

US00D505589S

(12) **United States Design Patent**
Hoff et al.

(10) **Patent No.:** **US D505,589 S**
(45) **Date of Patent:** **** May 31, 2005**

(54) **COOKING UTENSIL**

D442,431 S * 5/2001 Hoff et al. D7/409
6,269,737 B1 * 8/2001 Rigney et al. 99/339

(76) Inventors: **Susan K. Hoff**, 3285 Gold Dust St.
NE., Belmont, MI (US) 49306; **Bradley**
J. Pippel, 3251 Vermont, Grandville,
MI (US) 49418

OTHER PUBLICATIONS

The Wooden Spoon catalog; Sep. 15, 1995; p. 11; Item
F—Pasta Pot, insert with holes.*

(**) Term: **14 Years**

* cited by examiner

(21) Appl. No.: **29/177,097**

Primary Examiner—Caron D. Veynar

(22) Filed: **Mar. 4, 2003**

(57) **CLAIM**

(51) **LOC (7) Cl.** **07-02**

The ornamental design for a cooking utensil, as shown and
described.

(52) **U.S. Cl.** **D7/409; D7/354**

(58) **Field of Search** D7/323, 354–361,
D7/409; 99/339, 340, 403–418, 449, 450;
126/369, 373, 376, 377; 220/573.1, 573.4,
912, 525

DESCRIPTION

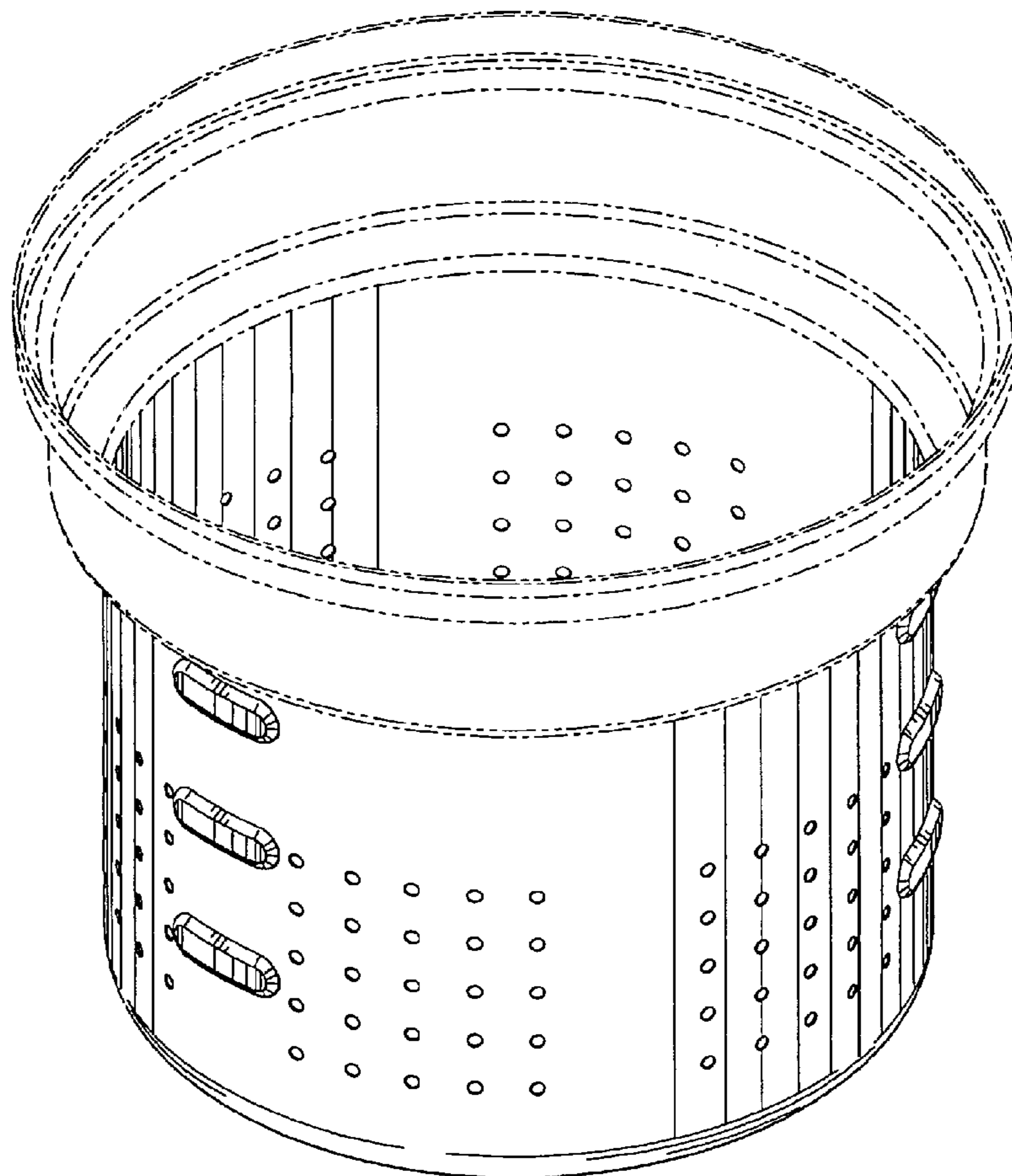
FIG. 1 is a perspective view of the cooking utensil;
FIG. 2 is a front elevation view thereof;
FIG. 3 is a left elevation view thereof;
FIG. 4 is a right elevational view thereof
FIG. 5 is a top plan view thereof; and,
FIG. 6 is a bottom plan view.
FIGS. 1–6 show portions of the cooking utensil in broken
lines. The broken lines are shown for illustrative purposes
only and do not form any part of the claimed design.

(56) **References Cited**

U.S. PATENT DOCUMENTS

- 166,102 A * 7/1875 Hennaman et al. 220/525
- 532,226 A * 1/1895 Baumgardner 99/407
- D296,287 S * 6/1988 Mueller D7/409
- D382,440 S * 8/1997 Fonville D7/360
- 6,055,901 A * 5/2000 Gantos et al. 99/412

1 Claim, 6 Drawing Sheets



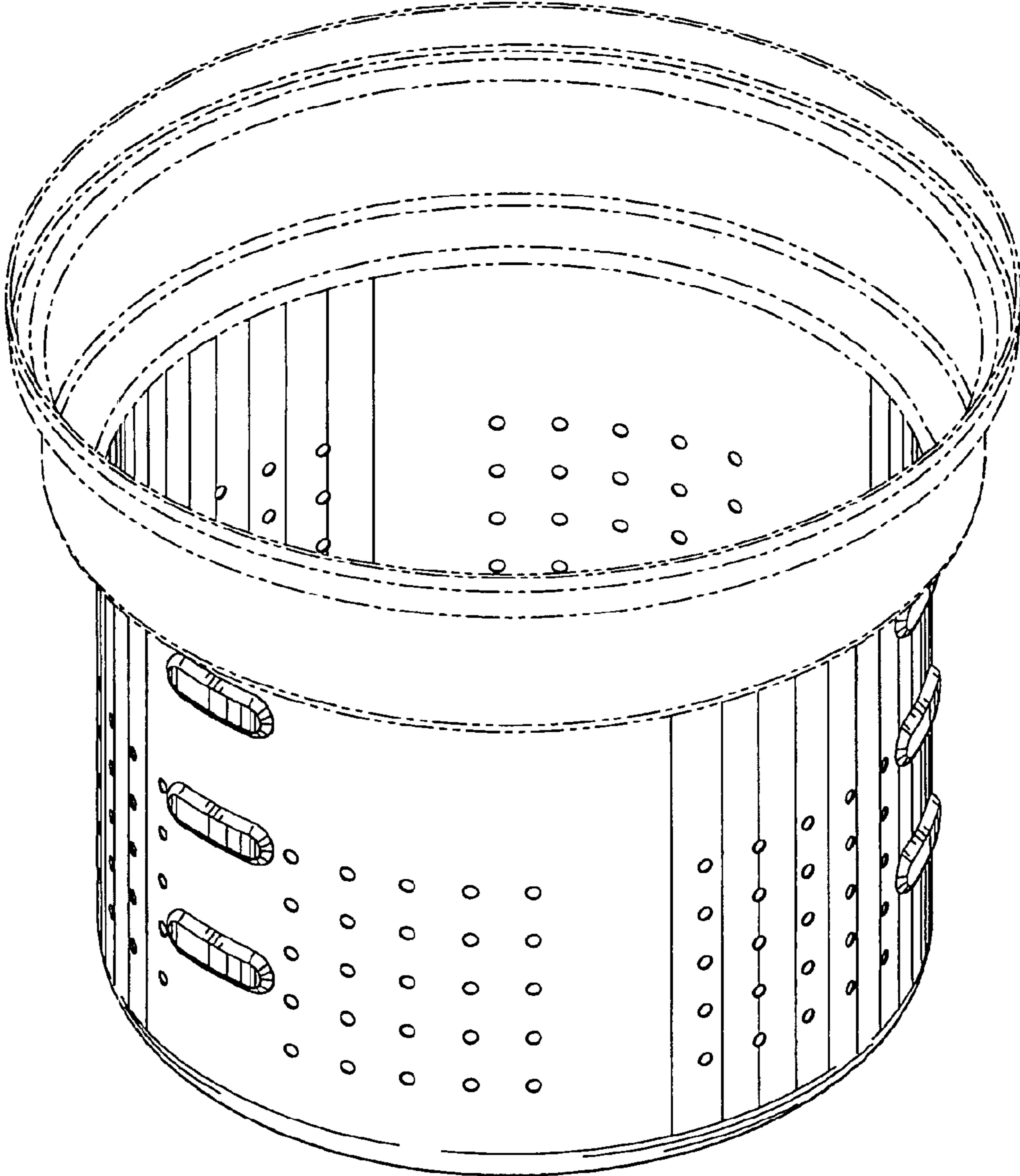


FIG. 1

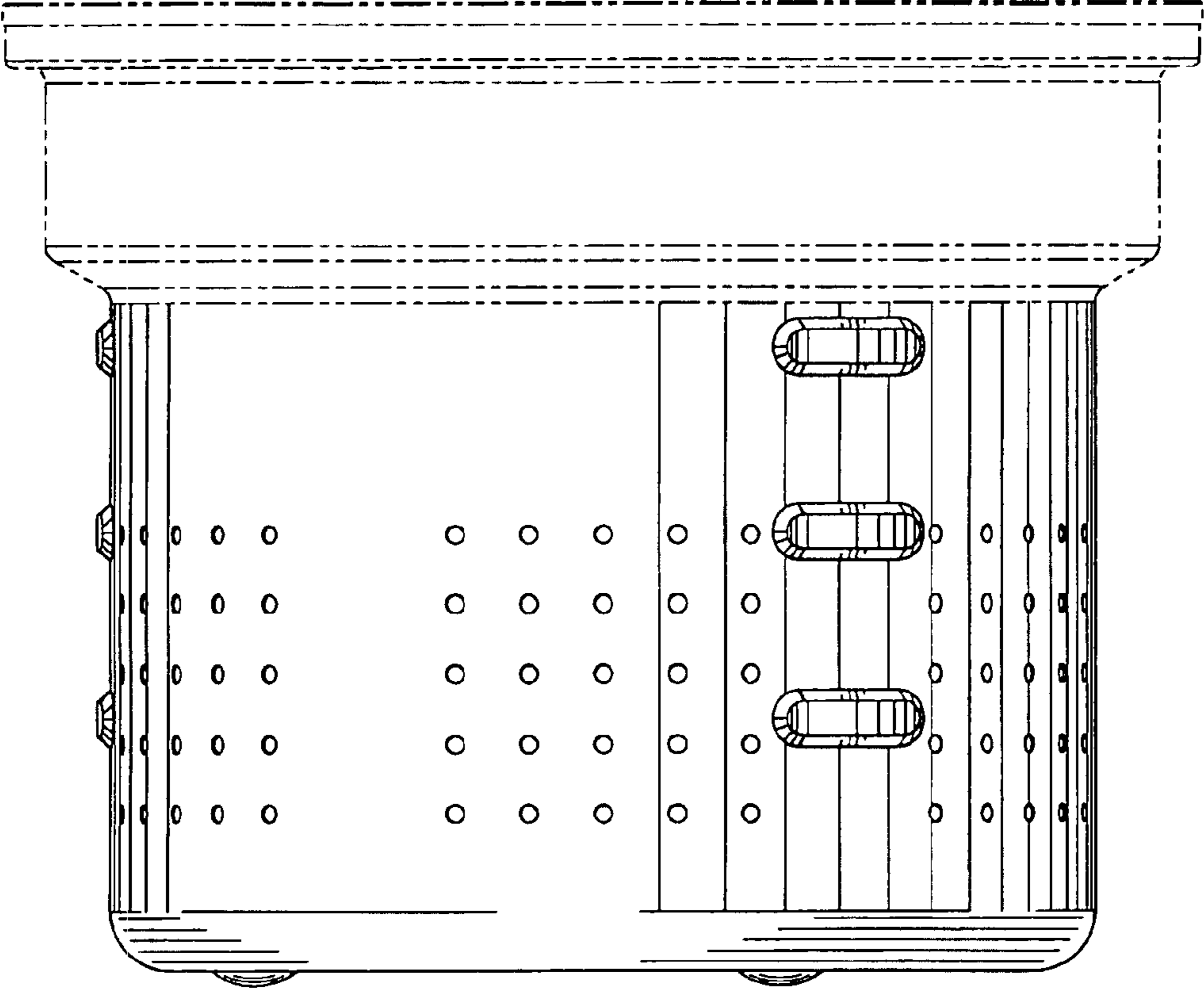


FIG. 2

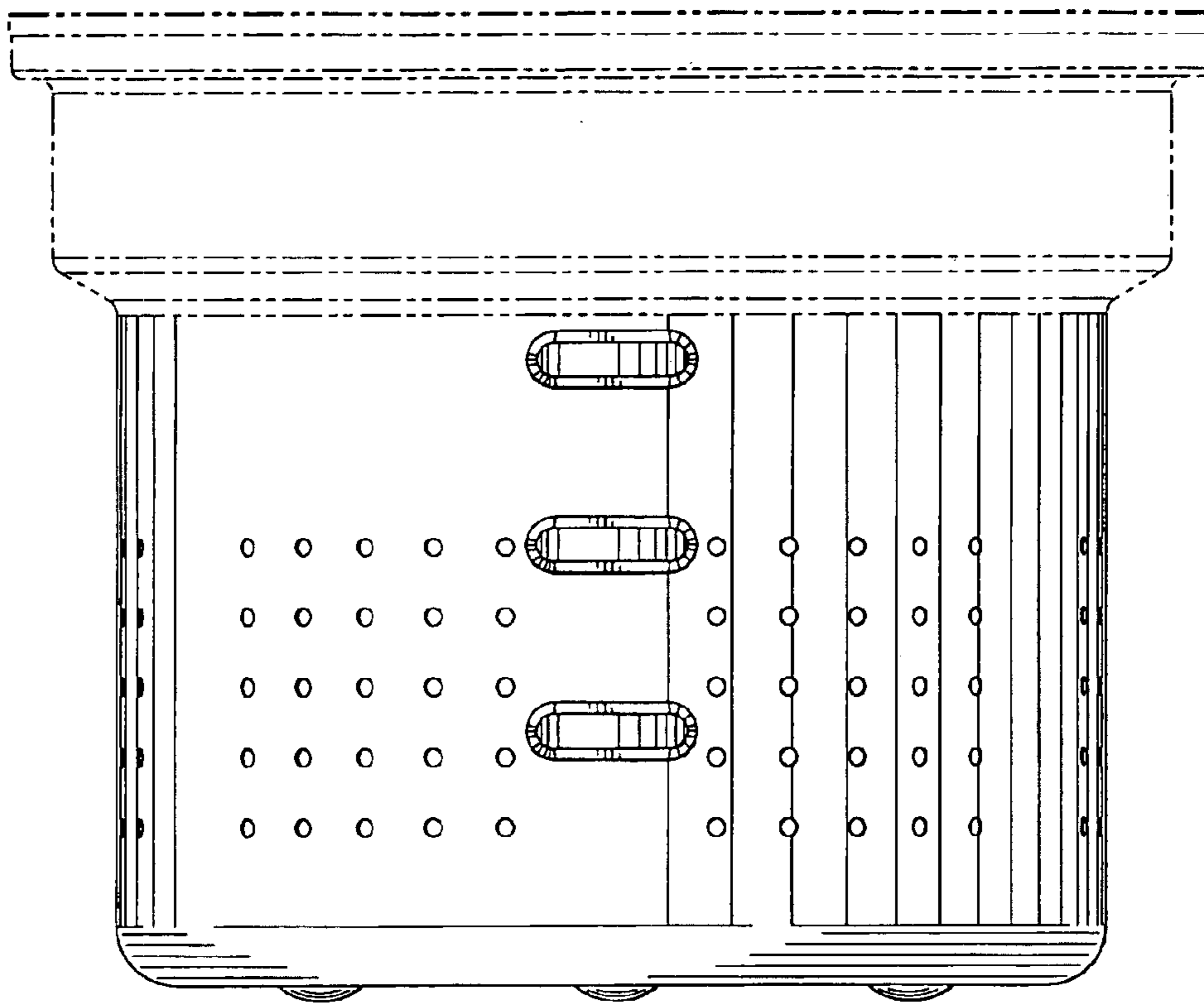


FIG. 3

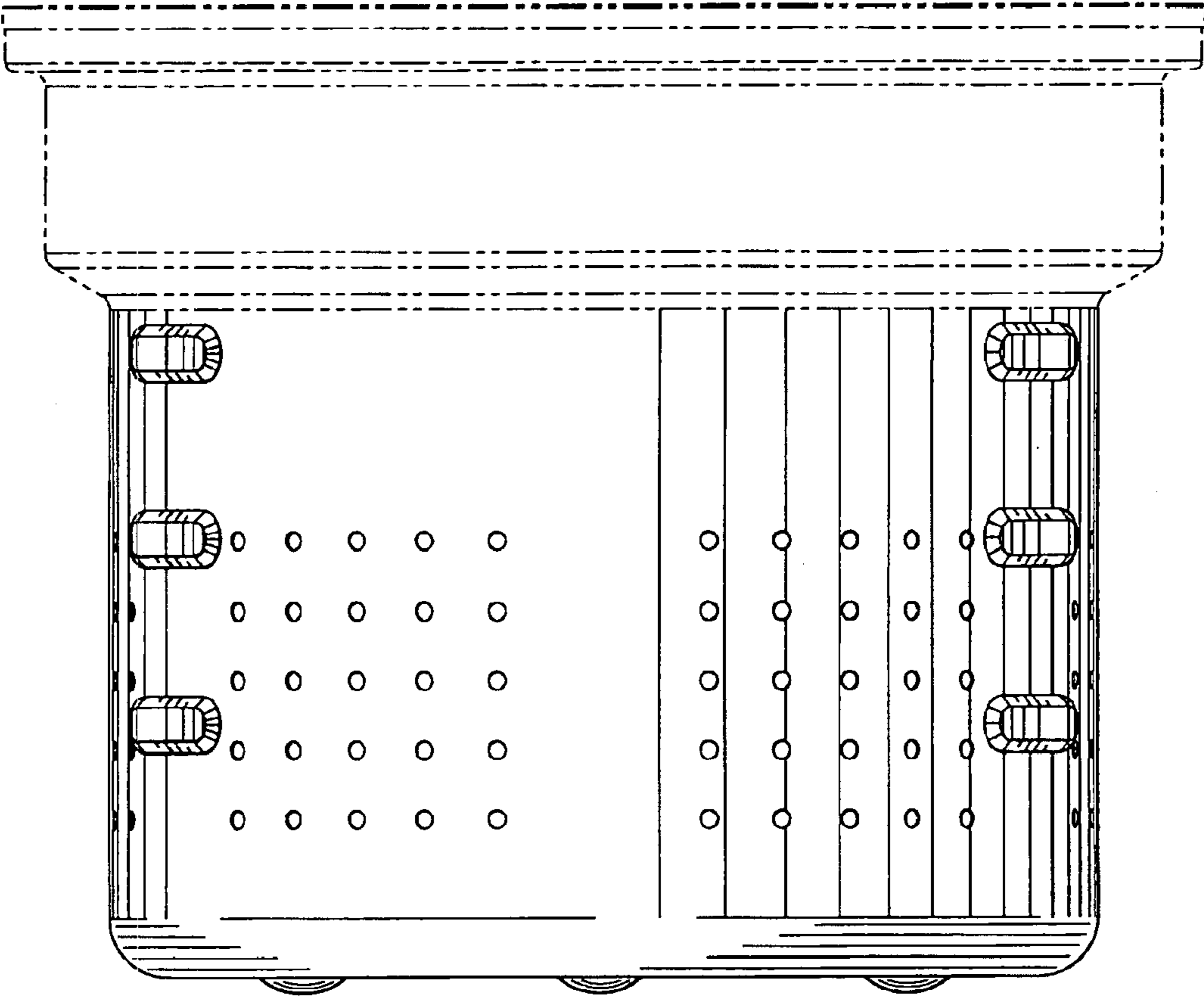


FIG. 4

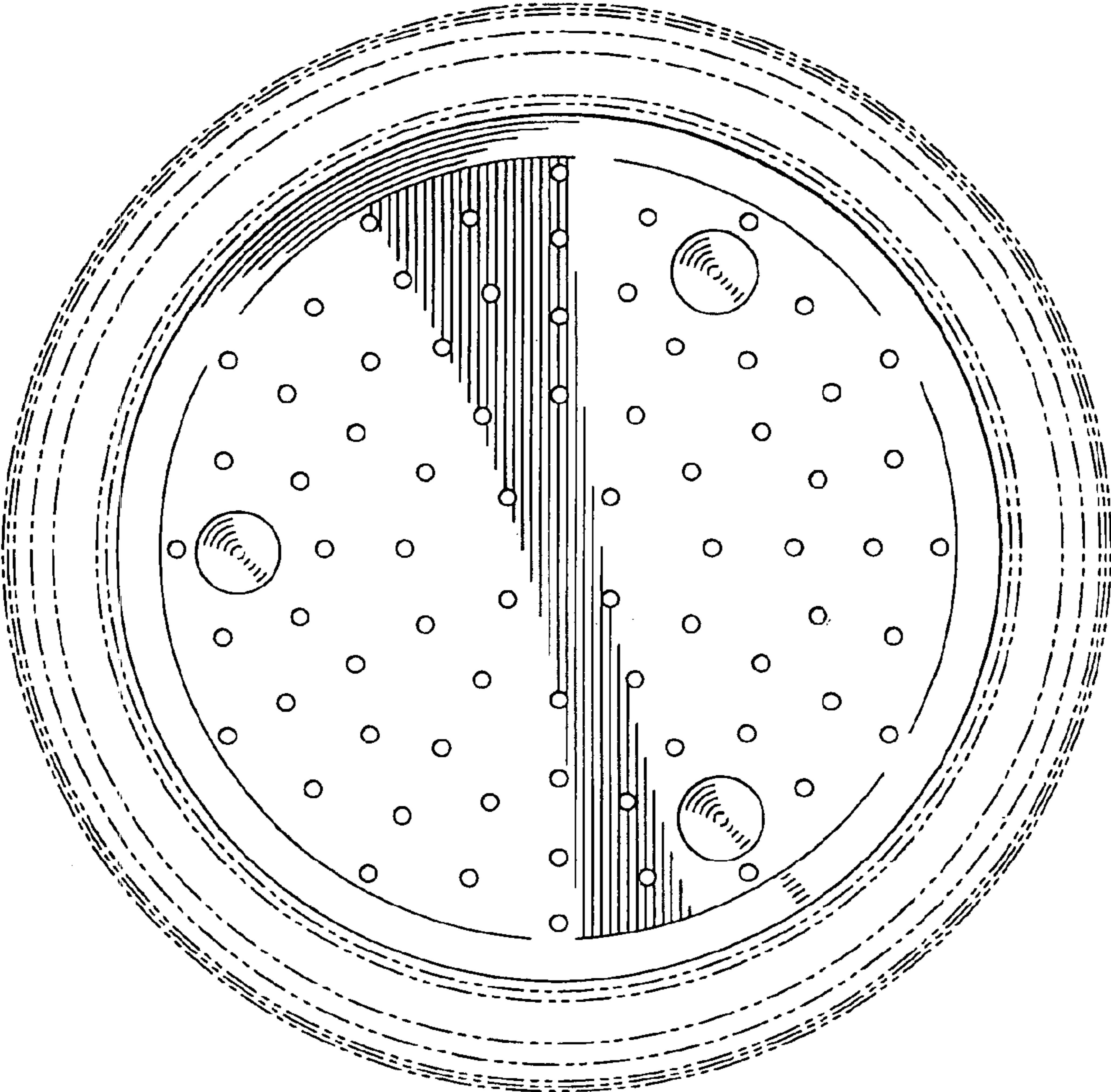


FIG. 5

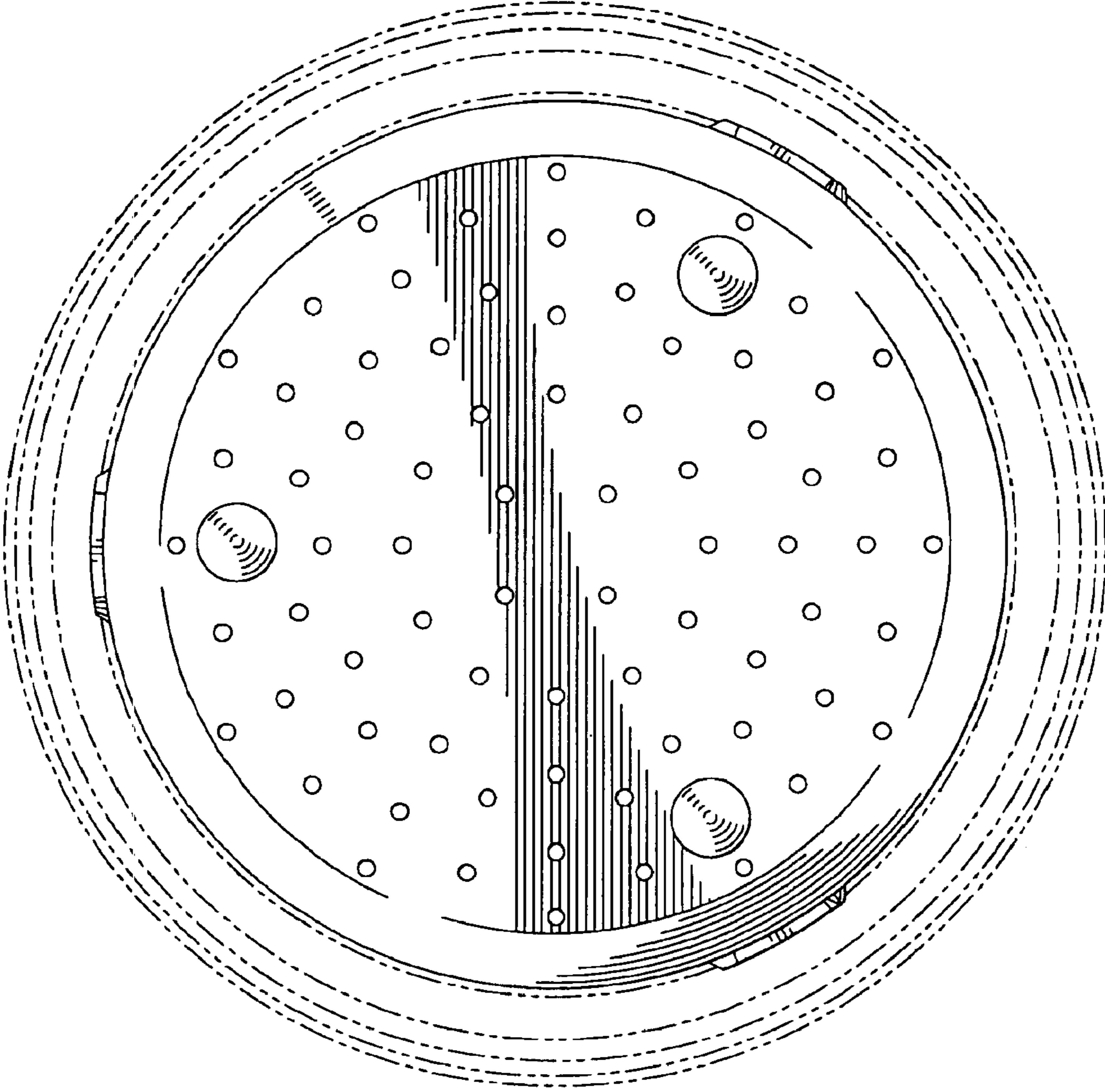


FIG. 6