



US00D505587S

(12) **United States Design Patent**
Sowden et al.

(10) **Patent No.:** **US D505,587 S**
(45) **Date of Patent:** **** May 31, 2005**

(54) **MIXER OF DIP TYPE**

(75) Inventors: **George J Sowden**, Milan (IT); **Hiroshi Ono**, Milan (IT)

(73) Assignee: **Fratelli Guzzini S.p.A.**,
Recanati-Macerata (IT)

(**) Term: **14 Years**

(21) Appl. No.: **29/187,161**

(22) Filed: **Jul. 29, 2003**

(30) **Foreign Application Priority Data**

Jan. 30, 2003 (IT) MI2003O0058

(51) **LOC (7) Cl.** **31-00**

(52) **U.S. Cl.** **D7/379; D7/376**

(58) **Field of Search** D7/376-380, 384,
D7/386, 412; D8/14, 61, 64, 68, 107; 241/33,
168, 169.1, 291, 301; 366/64, 100, 129,
279, 325.5, 330.3, 330.4

(56) **References Cited**

U.S. PATENT DOCUMENTS

D271,176 S * 11/1983 Zimnowicz D7/379

D361,241 S * 8/1995 Littmann D7/376
D383,938 S * 9/1997 Littmann D7/376
D392,504 S * 3/1998 Lallemand D7/376
D398,809 S * 9/1998 Henderson D7/376
D400,756 S * 11/1998 Henderson D7/376
D408,214 S * 4/1999 Cousins D7/376
D426,105 S * 6/2000 Littmann D7/376
D437,184 S * 2/2001 Cruz D7/379
D447,380 S * 9/2001 Feil D7/376
D456,206 S * 4/2002 Feil D7/376

* cited by examiner

Primary Examiner—Caron D. Veynar

(74) *Attorney, Agent, or Firm*—Hedman & Costigan, P.C.

(57) **CLAIM**

The ornamental design for a mixer of dip type, as shown and described.

DESCRIPTION

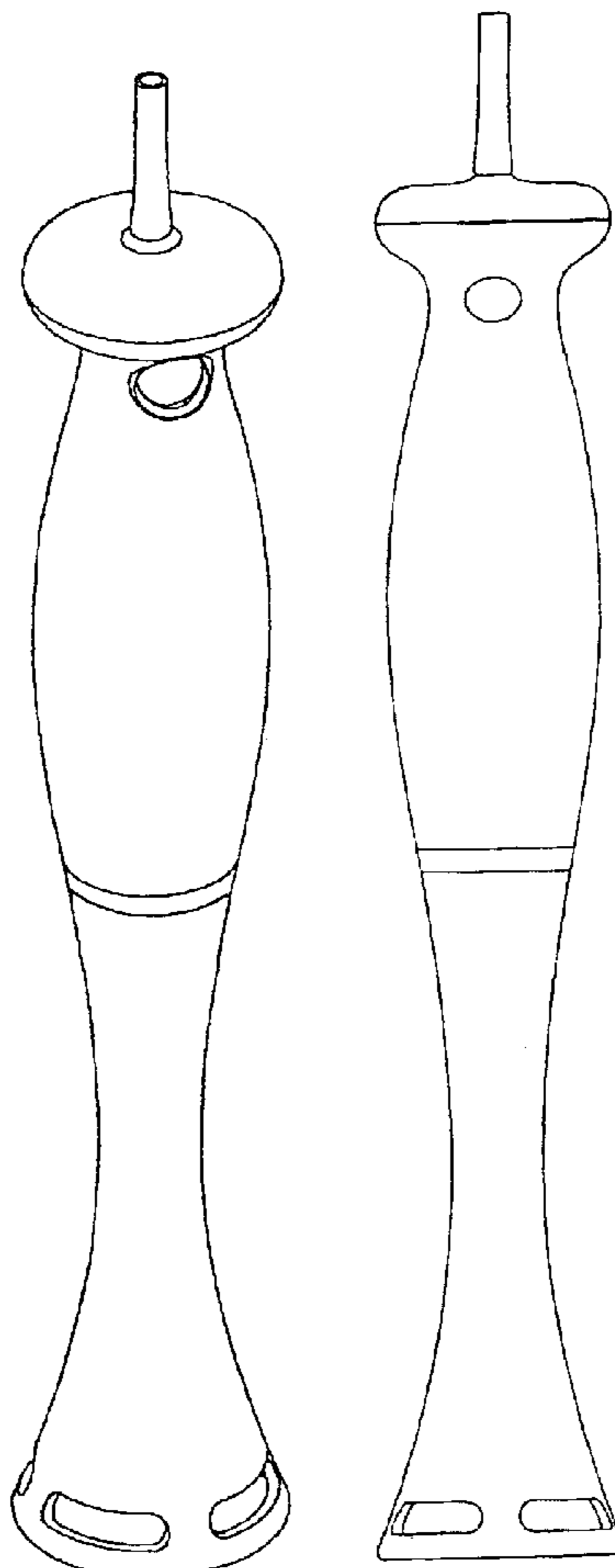
FIG. 1 is a perspective view of a mixer of dip type, showing our new design;

FIG. 2 is a front view thereof;

FIG. 3 is a top view thereof; and,

FIG. 4 is a front view thereof.

1 Claim, 1 Drawing Sheet



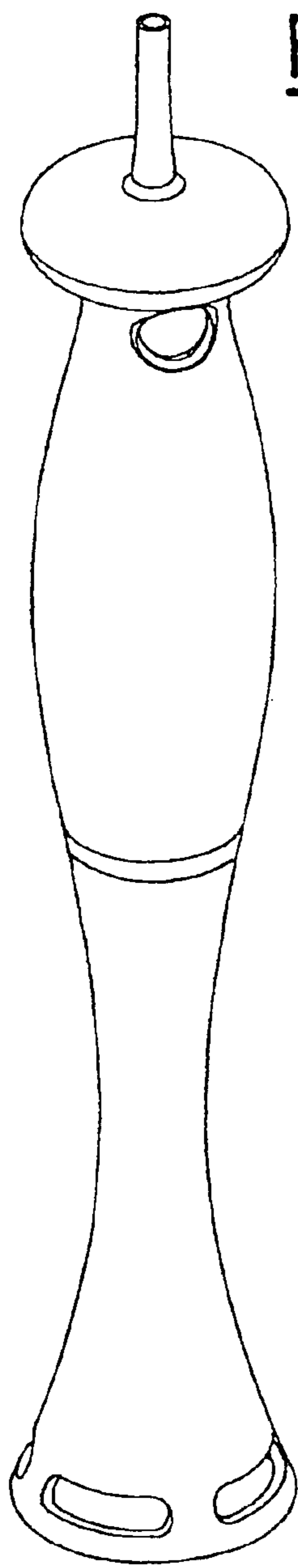


Fig. 1

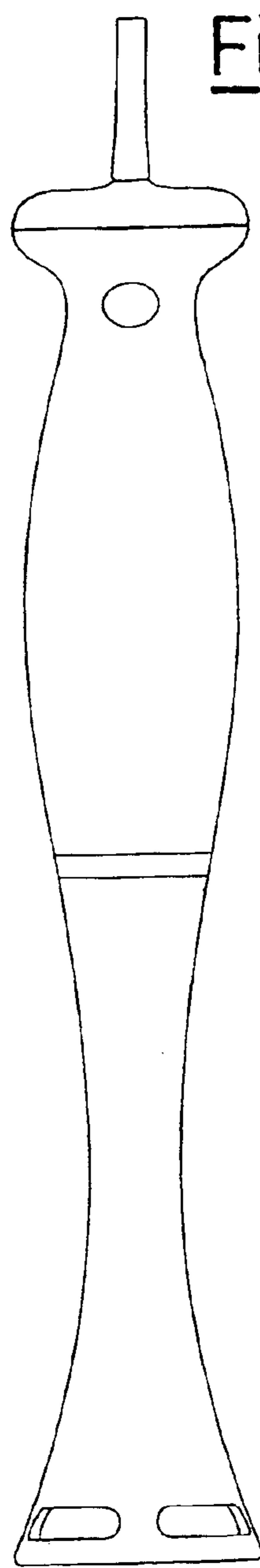


Fig. 2

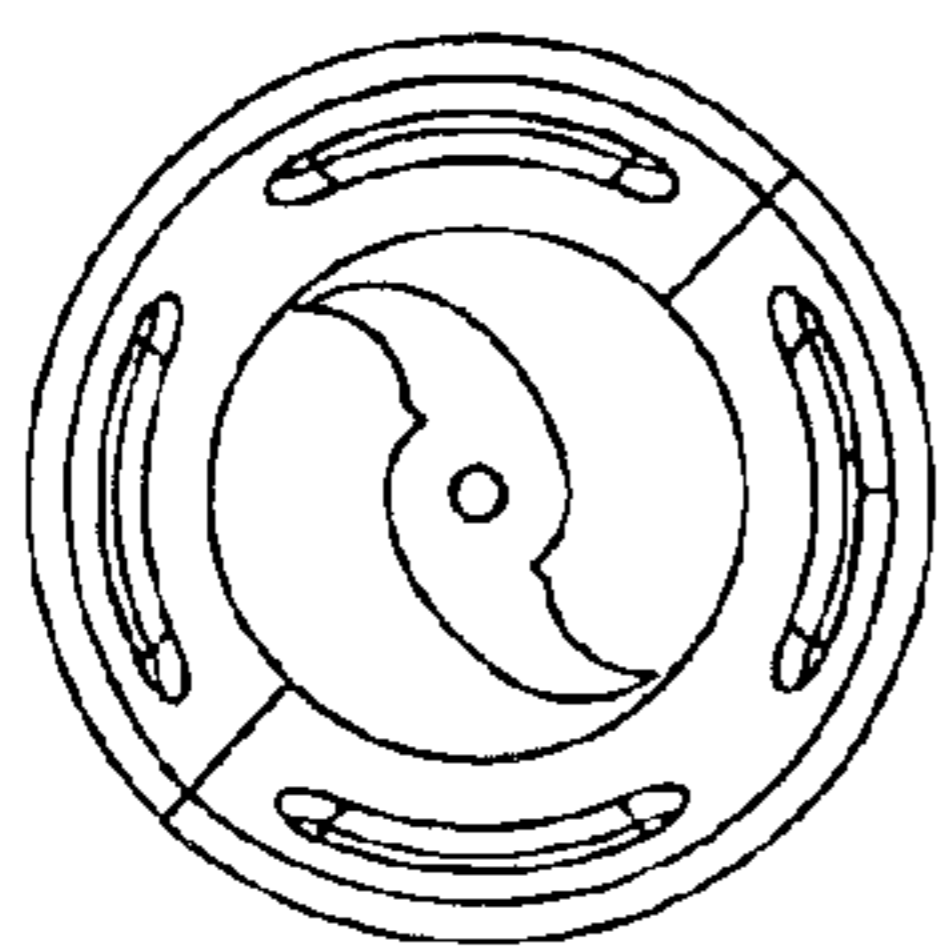


Fig. 4

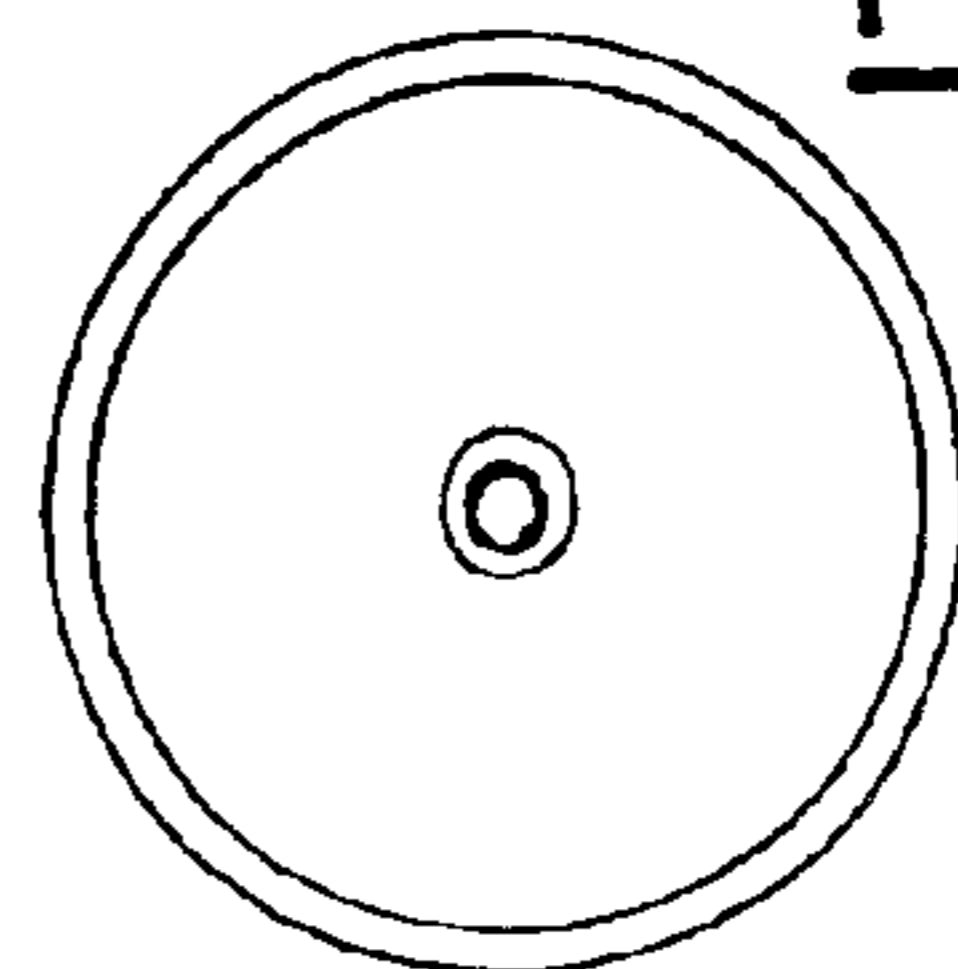


Fig. 3