

US00D505581S

(12) **United States Design Patent**  
**Glass et al.**

(10) **Patent No.:** **US D505,581 S**

(45) **Date of Patent:** **\*\* May 31, 2005**

(54) **BOOK TRAY**

(75) Inventors: **Peter Glass**, Arroyo Grande, CA (US);  
**Robert J. Mills**, Torrance, CA (US)

(73) Assignee: **Virco Mgmt. Corporation**, Torrance,  
CA (US)

(\*\*) Term: **14 Years**

(21) Appl. No.: **29/193,746**

(22) Filed: **Nov. 12, 2003**

(51) **LOC (7) Cl.** ..... **06-06**

(52) **U.S. Cl.** ..... **D6/510**

(58) **Field of Search** ..... D6/510, 511, 422,  
D6/425, 475; D3/304; D19/92; 312/194-196

(56) **References Cited**

**U.S. PATENT DOCUMENTS**

D216,710 S	3/1970	Lambert et al.	
D269,657 S	* 7/1983	Taylor	D6/510
D273,163 S	3/1984	Halme	
D275,918 S	* 10/1984	Taylor	D6/510
D288,160 S	2/1987	Maroney et al.	
D292,516 S	* 10/1987	Wolff	D15/89
D304,638 S	* 11/1989	Ireland	D3/304
5,069,466 A	* 12/1991	Propst	312/297
D322,993 S	* 1/1992	Hobson	D19/90
D348,904 S	* 7/1994	Linder	D19/92
D352,845 S	11/1994	Hellwig et al.	
5,401,096 A	3/1995	Stang	
D364,057 S	* 11/1995	Bowman	D6/511
D375,856 S	* 11/1996	Martin	D6/511
5,613,448 A	3/1997	Petty	
D383,924 S	9/1997	Dormon et al.	

D398,452 S	9/1998	Reddig	
5,845,586 A	12/1998	Moore	
D406,698 S	* 3/1999	Miller	D3/307
D427,804 S	7/2000	Olson	
D435,366 S	12/2000	McClintock et al.	
D435,989 S	* 1/2001	Hunt	D6/511
D470,349 S	2/2003	Risdall	
D473,068 S	4/2003	Holbrook et al.	
D473,399 S	4/2003	Holbrook et al.	
D474,044 S	5/2003	Holbrook et al.	
D474,356 S	5/2003	Bosman et al.	
D480,583 S	10/2003	Risdall	

\* cited by examiner

*Primary Examiner*—Cathron Brooks

(74) *Attorney, Agent, or Firm*—Denton L. Anderso;  
Sheldon & Mak; Robert M. Hupe

(57) **CLAIM**

The ornamental design for a book tray, as shown and described.

**DESCRIPTION**

FIG. 1 is a first perspective view of the book tray of the invention;

FIG. 2 is a second perspective view of the book tray illustrated in FIG. 1;

FIG. 3 is a front view of the book tray illustrated in FIG. 1;

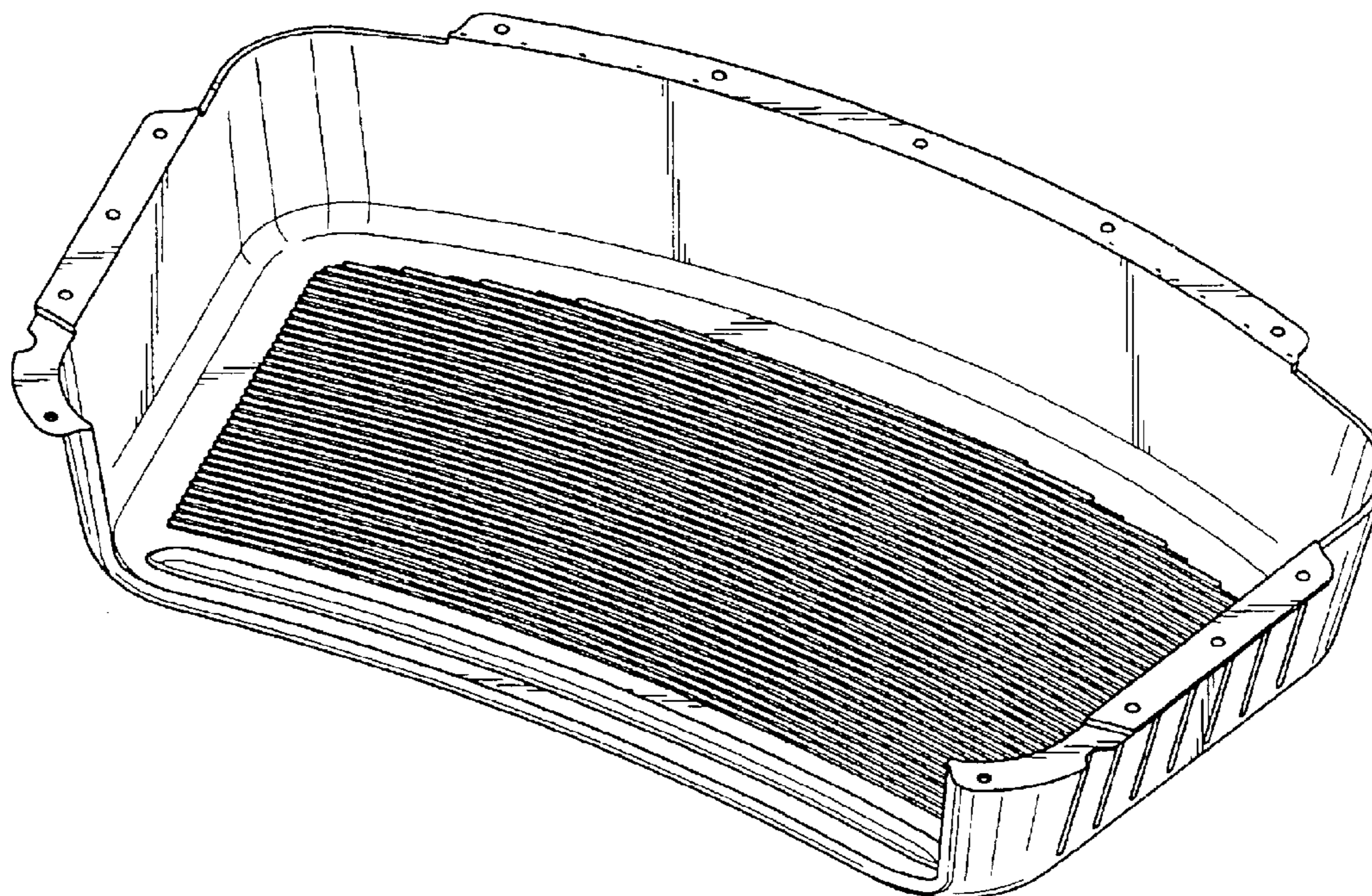
FIG. 4 is a side view of the book tray illustrated in FIG. 1;

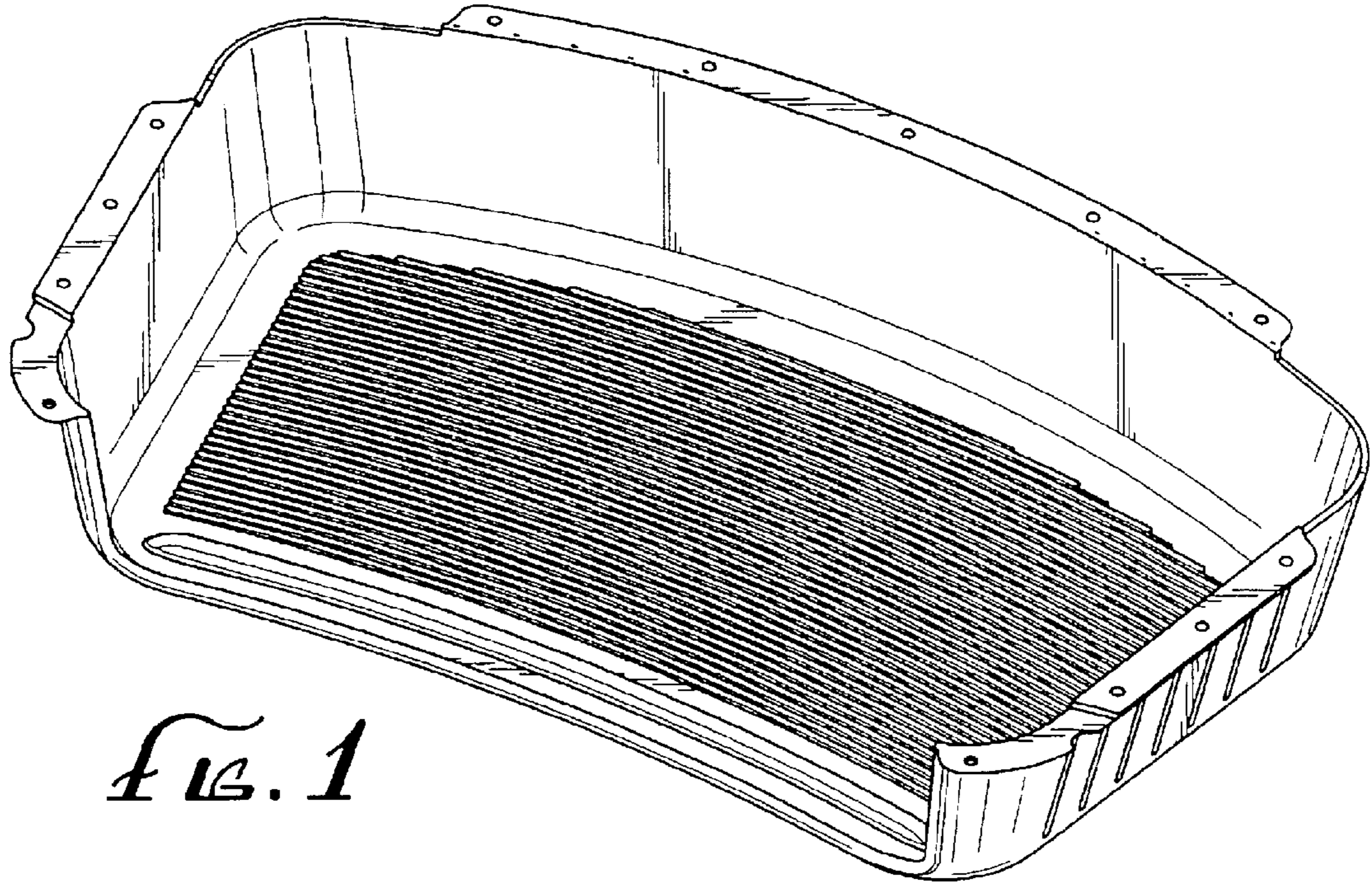
FIG. 5 is a bottom view of the book tray illustrated in FIG. 1;

FIG. 6 is a top side view of the book tray illustrated in FIG. 1; and,

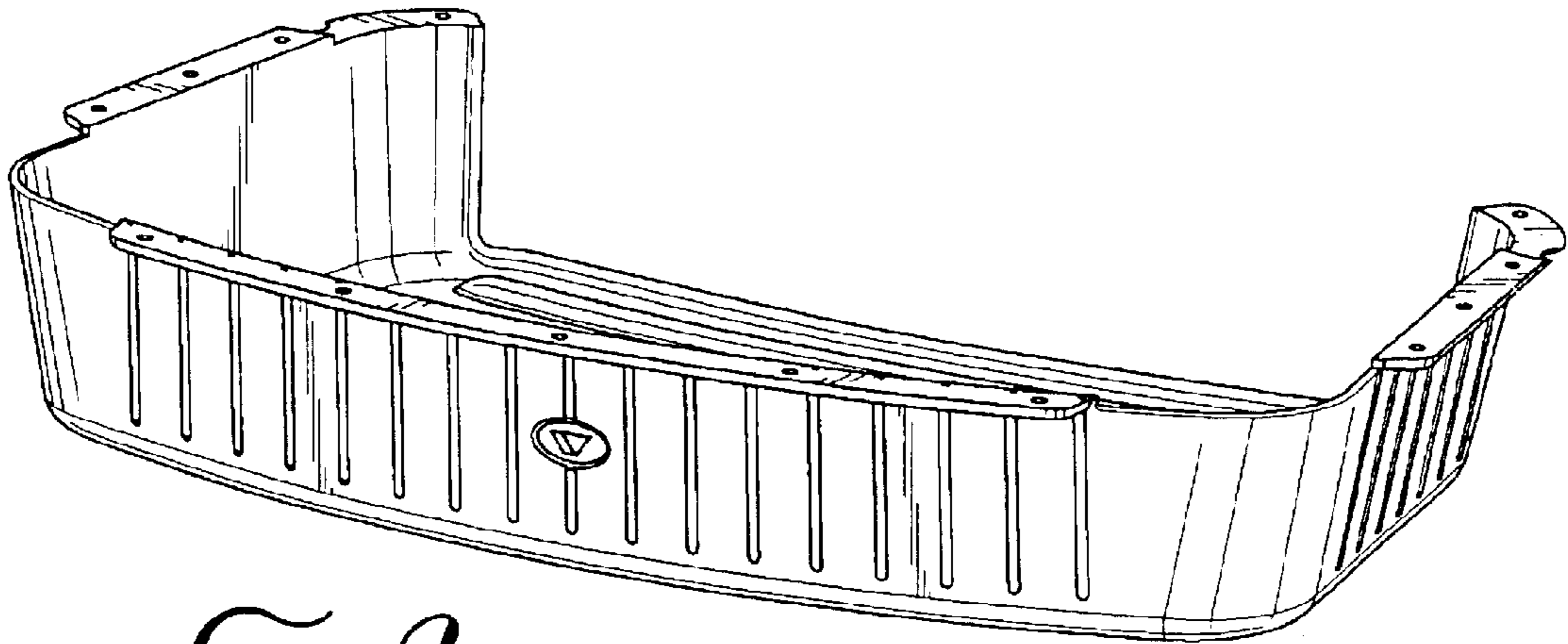
FIG. 7 is a rear view of the book tray illustrated in FIG. 1.

**1 Claim, 3 Drawing Sheets**





*FIG. 1*



*FIG. 2*

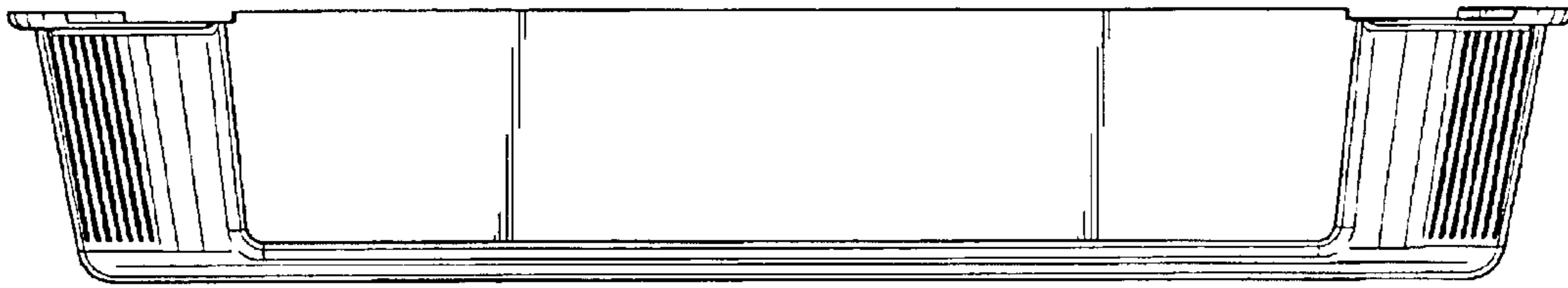


FIG. 3

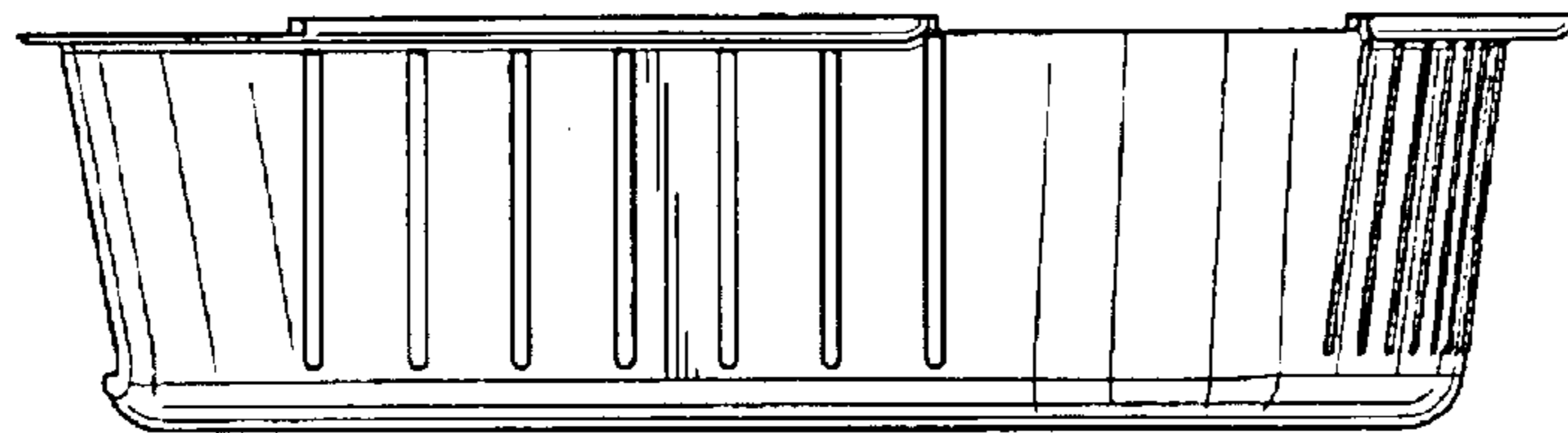


FIG. 4

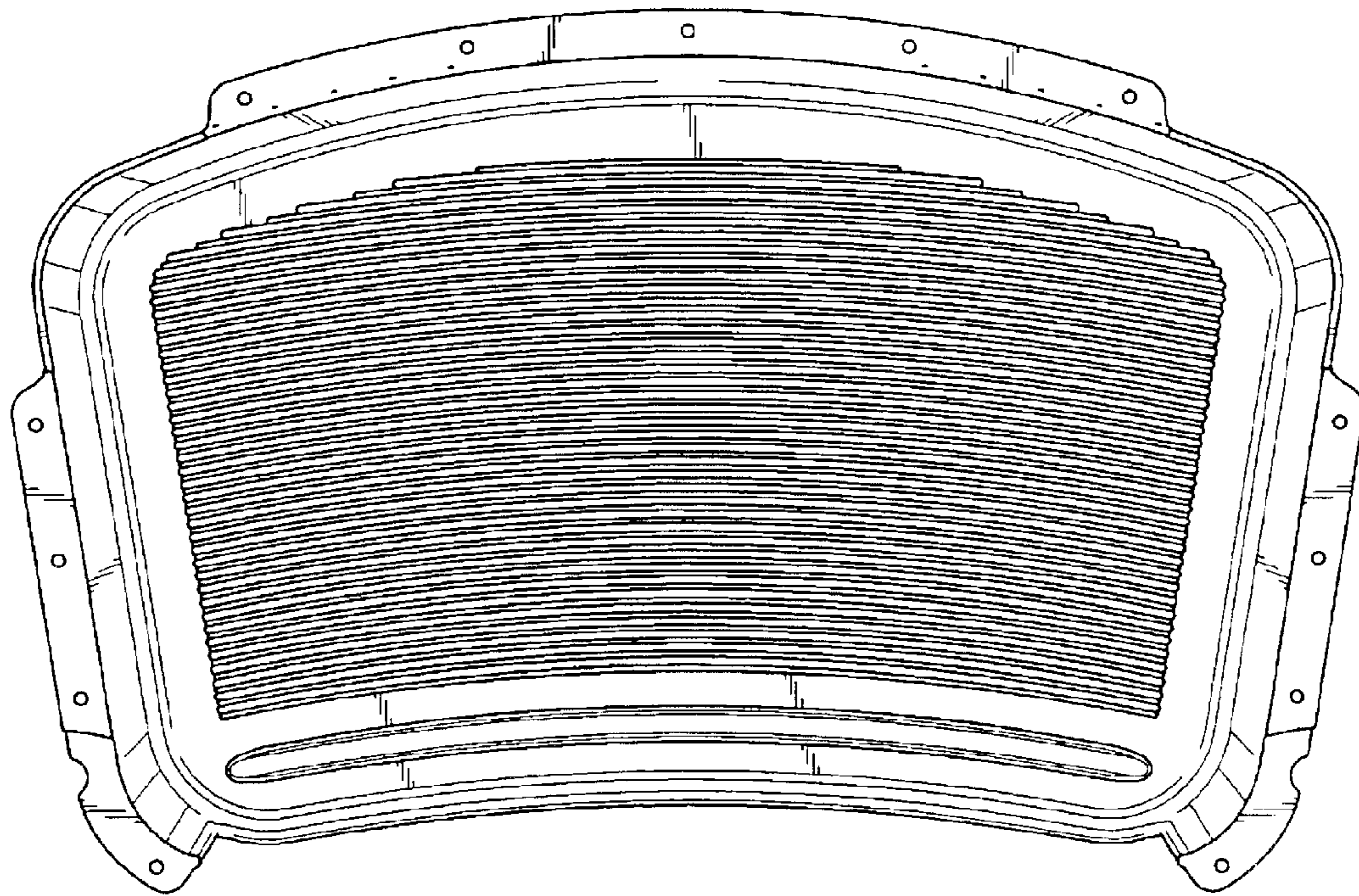


FIG. 5

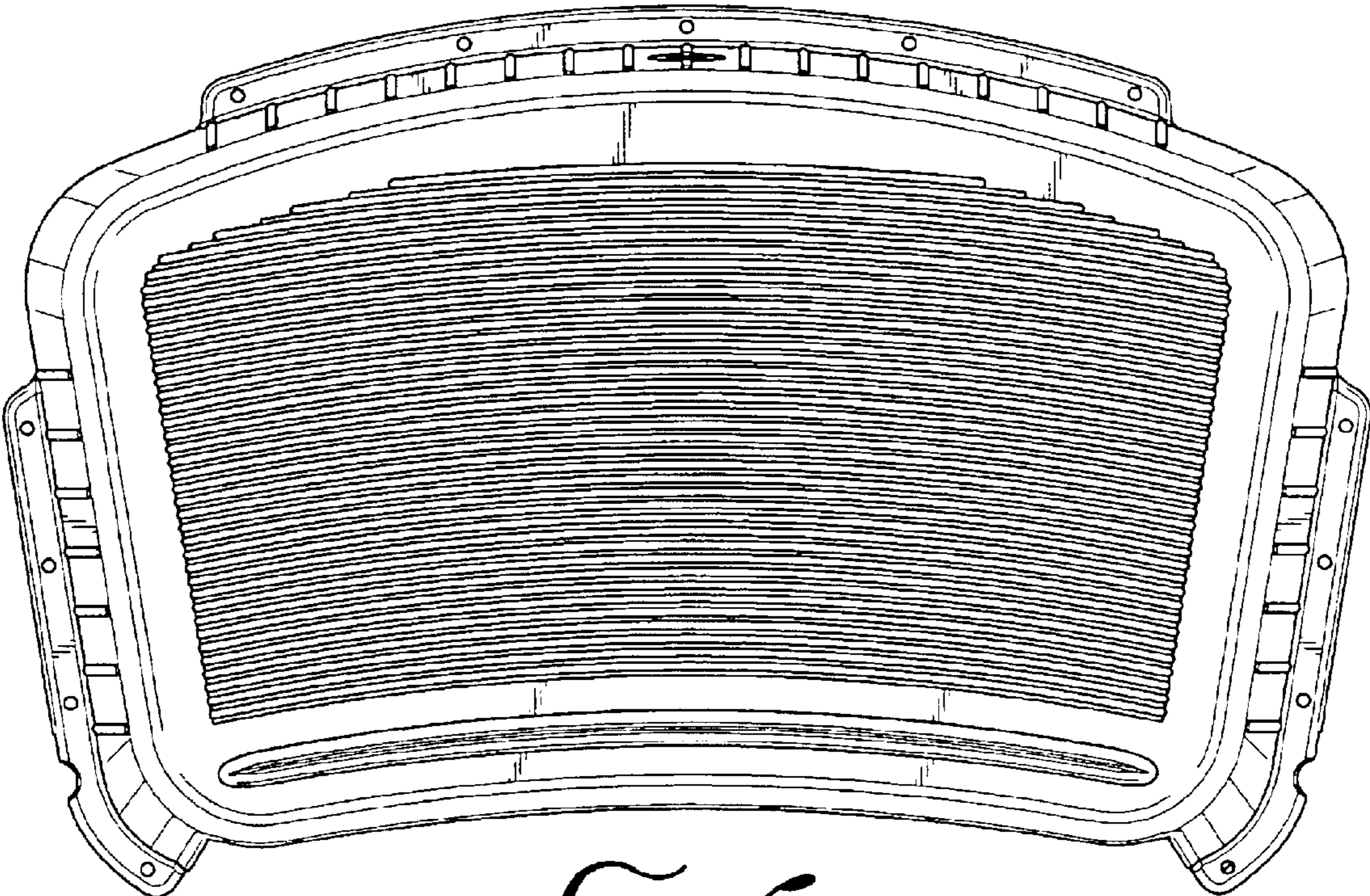


FIG. 6

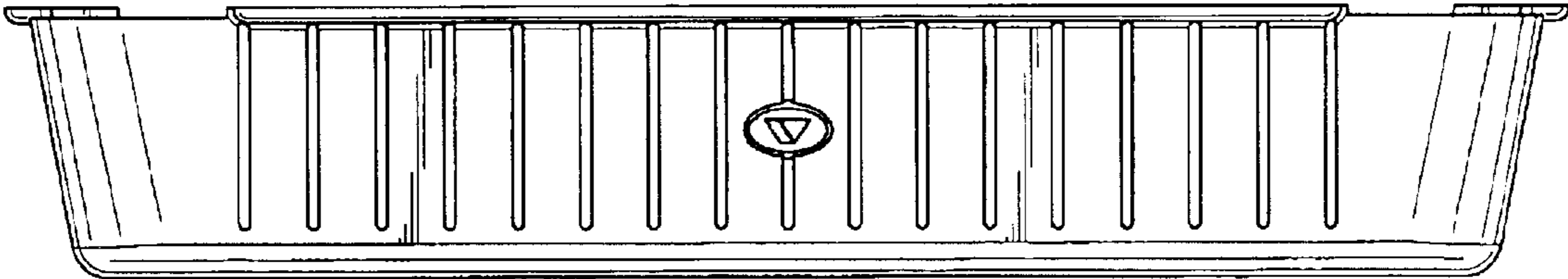


FIG. 7