

US00D505579S

(12) **United States Design Patent** (10) **Patent No.:** **US D505,579 S**
Koepke et al. (45) **Date of Patent:** **** May 31, 2005**

- (54) **ARM SUPPORT FOR A CHAIR**
- (75) Inventors: **Marcus C. Koepke**, Indianapolis, IN (US); **Brian R. Trego**, Muscatine, IA (US); **Jay R. Machael**, Muscatine, IA (US)
- (73) Assignee: **Hon Technology Inc.**, Muscatine, IA (US)
- (**) Term: **14 Years**
- (21) Appl. No.: **29/196,622**
- (22) Filed: **Dec. 30, 2003**
- (51) **LOC (7) Cl.** **06-01**
- (52) **U.S. Cl.** **D6/501; D6/366**
- (58) **Field of Search** D6/334, 335, 364, D6/365, 366, 367, 500-502; 297/411.2, 411.27, 411.36

- D417,793 S 12/1999 Ritch et al.
D423,259 S 4/2000 Grove
D437,497 S * 2/2001 Brauning D6/366
D446,955 S * 8/2001 Zemp D6/366
D471,744 S 3/2003 Lind
D472,409 S 4/2003 Lind
D479,656 S * 9/2003 Ma D6/366
D488,652 S * 4/2004 Lee D6/501
D490,621 S * 6/2004 Newhouse D6/366

* cited by examiner

Primary Examiner—Gary D. Watson
(74) *Attorney, Agent, or Firm*—Ronald A. Sandler; Jones Day

(57) **CLAIM**

We claim the ornamental design for an arm support for a chair, as shown and described.

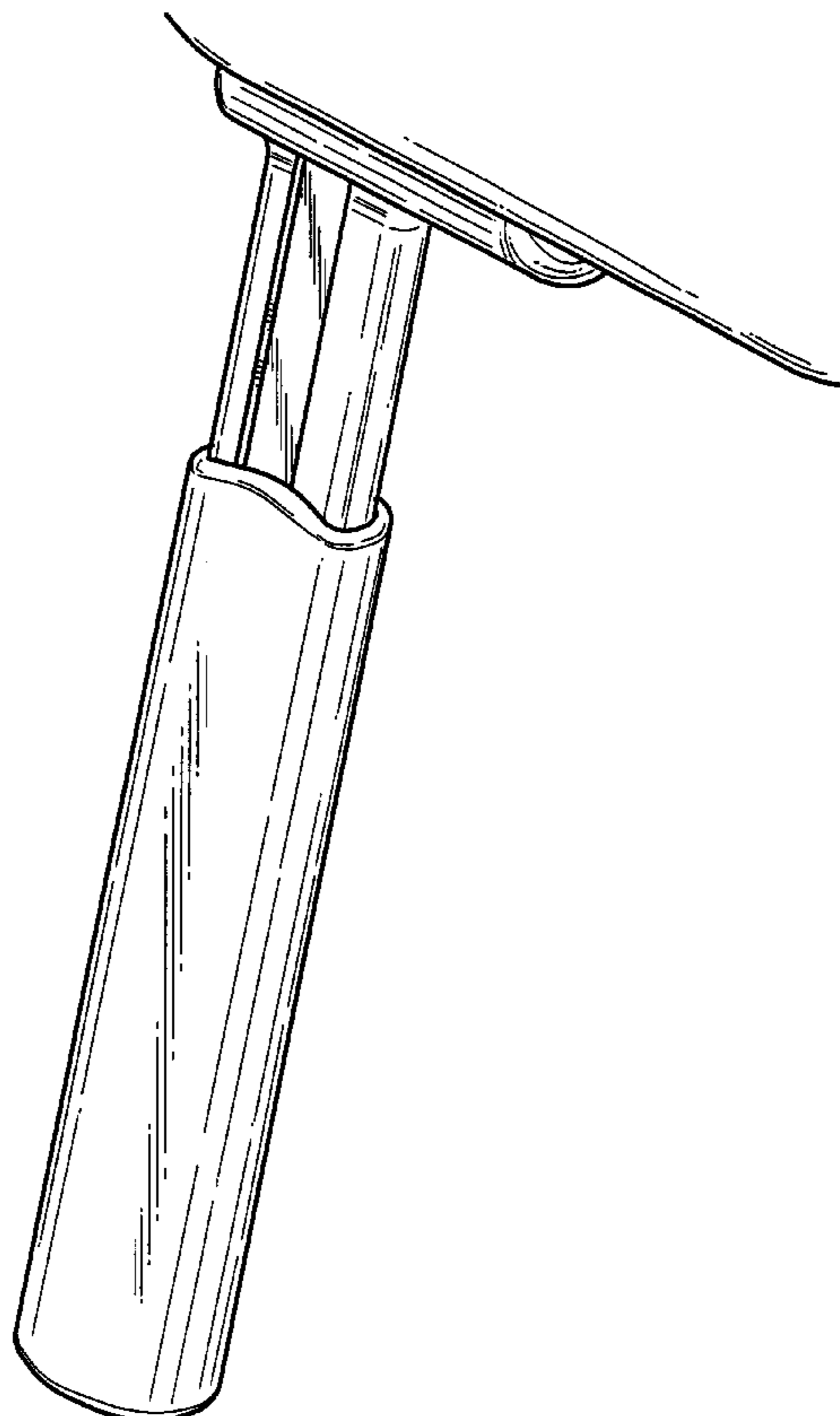
DESCRIPTION

FIG. 1 is a front perspective view of the arm support for a chair in a first position;
FIG. 2 is a side elevational view of the arm support in a second position;
FIG. 3 is a front elevational view of the arm support;
FIG. 4 is a rear elevational view of the arm support;
FIG. 5 is a top plan view of the arm support; and,
FIG. 6 is a bottom view of the arm support.
The broken lines shown are for environmental illustrative purposes only, and form no part of the claimed design.

1 Claim, 4 Drawing Sheets

(56) **References Cited**
U.S. PATENT DOCUMENTS

- D277,916 S 3/1985 Aronowitz et al.
D367,980 S 3/1996 Hodge et al.
D371,474 S 7/1996 Koopman
D383,322 S 9/1997 Dammermann et al.
5,921,630 A * 7/1999 Cassaday 297/411.36
D416,407 S 11/1999 Baumann et al.
D417,101 S 11/1999 DeSanta et al.
D417,349 S 12/1999 Donati



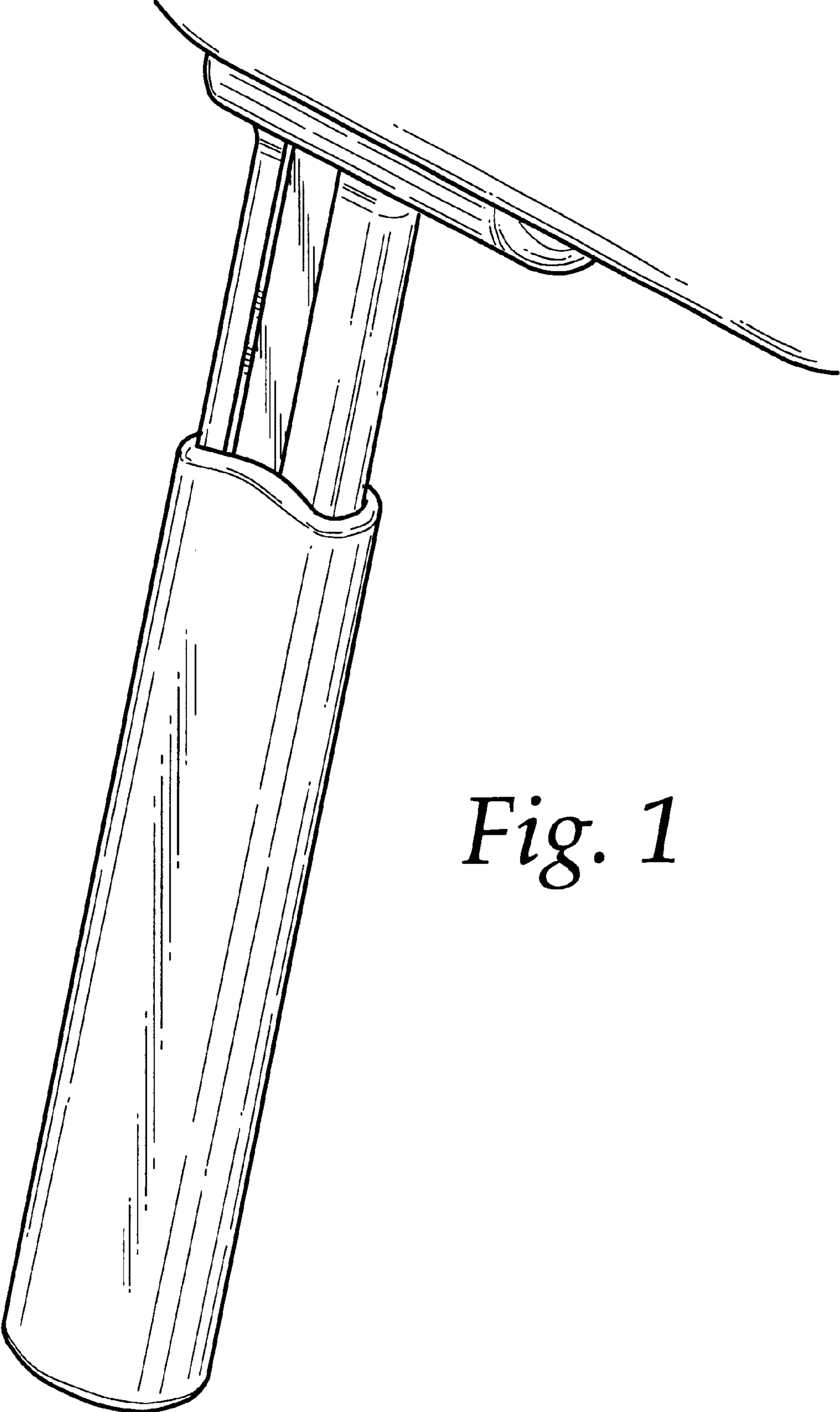


Fig. 1

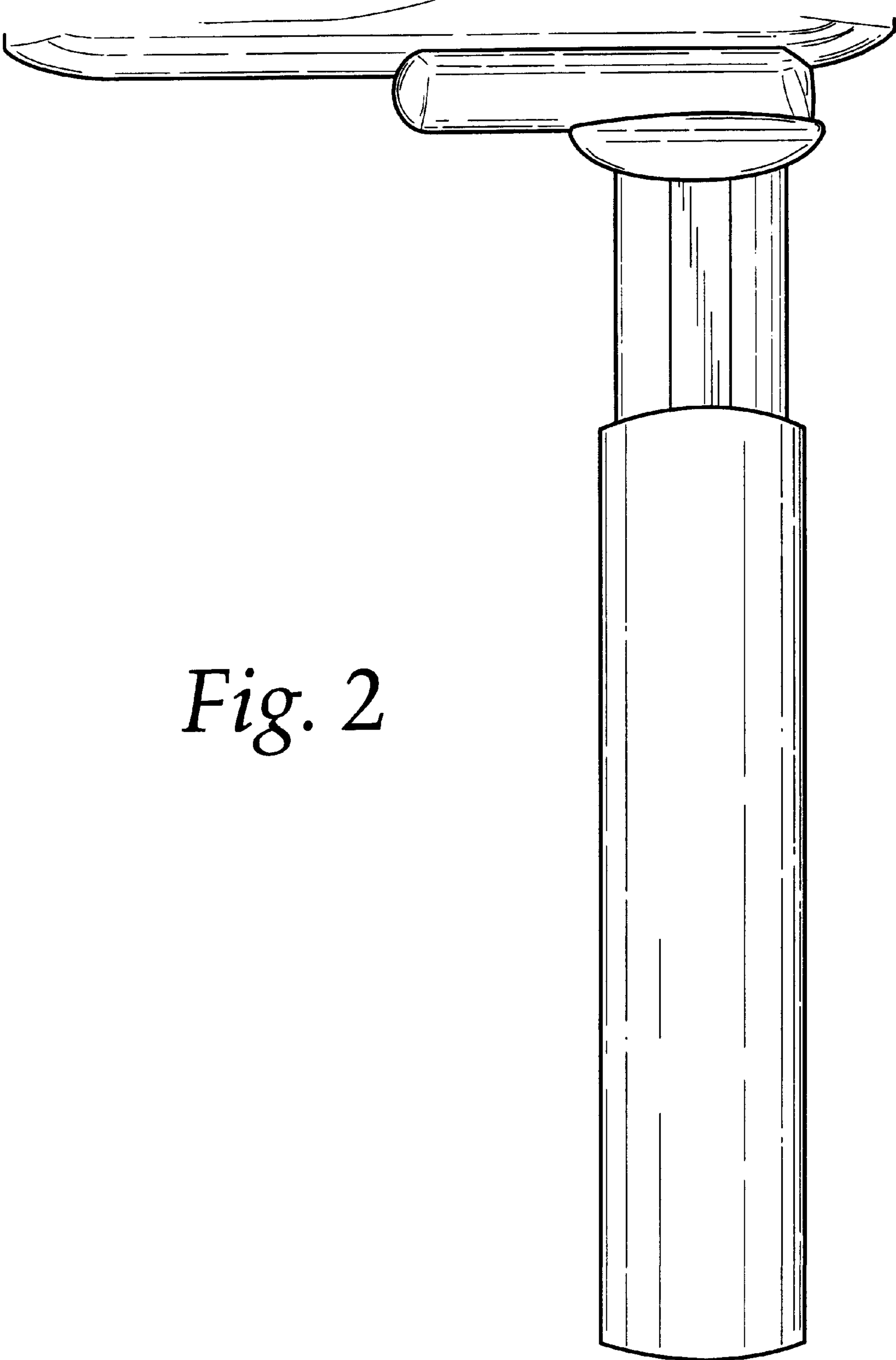


Fig. 2

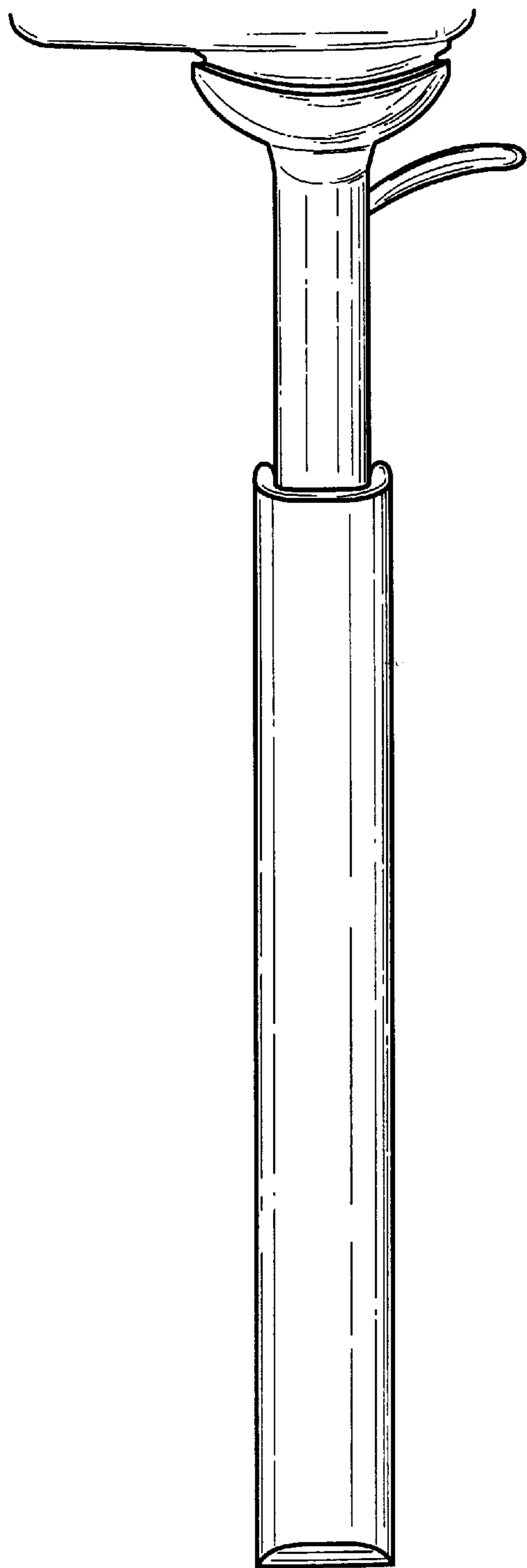


Fig. 3

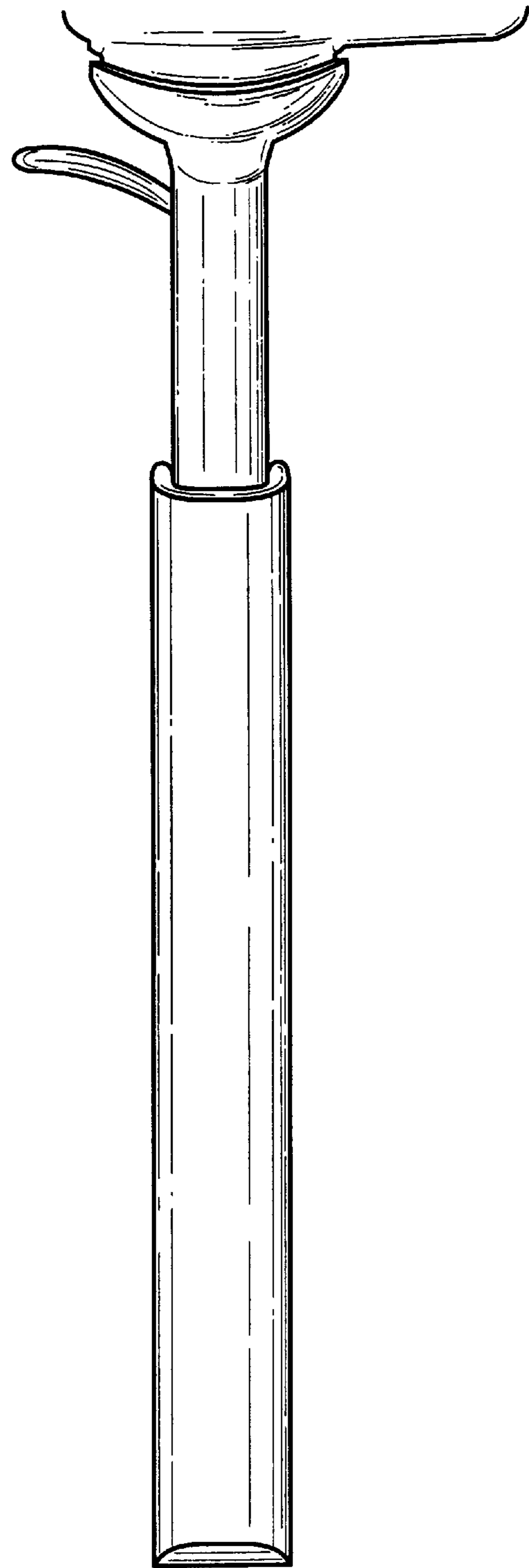


Fig. 4



Fig. 5

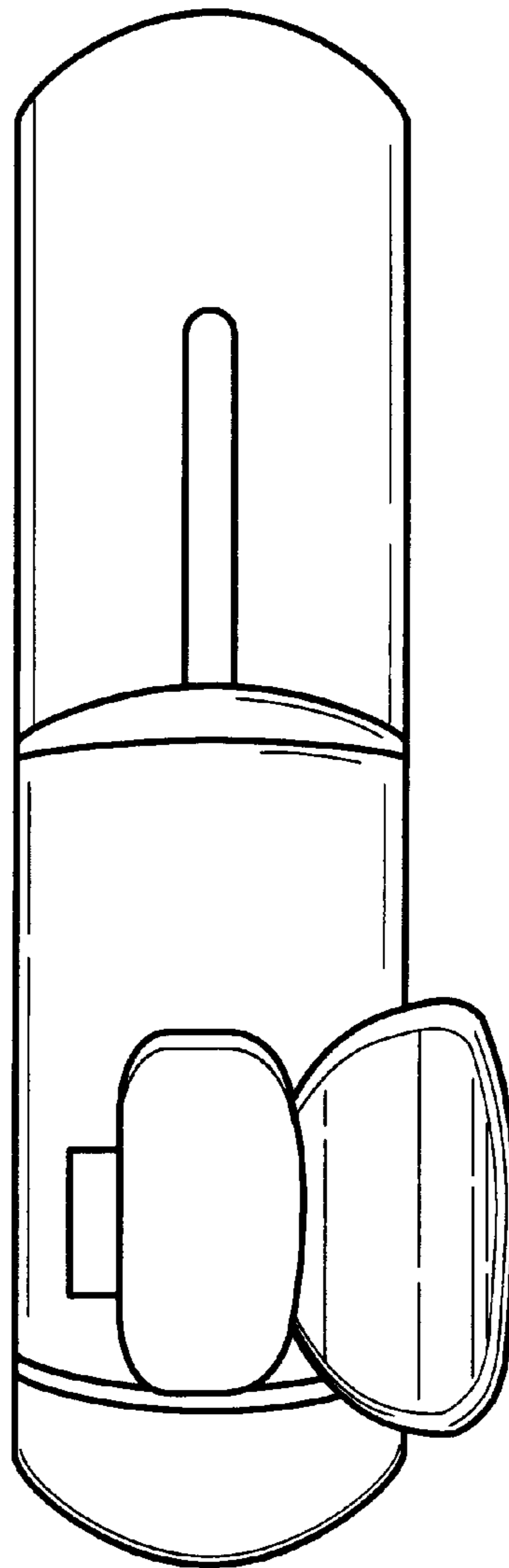


Fig. 6