

US00D505578S

(12) **United States Design Patent**
Chen

(10) **Patent No.: US D505,578 S**

(45) **Date of Patent: ** May 31, 2005**

(54) **JOINT OF HIGH CHAIR**

(75) Inventor: **Shun-Min Chen**, Taipei Hsien (TW)

(73) Assignee: **Wonderland Nurserygoods Co., Ltd.**,
Neihu Taiwan (CN)

(**) Term: **14 Years**

(21) Appl. No.: **29/193,560**

(22) Filed: **Nov. 12, 2003**

(51) **LOC (7) Cl.** **06-06**

(52) **U.S. Cl.** **D6/500; D6/333**

(58) **Field of Search** D6/333-336, 344,
D6/347, 390, 391, 491, 500-502; 297/148,
149, 153, 174, 273, 279, 281, 250.1, 467;
472/118, 119

(56) **References Cited**

U.S. PATENT DOCUMENTS

D293,046 S	*	12/1987	Riehm	D6/347
D368,816 S	*	4/1996	Mitchell et al.	D6/500
5,769,727 A	*	6/1998	Fair et al.	472/118
D426,965 S	*	6/2000	Wu	D6/339
D428,268 S	*	7/2000	Fair	D6/344
6,126,236 A	*	10/2000	Wu	297/148
6,251,023 B1	*	6/2001	Lauro et al.	472/118
6,421,901 B2	*	7/2002	Sitarski et al.	472/119
D477,719 S	*	7/2003	Chaudeurge	D6/347

* cited by examiner

Primary Examiner—Mimosa De

(74) *Attorney, Agent, or Firm*—Scully, Scott, Murphy & Presser

(57) **CLAIM**

The ornamental design for a joint of high chair, as shown and described.

DESCRIPTION

FIG. 1 is a perspective view of a joint of a high chair, showing my new design;

FIG. 2 is a front elevation view of the joint of the high chair shown in FIG. 1;

FIG. 3 is a rear elevation view of the joint of the high chair shown in FIG. 1;

FIG. 4 is a right-side elevation view of the joint of the high chair shown in FIG. 1;

FIG. 5 is a left-side elevation view of the joint of the high chair shown in FIG. 1;

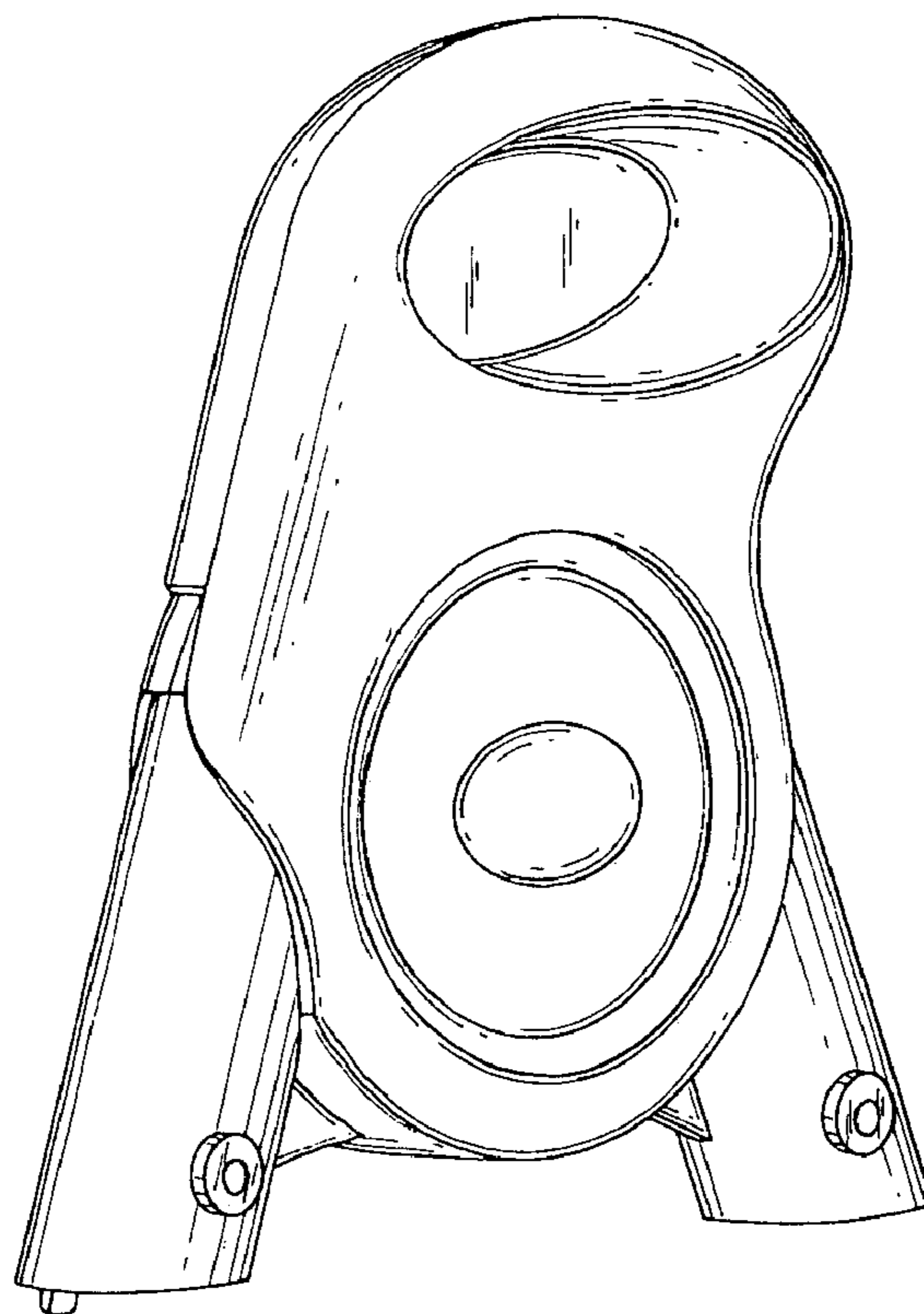
FIG. 6 is a top plan view of the joint of the high chair shown in FIG. 1;

FIG. 7 is a bottom plan view of the joint of the high chair shown in FIG. 1; and,

FIG. 8 is a perspective view of the joint of the high chair shown in FIG. 1, which is installed in the high chair.

The broken lines showing of the high chair in FIG. 8 are for illustrative purposes only and form no part of the claimed design.

1 Claim, 5 Drawing Sheets



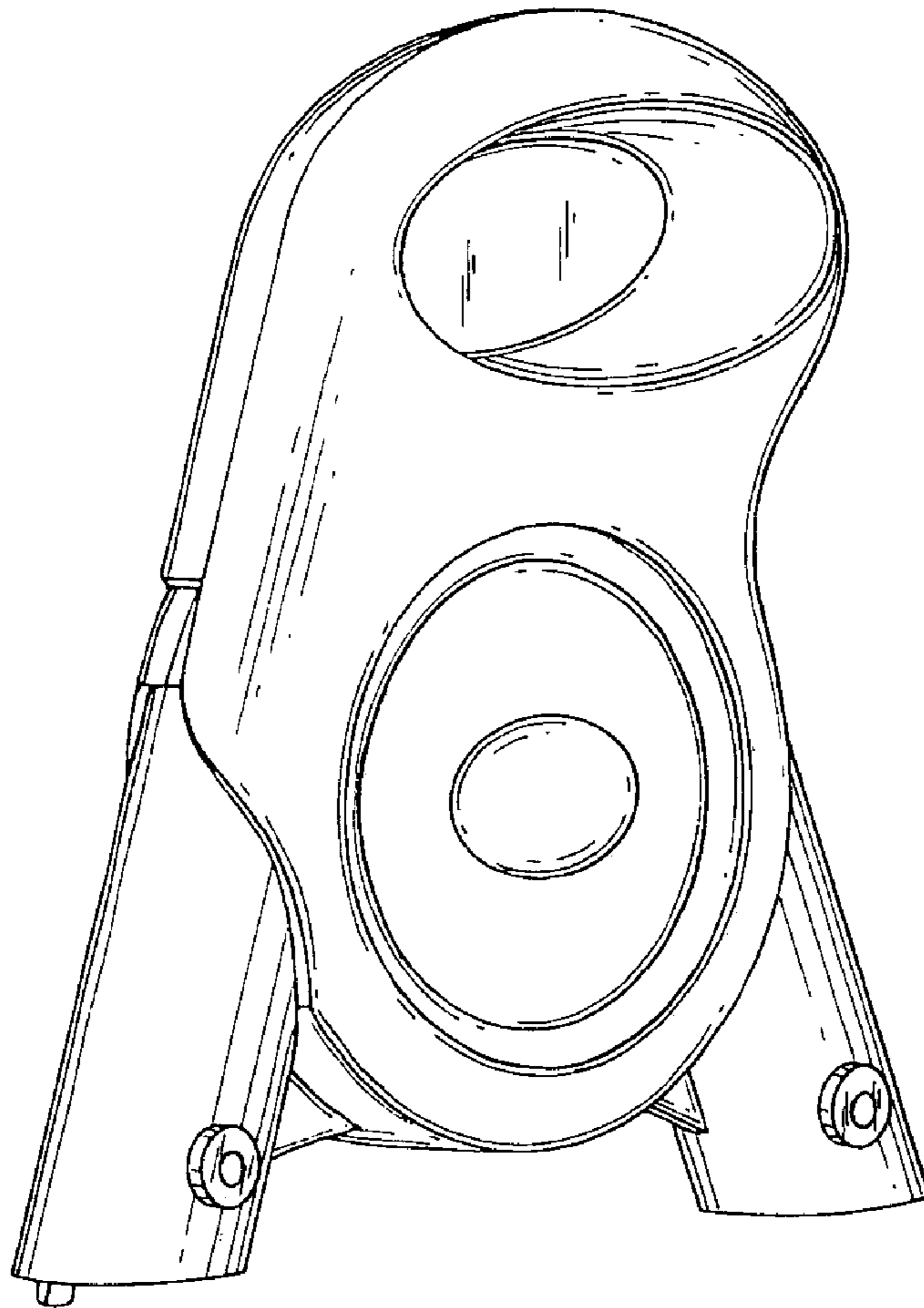


Fig. 1

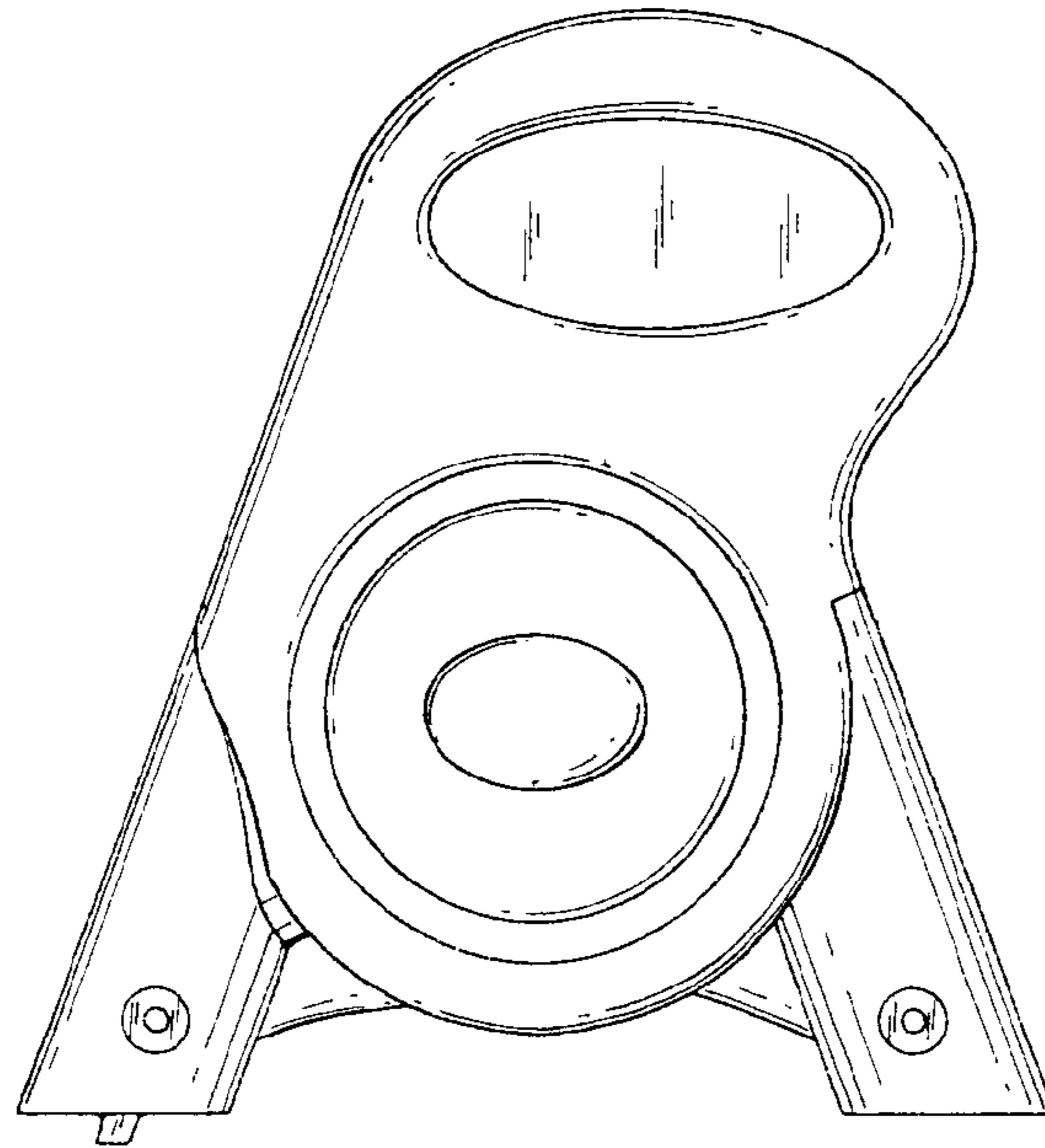


Fig. 2

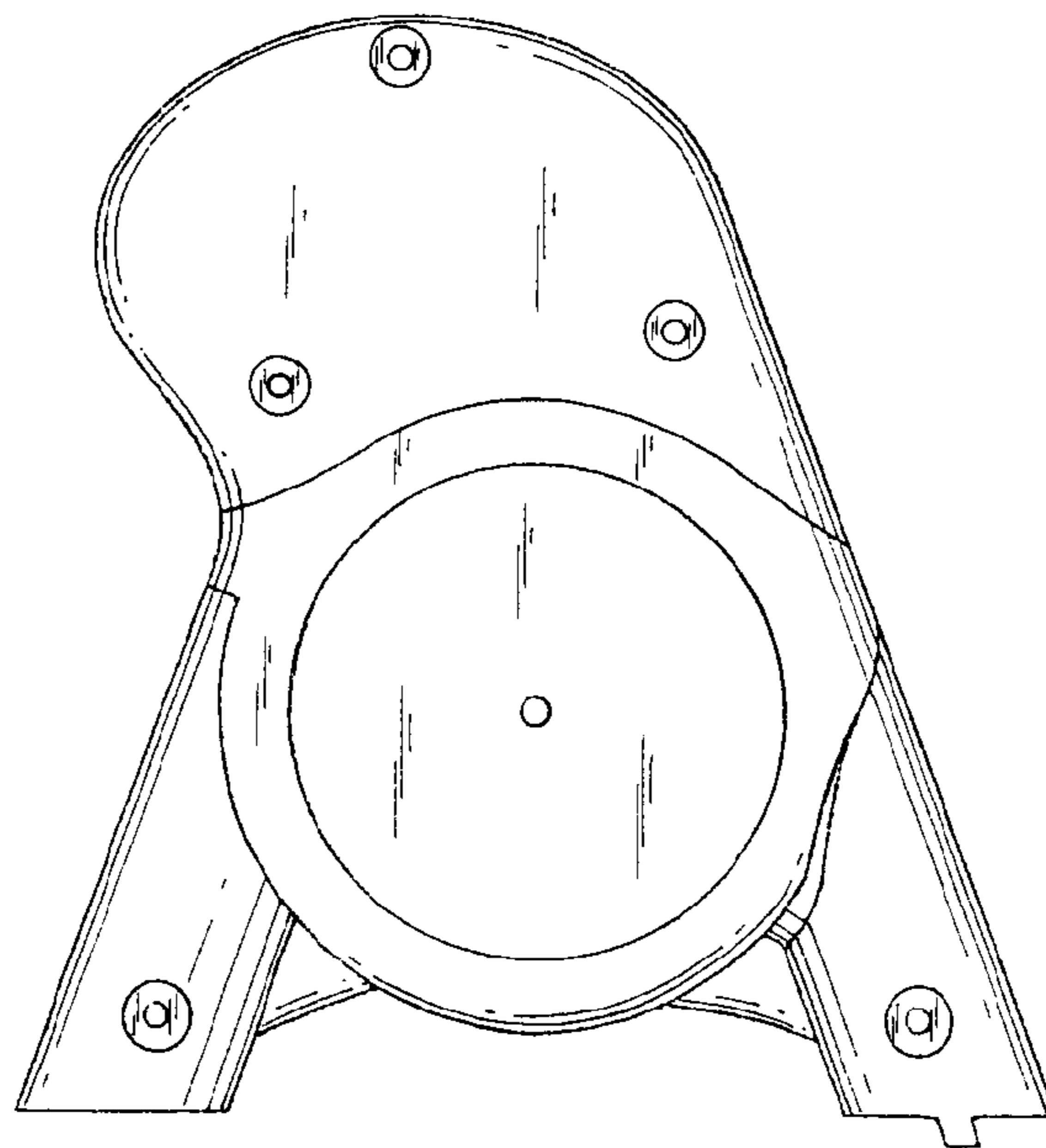


Fig. 3

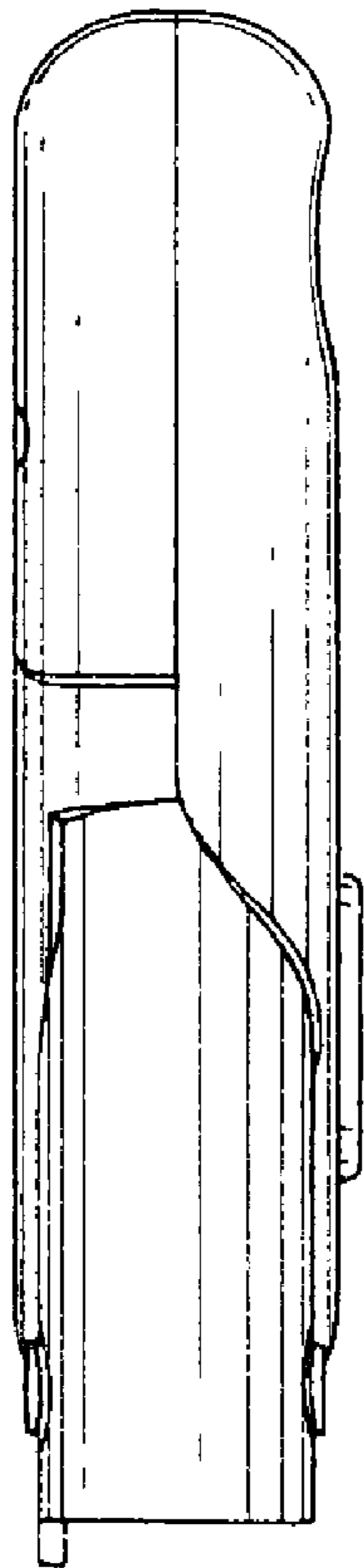


Fig. 5

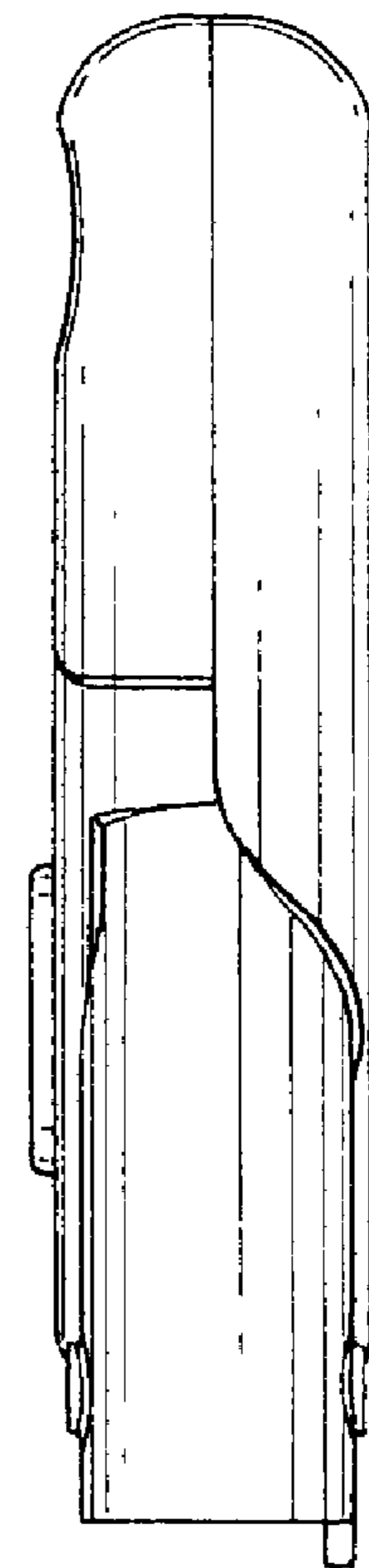


Fig. 4

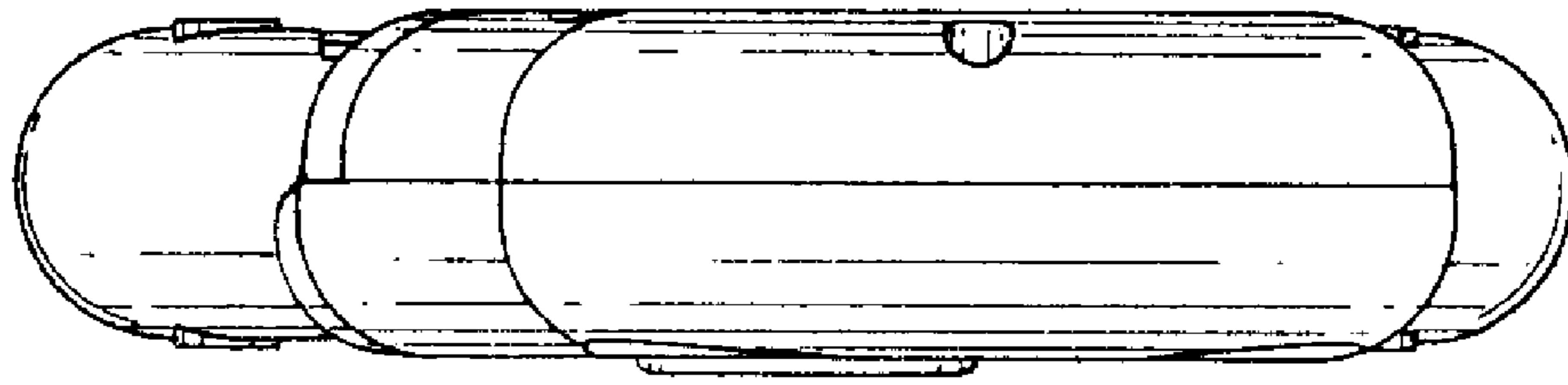


Fig. 6

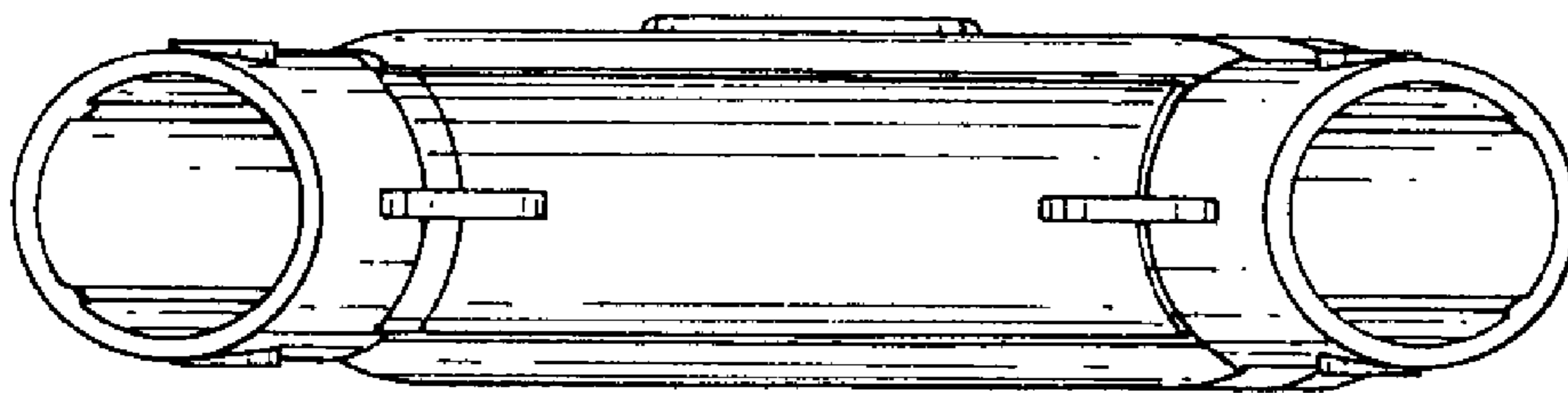


Fig. 7

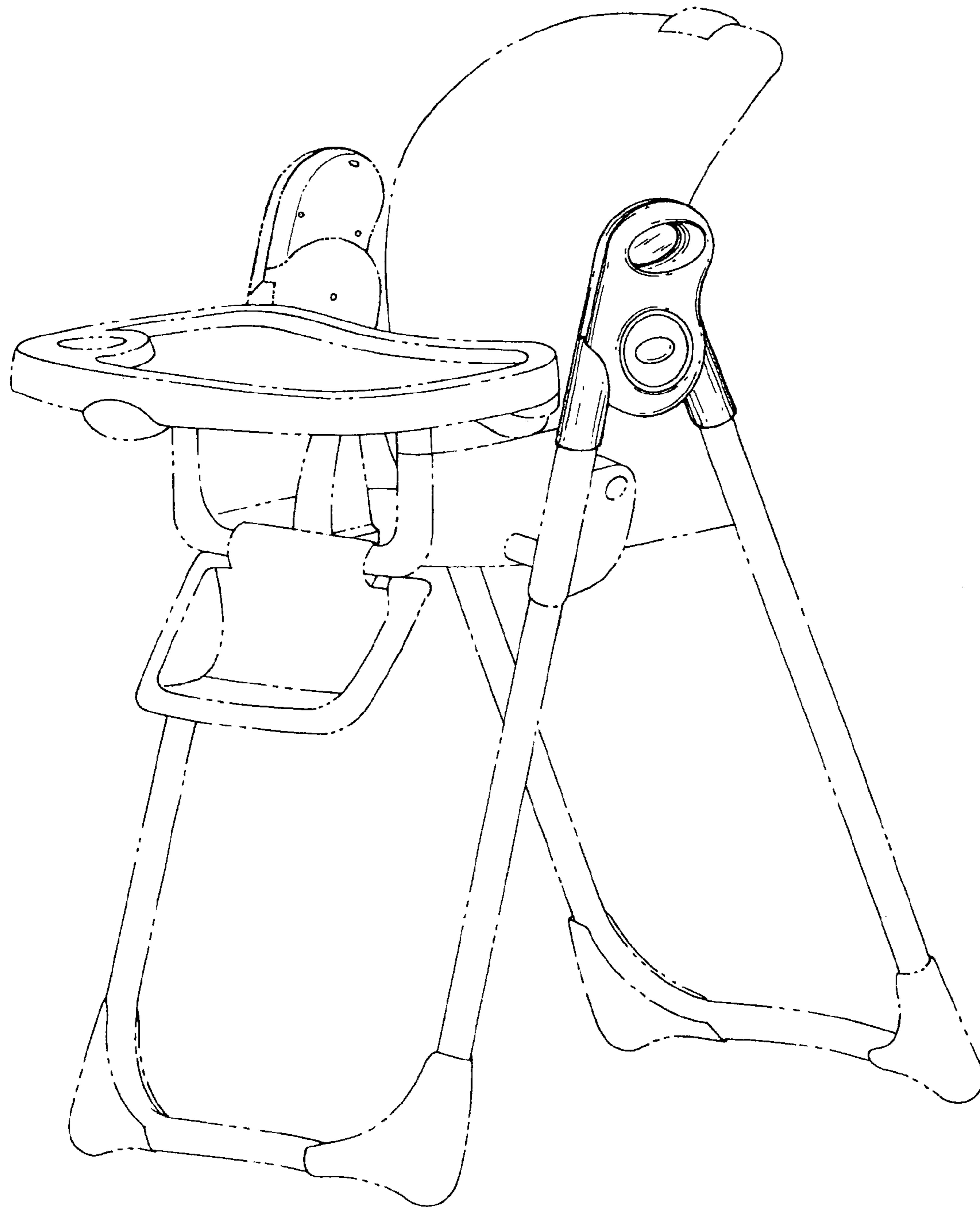


Fig. 8

UNITED STATES PATENT AND TRADEMARK OFFICE
CERTIFICATE OF CORRECTION

PATENT NO. : Des. 505,578 S
APPLICATION NO. : 29/193560
DATED : November 12, 2004
INVENTOR(S) : Shun-Min Chen

Page 1 of 1

It is certified that error appears in the above-identified patent and that said Letters Patent is hereby corrected as shown below:

Title Page:

“(73) Assignee: Wonderland Nurserygoods Co., Ltd.,
Neihu Taiwan (CN)

should read

Title Page:

-- (73) Assignee: Wonderland Nurserygoods Co., Ltd.,
Neihu Taiwan (TW) --

Signed and Sealed this

Eighth Day of August, 2006

A handwritten signature in black ink on a light gray dotted background. The signature reads "Jon W. Dudas" in a cursive style.

JON W. DUDAS

Director of the United States Patent and Trademark Office

UNITED STATES PATENT AND TRADEMARK OFFICE
CERTIFICATE OF CORRECTION

PATENT NO. : Des. 505,578 S
APPLICATION NO. : 29/193560
DATED : May 31, 2005
INVENTOR(S) : Shun-Min Chen

Page 1 of 1

It is certified that error appears in the above-identified patent and that said Letters Patent is hereby corrected as shown below:

Title Page:

“(73) Assignee: Wonderland Nurserygoods Co., Ltd.,
Neihu Taiwan (CN)”

should read

Title Page:

-- (73) Assignee: Wonderland Nurserygoods Co., Ltd.,
Neihu Taiwan (TW) --

This certificate supersedes Certification of Correction issued August 8, 2006.

Signed and Sealed this

Fifth Day of September, 2006

A handwritten signature in black ink on a light gray dotted background. The signature reads "Jon W. Dudas" in a cursive, slightly stylized font.

JON W. DUDAS

Director of the United States Patent and Trademark Office