



US00D505576S

(12) **United States Design Patent**
Chang

(10) **Patent No.:** **US D505,576 S**

(45) **Date of Patent:** **** May 31, 2005**

(54) **TELEVISION STAND**

(76) **Inventor:** **Chien-Kuo Chang**, P.O. Box 36-80,
Taichung City (TW)

(**) **Term:** **14 Years**

(21) **Appl. No.:** **29/207,196**

(22) **Filed:** **Jun. 9, 2004**

(51) **LOC (7) Cl.** **06-04**

(52) **U.S. Cl.** **D6/477; D6/474**

(58) **Field of Search** D6/460, 461, 468,
D6/474, 477-479, 407; 108/59, 91, 92,
96; 211/40, 41.12, 42, 49.1, 50, 85.2, 90.04,
187, 190, 119.003, 134.153, 87.01, 71.01;
D14/126, 129

(56) **References Cited**

U.S. PATENT DOCUMENTS

- D458,053 S * 6/2002 Luong D6/477
- D465,355 S * 11/2002 Luong D6/477
- D480,237 S * 10/2003 de Carolis D6/474

- D484,332 S * 12/2003 Niitsu D6/477
- D491,750 S * 6/2004 Bertoncini D6/474
- D495,163 S * 8/2004 Weatherly D6/479

* cited by examiner

Primary Examiner—Cathron Brooks

(74) *Attorney, Agent, or Firm*—Charles B. Baxley

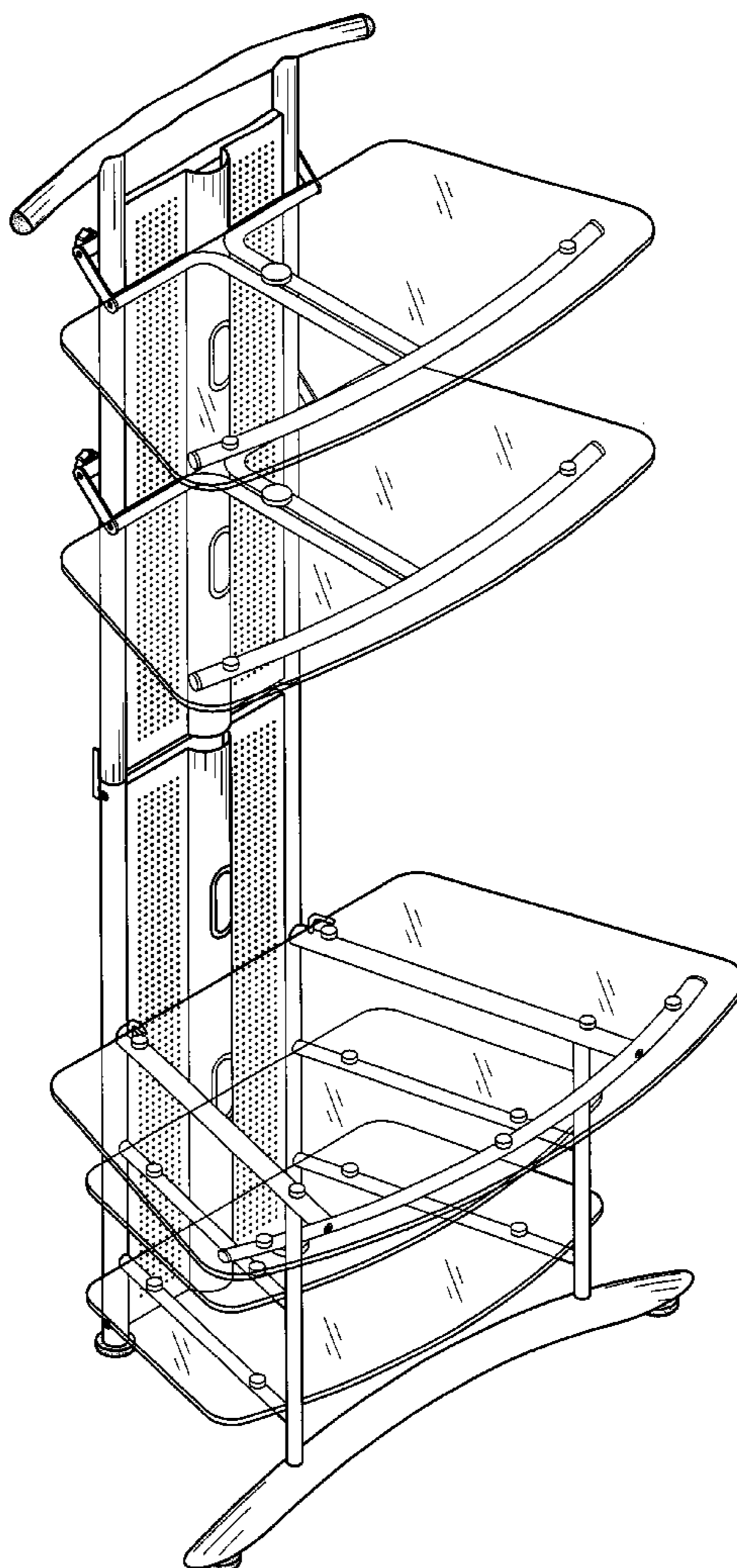
(57) **CLAIM**

The ornamental design for a television stand, as shown and described.

DESCRIPTION

FIG. 1 is a perspective view of a television stand showing our new design thereof;
 FIG. 2 is a front elevational view thereof;
 FIG. 3 is a rear elevational view thereof;
 FIG. 4 is a left side elevational view thereof;
 FIG. 5 is a right side elevational view thereof;
 FIG. 6 is a top plan view thereof; and,
 FIG. 7 is a bottom plan view thereof.

1 Claim, 6 Drawing Sheets



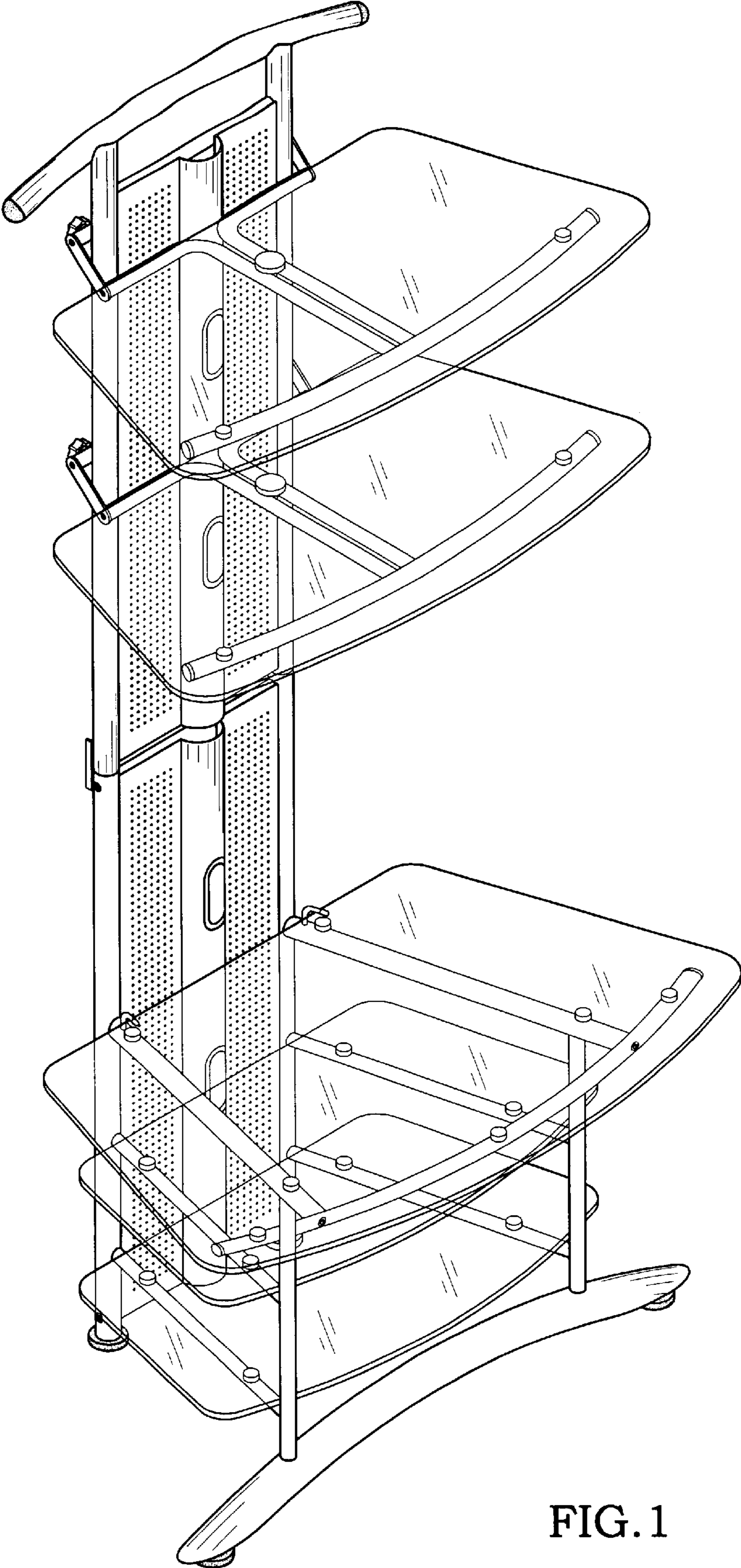


FIG. 1

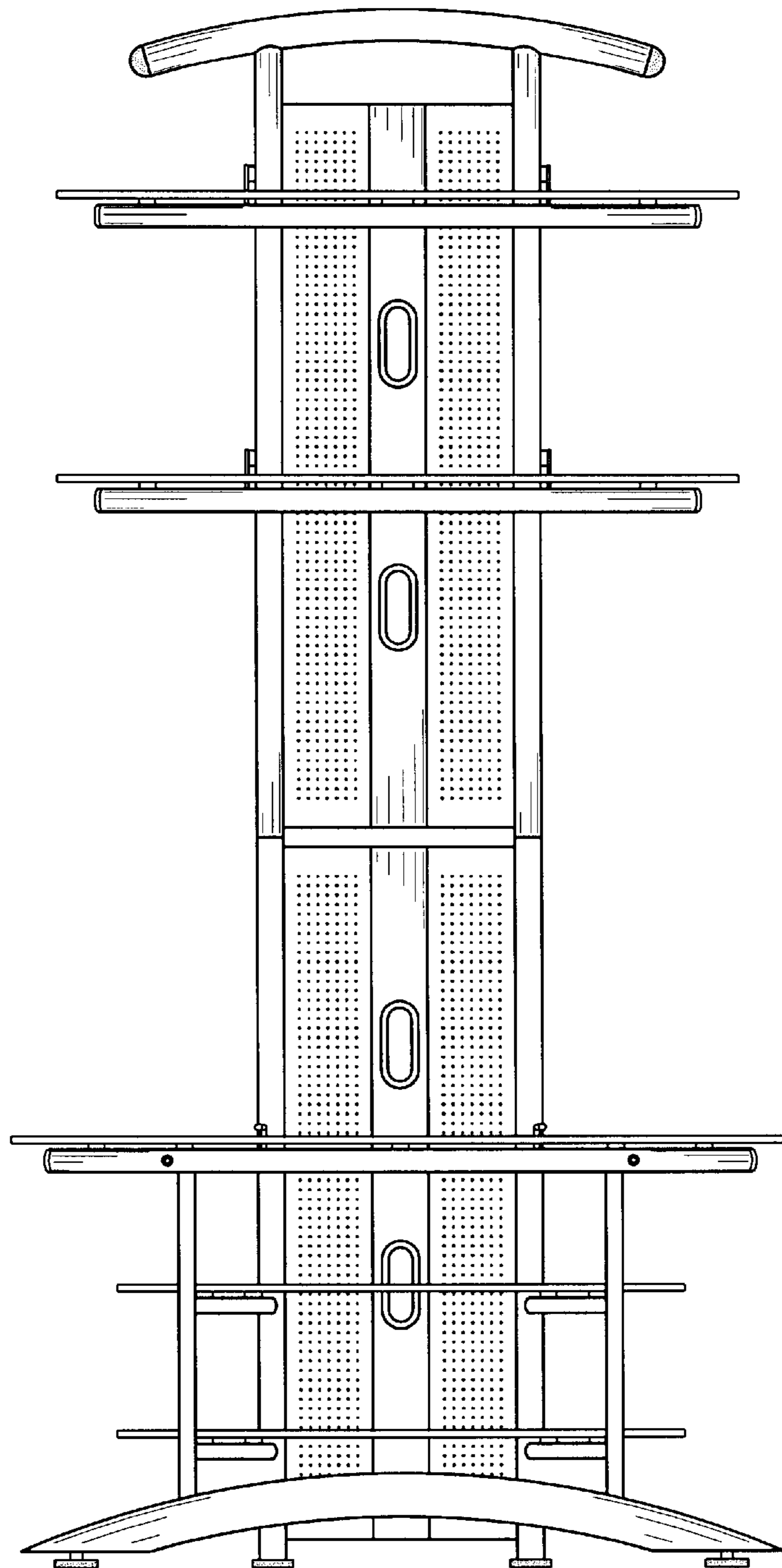


FIG.2

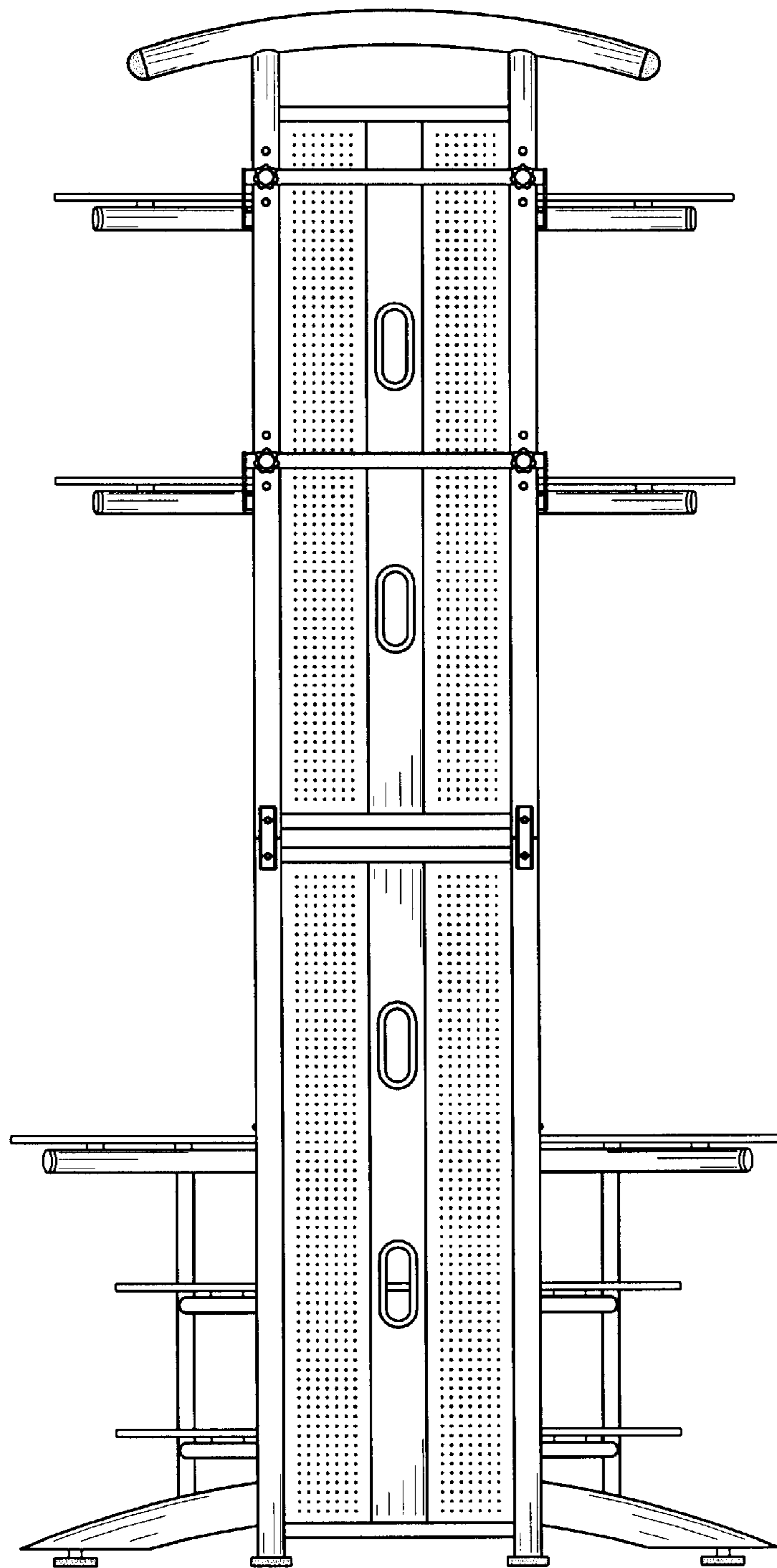


FIG. 3

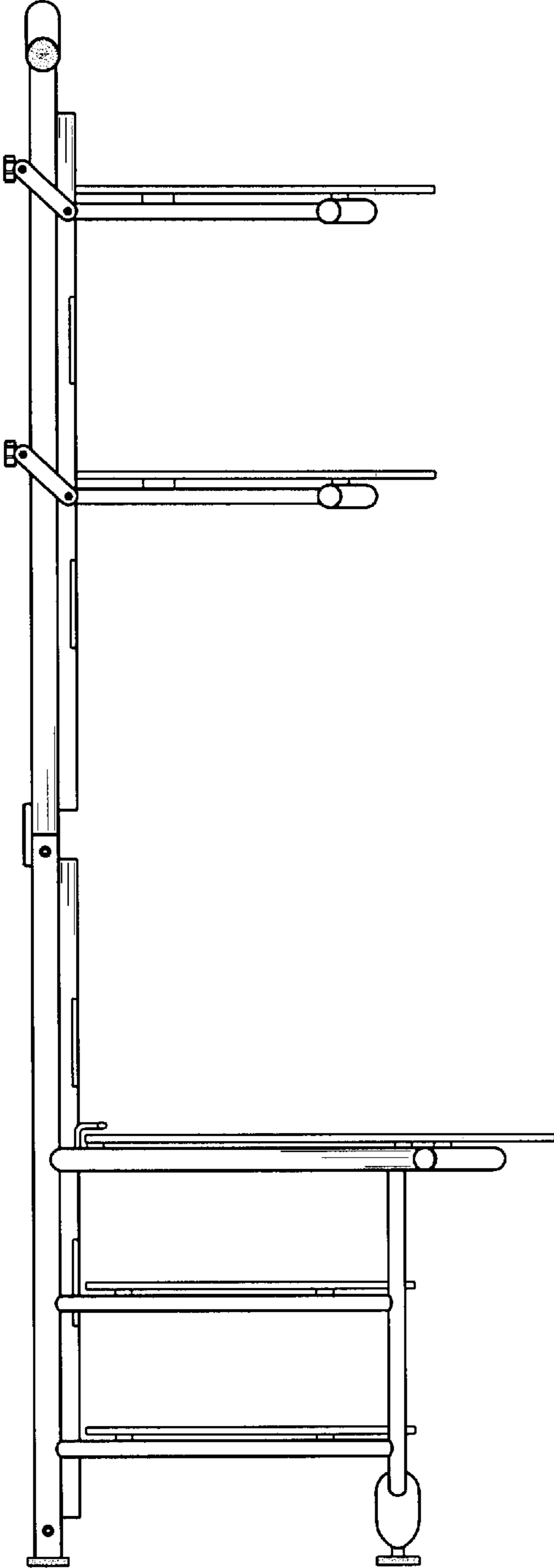


FIG.4

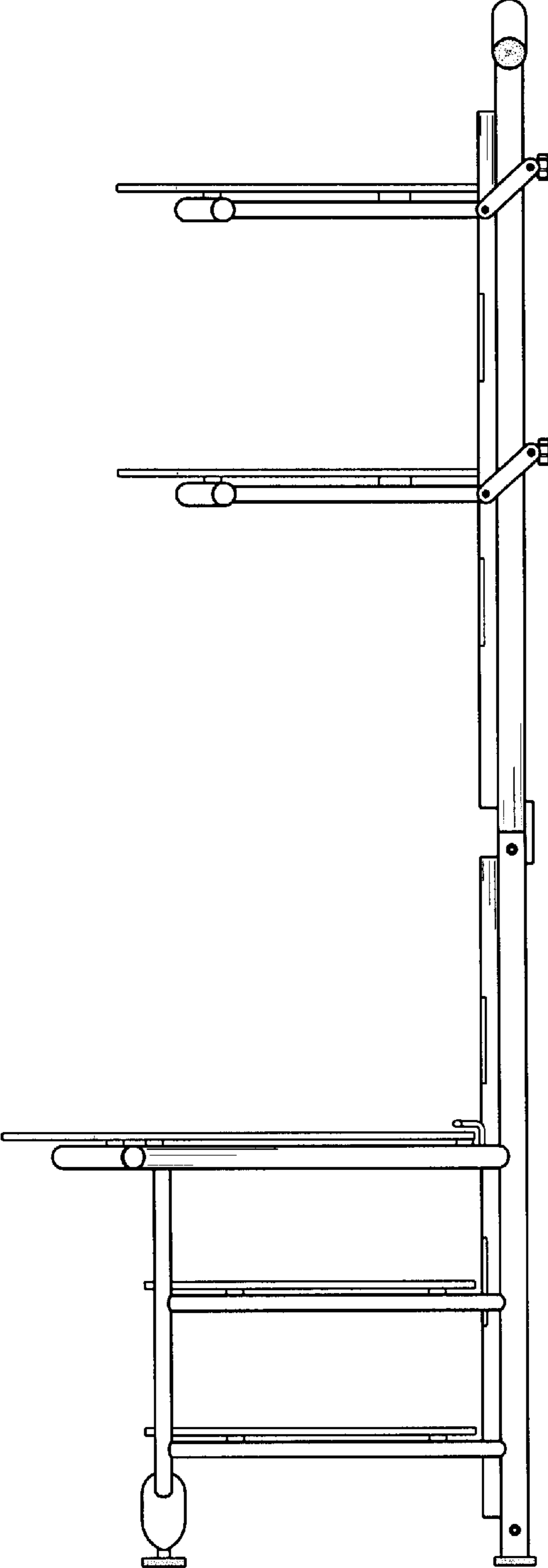


FIG. 5

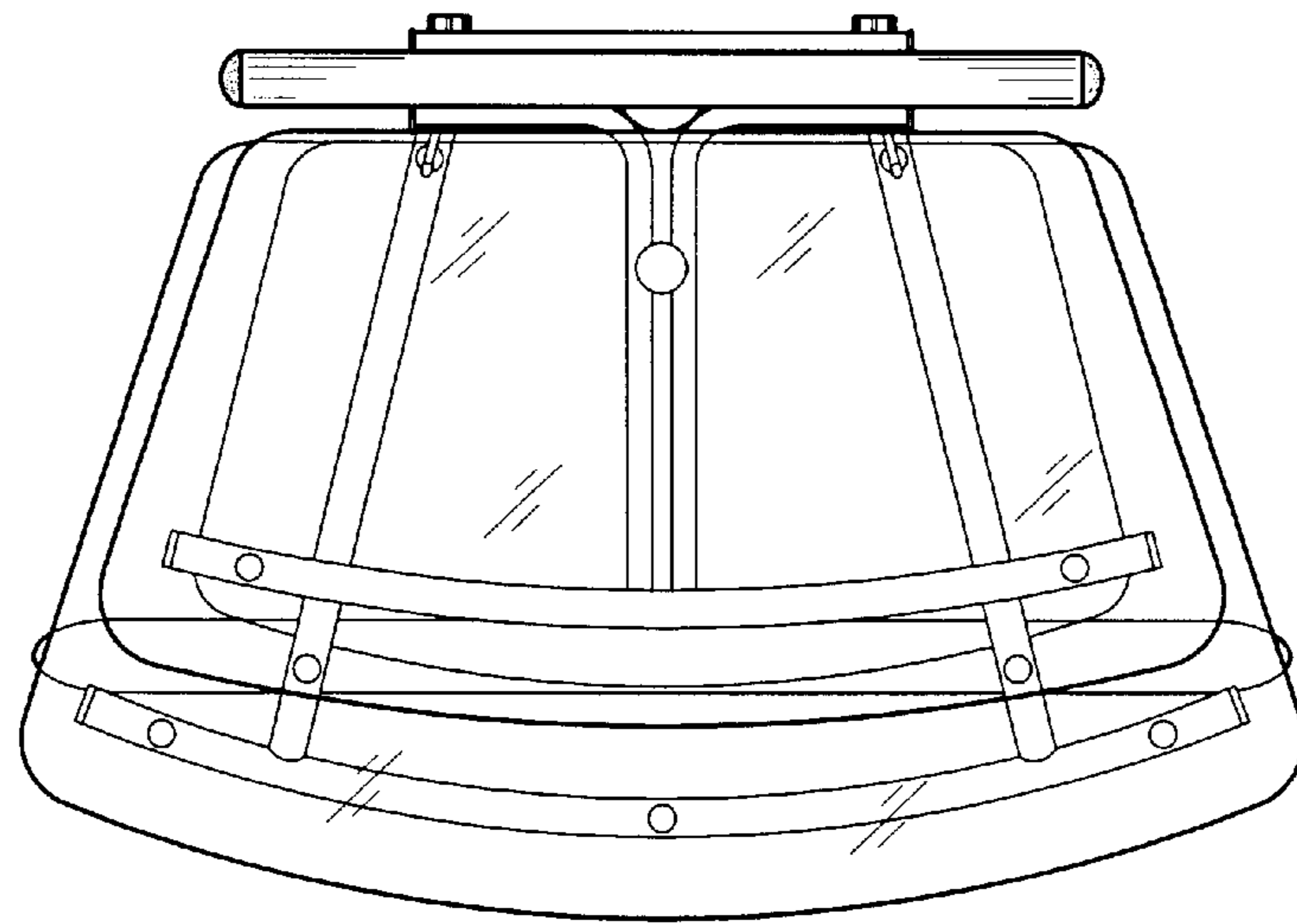


FIG. 6

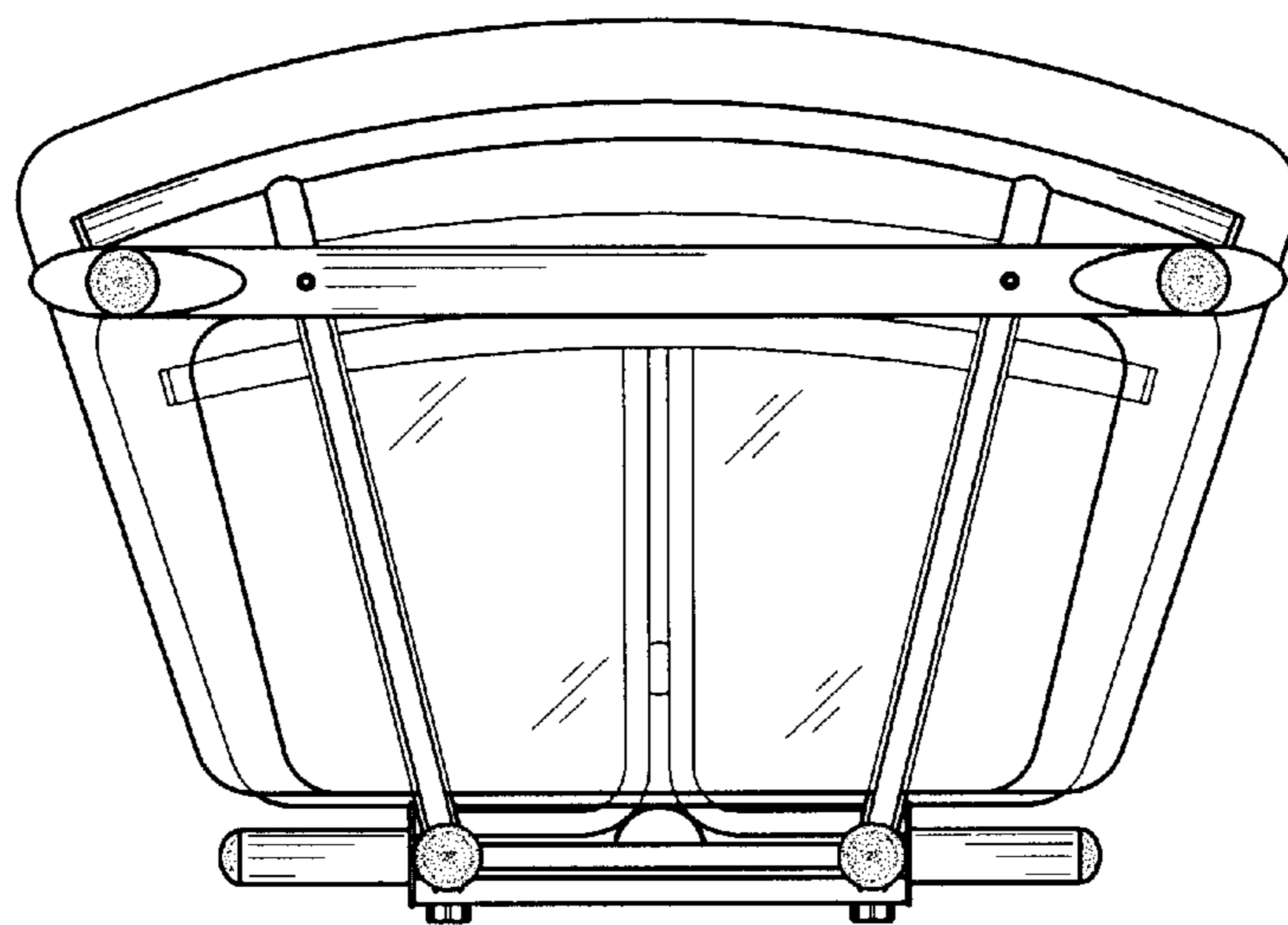


FIG. 7