



US00D505573S

(12) **United States Design Patent**
Malizia

(10) **Patent No.:** **US D505,573 S**

(45) **Date of Patent:** **** May 31, 2005**

(54) **AUDIO VIDEO SYSTEM FURNITURE**

D497,061 S * 10/2004 Decarolis D6/479

(75) Inventor: **Mario Malizia**, Castelfidardo (IT)

* cited by examiner

(73) Assignee: **Bell'O International, LLC**,
Morganville, NJ (US)

Primary Examiner—Cathron Brooks
(74) *Attorney, Agent, or Firm*—Lerner, David, Littenberg,
Krumholz & Mentlik, LLP

(**) Term: **14 Years**

(57) **CLAIM**

(21) Appl. No.: **29/205,529**

The ornamental design for audio video system furniture, as shown and described.

(22) Filed: **May 17, 2004**

DESCRIPTION

(51) **LOC (7) Cl.** **06-04**

(52) **U.S. Cl.** **D6/474; D6/477**

(58) **Field of Search** D6/460, 461, 468,
D6/474, 477-479, 407; 108/59, 91, 92,
96; 211/40, 41.12, 42, 49.1, 50, 85.2, 90.04,
187, 190, 119.003, 134.153, 87.01, 71.01;
D14/126, 129

FIG. 1 is a perspective view of a first embodiment of the subject audio video system furniture; FIG. 2 is a front plan view thereof; FIG. 3 is a rear view thereof; FIG. 4 is a right side view thereof (the left side being a mirror image of the right side view) FIG. 5 is a top plan view thereof; FIG. 6 is a perspective view of a second embodiment of the subject audio video system furniture; and, FIG. 7 is a top plan view of the embodiment shown in FIG. 6 (all other views of the second embodiment having the same appearance as FIGS. 2, 3 and 4).

(56) **References Cited**

U.S. PATENT DOCUMENTS

- D472,075 S * 3/2003 de Carolis D6/479
- D491,750 S * 6/2004 Bertoncini D6/474
- D491,753 S * 6/2004 deCarolis D6/479
- D496,807 S * 10/2004 deCarolis D6/477

1 Claim, 6 Drawing Sheets

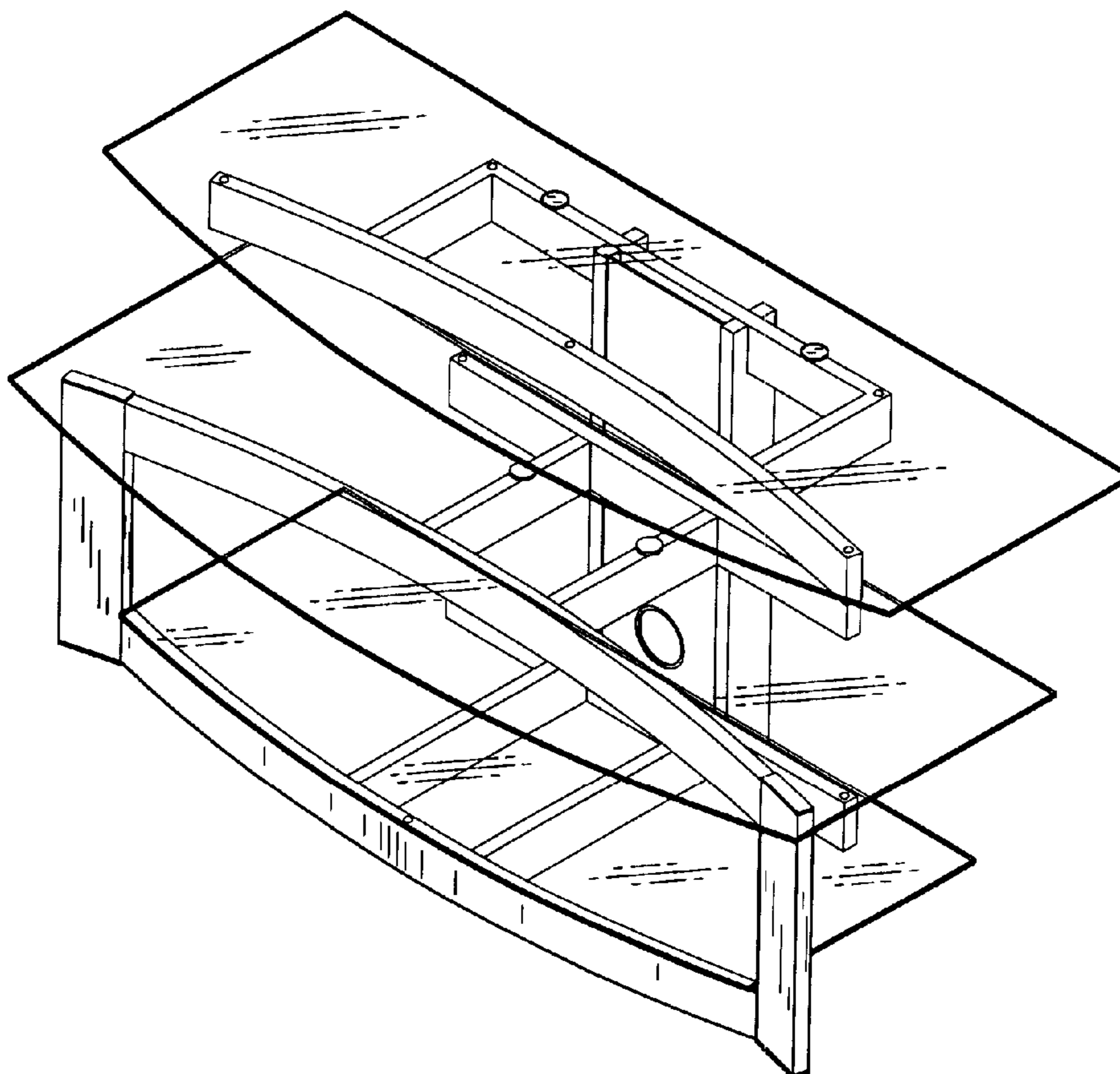


FIG. 1

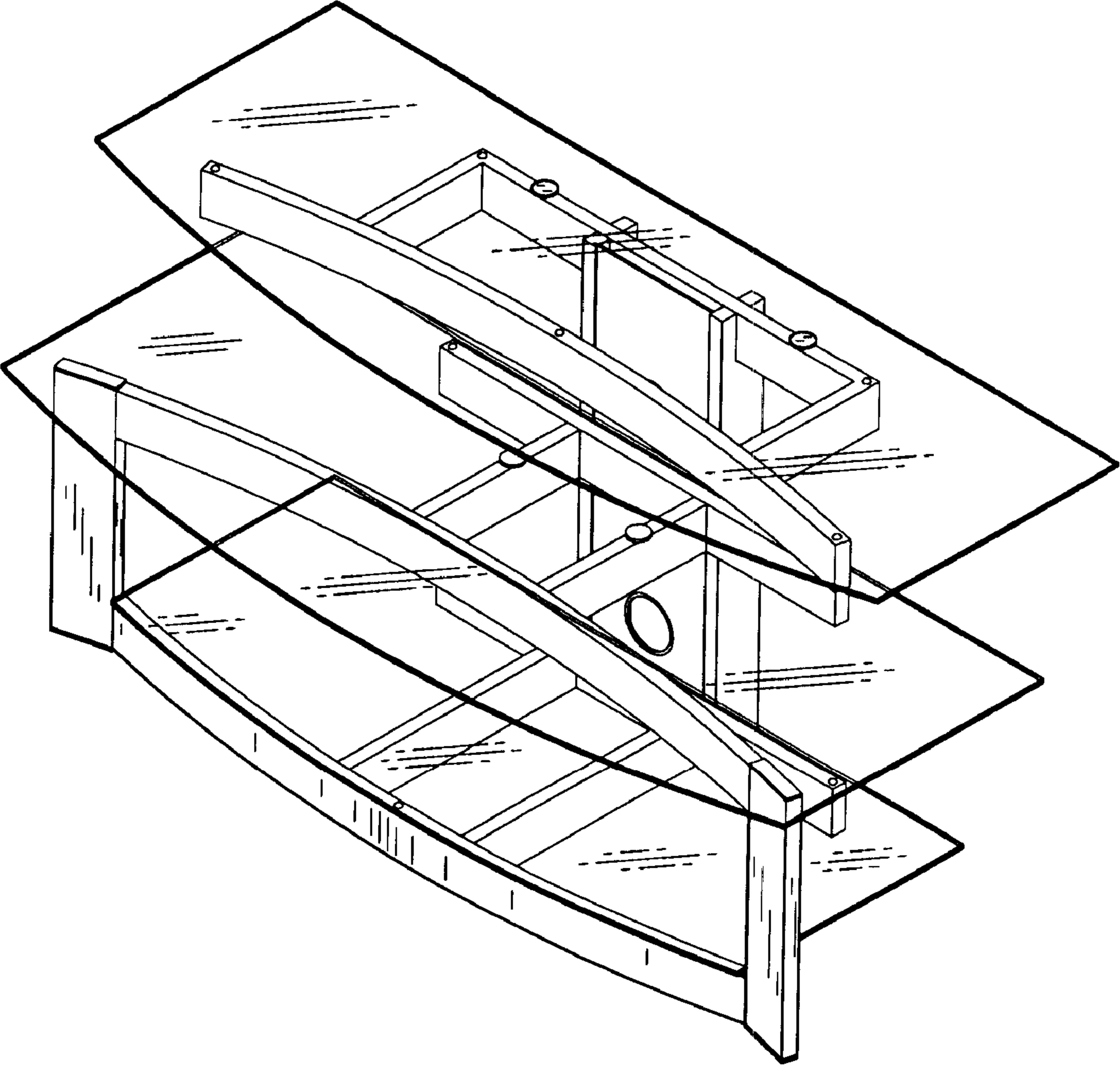


FIG. 2

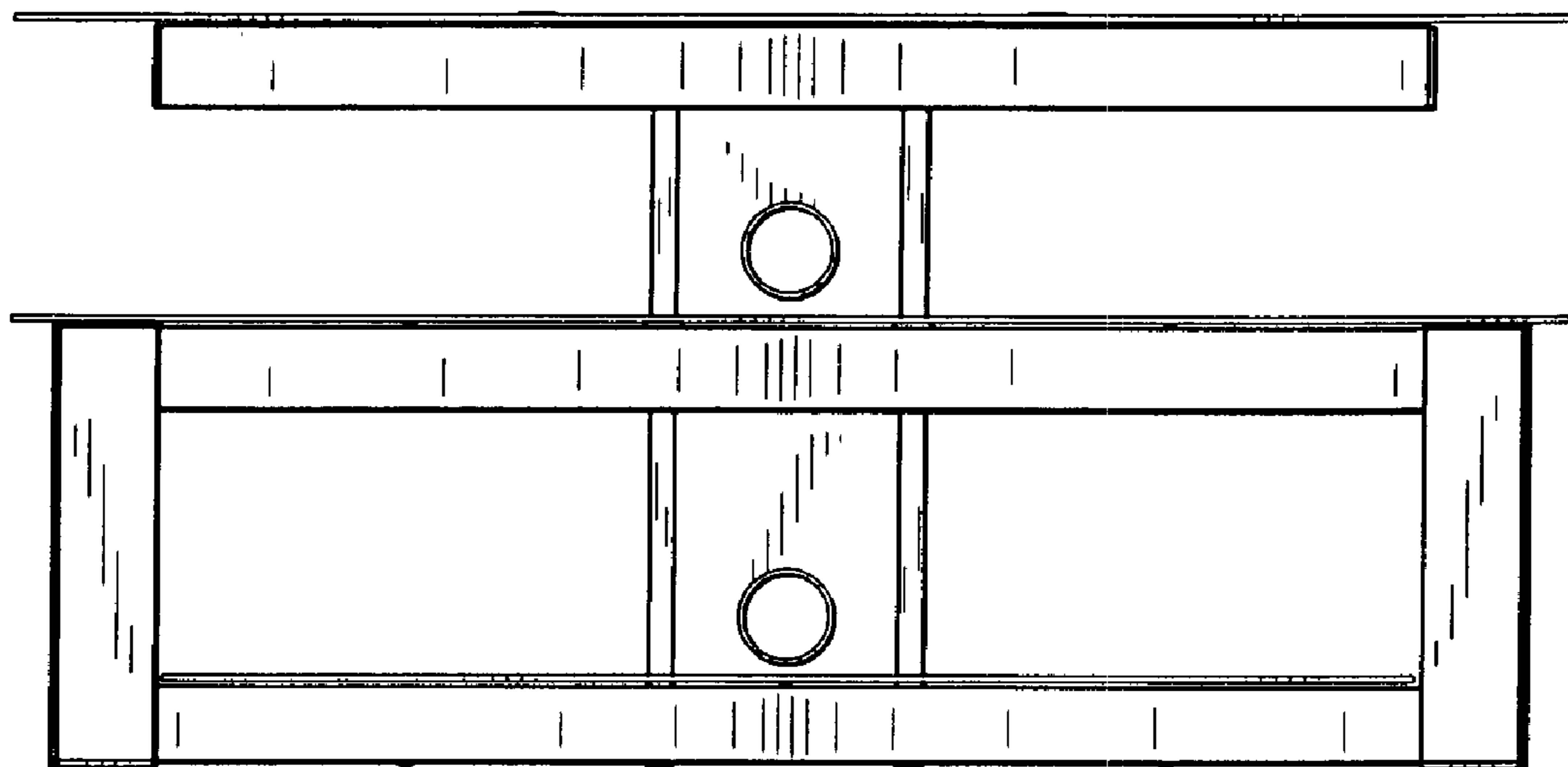


FIG. 3

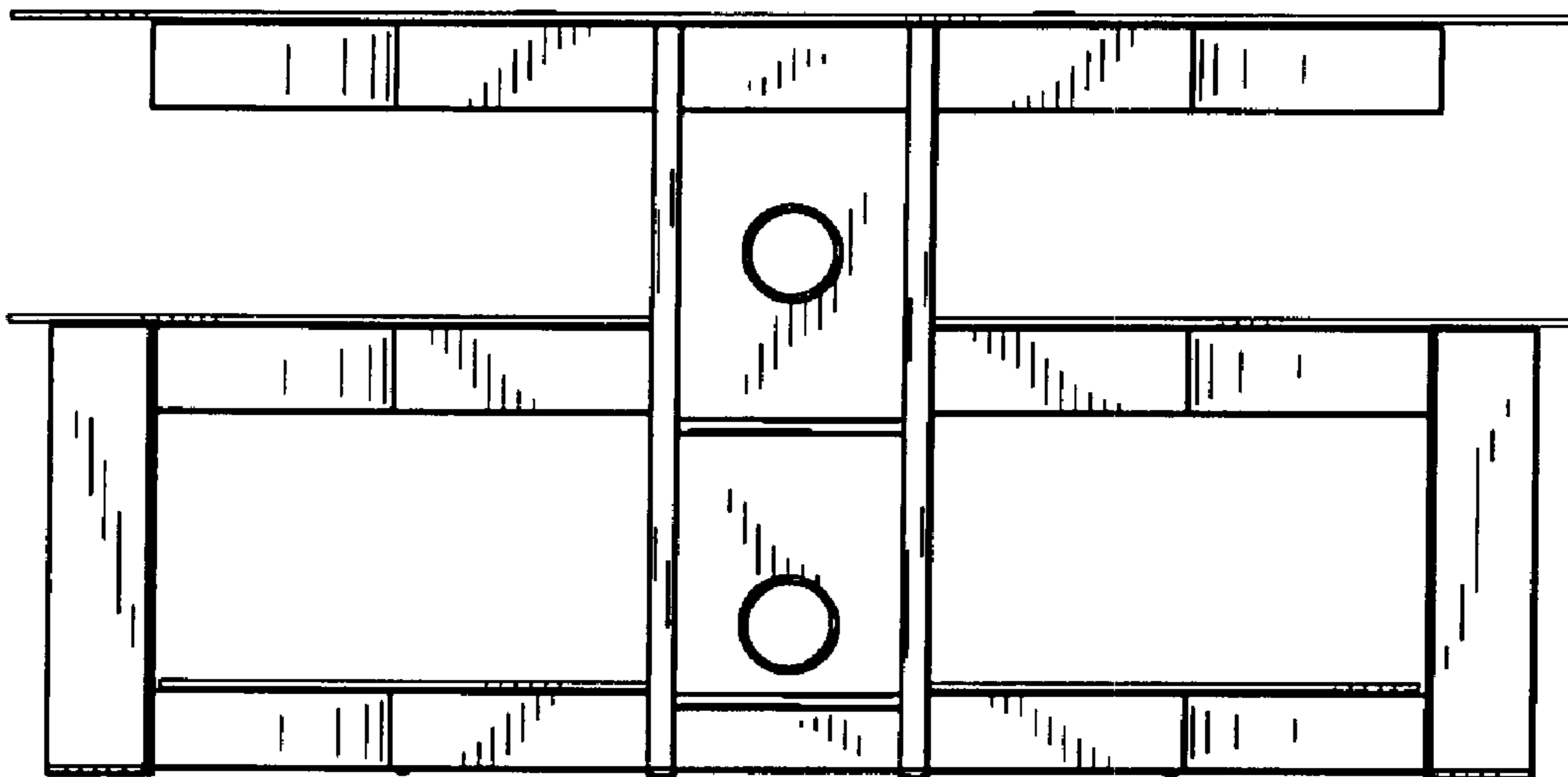


FIG. 4

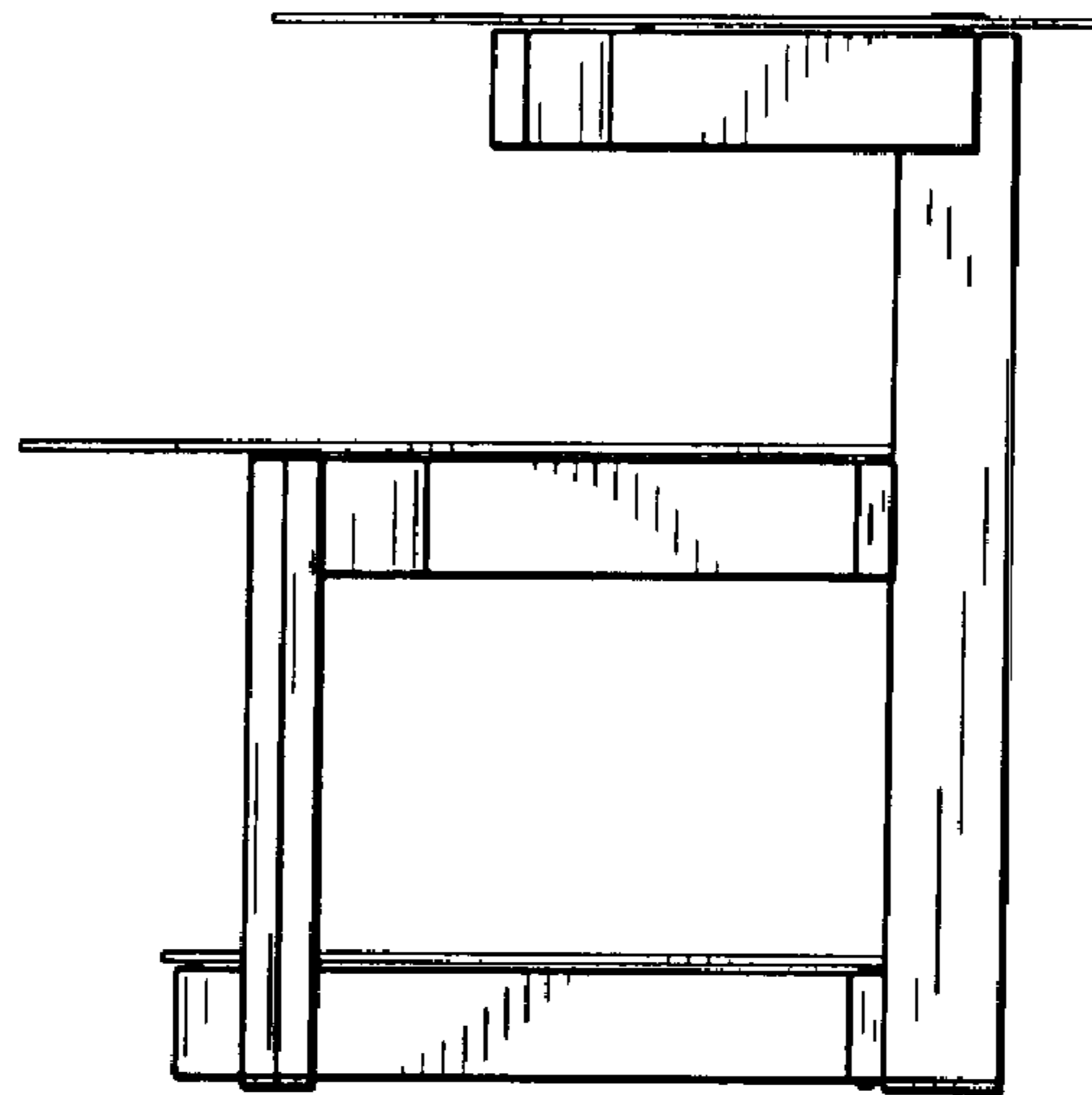


FIG. 5

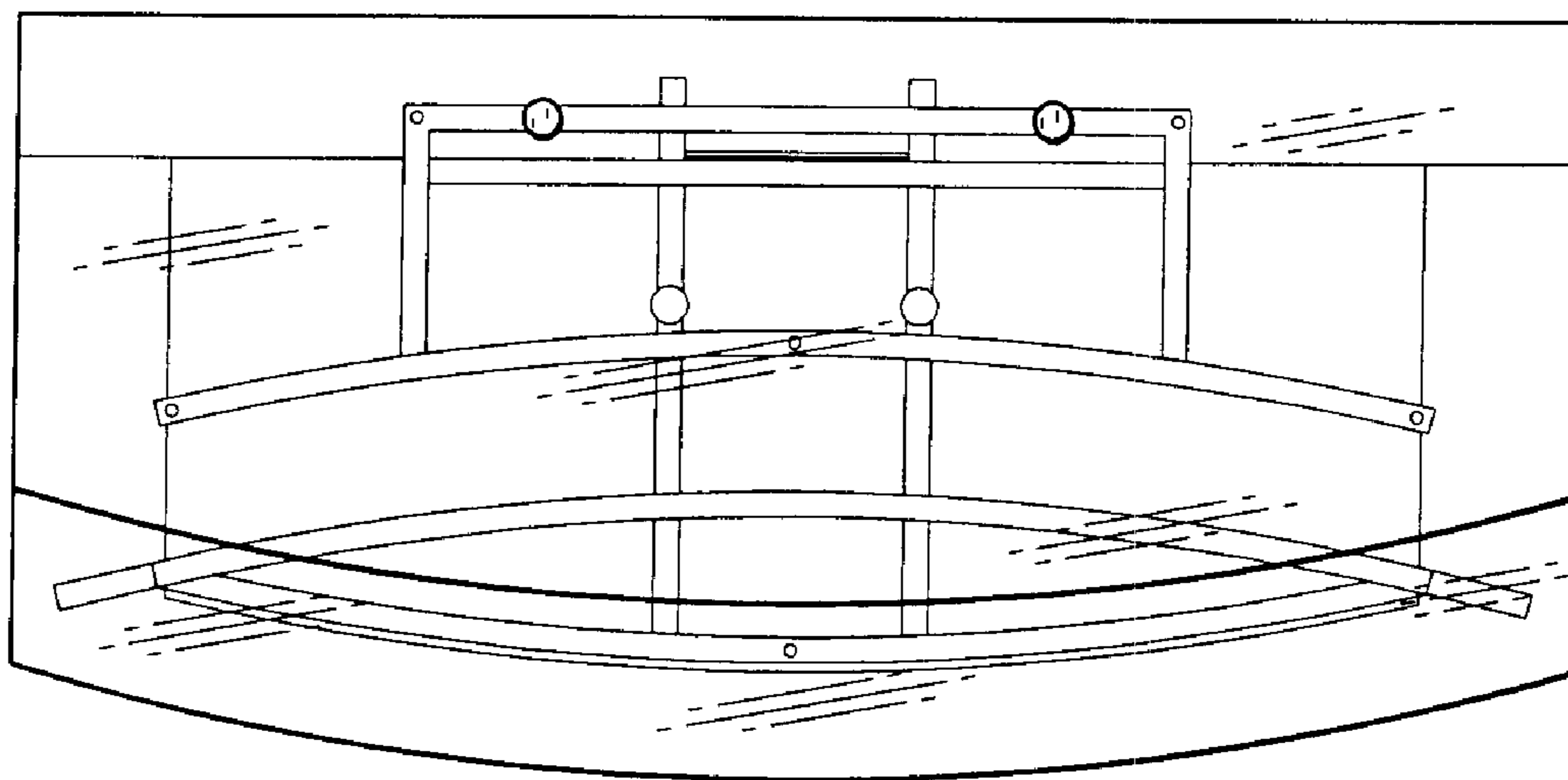


FIG. 6

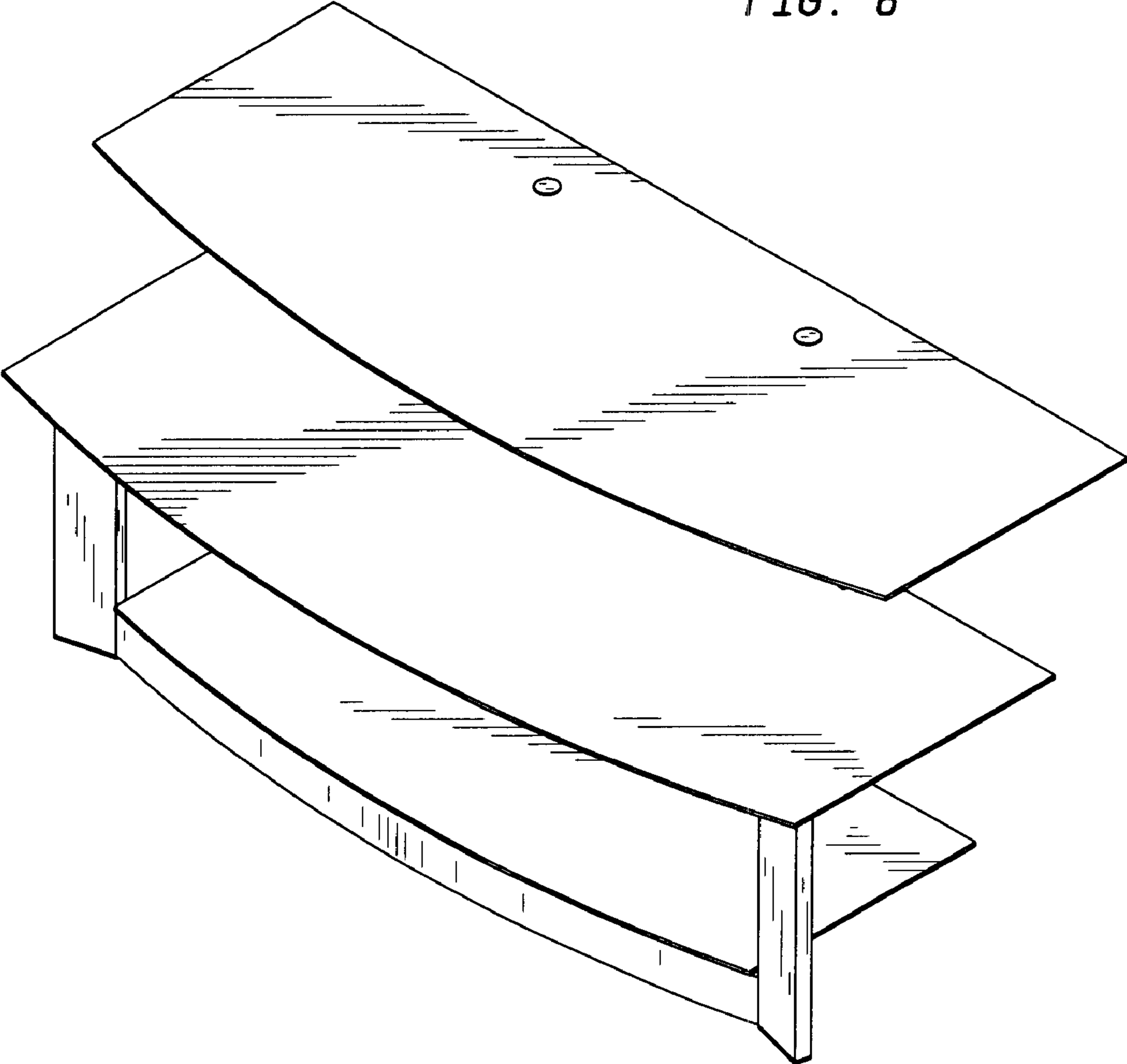


FIG. 7

