



US00D505571S

(12) **United States Design Patent**  
**Cape**

(10) **Patent No.:** **US D505,571 S**

(45) **Date of Patent:** **\*\* May 31, 2005**

(54) **HAIR BRUSH DISPLAY**

(76) **Inventor:** **Arthur T. Cape**, 4718 Macro Dr., San Antonio, TX (US) 78218

(\*\*) **Term:** **14 Years**

(21) **Appl. No.:** **29/209,910**

(22) **Filed:** **Jul. 22, 2004**

(51) **LOC (7) Cl.** ..... **06-04**

(52) **U.S. Cl.** ..... **D6/455; D6/450**

(58) **Field of Search** ..... D6/449, 450, 454-459, D6/466-469; 108/103, 105, 139; 211/131.1, 65, 69, 70, 74, 78, 163, 85.18; D4/116, 128; D28/73; D34/14, 16; 15/146; 132/118, 119.1, 120, 238; 248/349.1

(56) **References Cited**

**U.S. PATENT DOCUMENTS**

- D294,207 S \* 2/1988 Noyes et al. .... D6/457
- D299,279 S \* 1/1989 Reeves et al. .... D4/128
- D324,454 S \* 3/1992 Herron ..... D4/116

- D414,001 S \* 9/1999 Crotte et al. .... D28/73
- D435,182 S \* 12/2000 Mason ..... D6/457
- D488,644 S \* 4/2004 Park ..... D6/469
- 2003/0131865 A1 \* 7/2003 Richmond et al. .... 132/119.1

\* cited by examiner

*Primary Examiner*—Mimosa De

(74) *Attorney, Agent, or Firm*—Charles W. Hanor, P.C.

(57) **CLAIM**

I claim the shape, configuration and ornamental appearance for a hair brush display, as shown and described.

**DESCRIPTION**

FIG. 1 is a top elevational view of a hair brush display showing my new design.

FIG. 2 is a front plan view of the hair brush display;

FIG. 3 is a right side plan view of the hair brush display;

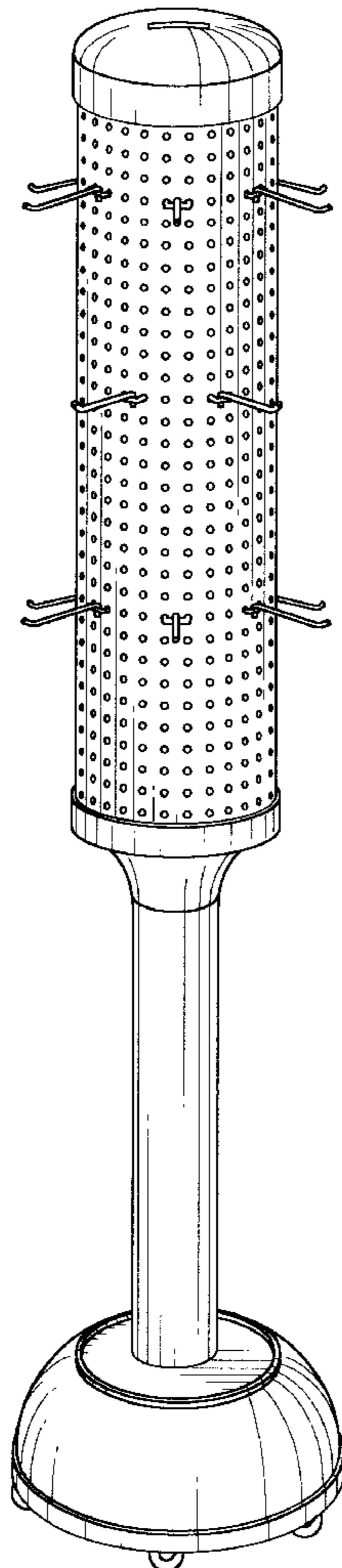
FIG. 4 is a left side plan view of the hair brush display;

FIG. 5 is a back plan view of the hair brush display;

FIG. 6 is a top plan view of the hair brush display; and,

FIG. 7 is a bottom plan view of the hair brush display.

**1 Claim, 3 Drawing Sheets**



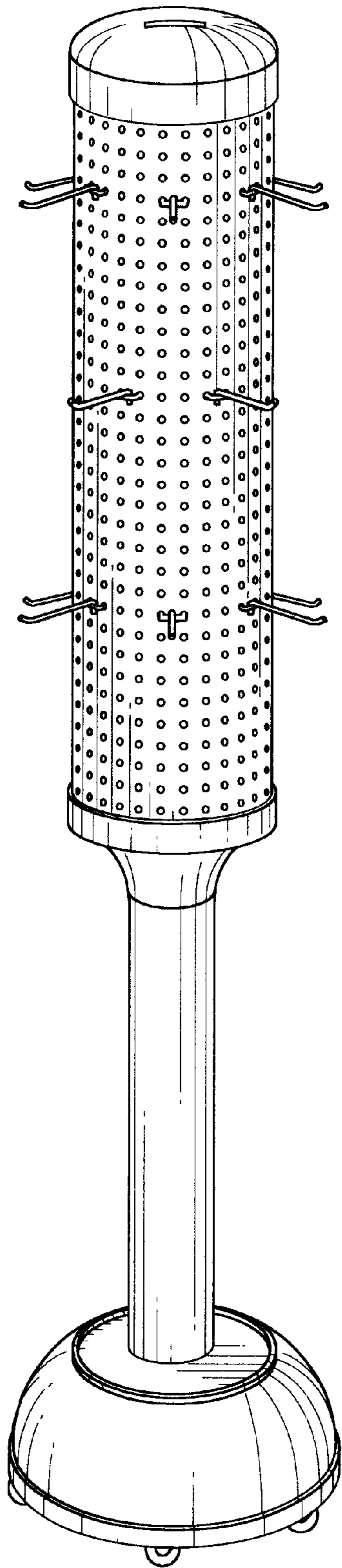


Fig. 1

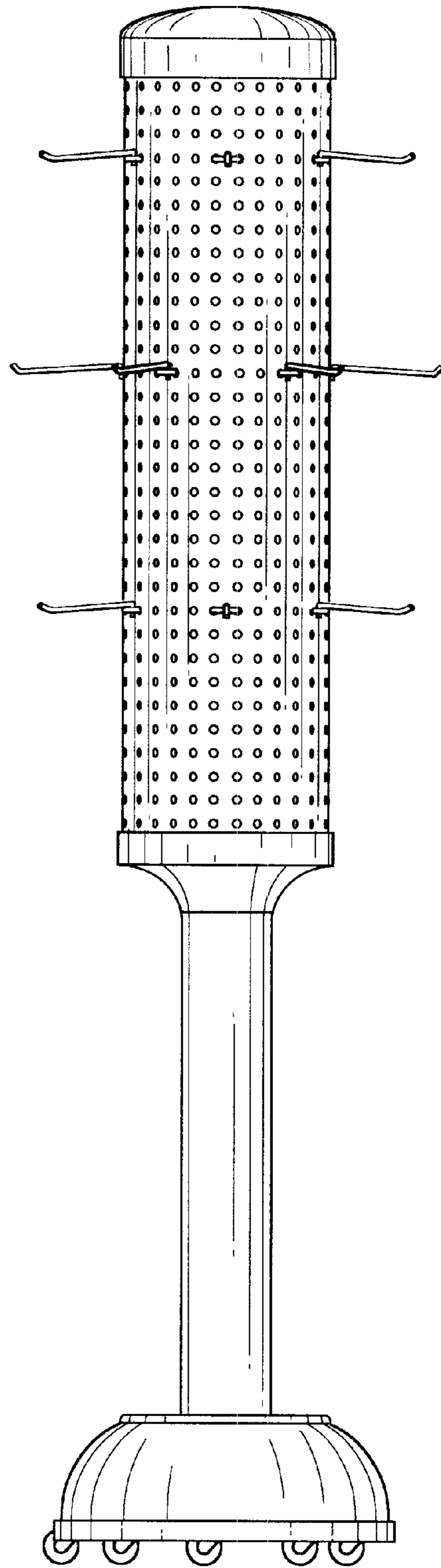


Fig. 2

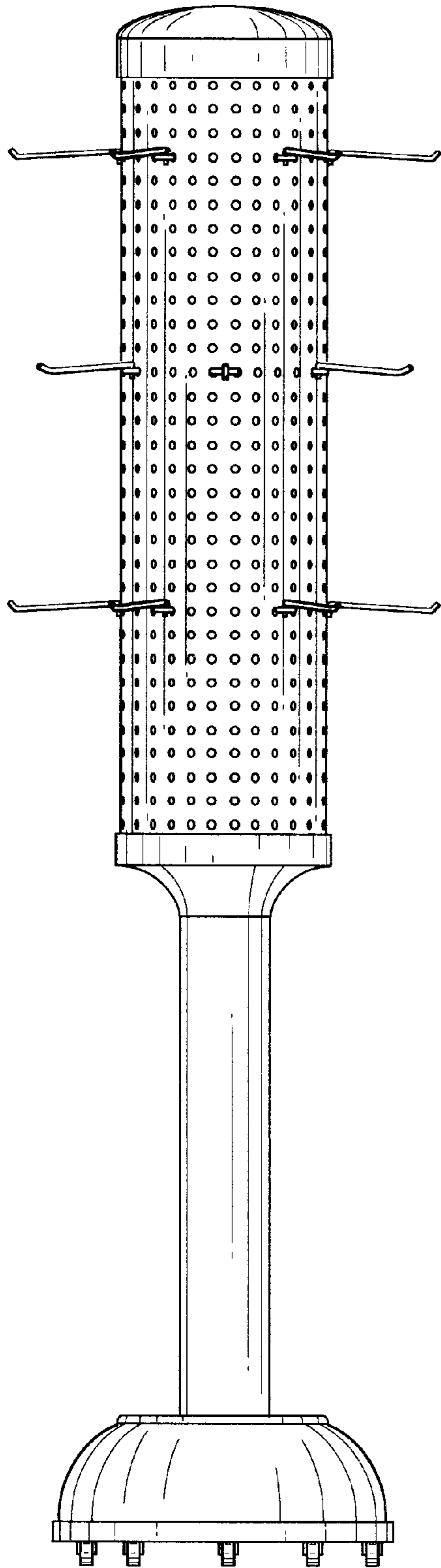


Fig. 3

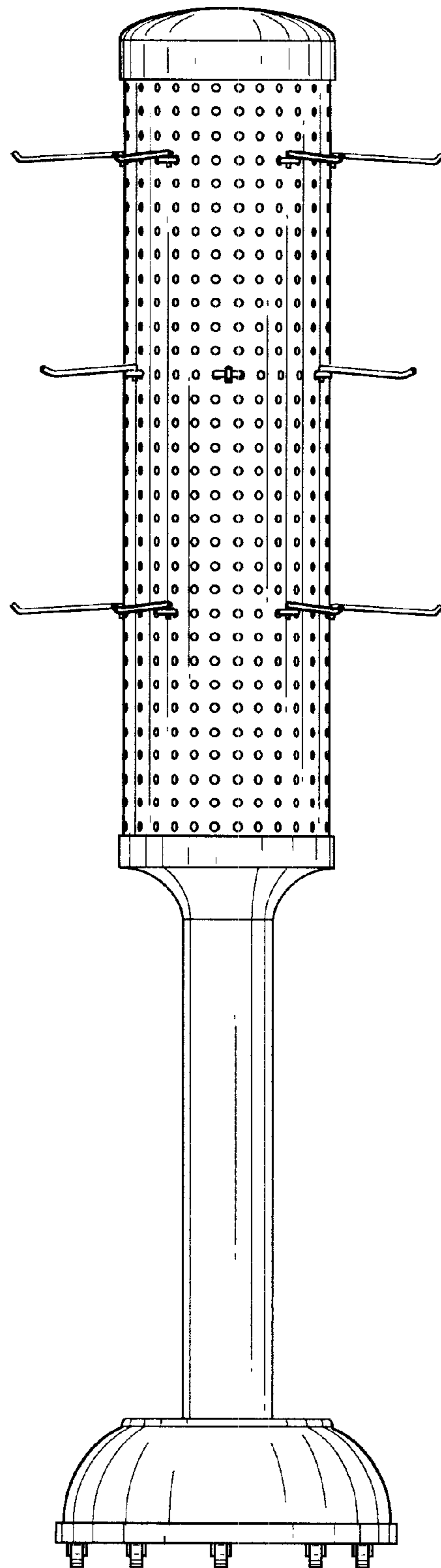


Fig. 4

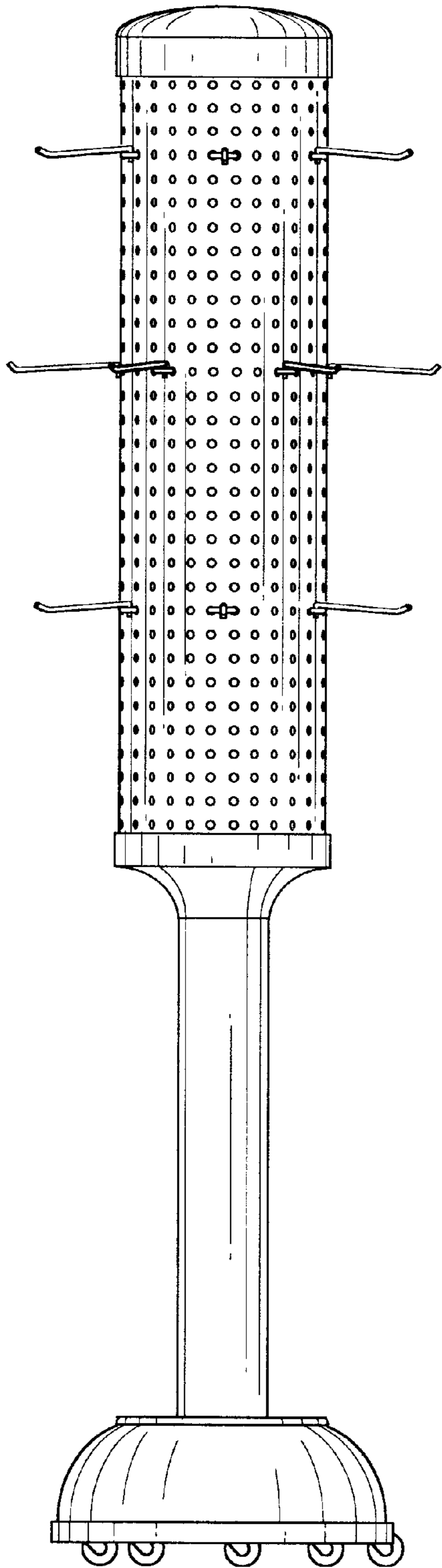


Fig. 5

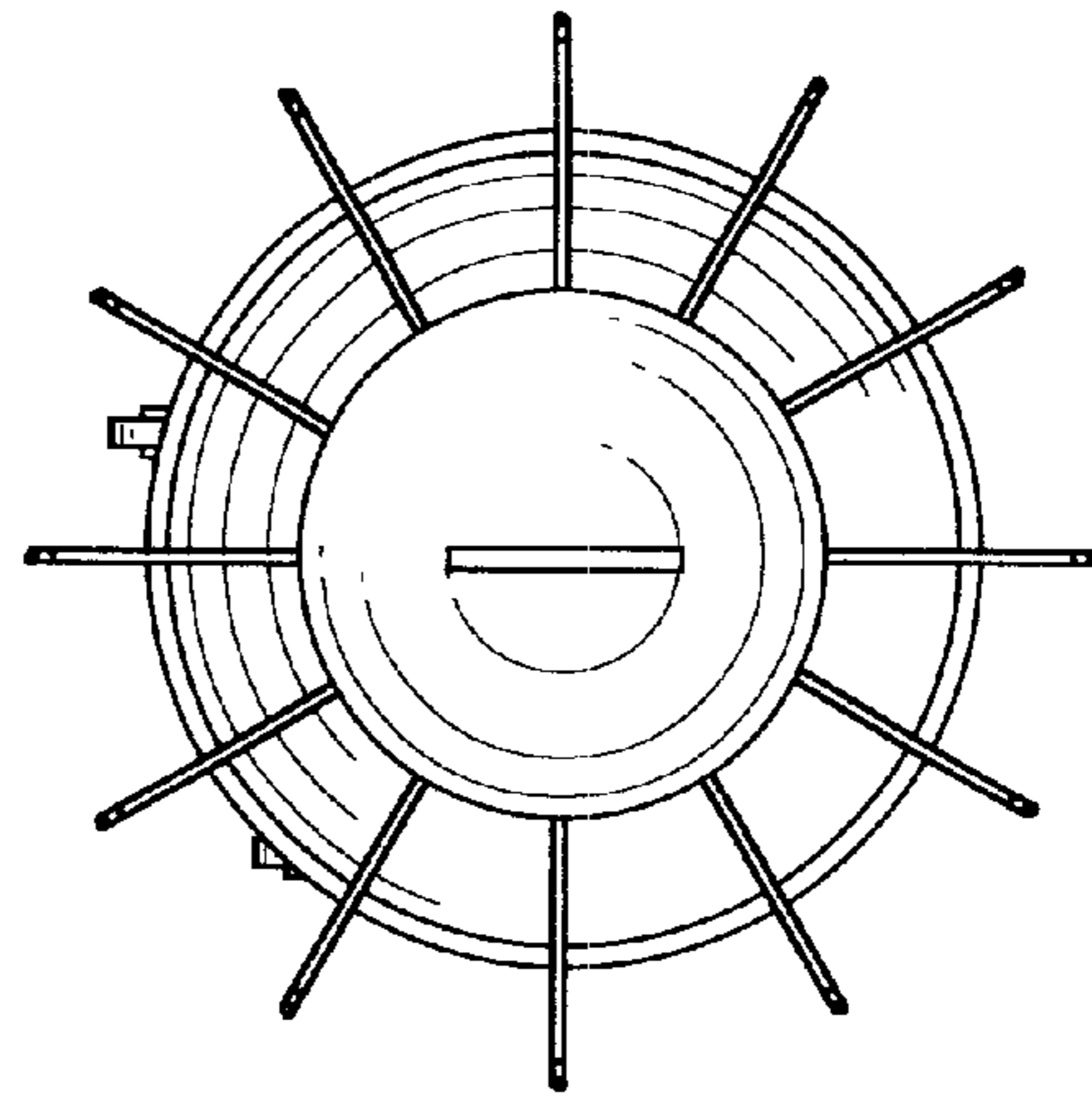


Fig. 6

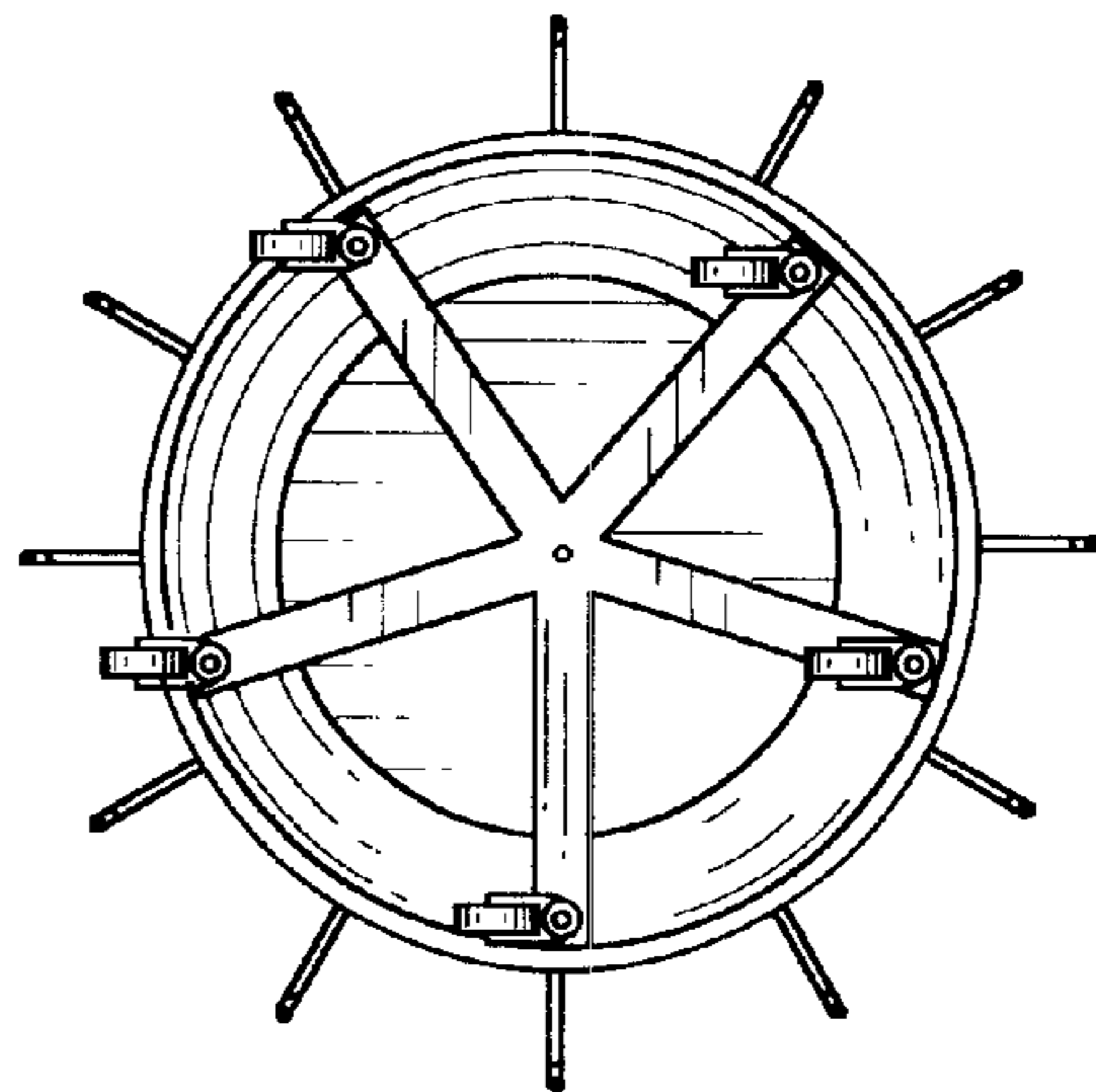


Fig. 7