

US00D505570S

(12) **United States Design Patent**
Mohundro

(10) **Patent No.:** **US D505,570 S**

(45) **Date of Patent:** **** May 31, 2005**

(54) **DRESSER**

D401,444 S * 11/1998 Lin D6/446
D430,427 S * 9/2000 Cain D6/446

(75) Inventor: **James Glenn Mohundro**, Taichung
(TW)

OTHER PUBLICATIONS

(73) Assignee: **Pacific Marketing International**
(H.K.), Ltd., Taichung (TW)

Furniture Today, Crawford dresser, p. 184 Apr. 12, 1999.*
Furniture Today, Kincaid dresser, p. 150 Oct. 11, 1999.*

(**) Term: **14 Years**

* cited by examiner

(21) Appl. No.: **29/203,367**

Primary Examiner—Cathron Brooks

(22) Filed: **Apr. 14, 2004**

(74) *Attorney, Agent, or Firm*—Rosenberg, Klein & Lee

(51) **LOC (7) Cl.** **06-04**

(57) **CLAIM**

(52) **U.S. Cl.** **D6/446**

The ornamental design for a dresser, as shown and described.

(58) **Field of Search** D6/436–439, 441,
D6/444–448; 312/114, 204, 224, 278–279

DESCRIPTION

(56) **References Cited**

FIG. 1 is a front-top perspective view of a dresser, showing my new design;

U.S. PATENT DOCUMENTS

FIG. 2 is a front elevational view thereof;

- D102,631 S * 1/1937 Fay D6/445
- D337,006 S * 7/1993 Black D6/446
- D351,074 S * 10/1994 Ferguson D6/446
- D363,838 S * 11/1995 Paus D6/446
- D374,784 S * 10/1996 Brunner et al. D6/445
- D376,057 S * 12/1996 Brunner et al. D6/445

FIG. 3 is a rear elevational view thereof;

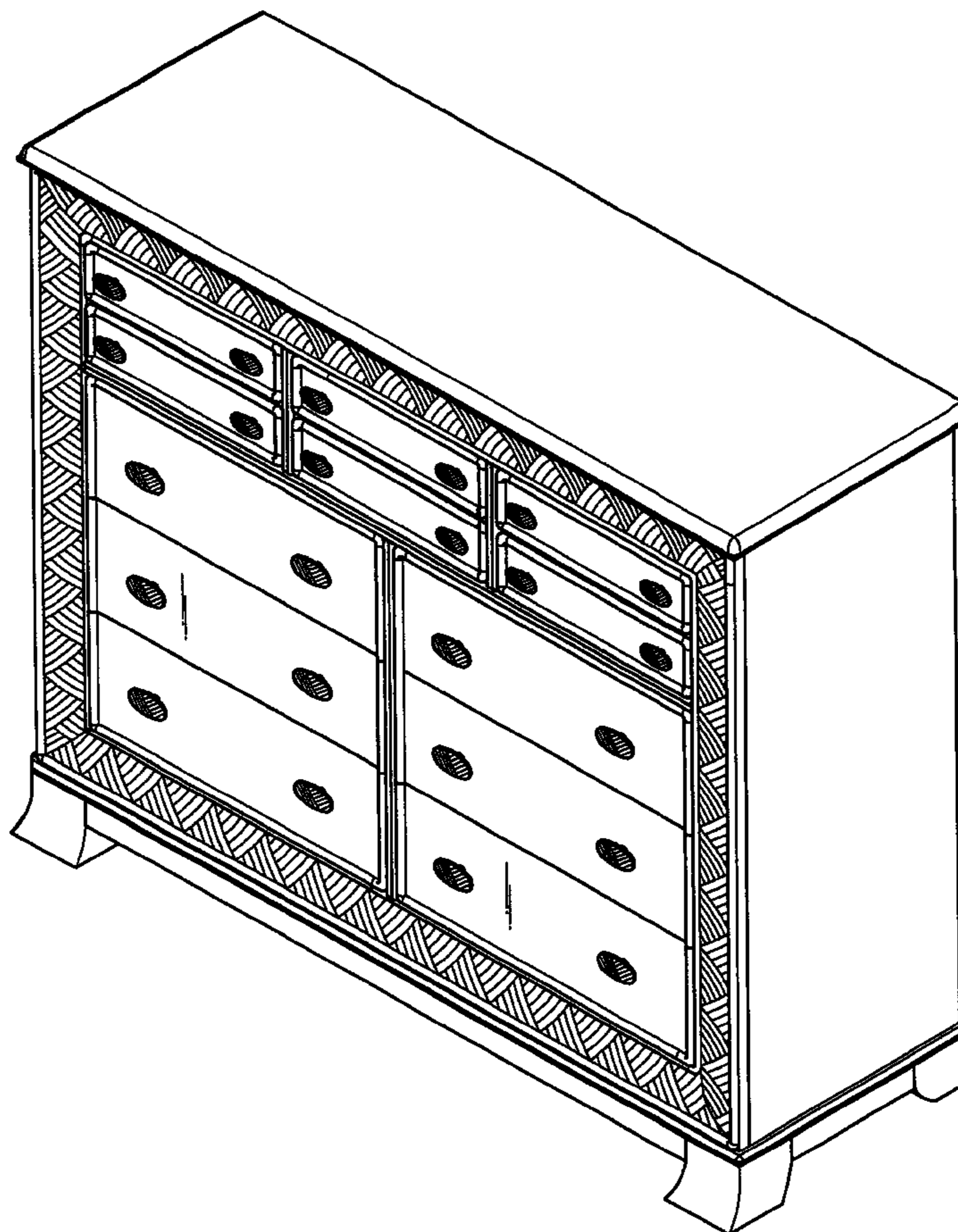
FIG. 4 is a left elevational view thereof; and

FIG. 5 is a right elevational view thereof;

FIG. 6 is a top plan view thereof; and,

FIG. 7 is a bottom plan view thereof.

1 Claim, 5 Drawing Sheets



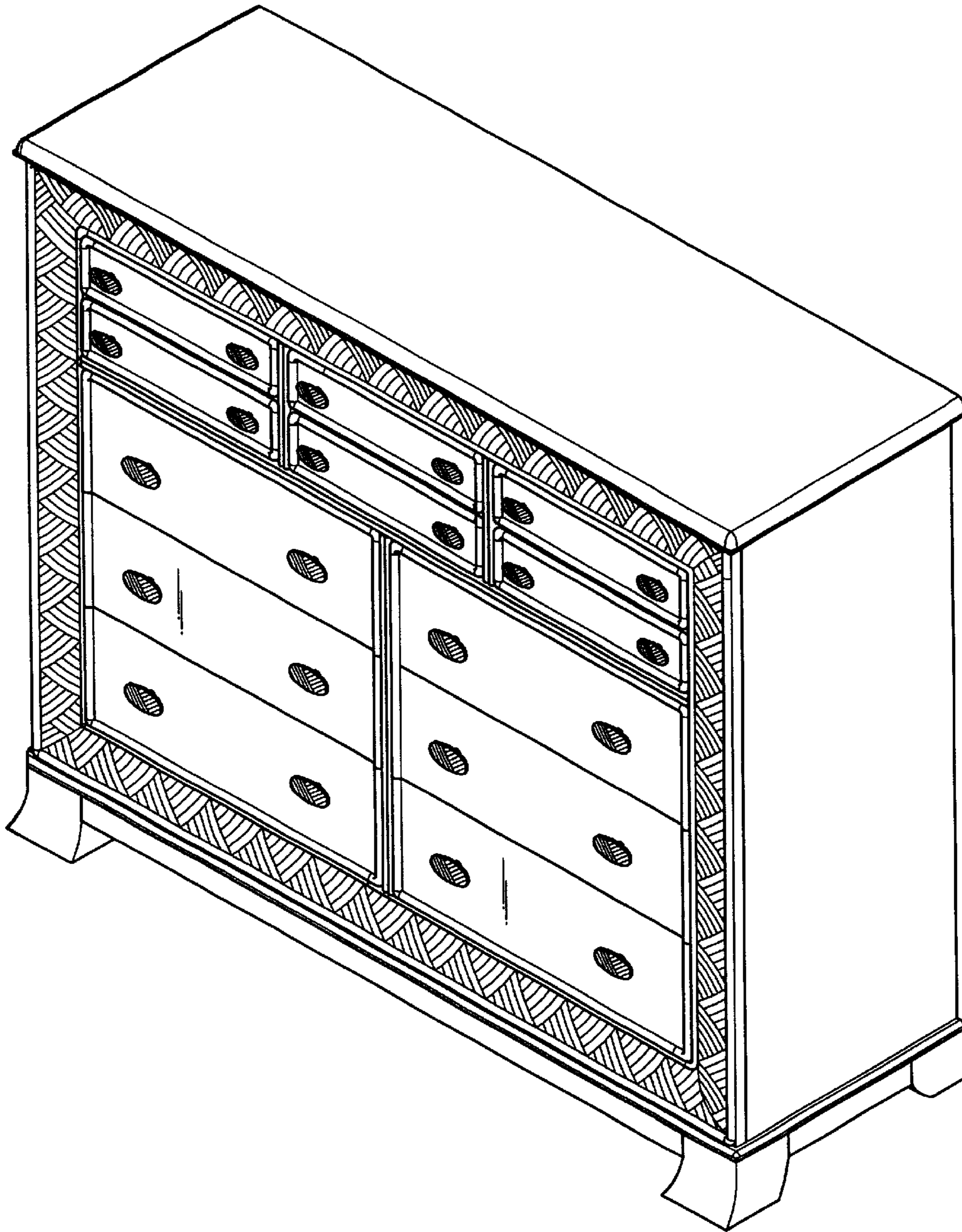


FIG.1

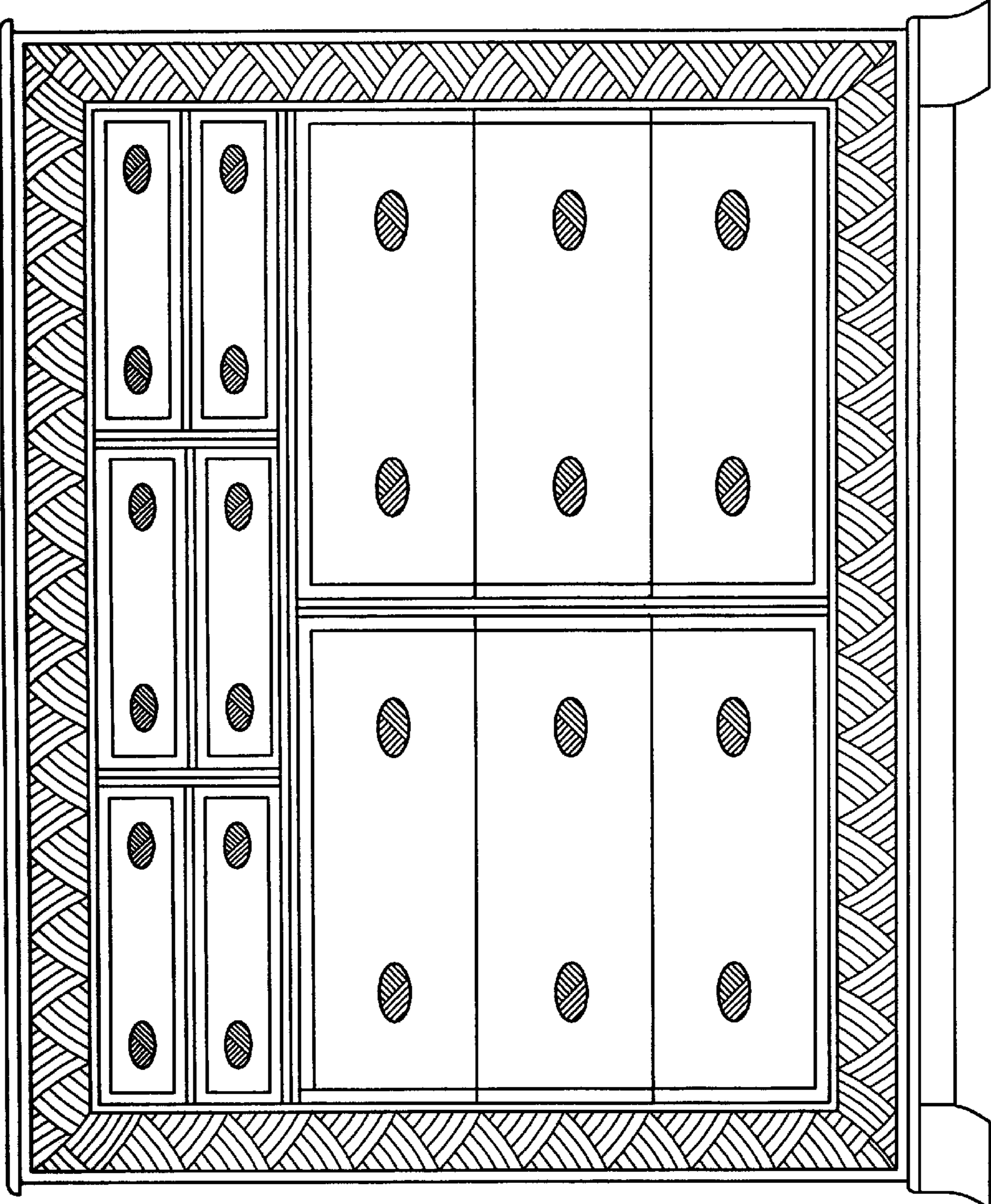


FIG.2

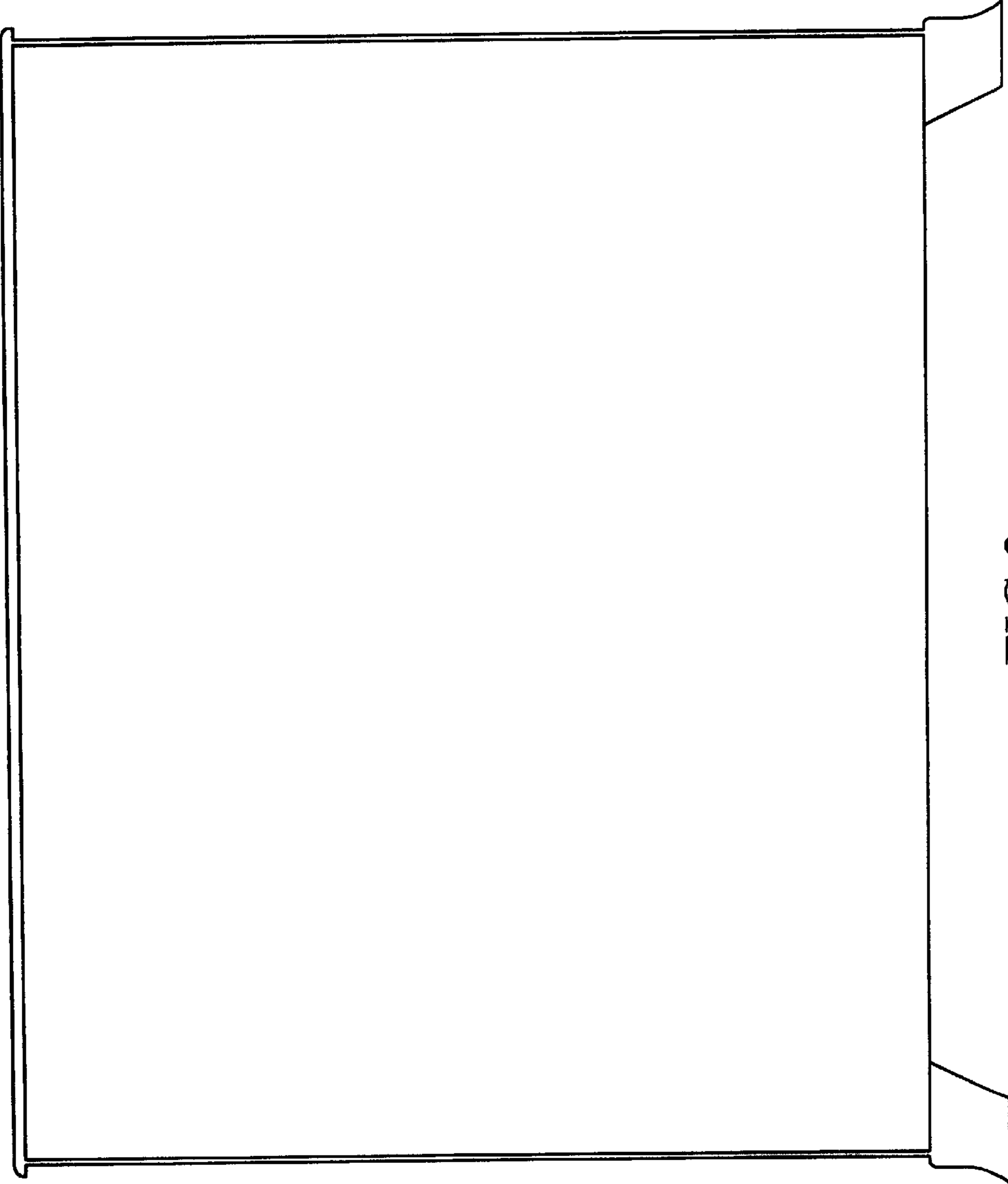


FIG.3

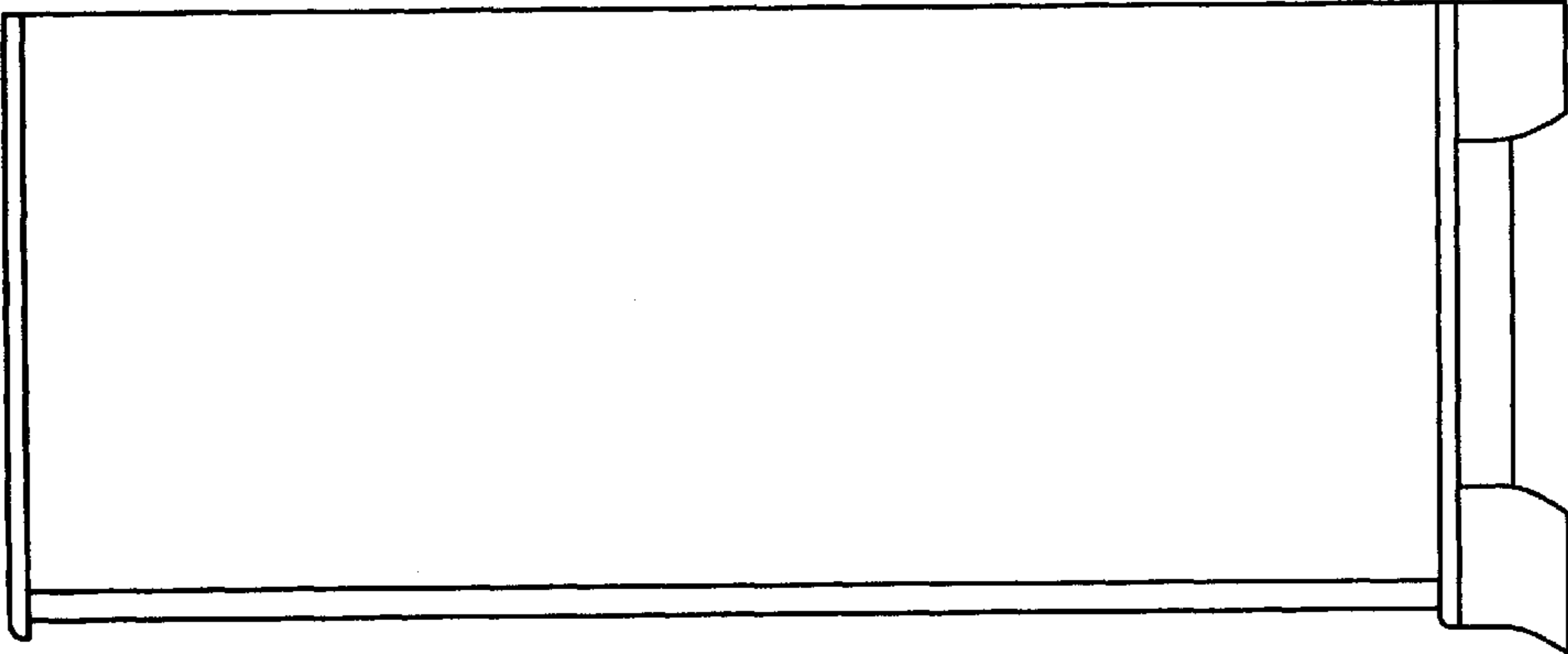


FIG.5

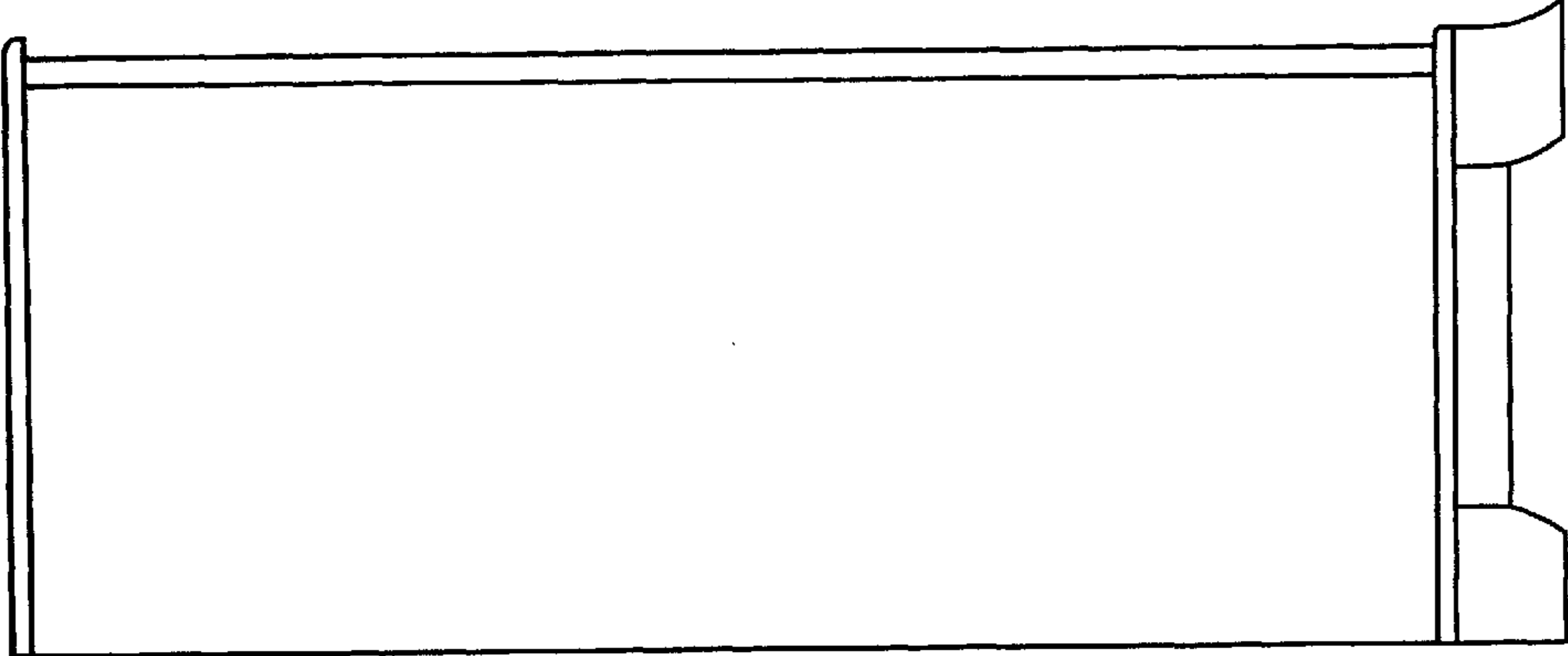


FIG.4

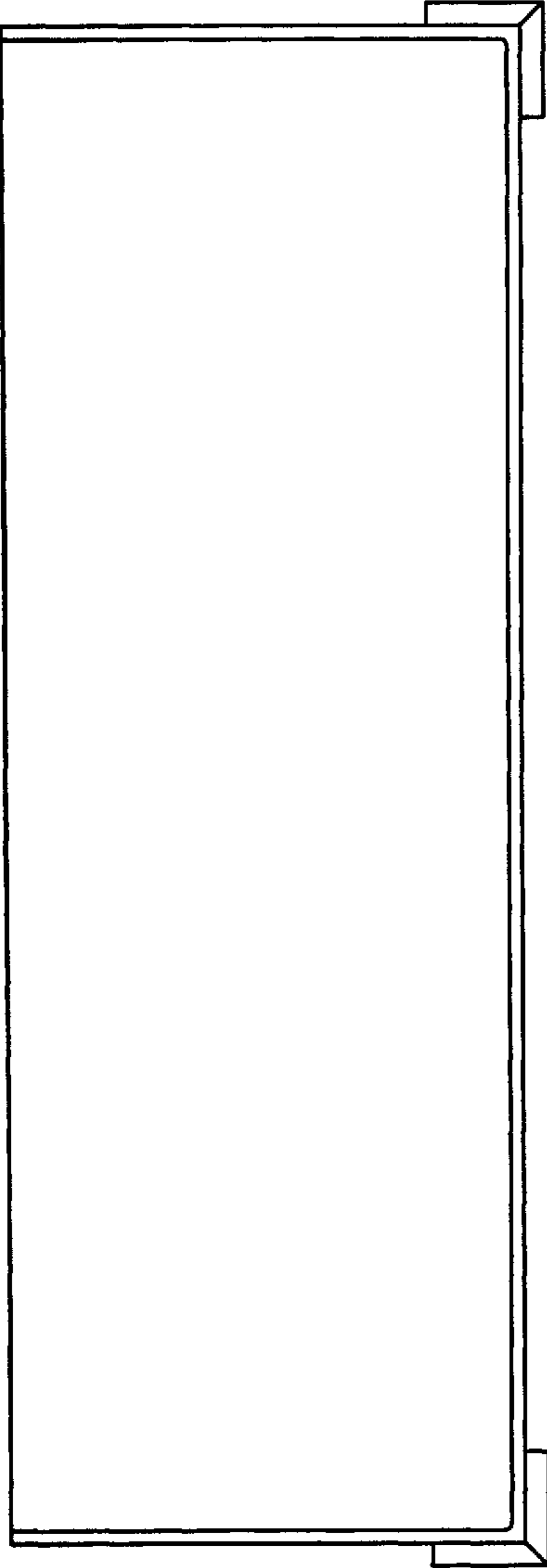


FIG. 6

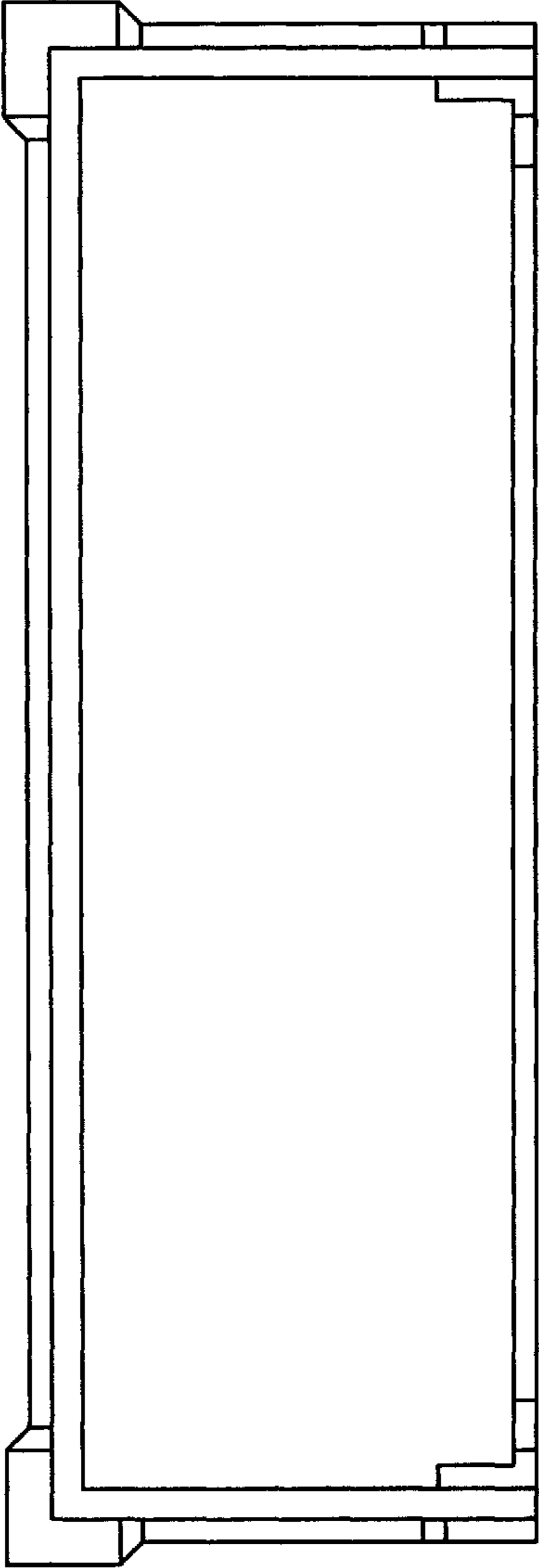


FIG. 7