

US00D505569S

(12) **United States Design Patent**
Mohundro

(10) **Patent No.:** **US D505,569 S**

(45) **Date of Patent:** **** May 31, 2005**

(54) **DRESSER**

(75) **Inventor:** **James Glenn Mohundro, Taichung (TW)**

(73) **Assignee:** **Pacific Marketing International Co., Ltd., Taichung (TW)**

(**) **Term:** **14 Years**

(21) **Appl. No.:** **29/192,146**

(22) **Filed:** **Oct. 21, 2003**

(51) **LOC (7) Cl.** **06-04**

(52) **U.S. Cl.** **D6/446**

(58) **Field of Search** D6/436-439, 441, D6/444-448; 312/114, 204, 224, 278-279

(56) **References Cited**

U.S. PATENT DOCUMENTS

- D450,475 S * 11/2001 Vaaler D6/441
- D450,477 S * 11/2001 McDaniel et al. D6/441
- D459,615 S * 7/2002 Stanton D6/446

- D469,627 S * 2/2003 Stanton D6/441
- D469,982 S * 2/2003 Warren et al. D6/432
- D489,921 S * 5/2004 Wanek et al. D6/441
- D490,626 S * 6/2004 Risdon et al. D6/441

* cited by examiner

Primary Examiner—Cathron Brooks

(74) *Attorney, Agent, or Firm*—Rosenberg, Klein & Lee

(57) **CLAIM**

The ornamental design for a dresser, as shown and described.

DESCRIPTION

FIG. 1 is a front-top perspective view of a dresser, showing my new design;

FIG. 2 is a front elevational view thereof;

FIG. 3 is a rear elevational view thereof;

FIG. 4 is a left elevational view thereof;

FIG. 5 is a right elevational view thereof;

FIG. 6 is a top plan view thereof; and,

FIG. 7 is a bottom plan view thereof.

1 Claim, 6 Drawing Sheets



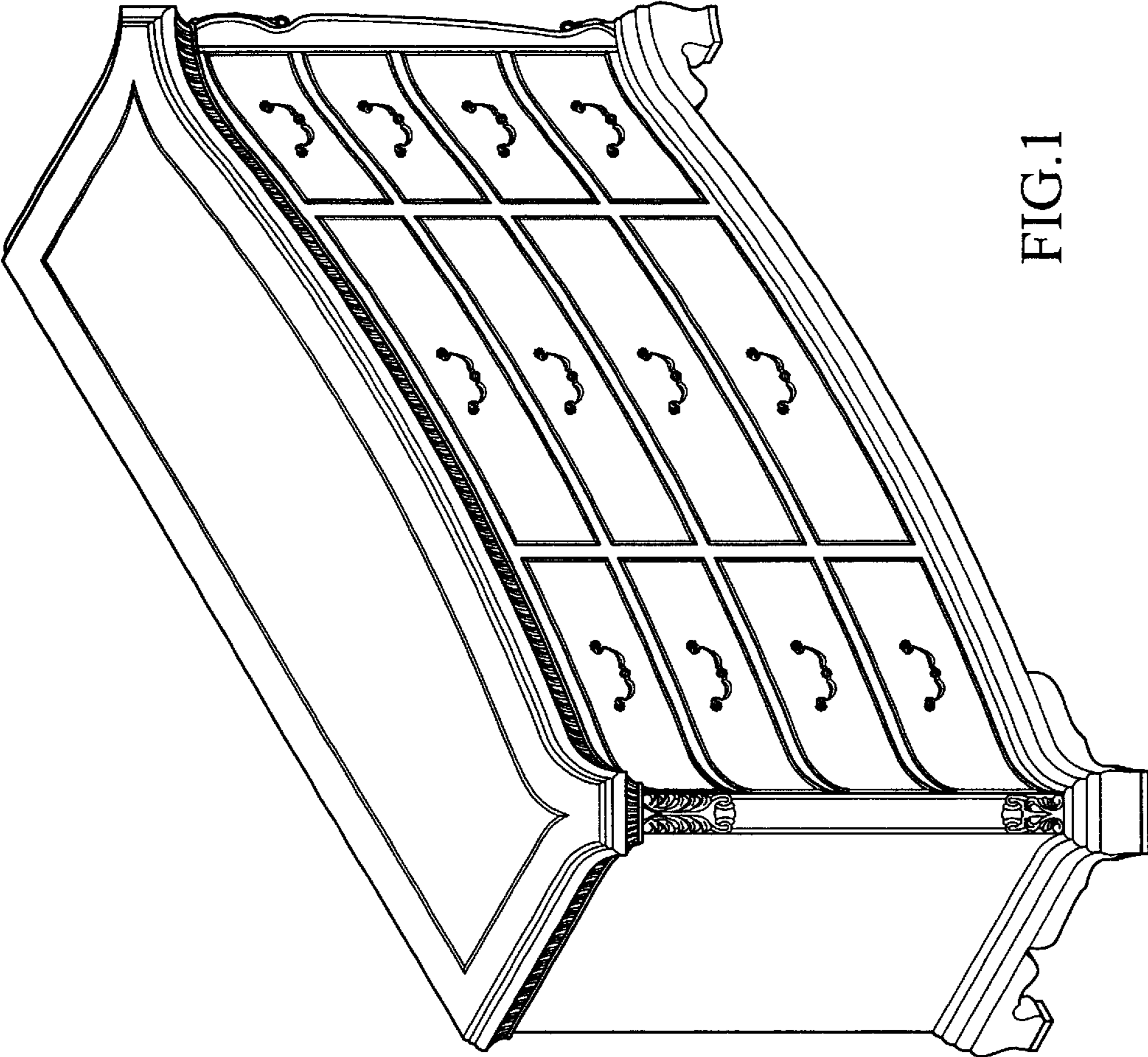


FIG.1

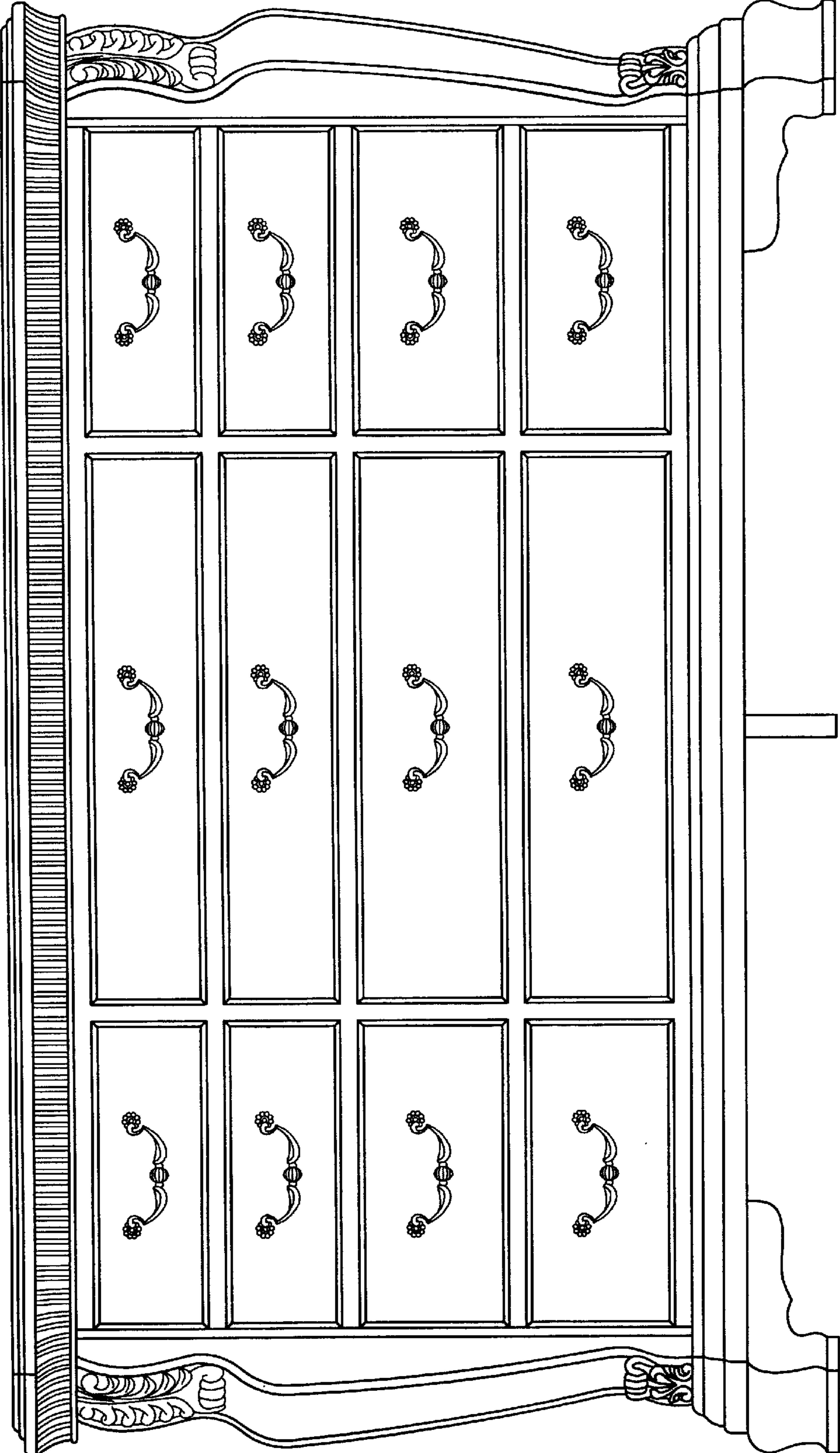


FIG.2

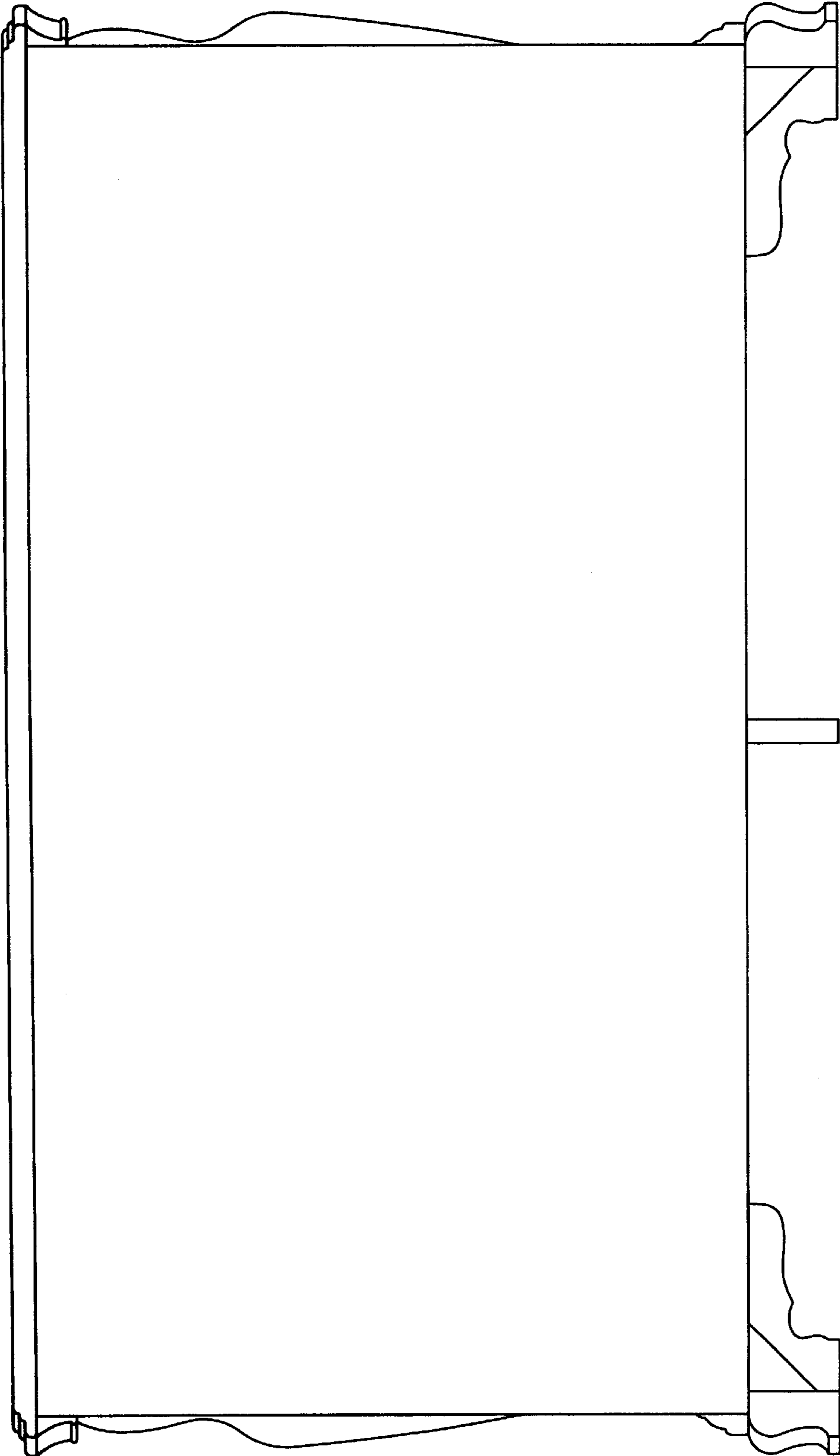


FIG.3

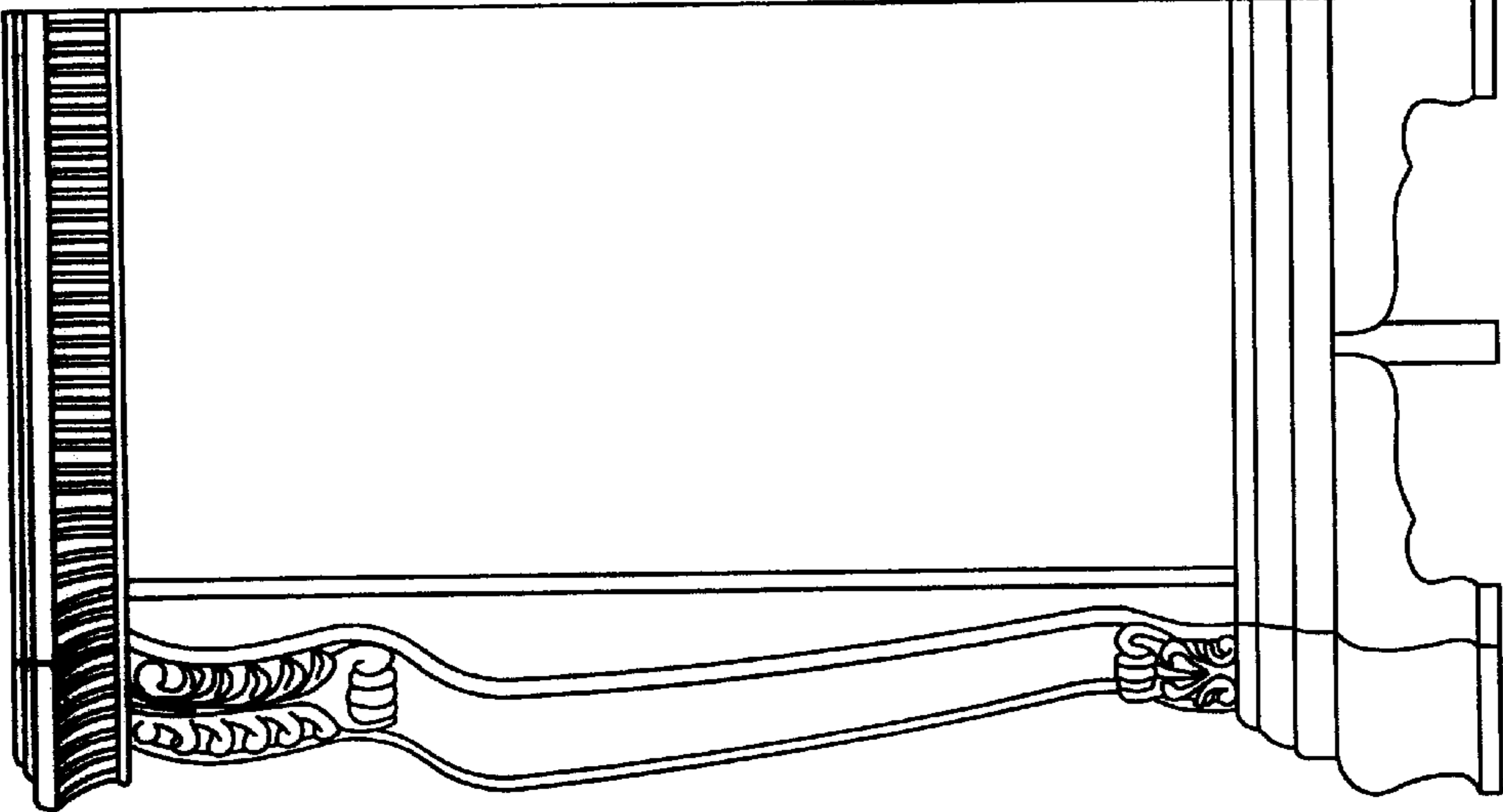


FIG.5

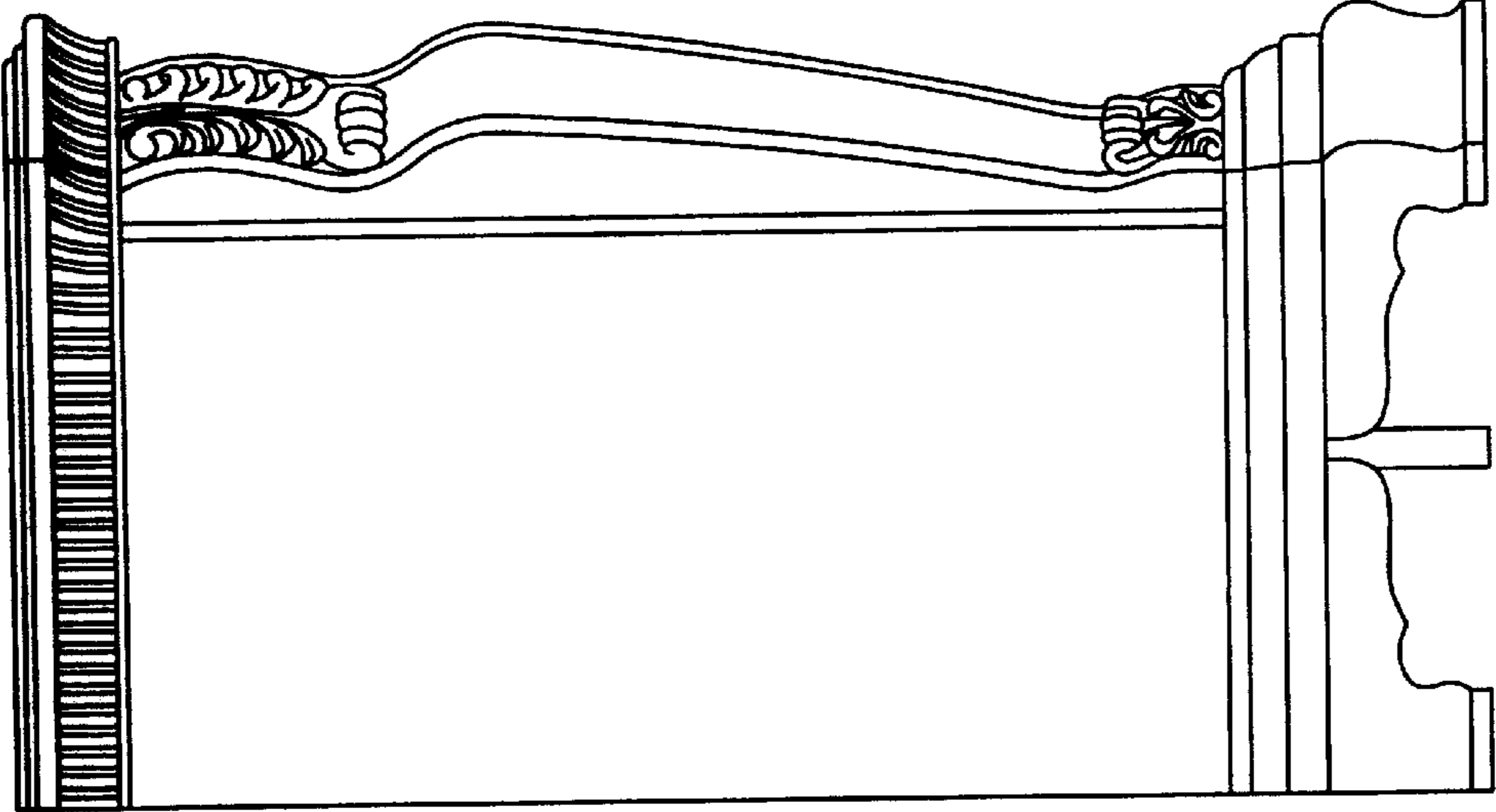


FIG.4

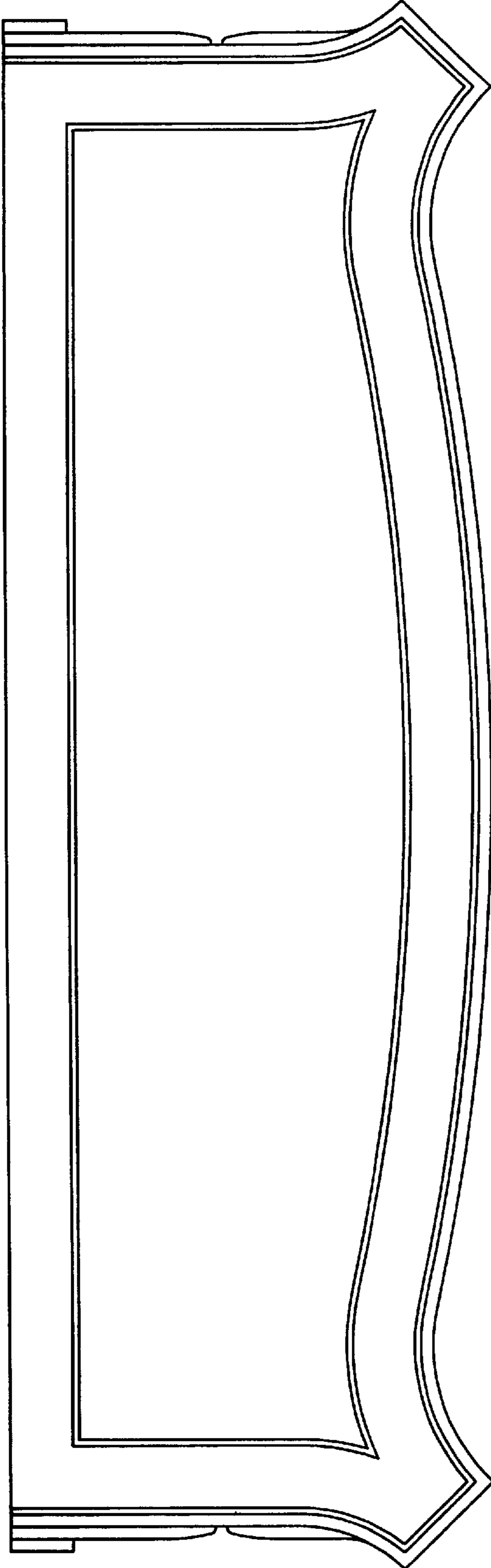


FIG.6

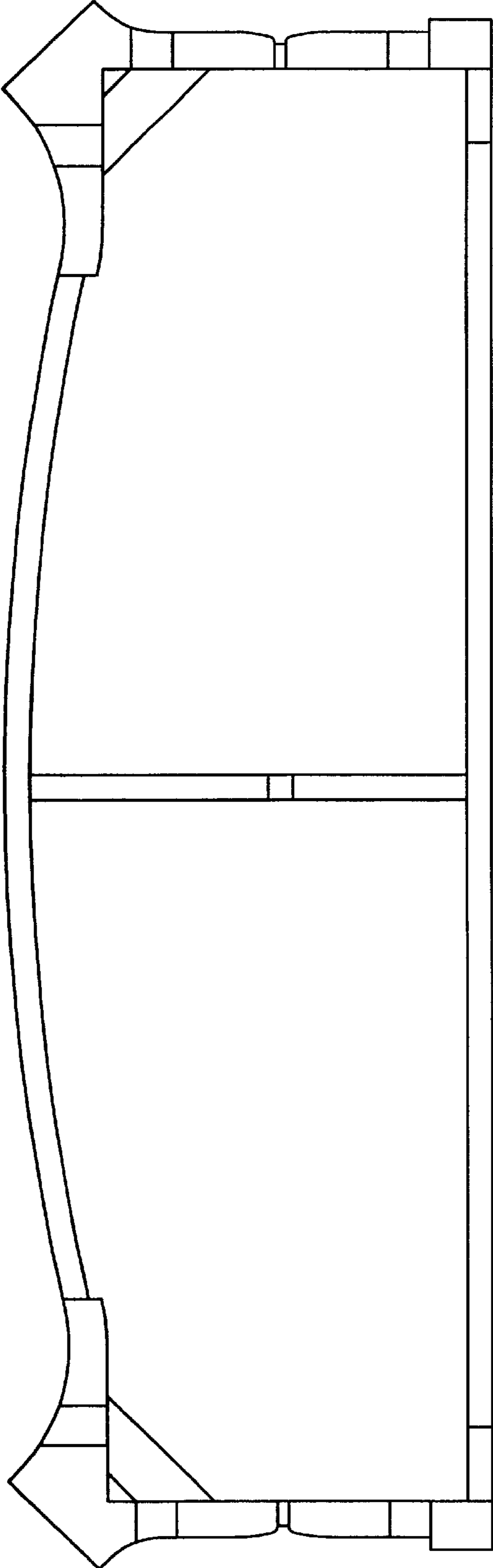


FIG. 7