



US00D505566S

(12) **United States Design Patent** (10) **Patent No.:** **US D505,566 S**
Juneau et al. (45) **Date of Patent:** **** May 31, 2005**

(54) **FURNITURE**

(75) Inventors: **Alain Juneau**, St-Jean-Chrysostome (CA); **Ivan Lacroix**, Sainte-Marie (CA)

(73) Assignee: **Baronet, Inc.** (CA)

(**) Term: **14 Years**

(21) Appl. No.: **29/190,652**

(22) Filed: **Sep. 24, 2003**

(51) **LOC (7) Cl.** **06-03**

(52) **U.S. Cl.** **D6/422**

(58) **Field of Search** D6/422-428, 480, D6/484, 474, 479, 511; 312/194-196, 208.1, 208.4; 108/50.01, 50.02, 91, 92

(56) **References Cited**

U.S. PATENT DOCUMENTS

- D90,254 S * 7/1933 McClure D6/428
- D216,597 S * 2/1970 Wallach D6/422
- D252,820 S * 9/1979 Olson D24/234
- D359,400 S * 6/1995 Ward D6/426

OTHER PUBLICATIONS

Pending U.S. Appl. No. 29/178,135, filed Mar. 21, 2003; 54 pages.

Item 309; Baronet java Brochure; Jul. 1997; front and back cover pages and p. 5.

* cited by examiner

Primary Examiner—Janice E. Seeger

(74) *Attorney, Agent, or Firm*—SAIDMAN DesignLaw Group

(57) **CLAIM**

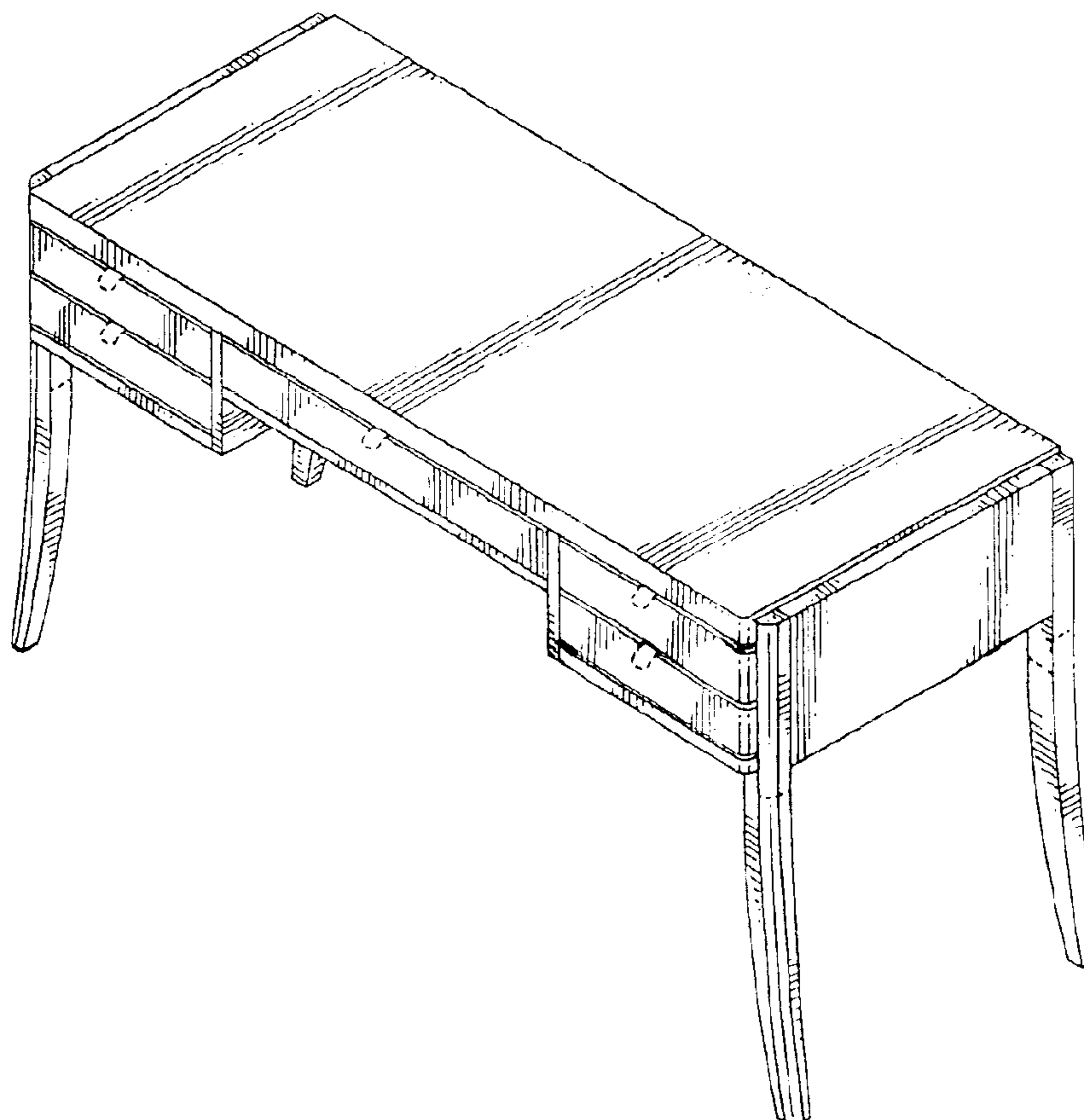
The ornamental design for furniture, as shown and described.

DESCRIPTION

FIG. 1 is a perspective view of a first embodiment of furniture showing our new design;
 FIG. 2 is a top view thereof;
 FIG. 3 is a front view thereof;
 FIG. 4 is a right-side view thereof, the left-side view being a mirror-image;
 FIG. 5 is a perspective view of a second embodiment of furniture showing our new design;
 FIG. 6 is a top view thereof;
 FIG. 7 is a front view thereof; and,
 FIG. 8 is a right-side view thereof, the left-side view being a mirror-image.

The broken lines are for environmental purposes only and form no part of the claimed design.

1 Claim, 8 Drawing Sheets



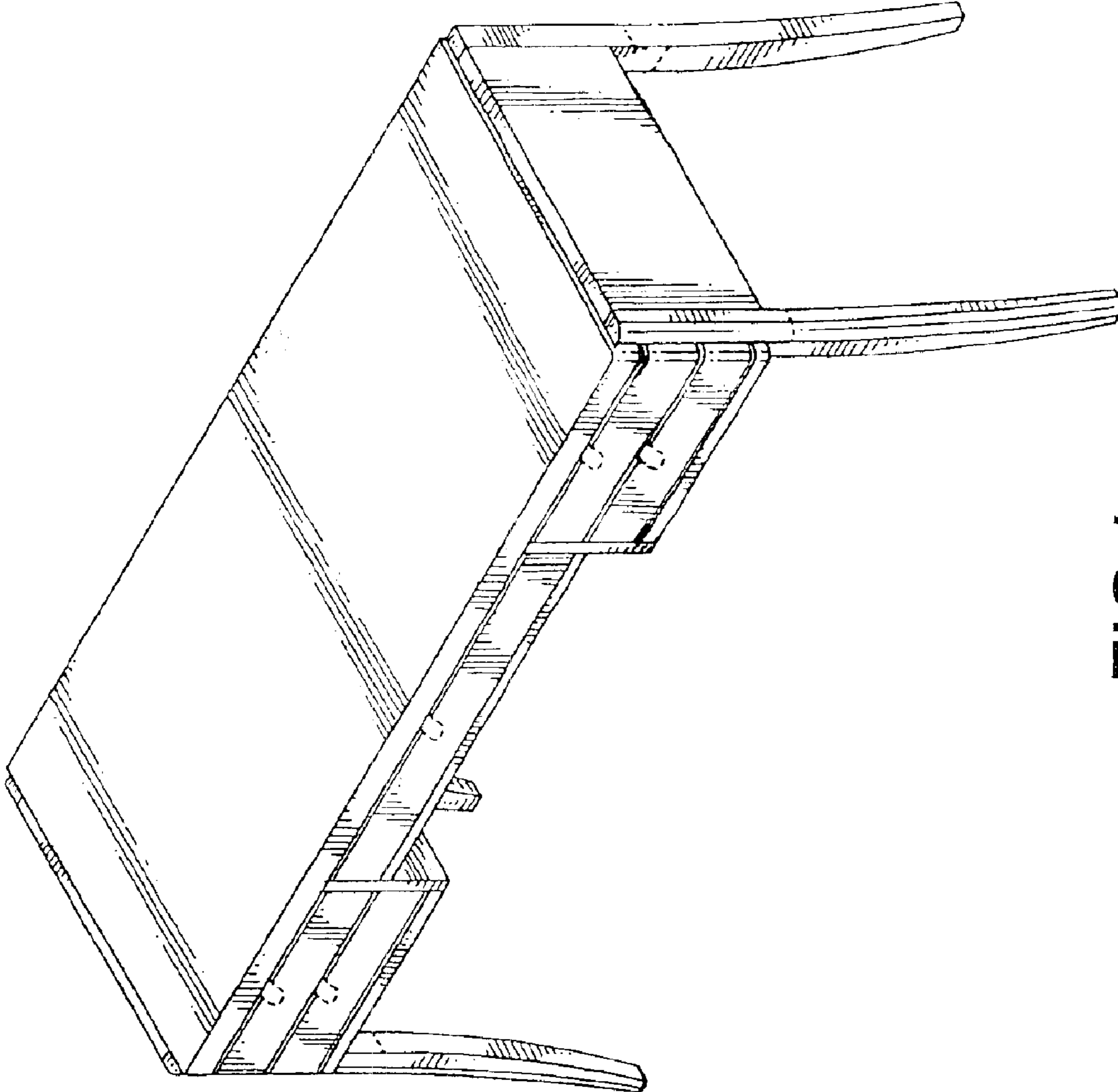


FIG.1

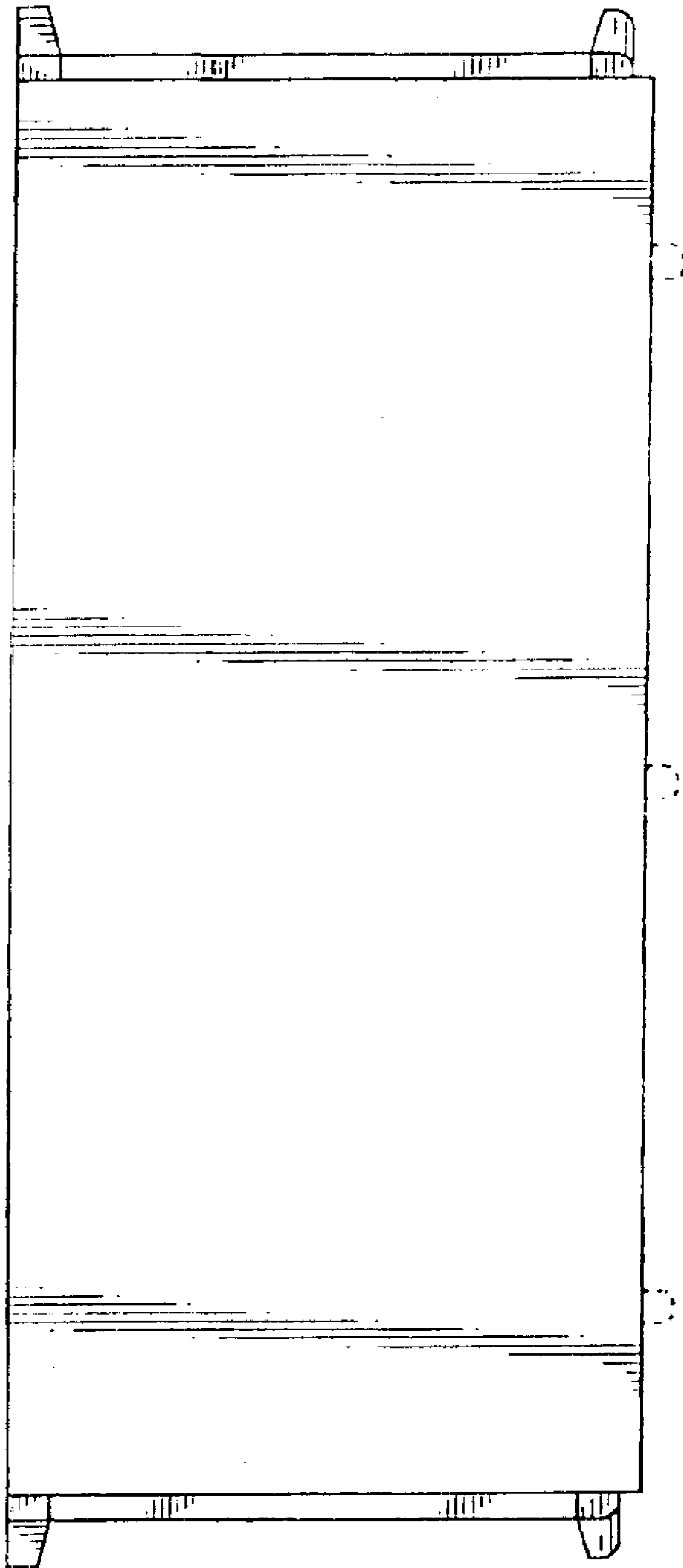


FIG. 2

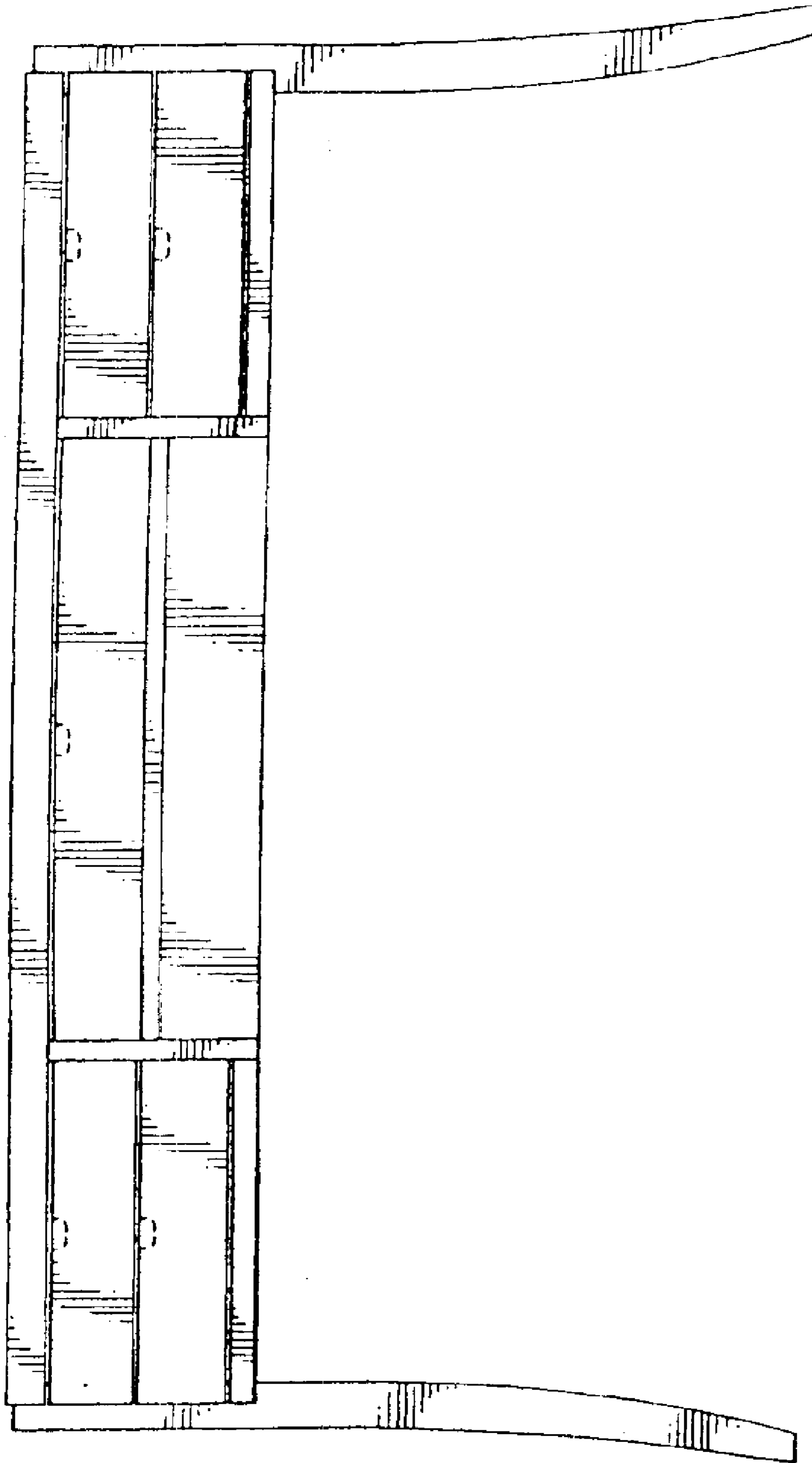


FIG.3

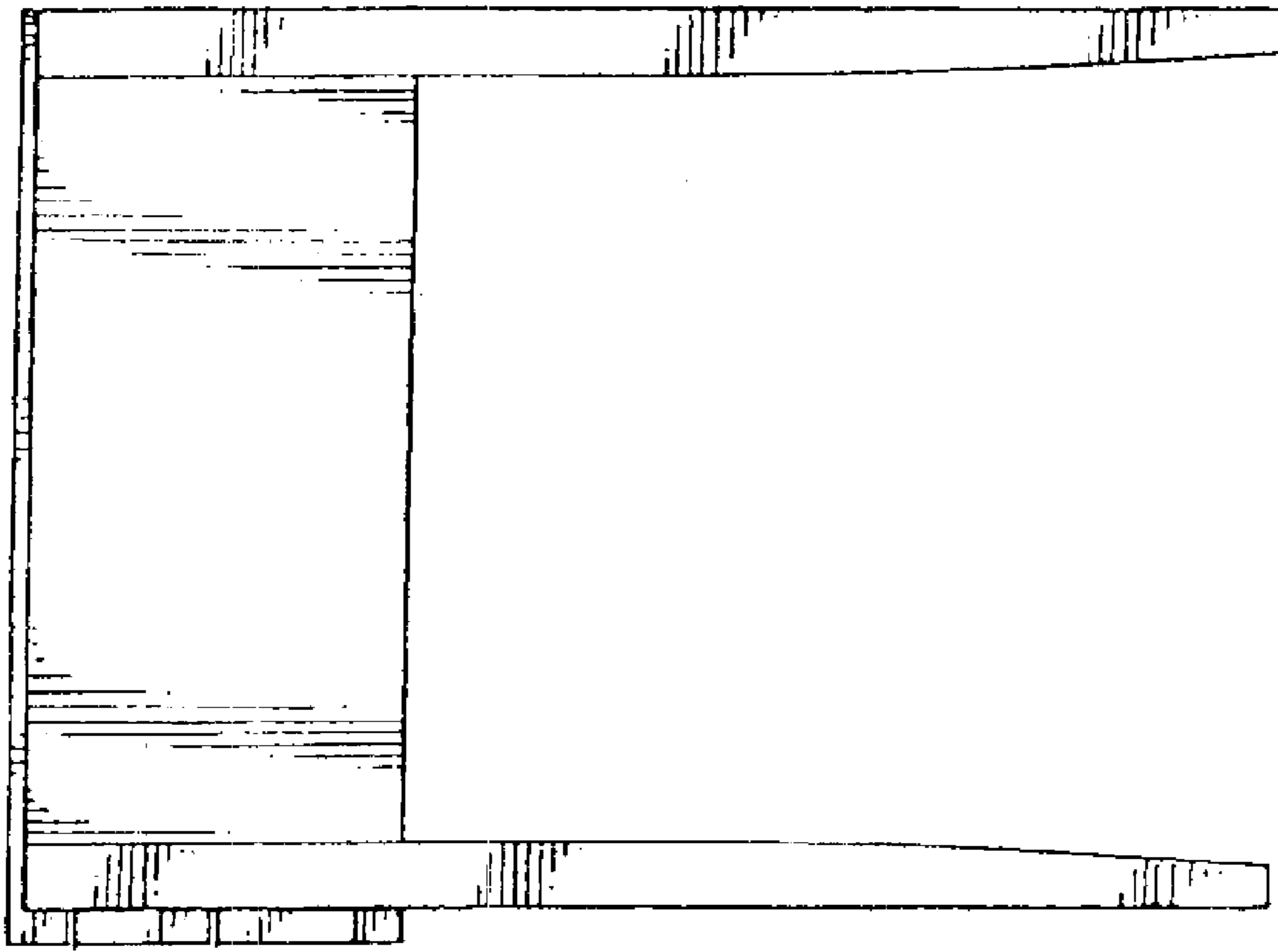


FIG.4

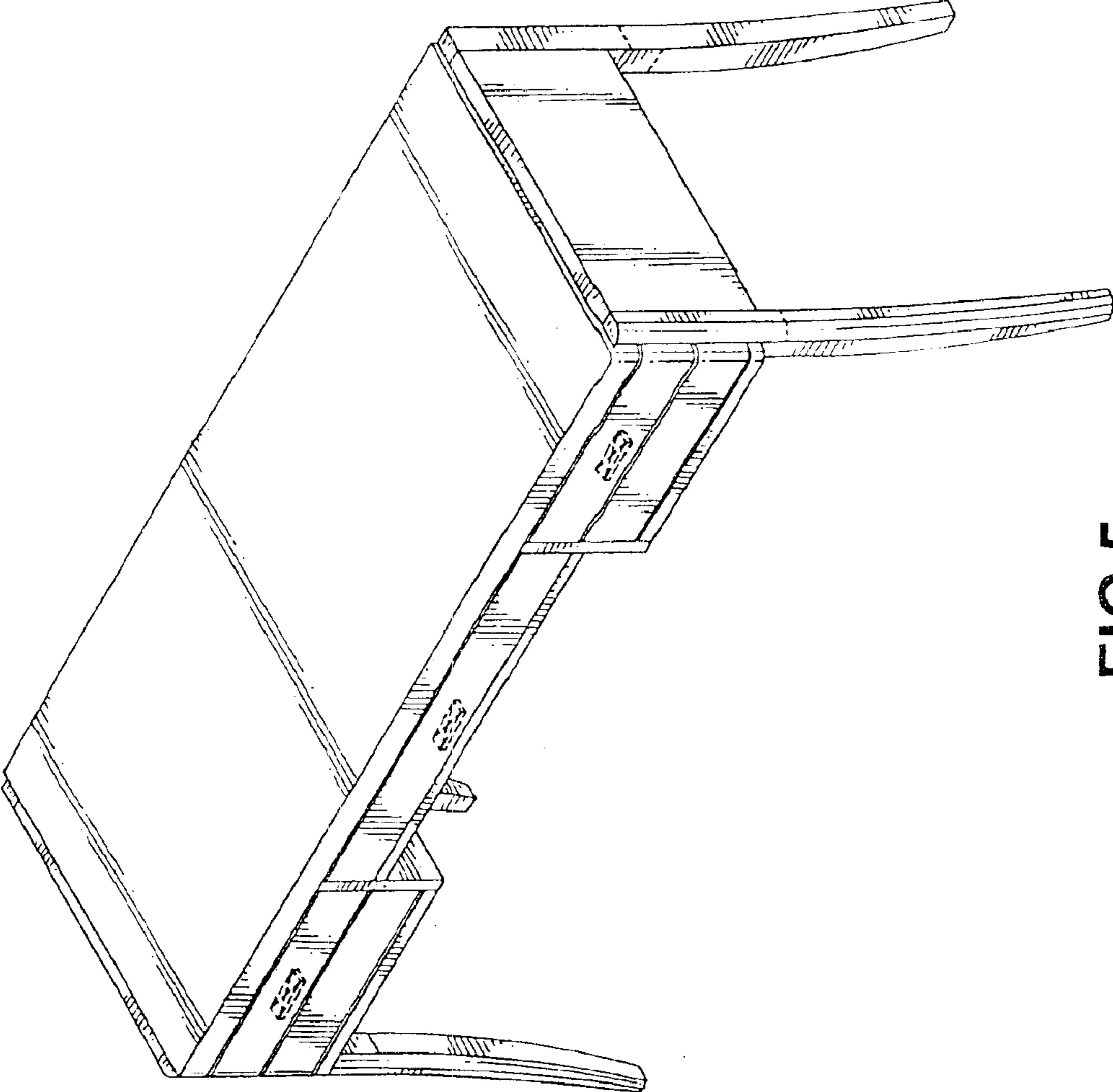


FIG.5

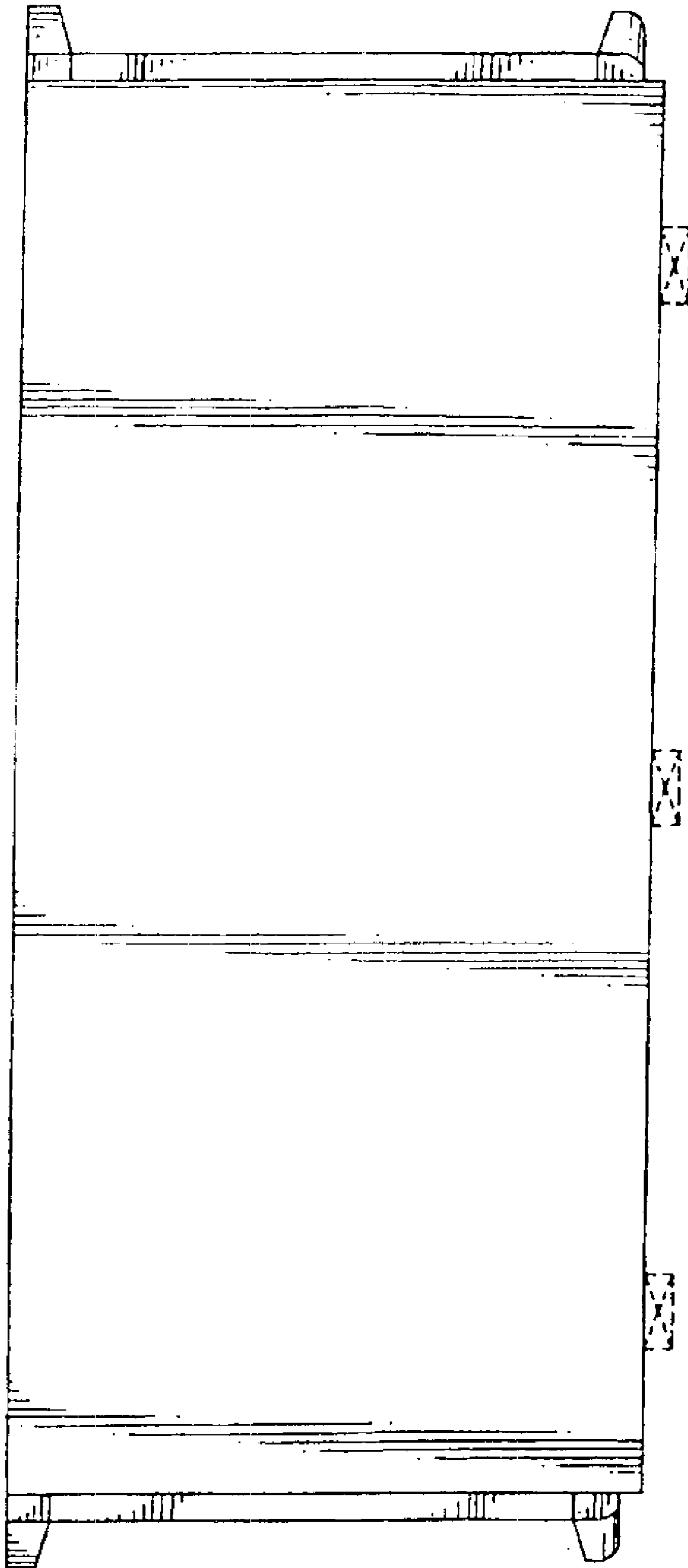


FIG. 6

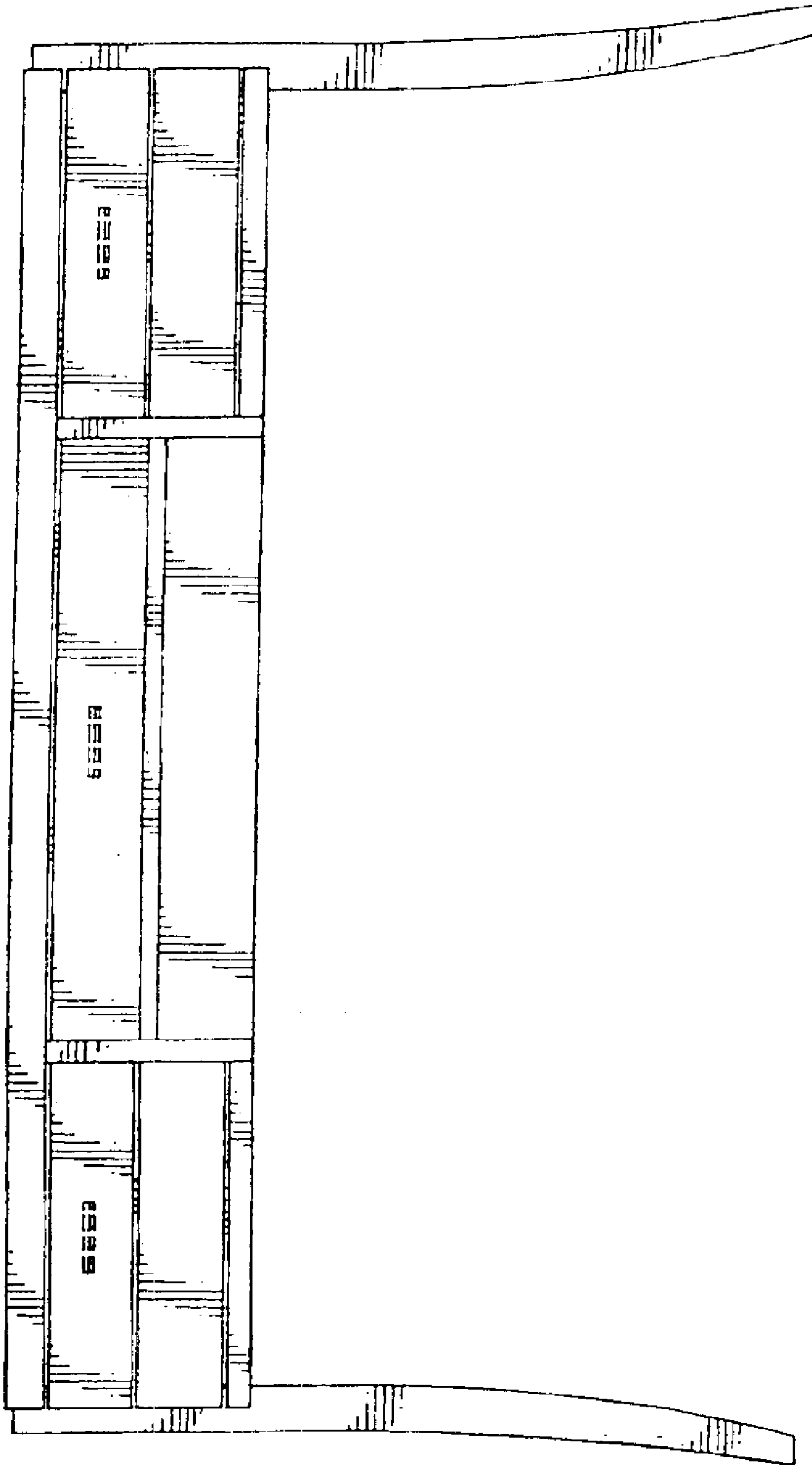


FIG. 7

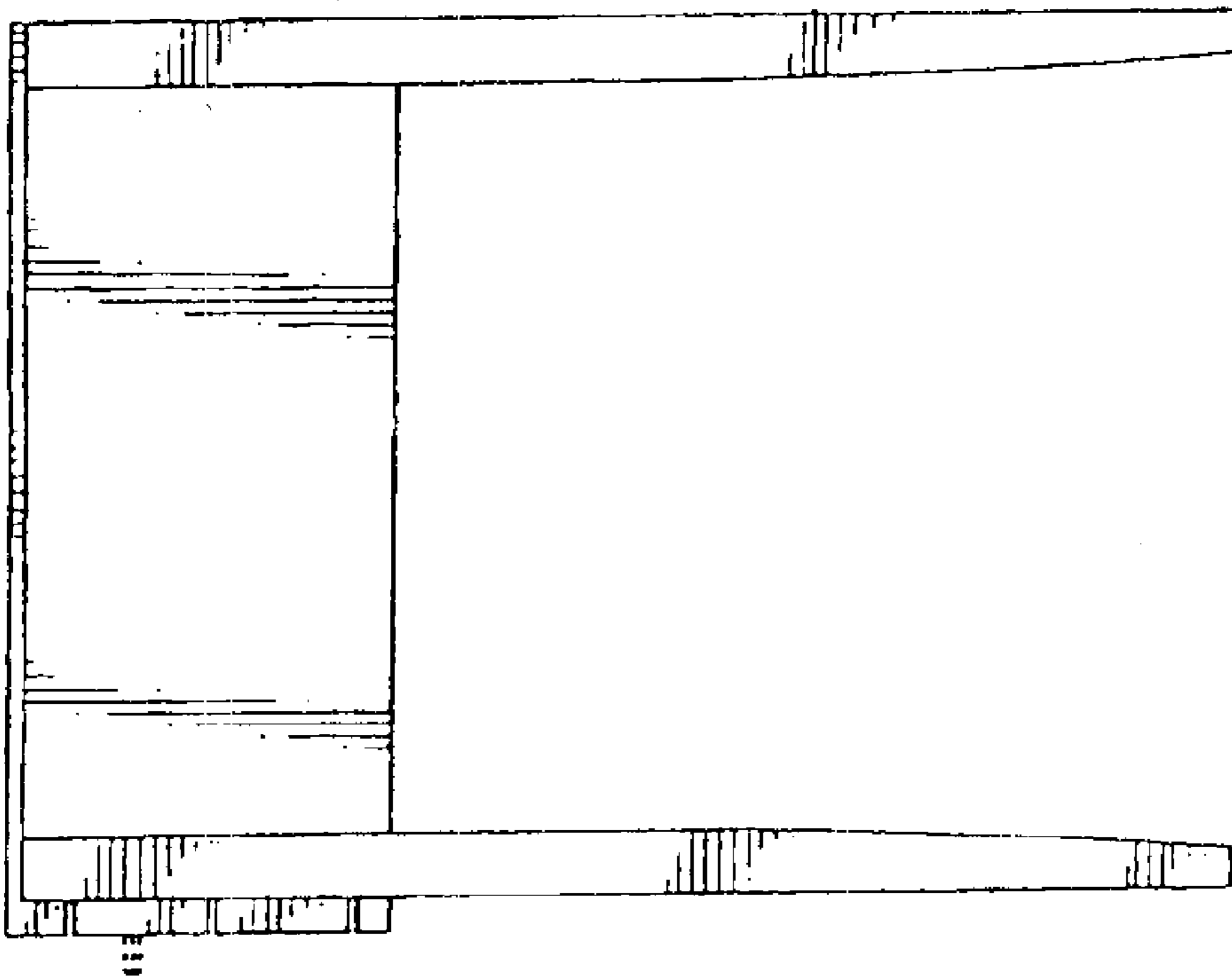


FIG. 8