

US00D505565S

(12) **United States Design Patent**
Chen

(10) **Patent No.:** **US D505,565 S**

(45) **Date of Patent:** **** May 31, 2005**

(54) **RETAINER CLIP FOR A DIGITAL VIDEO DISC BOX**

(75) **Inventor:** **Bai Jun Chen, Zhu Hai (CN)**

(73) **Assignee:** **Glory Pleasure Development Limited, Sheung Wan (HK)**

(**) **Term:** **14 Years**

(21) **Appl. No.:** **29/182,093**

(22) **Filed:** **May 21, 2003**

(30) **Foreign Application Priority Data**

Nov. 22, 2002 (HK) 0211928

(51) **LOC (7) Cl.** **06-04**

(52) **U.S. Cl.** **D6/407**

(58) **Field of Search** D6/407, 626-635;
206/307.1, 308.1, 308.2, 308.3, 309, 311,
312, 387.11, 387.12, 387.15; 369/37, 75.2,
291; 379/355

(56) **References Cited**

U.S. PATENT DOCUMENTS

- D318,368 S * 7/1991 Evans D6/634
- 5,950,822 A * 9/1999 Cloran et al. 206/310
- 6,085,900 A * 7/2000 Wong 206/308.1
- 6,123,192 A * 9/2000 Rufo, Jr. 206/310
- 6,170,656 B1 * 1/2001 Cerda-Vilaplana
et al. 206/308.1
- 6,237,763 B1 * 5/2001 Lau 206/308.1
- 6,241,089 B1 * 6/2001 Grobecker 206/310
- D451,299 S * 12/2001 Cheng D6/407
- D452,105 S * 12/2001 Chan D6/635

- 6,347,702 B1 * 2/2002 Bruderer et al. 206/310
- 6,382,415 B1 * 5/2002 Cha 206/310
- 6,398,022 B1 * 6/2002 Mou et al. 206/308.1
- 6,401,920 B2 * 6/2002 Gelardi 206/308.1
- D466,718 S * 12/2002 Abeyta, Jr. et al. D6/407
- 6,547,068 B2 * 4/2003 Chu 206/310
- 6,568,526 B1 * 5/2003 Reinhardt et al. 206/310
- 6,609,614 B1 * 8/2003 Huang 206/308.1
- D485,698 S * 1/2004 Yu D6/407
- 2001/0040108 A1 * 11/2001 Gelardi 206/308.1
- 2001/0047947 A1 * 12/2001 Lau
- 2003/0019771 A1 * 1/2003 Iandoli
- 2004/0020801 A1 * 2/2004 Solling 206/308.1

* cited by examiner

Primary Examiner—Celia A. Murphy

(74) *Attorney, Agent, or Firm*—Burns, Doane, Swecker & Mathis, L.L.P.

(57) **CLAIM**

The ornamental design for a “a retainer clip for a digital video disc box,” as shown and described.

DESCRIPTION

FIG. 1 is a perspective view of a “a retainer clip for a digital video disc box” showing my design in an intended environment;

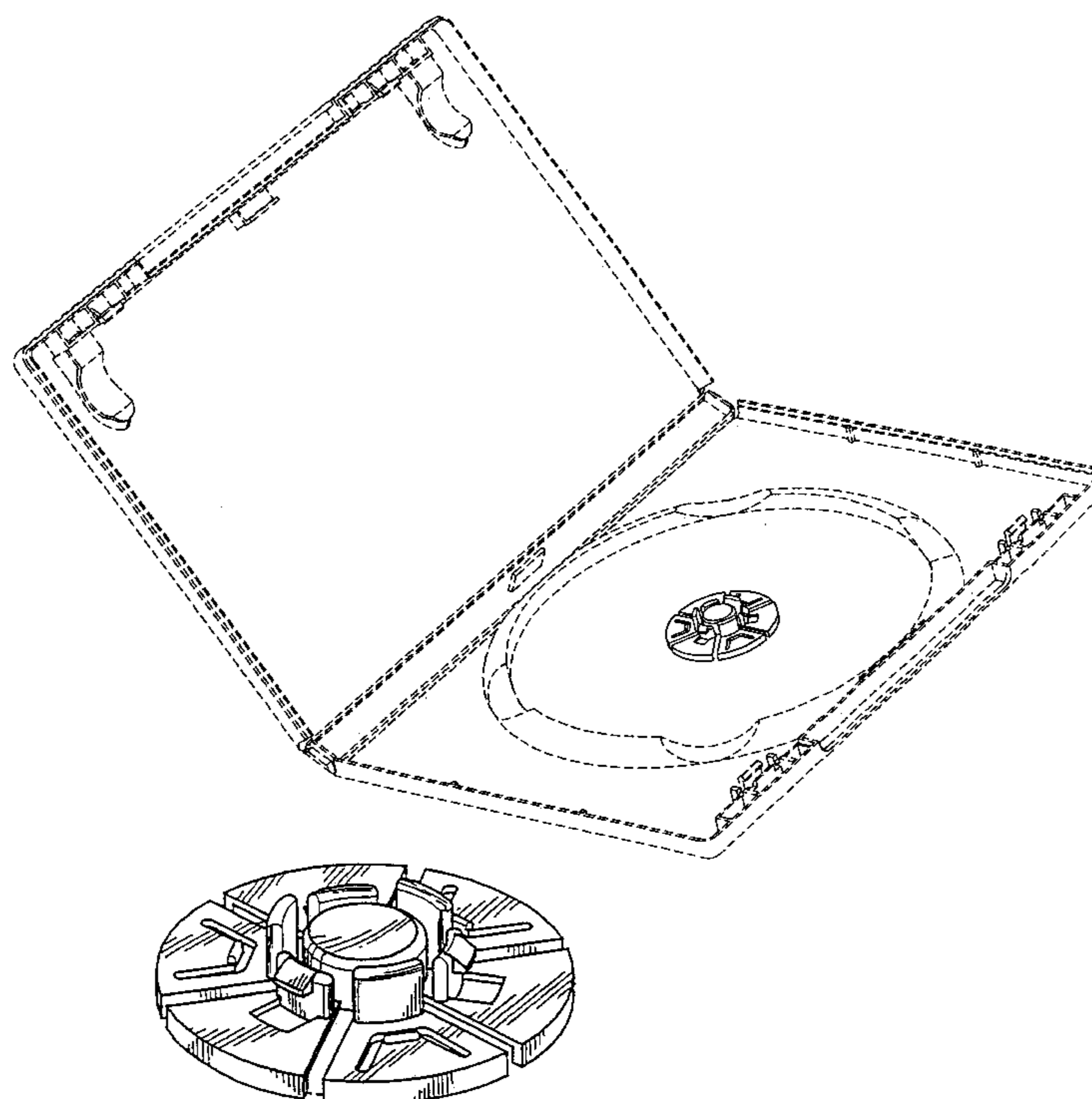
FIG. 2 is a top plan view thereof;

FIG. 3 is a rear view thereof; and,

FIG. 4 is a perspective view thereof in isolation.

Subject matter depicted in broken lines illustrates the intended environment of an article incorporating the retainer clip, and does not form part of the claimed design.

1 Claim, 4 Drawing Sheets



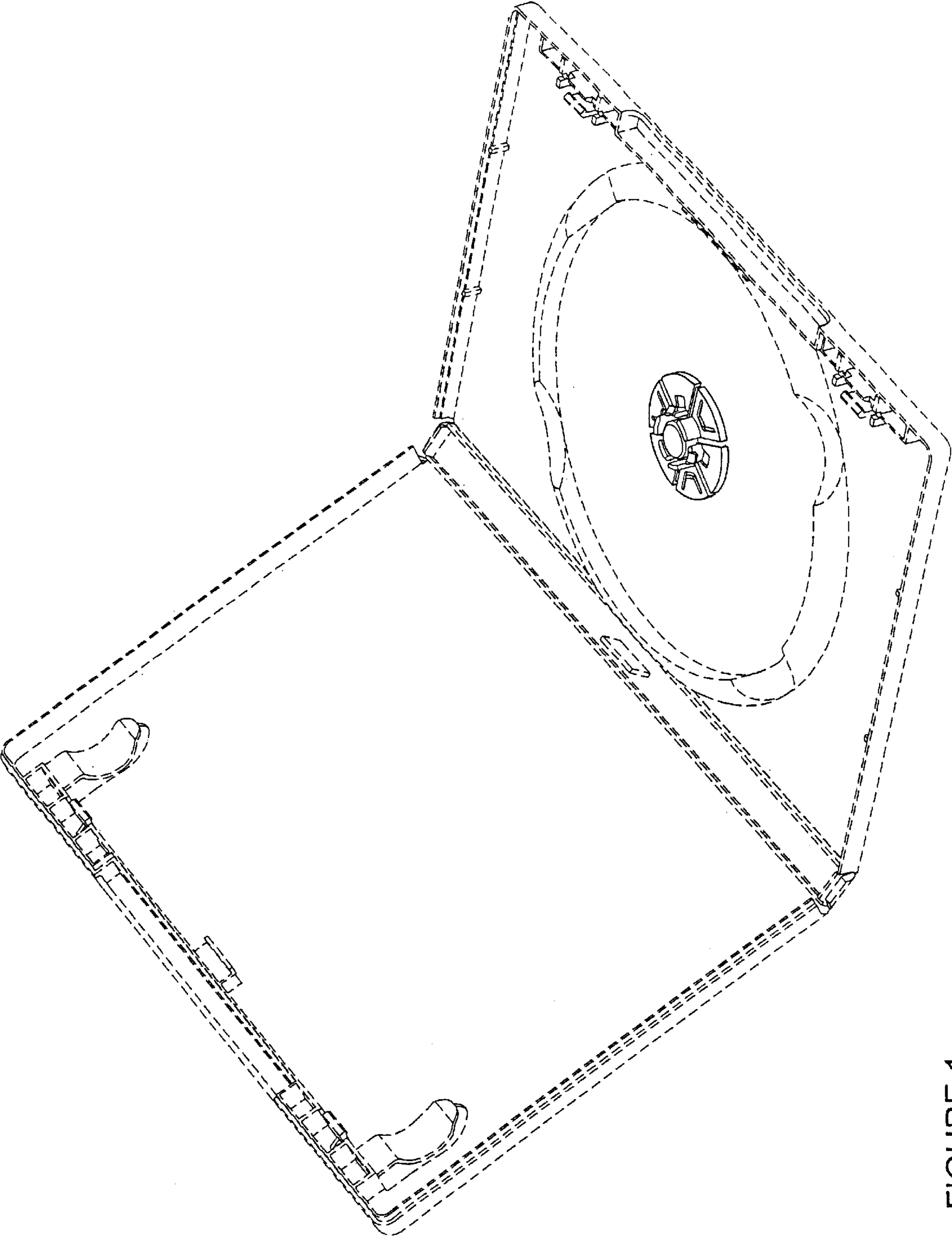


FIGURE 1

FIGURE 2

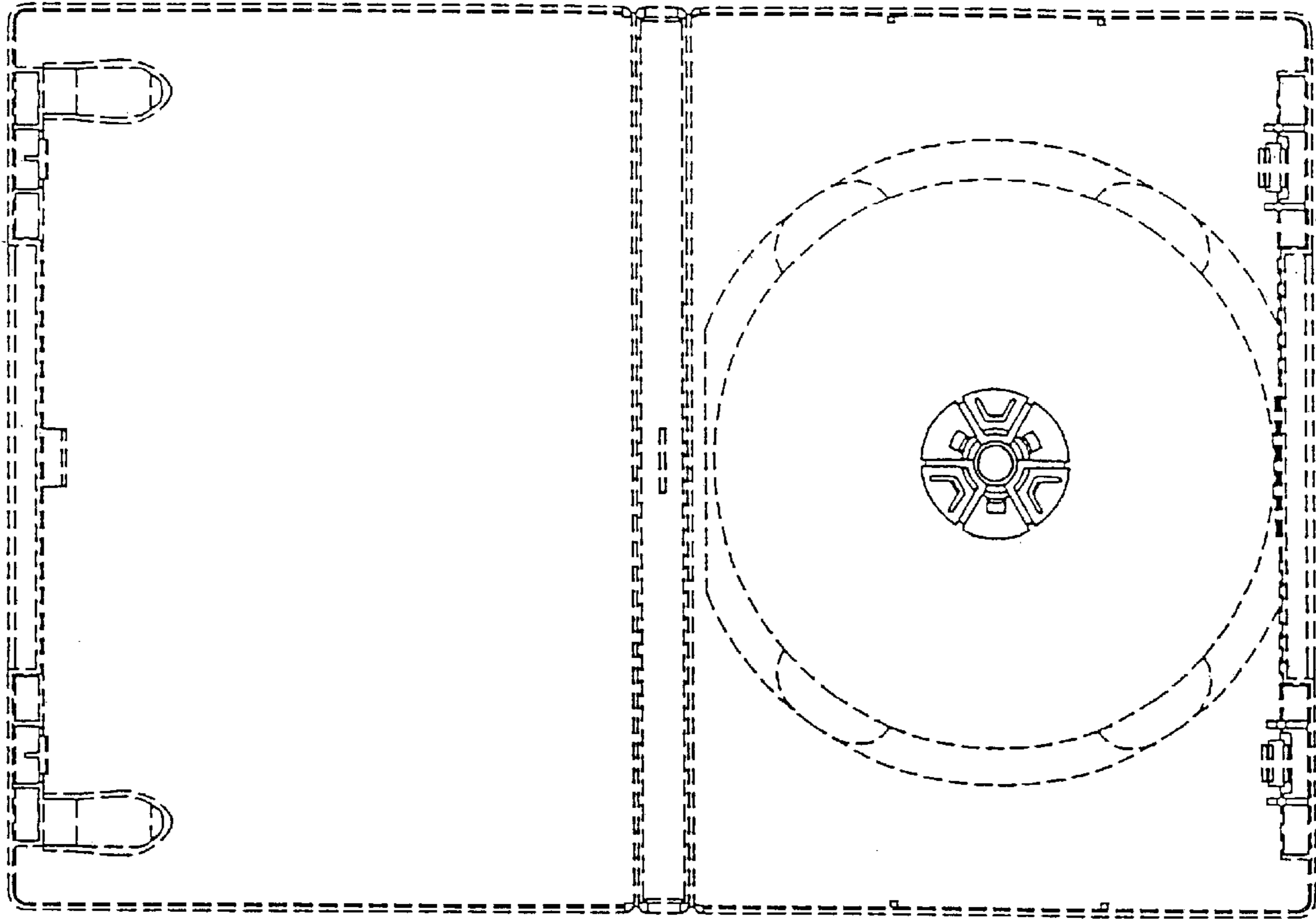


FIGURE 3

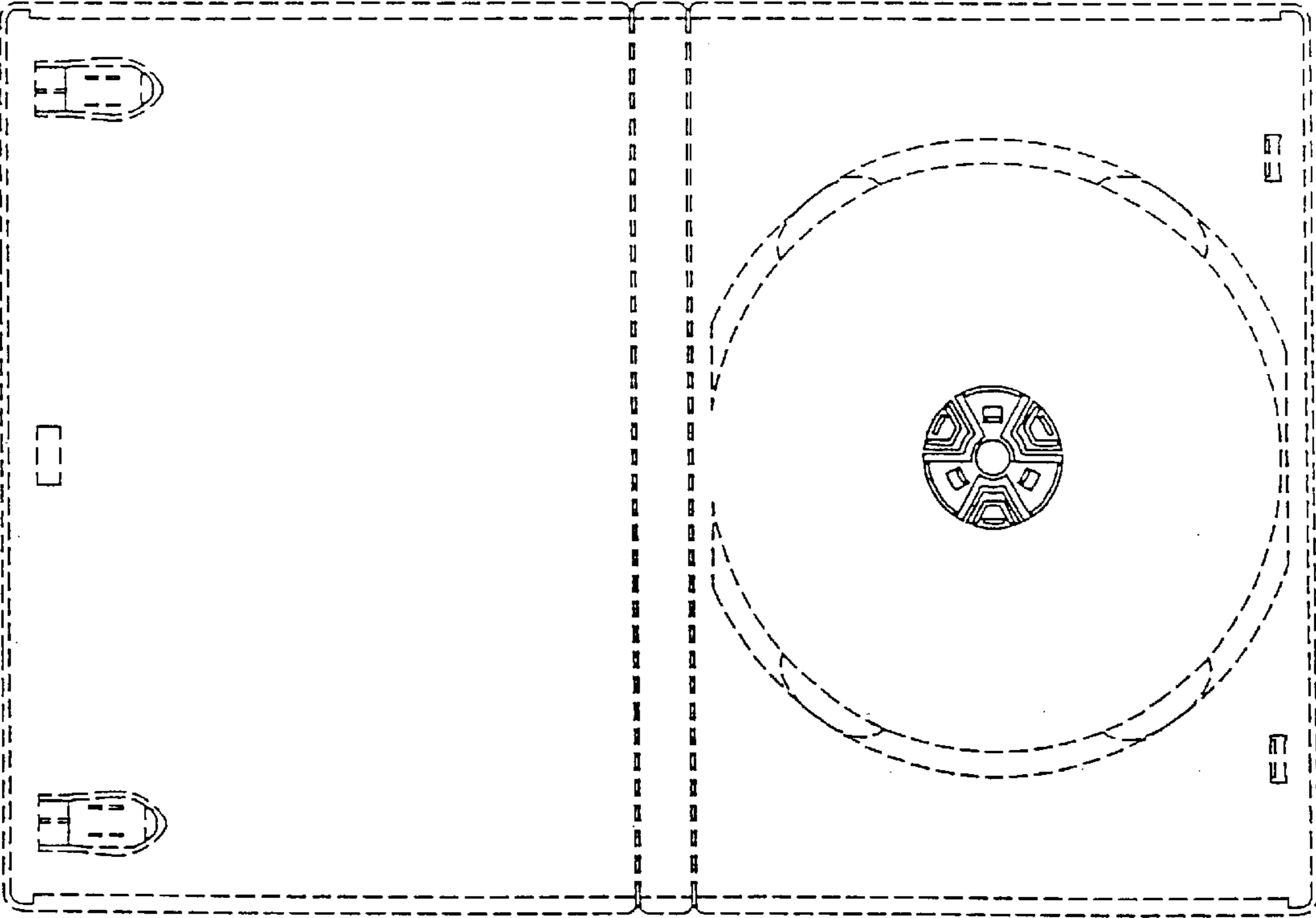


FIGURE 4

