

US00D505561S

(12) **United States Design Patent** (10) **Patent No.:** **US D505,561 S**
Ricci (45) **Date of Patent:** **** May 31, 2005**

(54) **CHAIR**

(75) Inventor: **Luca Ricci**, Forli (IT)

(73) Assignee: **DeCoro Ltd.**, Fanling (HK)

(**) Term: **14 Years**

(21) Appl. No.: **29/194,672**

(22) Filed: **Nov. 25, 2003**

(51) **LOC (7) Cl.** **06-01**

(52) **U.S. Cl.** **D6/369**

(58) **Field of Search** D6/334, 335, 364,
D6/369, 381, 500-502; 297/451.9, 452.64

(56) **References Cited**

U.S. PATENT DOCUMENTS

D70,187 S	*	5/1926	Ruben	D6/334
D234,329 S		2/1975	Rocchia		
D268,550 S	*	4/1983	Coggin	D6/364
D380,094 S		6/1997	Chandler		
D381,217 S		7/1997	Chandler		
D384,215 S		9/1997	Chandler		
D388,260 S		12/1997	Natuzzi et al.		
D399,361 S		10/1998	Natuzzi et al.		
D399,363 S		10/1998	Natuzzi et al.		
D399,364 S		10/1998	Natuzzi et al.		
D400,719 S	*	11/1998	Gera	D6/334
D405,966 S		2/1999	Hutton		
D406,954 S	*	3/1999	Riboldi	D6/381
D410,800 S		6/1999	Gomez		
D422,156 S		4/2000	Black		
D422,422 S		4/2000	Black		
D423,236 S		4/2000	Palumbo		
D430,411 S		9/2000	Zaidman		
D431,383 S		10/2000	Frinier		
D441,979 S	*	5/2001	Watson	D6/381
D468,543 S	*	1/2003	O'Hare et al.	D6/334
D468,927 S		1/2003	Denton		

OTHER PUBLICATIONS

De Coro Ltd. Sofa Model No. 108, Apr. 1998, at the International Home Furnishing Market in High Point, N.C.
De Coro Ltd. Sofa Model No. 127, Apr. 1998, at the International Home Furnishing Market in High Point, N.C.

De Coro Ltd. Sofa Model No. 131, Apr. 1998, at the International Home Furnishing Market in High Point, N.C.
De Coro Ltd. Chair Model No. 141, Apr. 1998, at the International Home Furnishing Market in High Point, N.C.
De Coro Ltd. Chair Model No. 142, Apr. 1998, at the International Home Furnishing Market in High Point, N.C.
De Coro Ltd. Chair Model No. 143, Apr. 1998, at the International Home Furnishing Market in High Point, N.C.
De Coro Ltd. Chair Model No. 169, Apr. 1998, at the International Home Furnishing Market in High Point, N.C.
De Coro Ltd. Sofa Model No. 259, Apr. 1998, at the International Home Furnishing Market in High Point, N.C.
De Coro Ltd. Sofa Model No. 2052, Apr. 2000, at the International Home Furnishing Market in High Point, N.C.
De Coro Ltd. Sofa Model No. 2074, Apr. 2000, at the International Home Furnishing Market in High Point, N.C.

(Continued)

Primary Examiner—Gary D. Watson
(74) *Attorney, Agent, or Firm*—Luce, Forward, Hamilton & Scripps LLP

(57) **CLAIM**

The ornamental design for a chair, as shown and described.

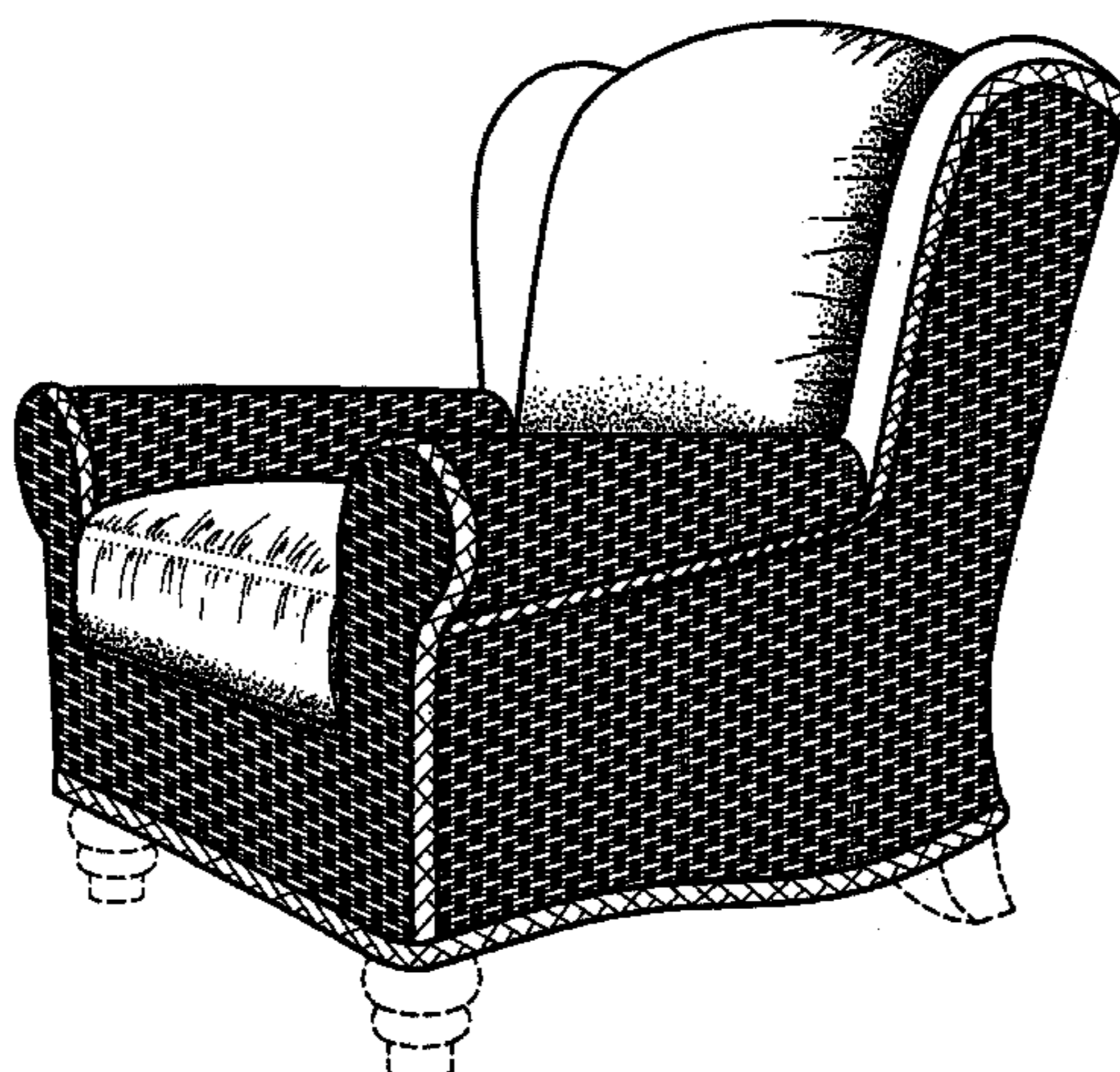
DESCRIPTION

FIG. 1 is a front perspective view of one embodiment of my new chair design;
FIG. 2 is a front elevation view of the embodiment of FIG. 1;
FIG. 3 is a rear elevation view of the embodiment of FIG. 1; and,
FIG. 4 is a right, side elevation view of the embodiment of FIG. 1, with the left side elevational view being a mirror image thereof.

The fragmented weave pattern shown on the front, side and rear in FIGS. 2 through 4 is understood to repeat uniformly throughout the circumscribed areas and the weave on the trim band is understood to be continuous.

The broken line disclosure is for illustrative purposes only and forms no part of the claimed design.

1 Claim, 2 Drawing Sheets



OTHER PUBLICATIONS

De Coro Ltd. Chair Model No. 2082, Apr. 2000, at the International Home Furnishing Market in High Point, N.C.
De Coro Ltd. Sofa Model No. 2101, Oct. 2001, at the International Home Furnishing Market in High Point, N.C.
De Coro Ltd. Chair Model No. 2232, Apr. 2002, at the International Home Furnishing Market in High Point, N.C.

De Coro Ltd. Sofa Model No. D107, Oct. 2002, at the International Home Furnishing Market in High Point, N.C.

De Coro Ltd. Chair Model No. 2289, Oct. 2002, at the International Home Furnishing Market in High Point, N.C.

* cited by examiner

Fig. 1

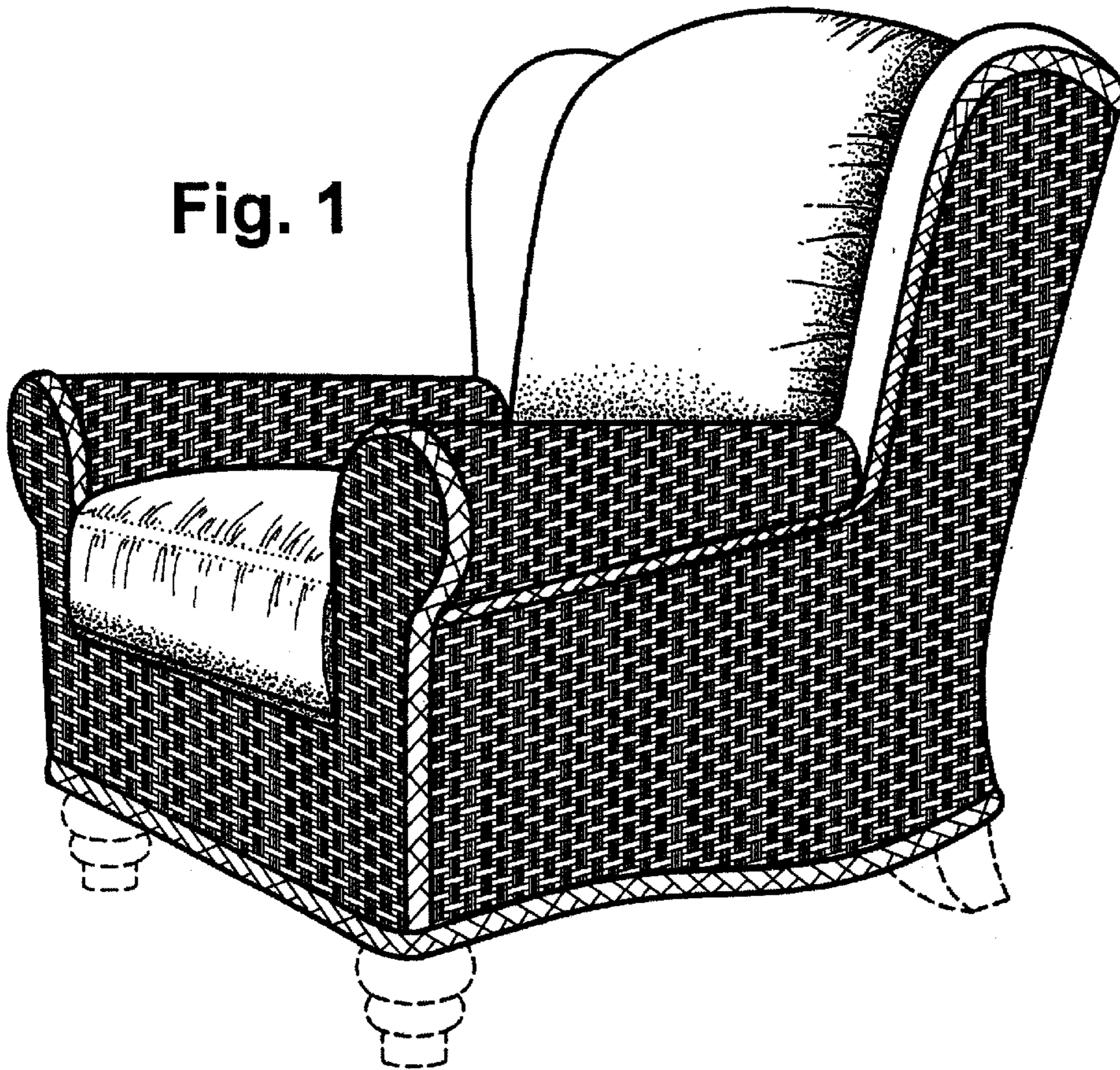
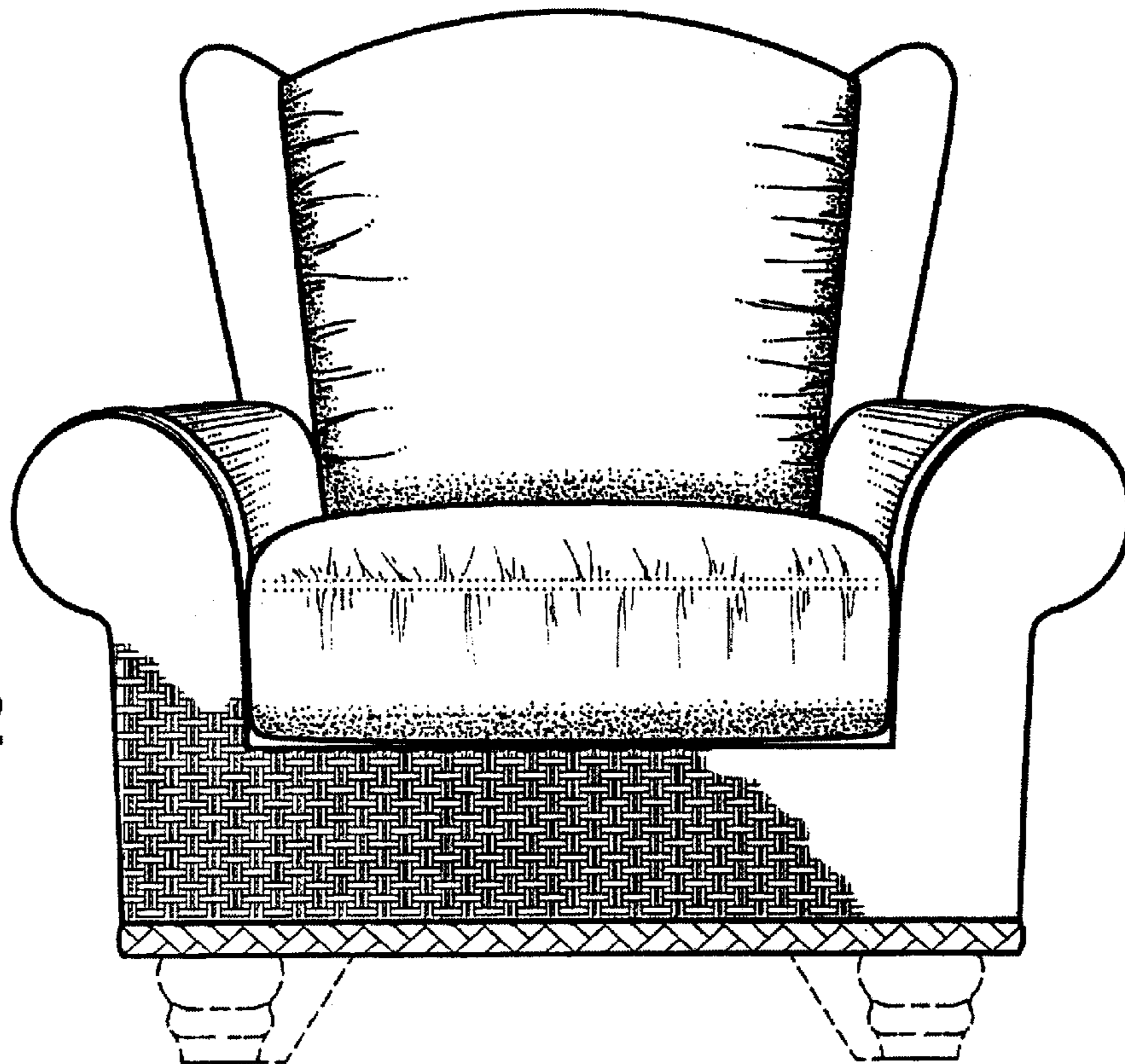


Fig. 2



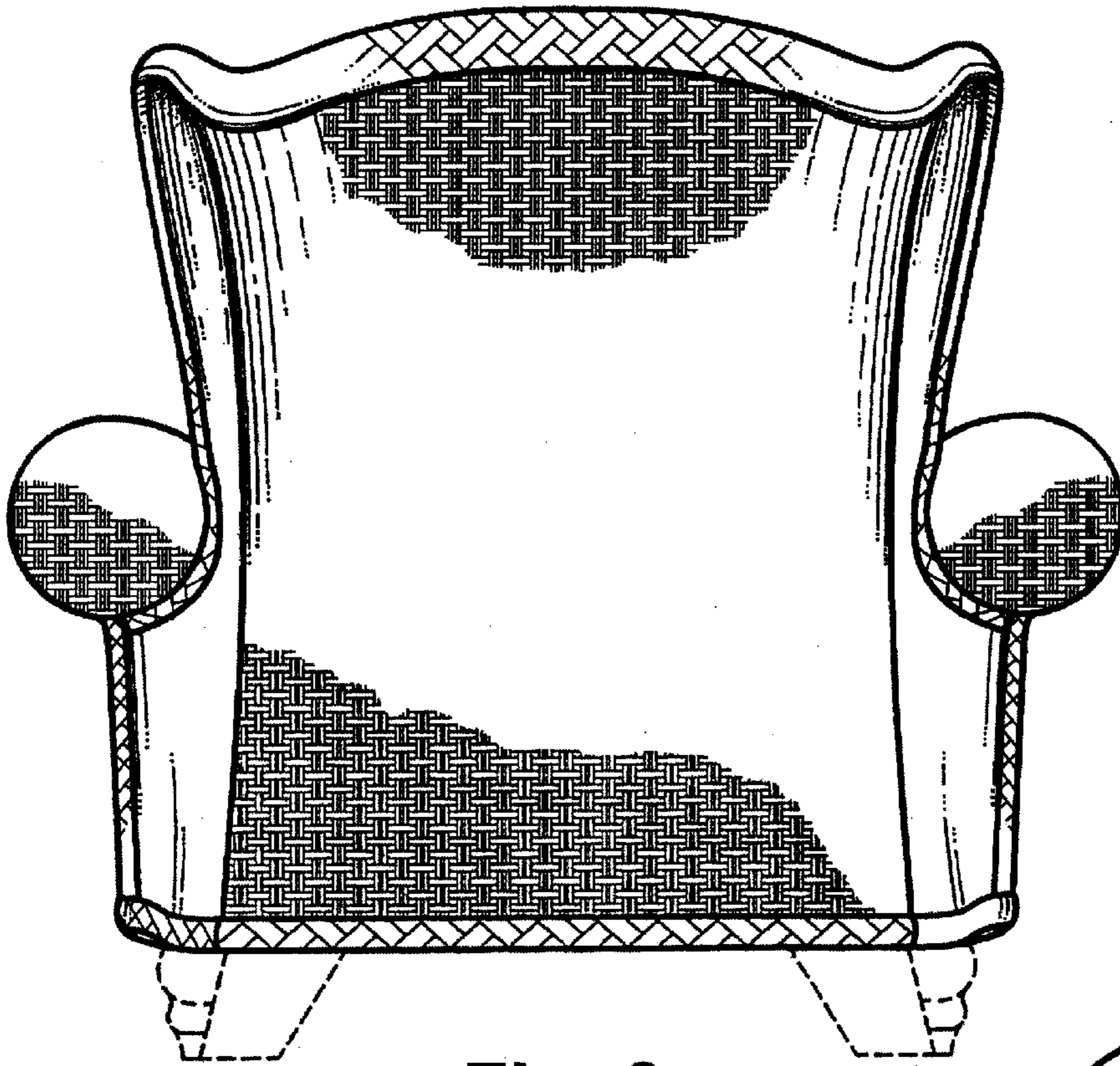


Fig. 3

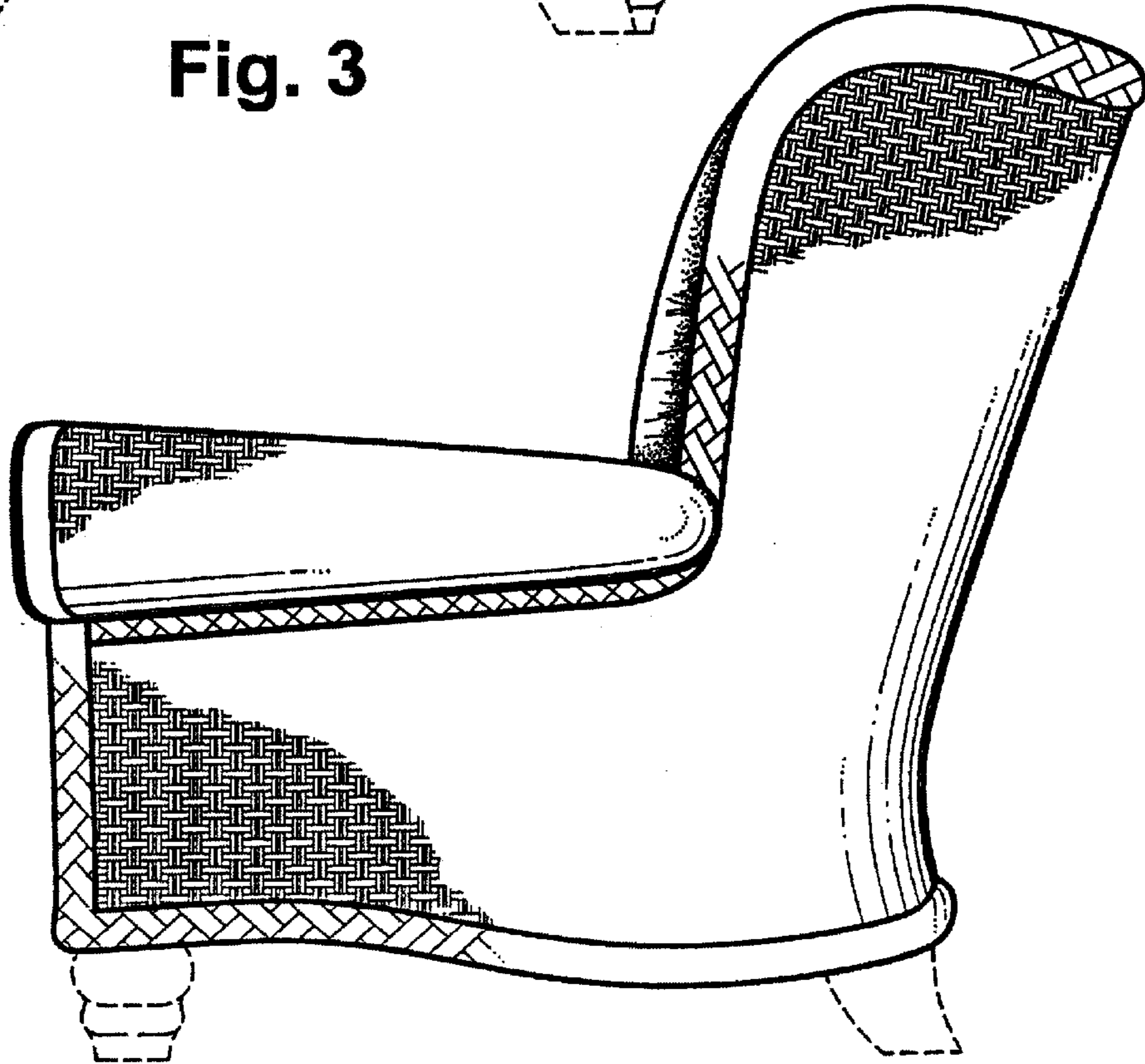


Fig. 4