

US00D505560S

(12) **United States Design Patent** (10) **Patent No.:** **US D505,560 S**  
**Hutton et al.** (45) **Date of Patent:** **\*\* May 31, 2005**

(54) **SEAT**

(75) Inventors: **Jennifer Hutton**, New York, NY (US);  
**Masaru Suzuki**, Brooklyn, NY (US)

(73) Assignee: **Donghia Furniture/Textiles Ltd.**, New York, NY (US)

(\*\*) Term: **14 Years**

(21) Appl. No.: **29/203,257**

(22) Filed: **Apr. 12, 2004**

(51) **LOC (7) Cl.** ..... **06-01**

(52) **U.S. Cl.** ..... **D6/361; D6/377**

(58) **Field of Search** ..... D6/334-336, 361,  
D6/367, 368, 377, 500-502; 297/445.1,  
446.1, 447.1

(56) **References Cited**

**U.S. PATENT DOCUMENTS**

D339,246 S	9/1993	Hutton	.....	D6/377
D366,571 S	1/1996	Hutton	.....	D6/361
D390,029 S	2/1998	Hutton	.....	D6/377
D400,364 S	11/1998	Hutton	.....	D6/361
D404,210 S	1/1999	Hutton	.....	D6/361
D437,128 S	* 2/2001	Binder et al.	.....	D6/361
D439,071 S	3/2001	D'Urso et al.	.....	D6/381
D484,712 S	* 1/2004	Gomez	.....	D6/377

\* cited by examiner

*Primary Examiner*—Robert M. Spear

*Assistant Examiner*—Vy Nguyen

(74) *Attorney, Agent, or Firm*—Heslin Rothenberg Farley & Mesiti P.C.

(57) **CLAIM**

The ornamental design for the seat, as shown and described.

**DESCRIPTION**

FIG. 1 is a perspective view of a seat comprising the new design;

FIG. 2 is a top view thereof;

FIG. 3 is a left side view thereof;

FIG. 4 is a front view thereof;

FIG. 5 is a right side view thereof;

FIG. 6 is a rear view thereof;

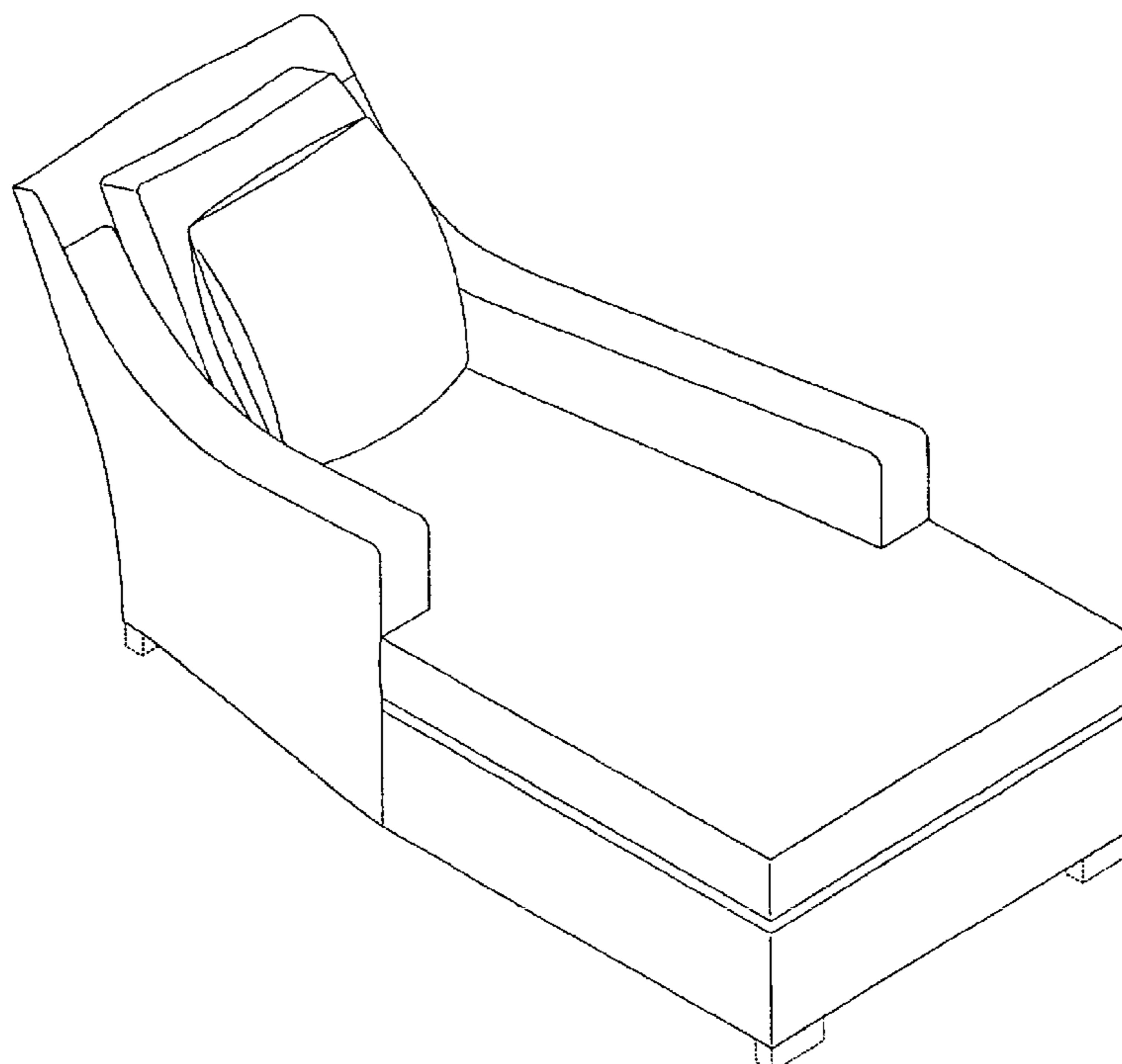
FIG. 7 is a front view of an alternative embodiment of said new design having an indeterminable width;

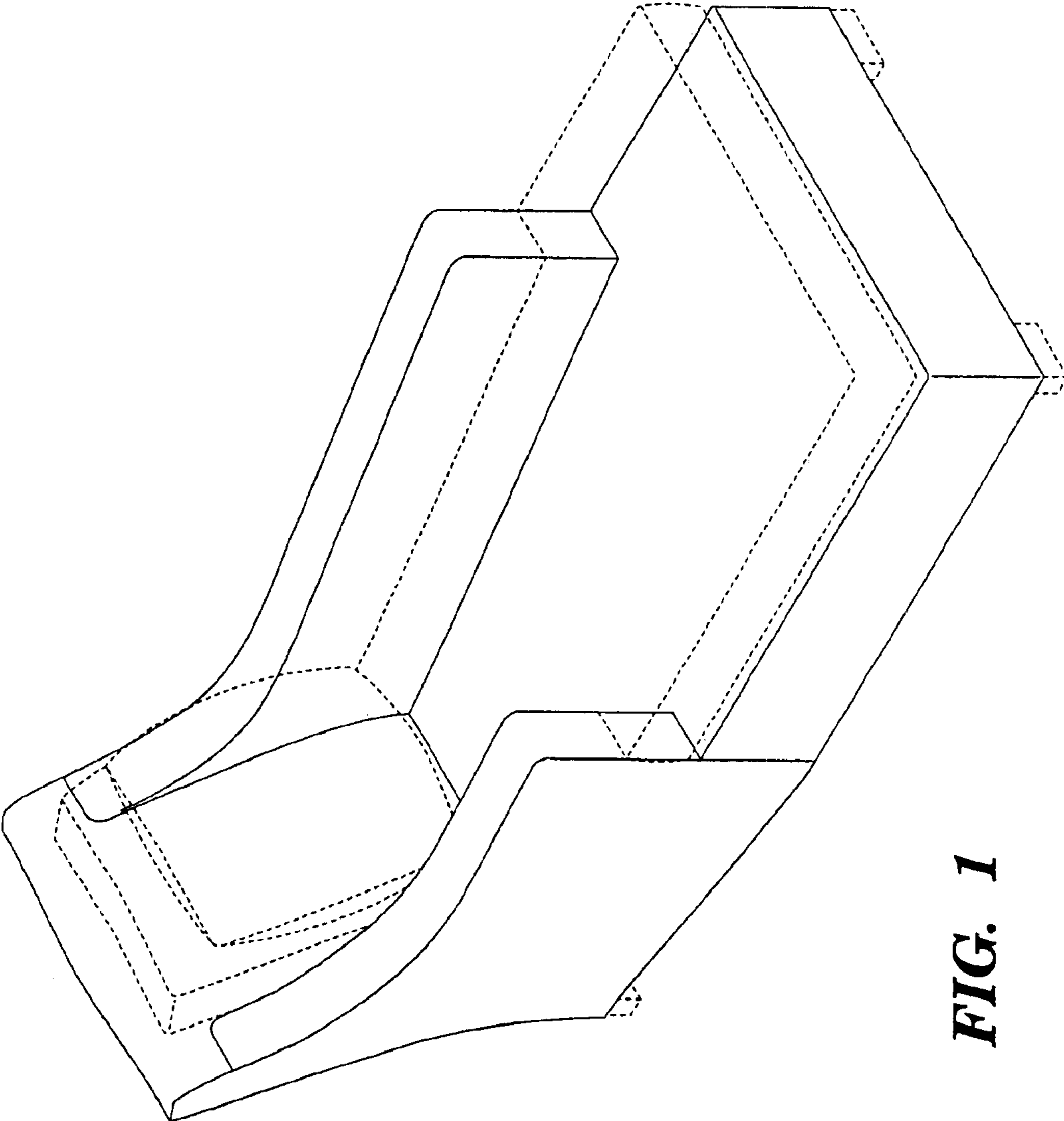
FIG. 8 is a left side of an alternative embodiment of said new design, portions of which are cut away to illustrate indeterminable length; and,

FIG. 9 is a perspective view of an alternative embodiment of said new design.

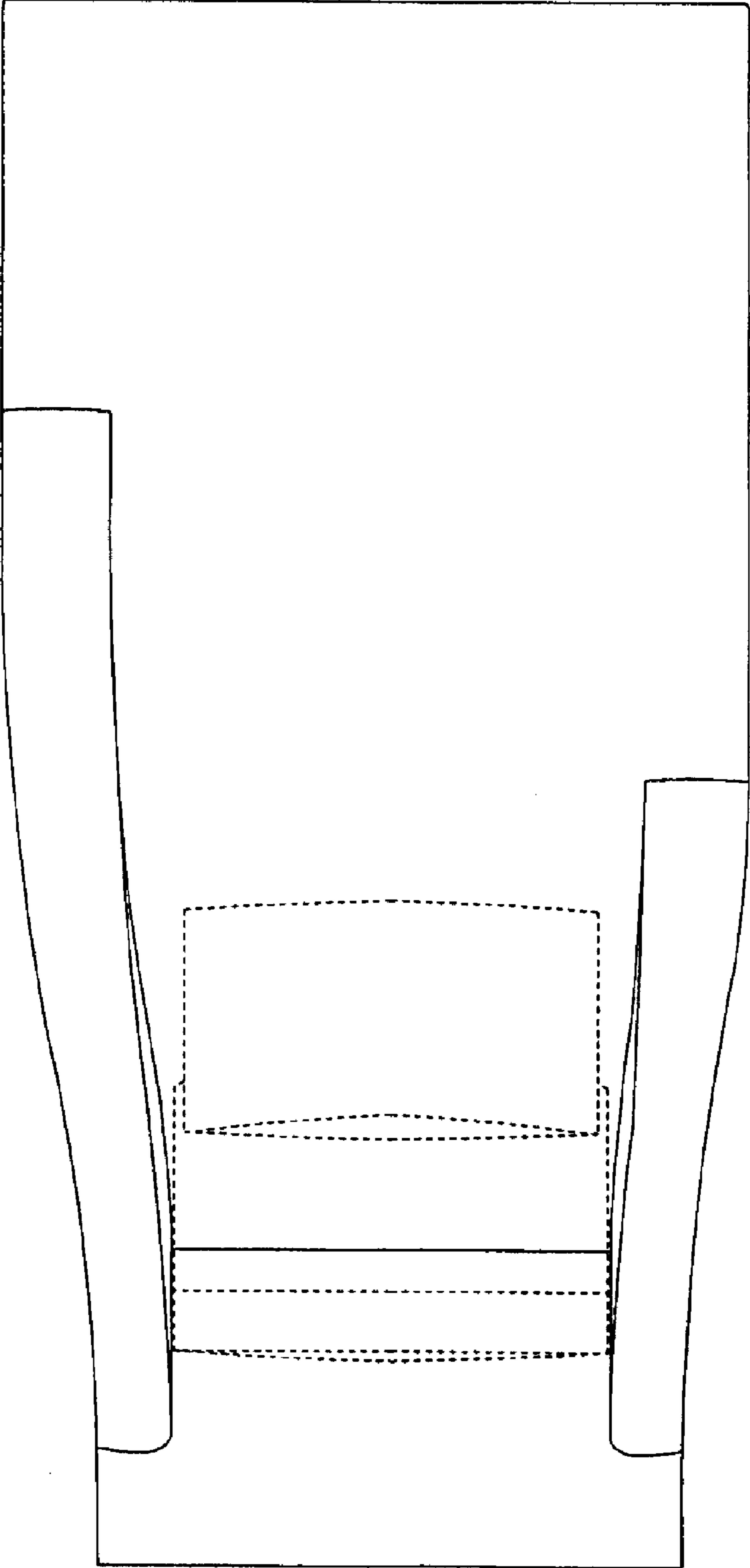
The broken lines in the figures are for illustrative purposes only and form no part of the claimed invention.

**1 Claim, 9 Drawing Sheets**

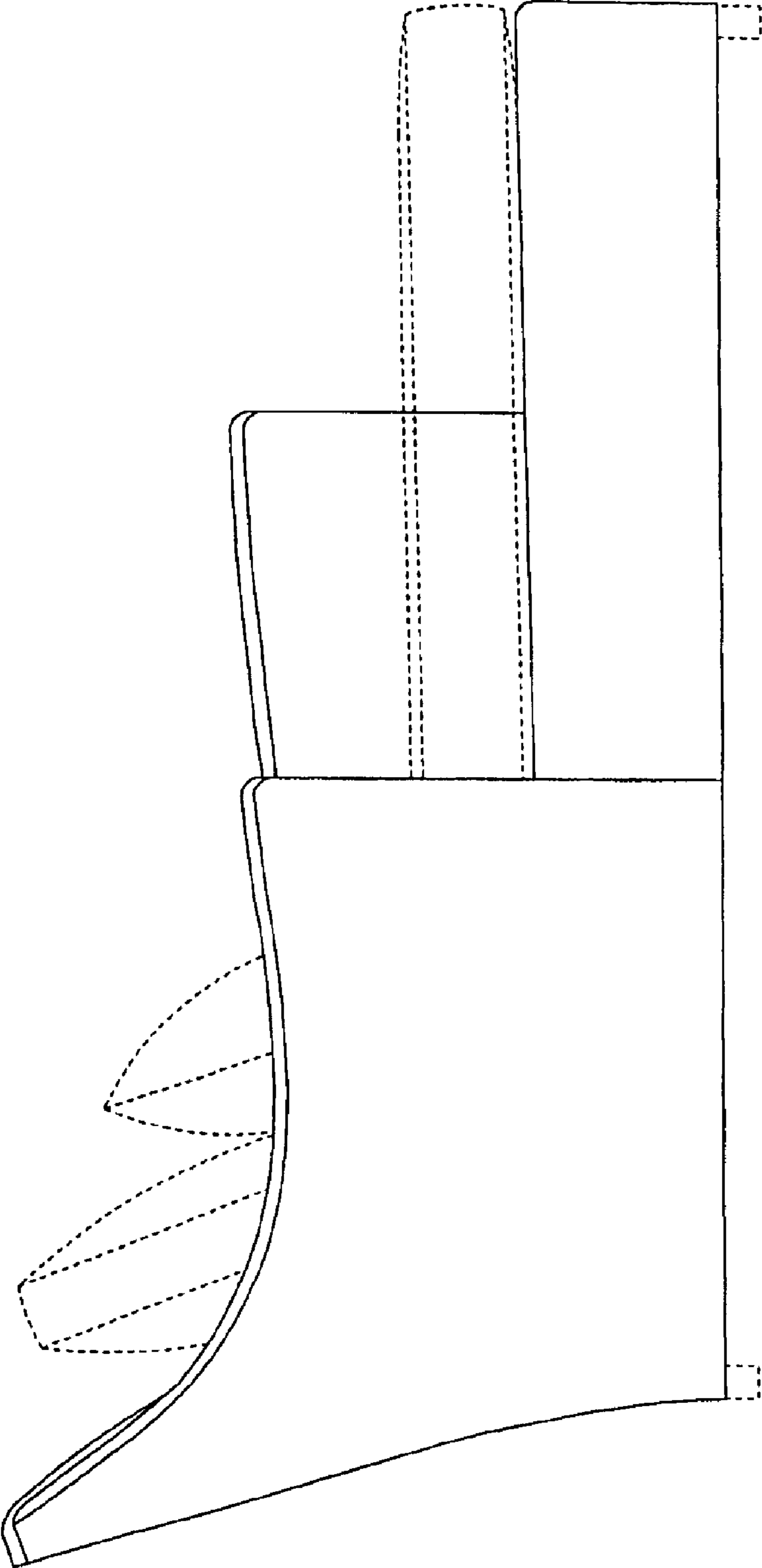




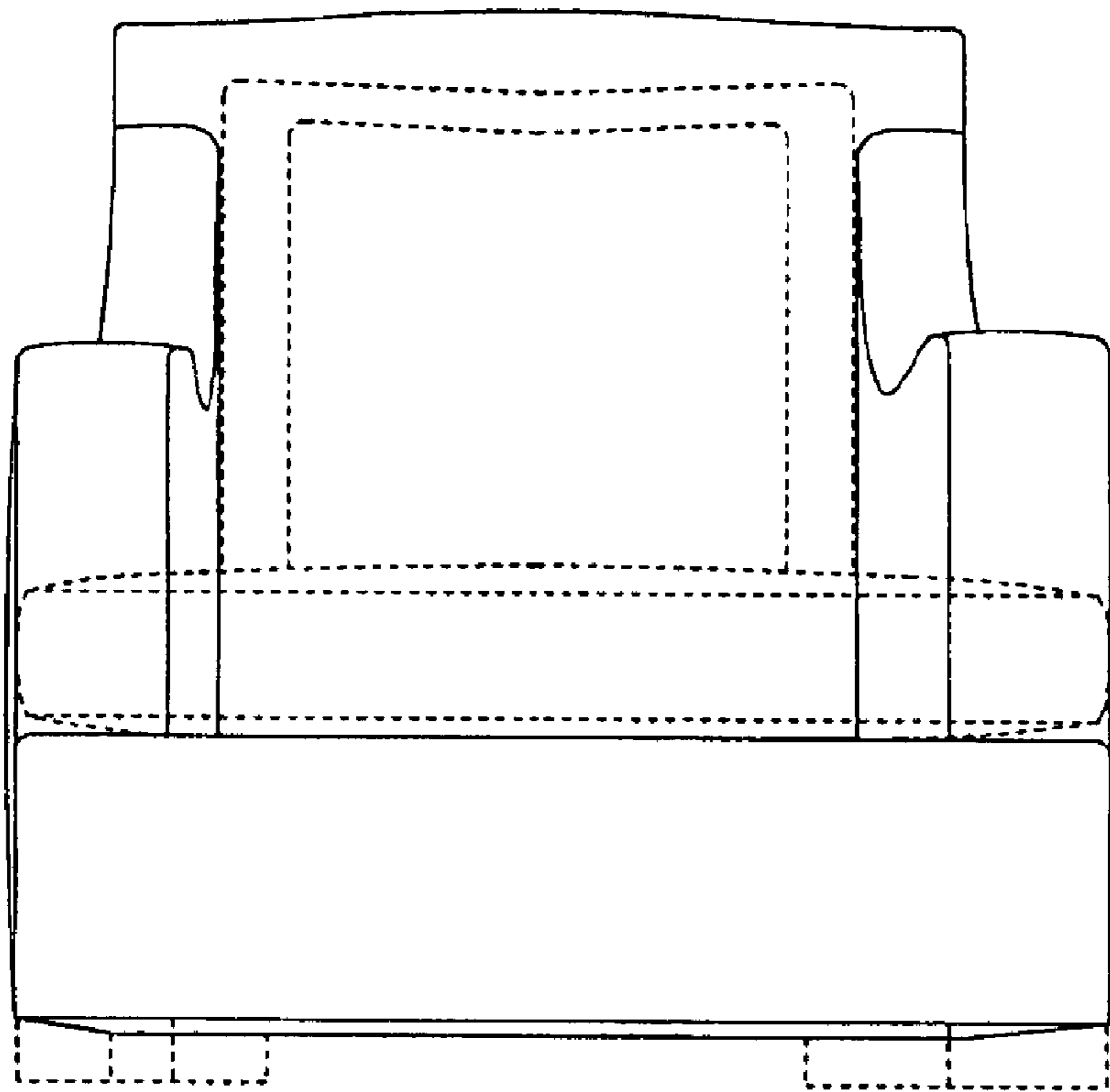
**FIG. 1**



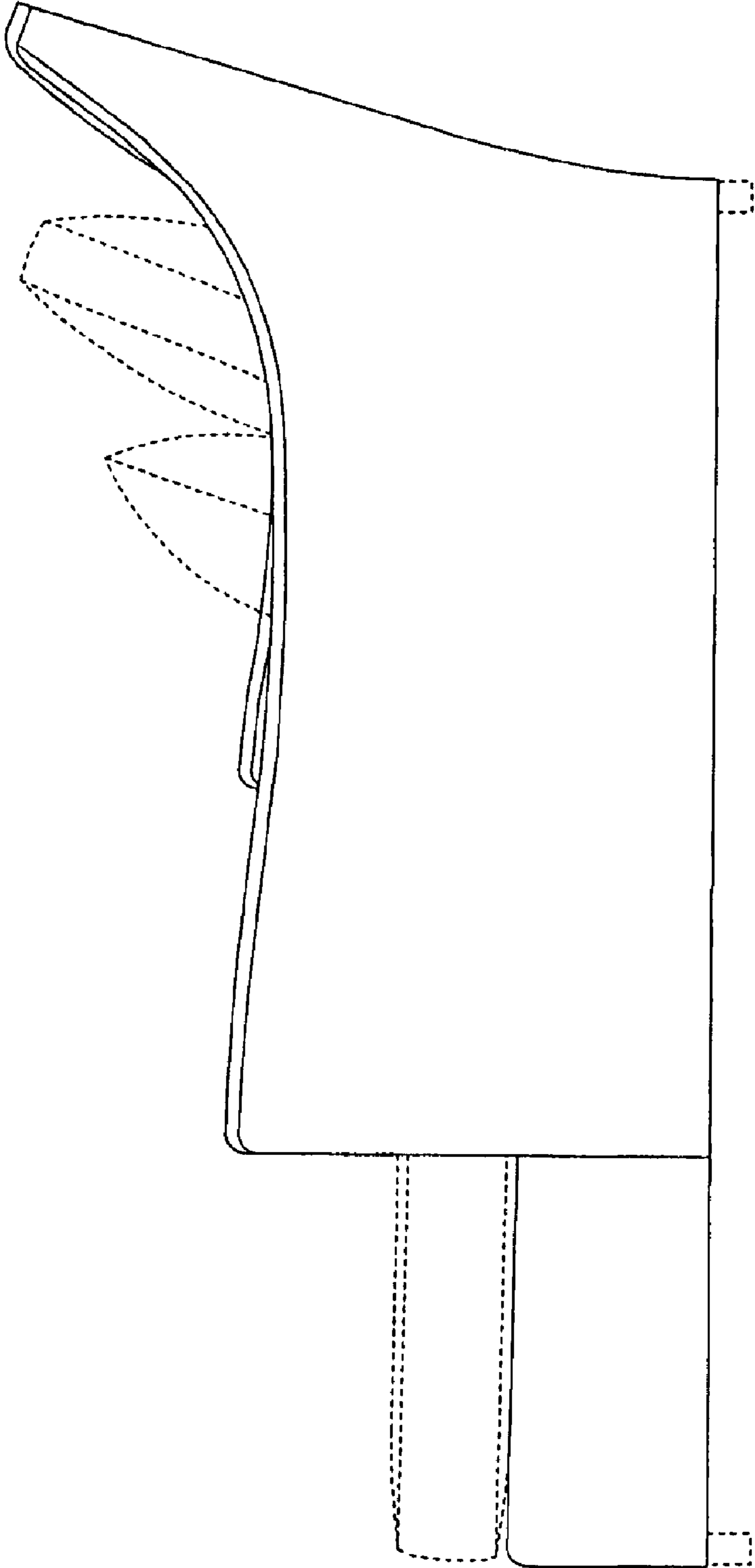
**FIG. 2**



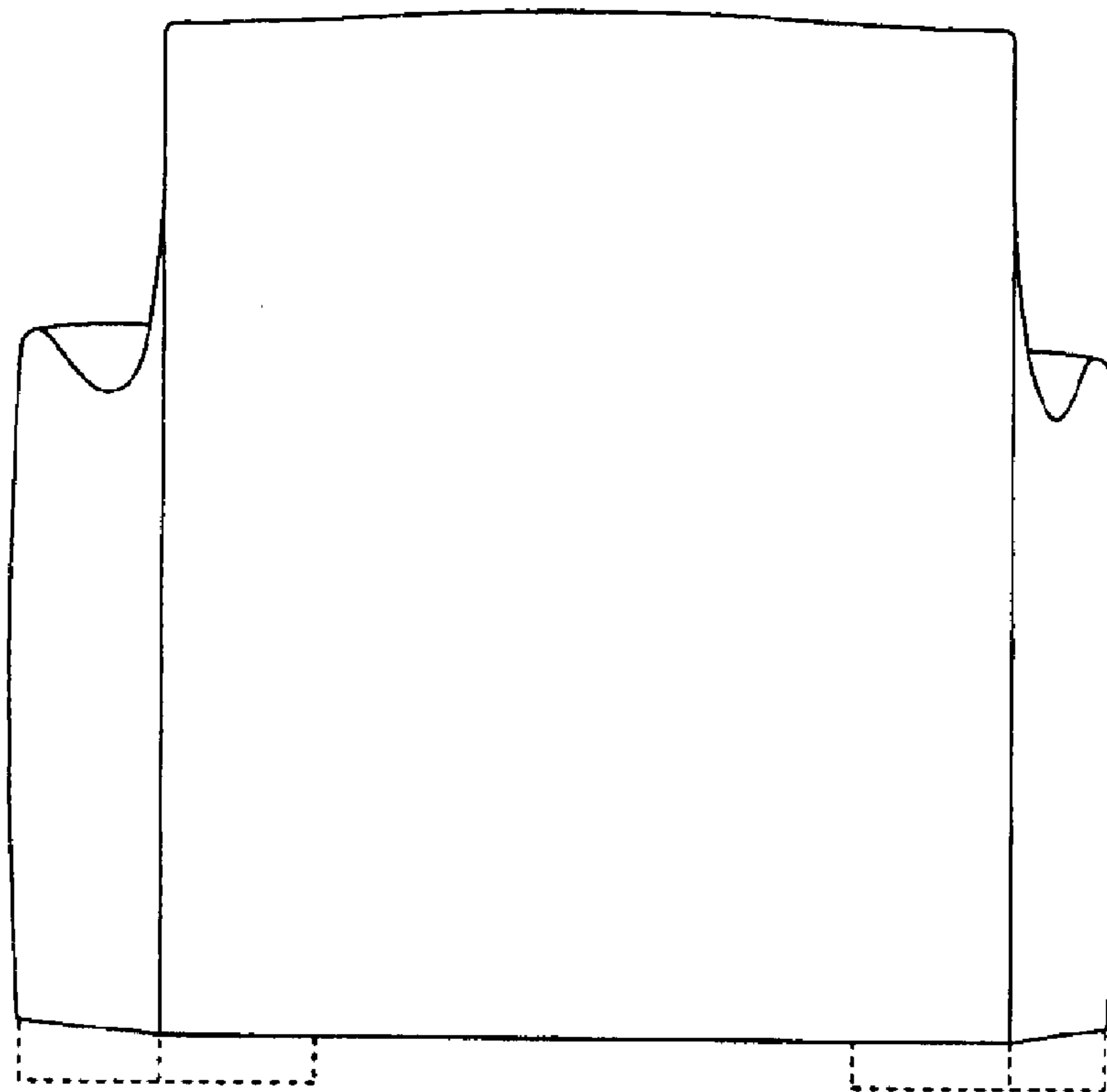
**FIG. 3**



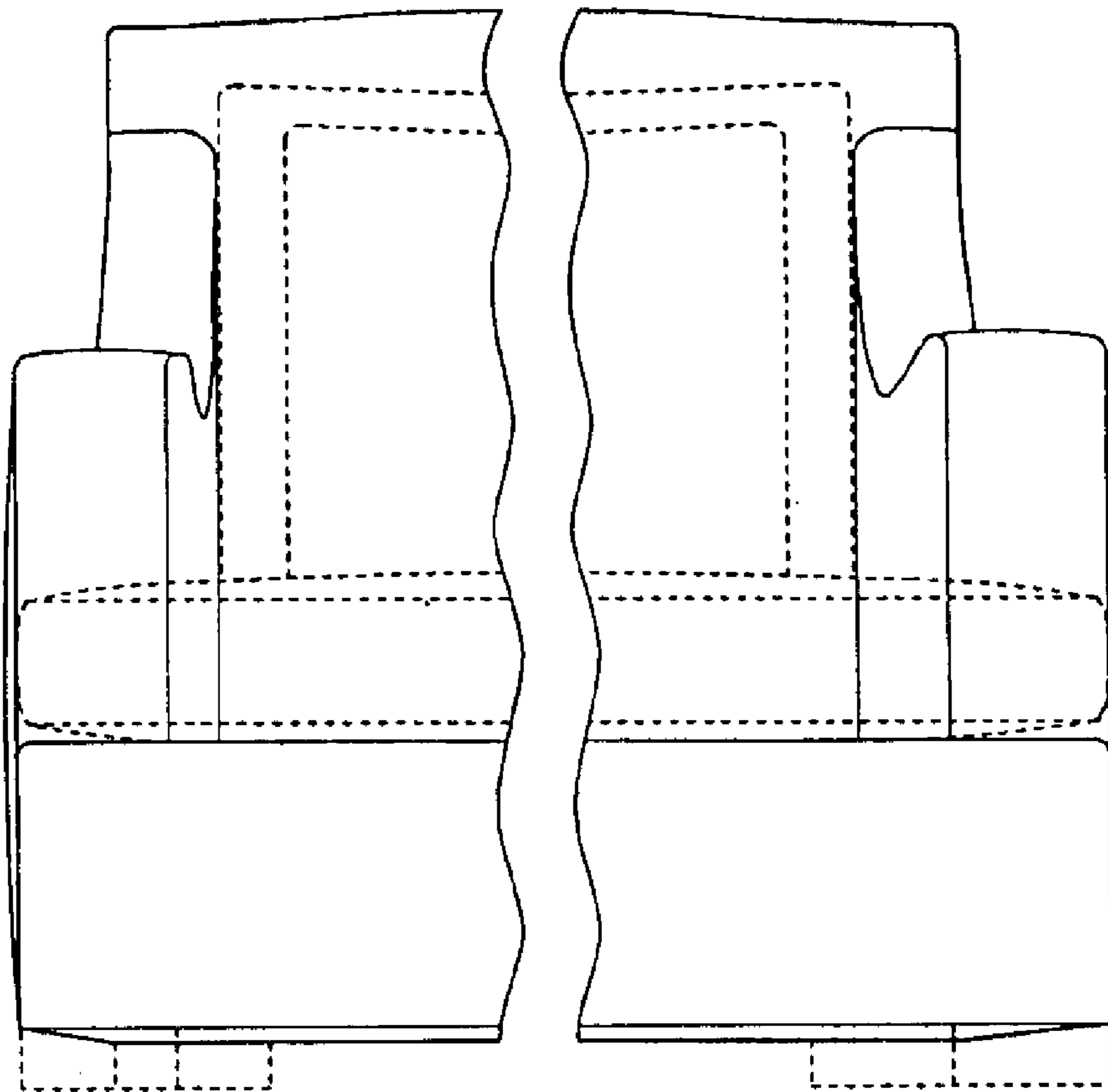
**FIG. 4**



**FIG. 5**

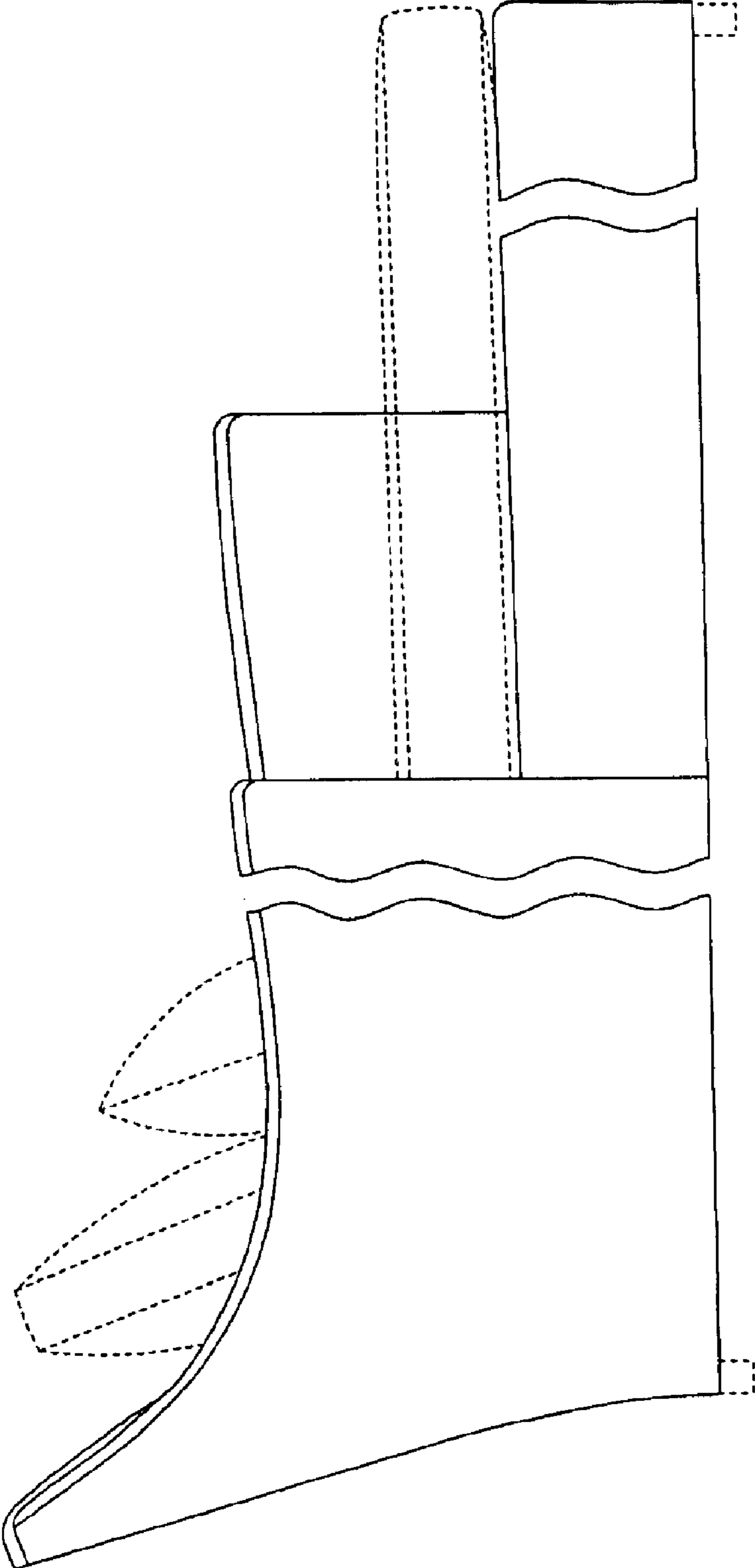


**FIG. 6**

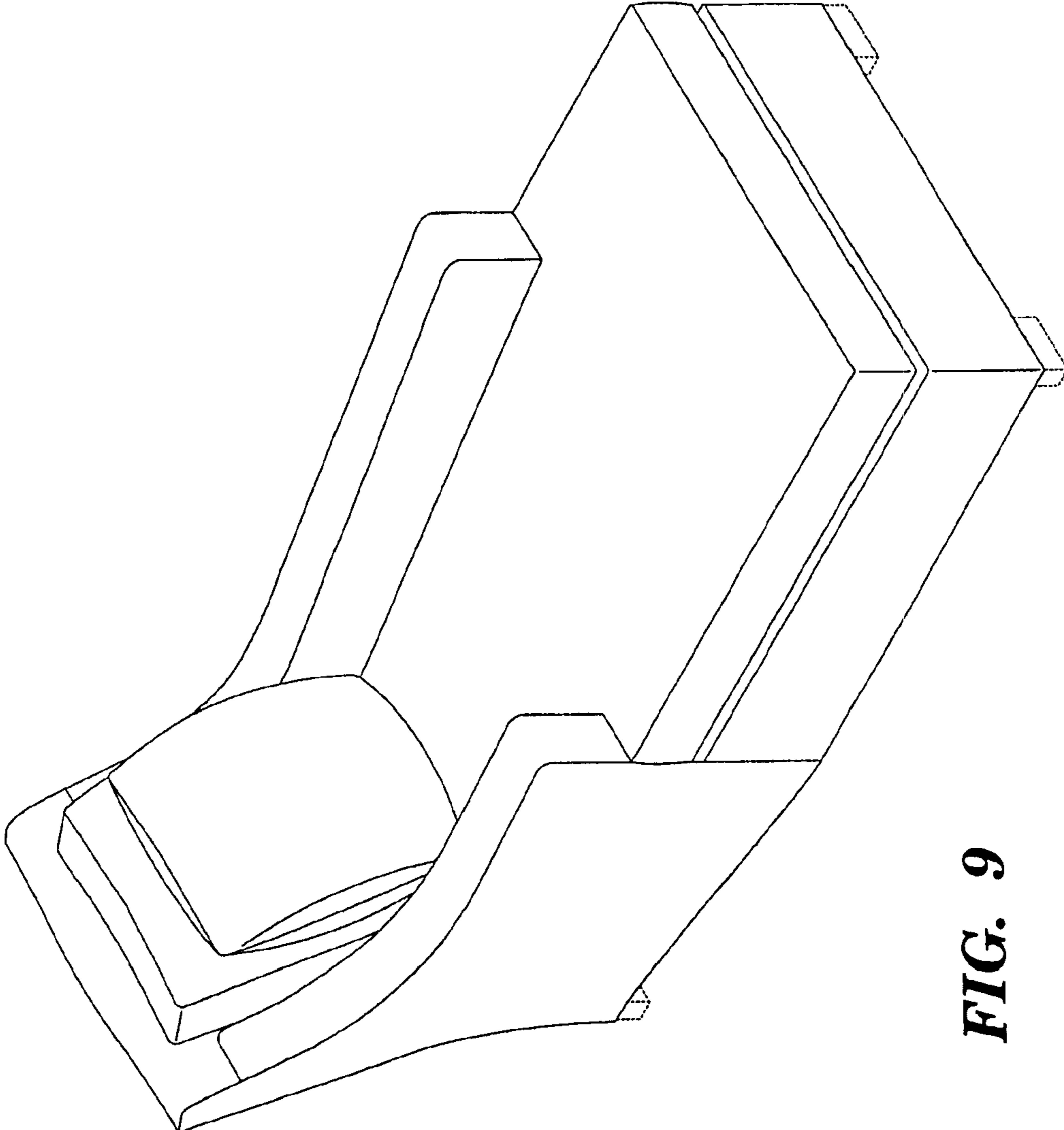


**FIG. 7**





**FIG. 8**



**FIG. 9**