

US00D505558S

(12) **United States Design Patent**
Milinov et al.

(10) **Patent No.:** **US D505,558 S**
(45) **Date of Patent:** **** May 31, 2005**

(54) **FOLDING TRANSFORMABLE CHAIR INTO A DESK**

(75) Inventors: **Ilian Vladimirov Milinov**, Sofia (BG);
Mladen Minkov Tsonev, Sofia (BG)

(73) Assignee: **Ort Joint-Stock Company**, Sofia (BG)

(**) Term: **14 Years**

(21) Appl. No.: **29/198,822**

(22) Filed: **Feb. 6, 2004**

(30) **Foreign Application Priority Data**

Aug. 8, 2003 (BG) 6988

(51) **LOC (7) Cl.** **06-01**

(52) **U.S. Cl.** **D6/335; D6/368**

(58) **Field of Search** D6/334-336, 338,
D6/367, 368, 371-373, 379, 380, 480, 481,
483, 484, 500-502; 297/118, 119, 122-126,
16.1, 55, 56; 108/11, 13, 15, 115, 146

(56) **References Cited**

U.S. PATENT DOCUMENTS

D147,671 S	*	10/1947	Kirkpatrick	D6/480
5,058,948 A	*	10/1991	Singer	297/56
D325,833 S	*	5/1992	Saotome	D6/484
5,123,697 A	*	6/1992	Szczurek	297/126
D435,736 S	*	1/2001	Chrisco et al.	D6/336
D455,568 S	*	4/2002	Leng et al.	D6/368
D457,336 S	*	5/2002	Leng et al.	D6/368
D470,666 S	*	2/2003	Peloquin	D6/336
D488,934 S	*	4/2004	Milinov	D6/336

* cited by examiner

Primary Examiner—Mimosa De
(74) *Attorney, Agent, or Firm*—Reed Smith, LLP

(57) **CLAIM**

The ornamental design for the folding transformable chair into a desk, as shown and described.

DESCRIPTION

FIG. 1 is a front perspective view of a folding transformable chair into a desk showing our new design, shown in a chair configuration;

FIG. 2 is a rear perspective view thereof;

FIG. 3 is a side view thereof;

FIG. 4 is a front view thereof;

FIG. 5 is a top view thereof;

FIG. 6 is a rear view thereof;

FIG. 7 is a side view shown partially transformed into a table configuration thereof;

FIG. 8 is a side view shown partially transformed into a table configuration thereof;

FIG. 9 is a side view shown partially transformed into a table configuration thereof;

FIG. 10 is a front perspective view shown completely transformed into the table configuration thereof;

FIG. 11 is a rear perspective view of FIG. 10;

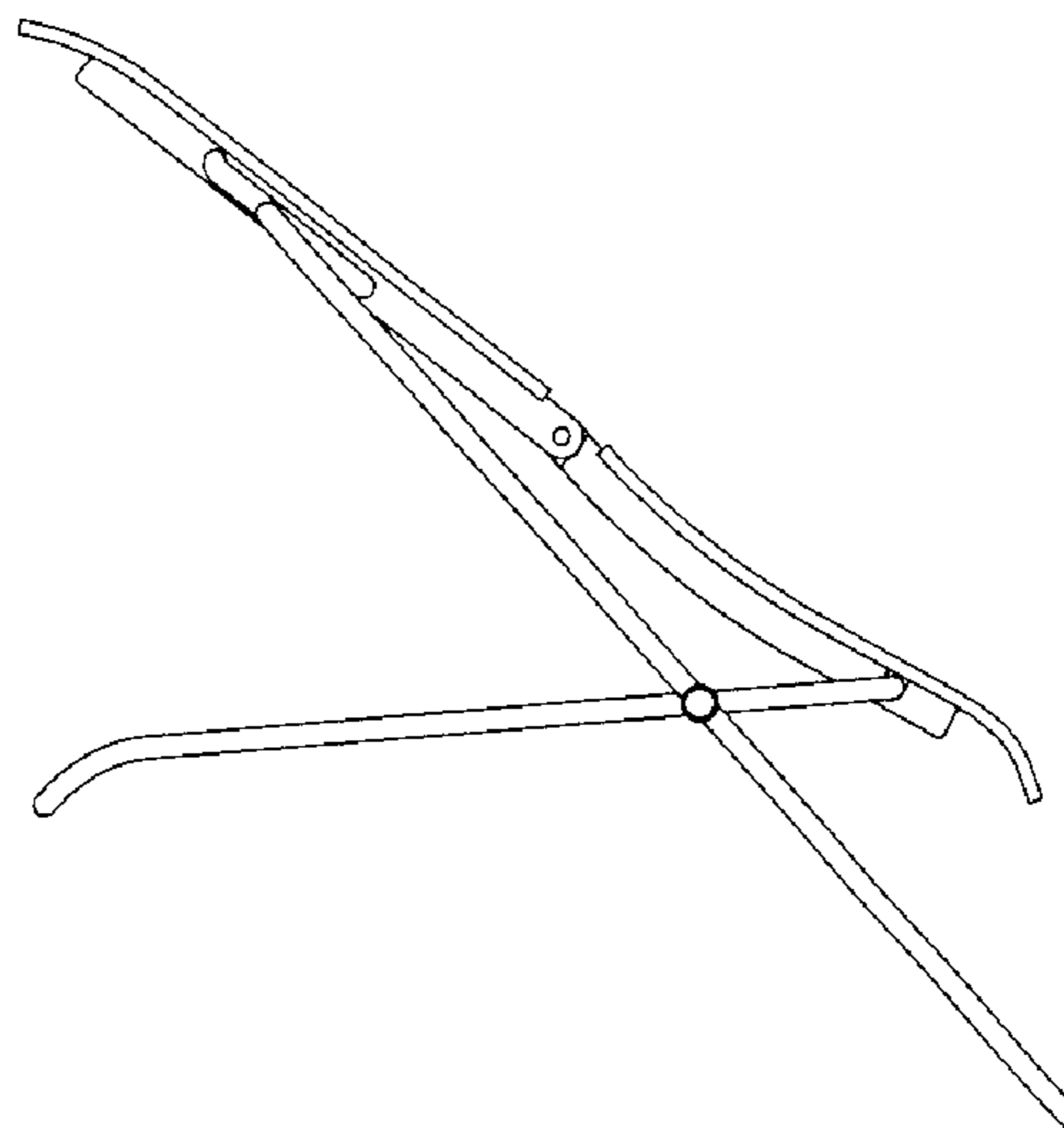
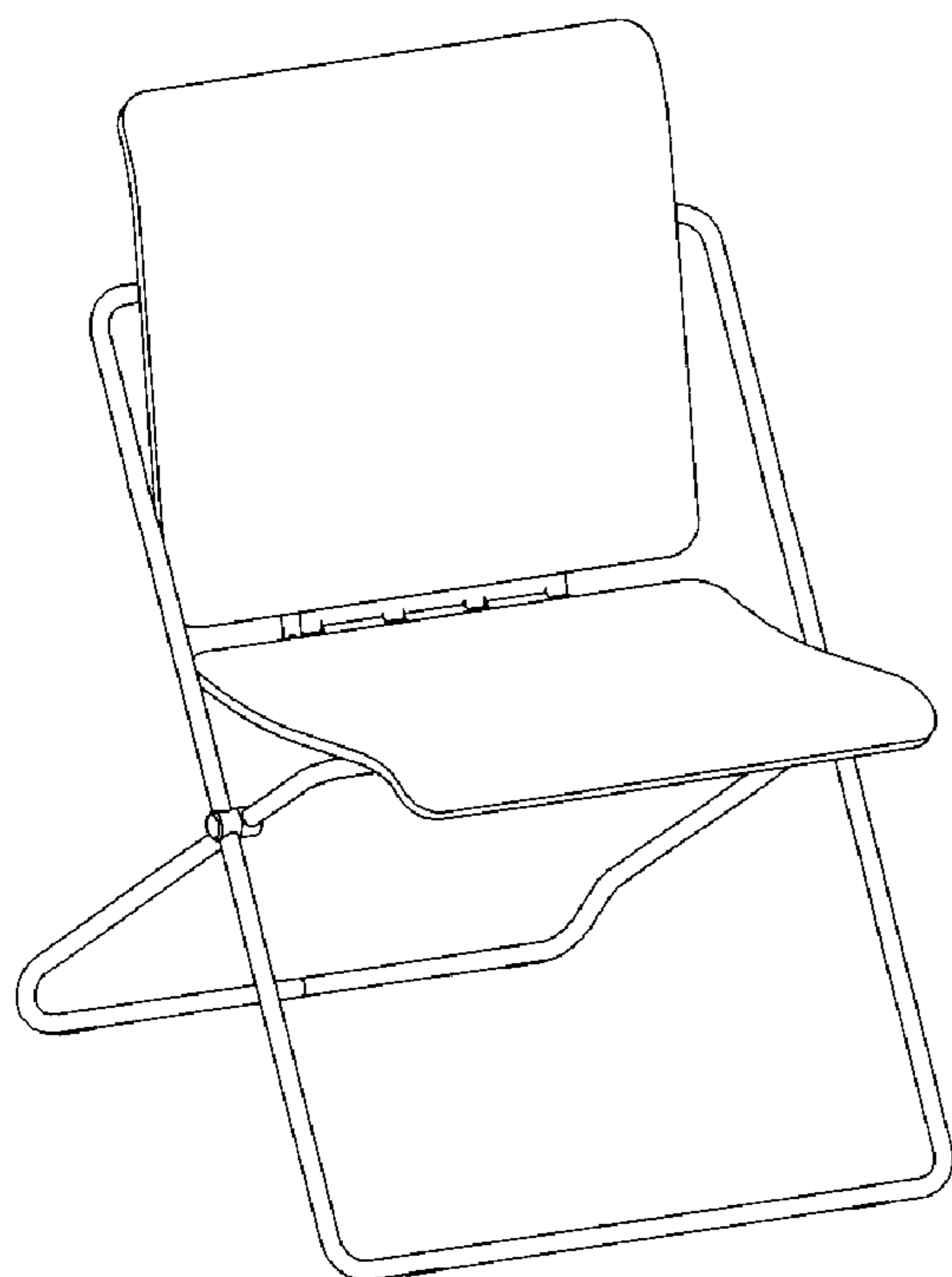
FIG. 12 is a side view of FIG. 10;

FIG. 13 is a front view of FIG. 10;

FIG. 14 is a top view of FIG. 10; and,

FIG. 15 is a rear view of FIG. 10.

1 Claim, 4 Drawing Sheets



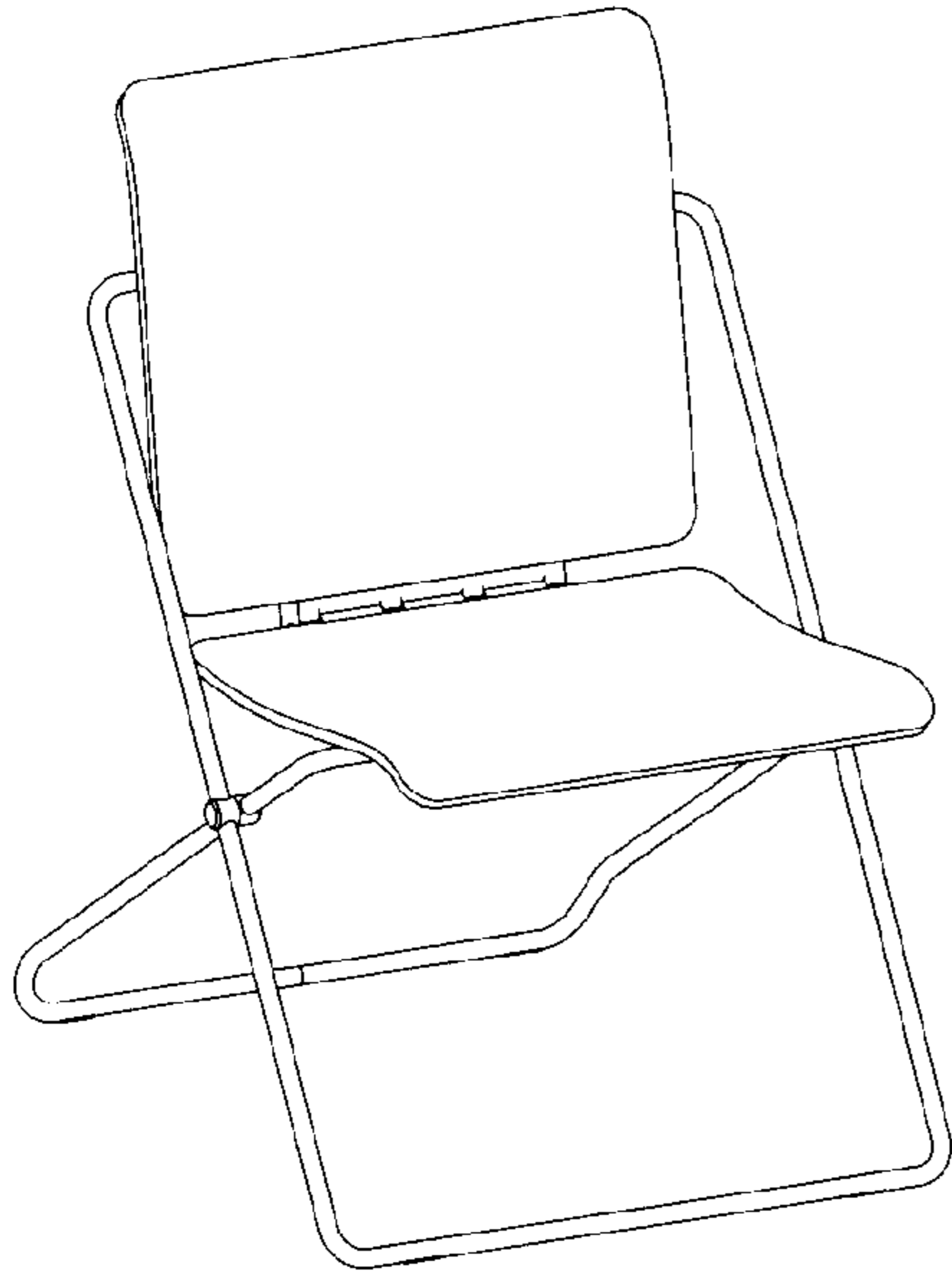


Fig. 1

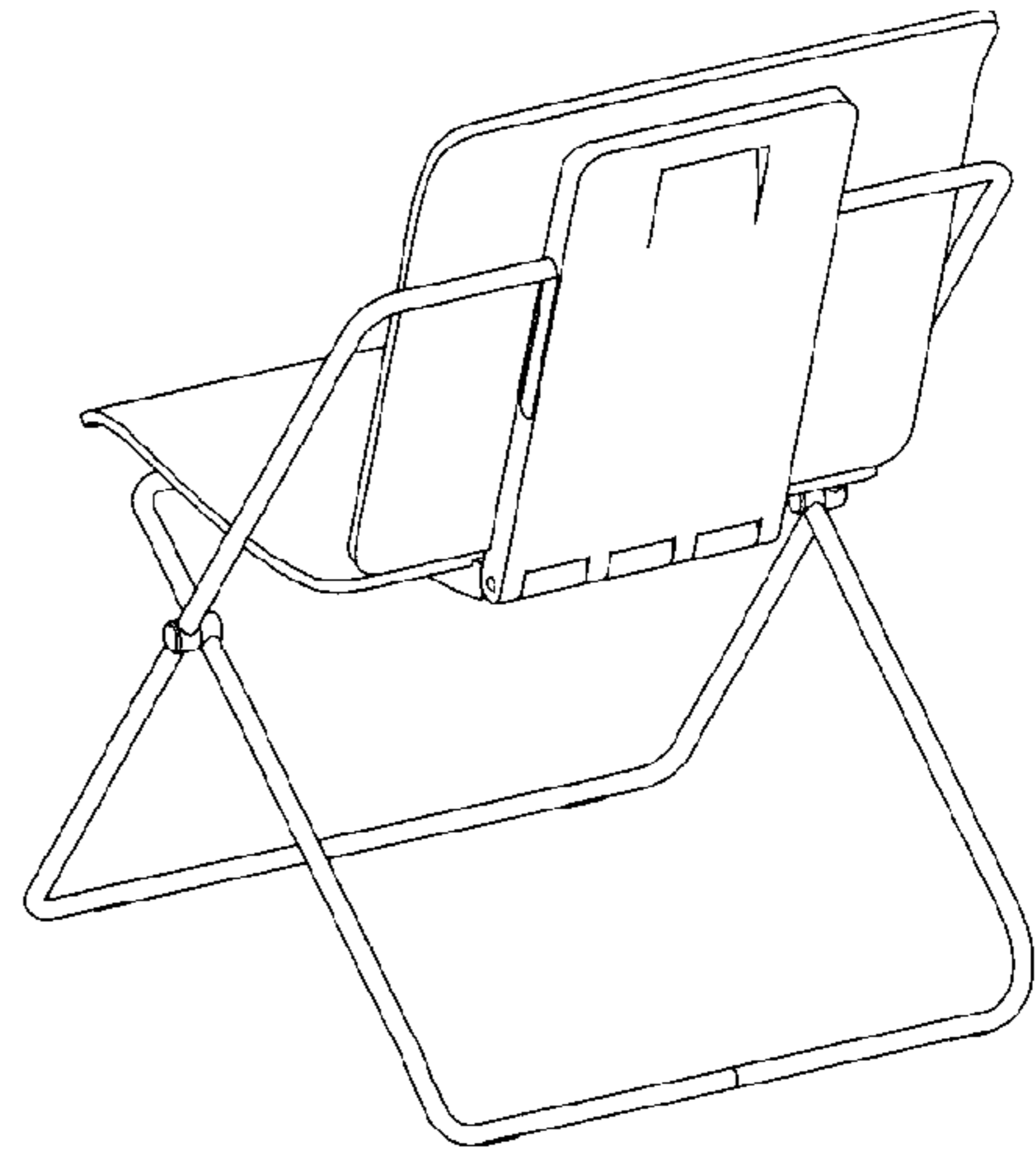


Fig. 2

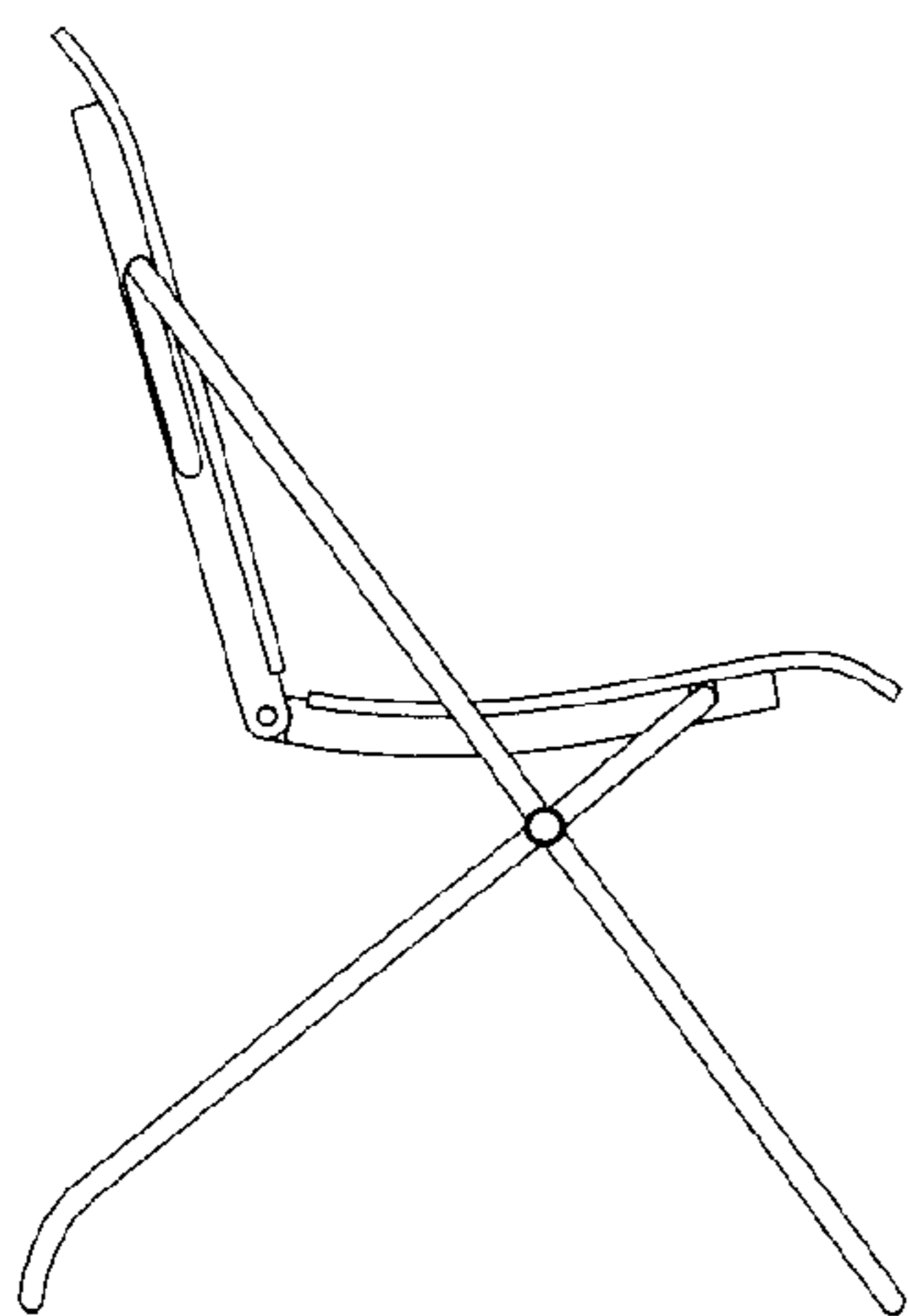


Fig. 3

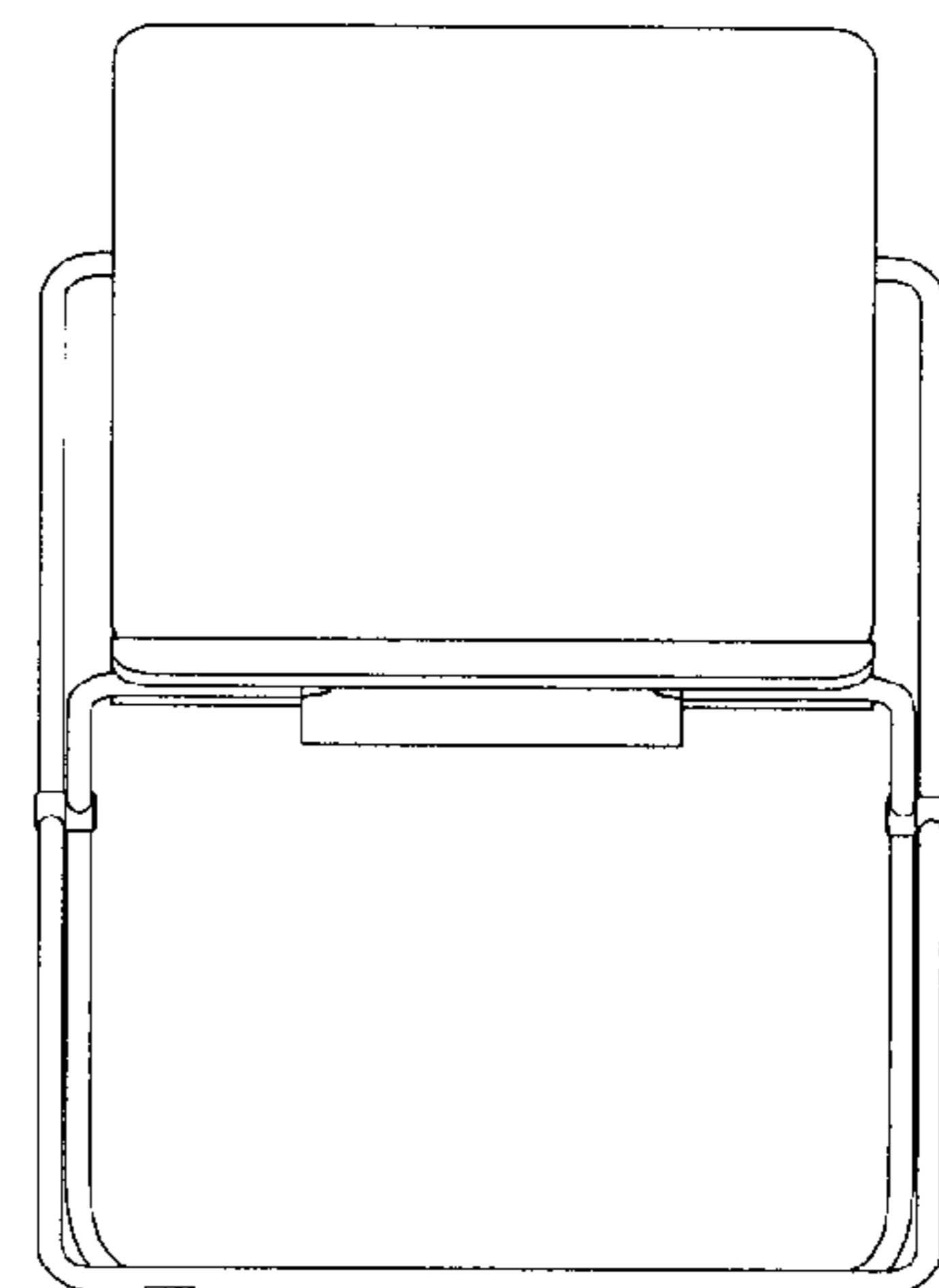


Fig. 4

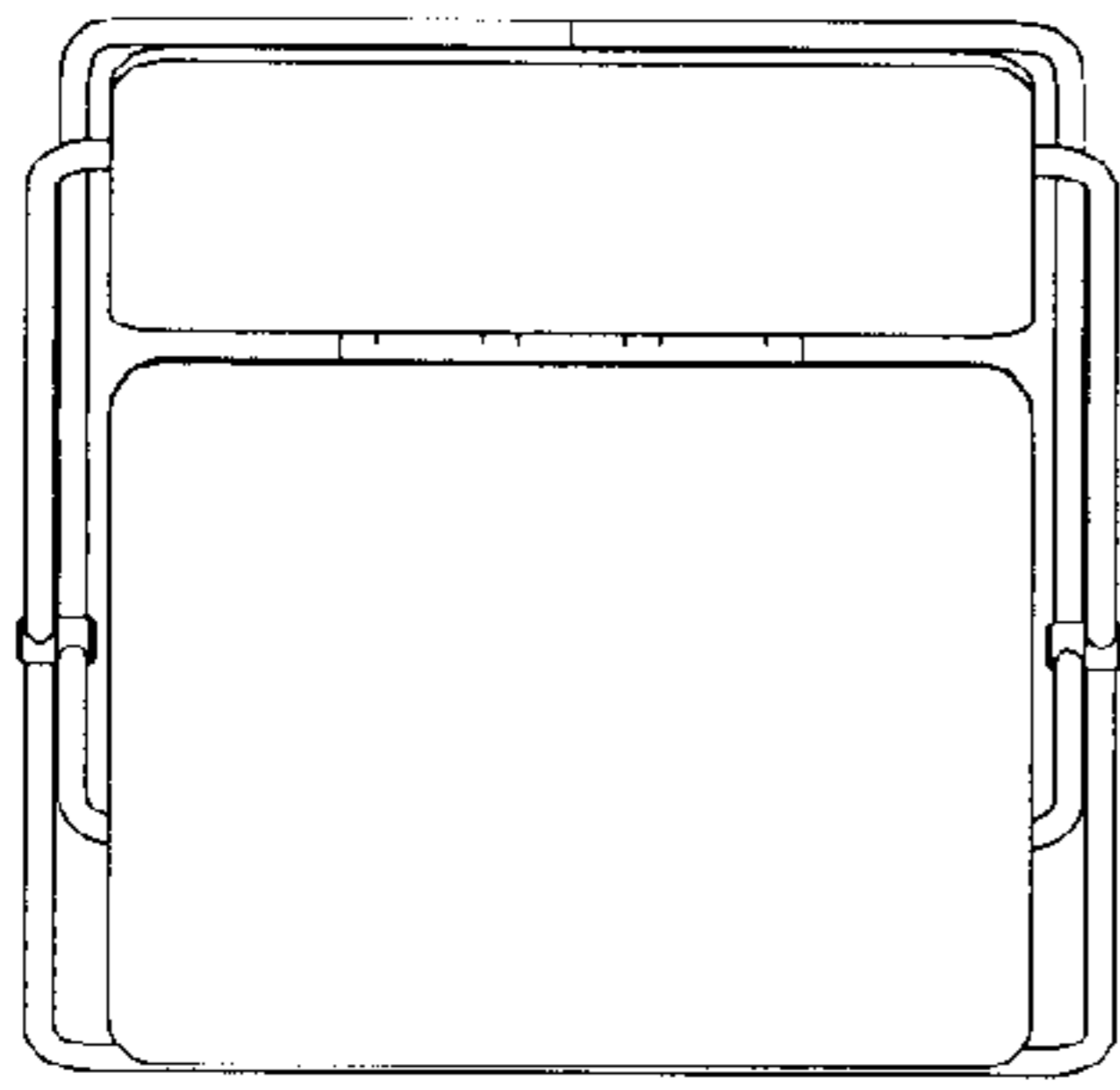


Fig. 5

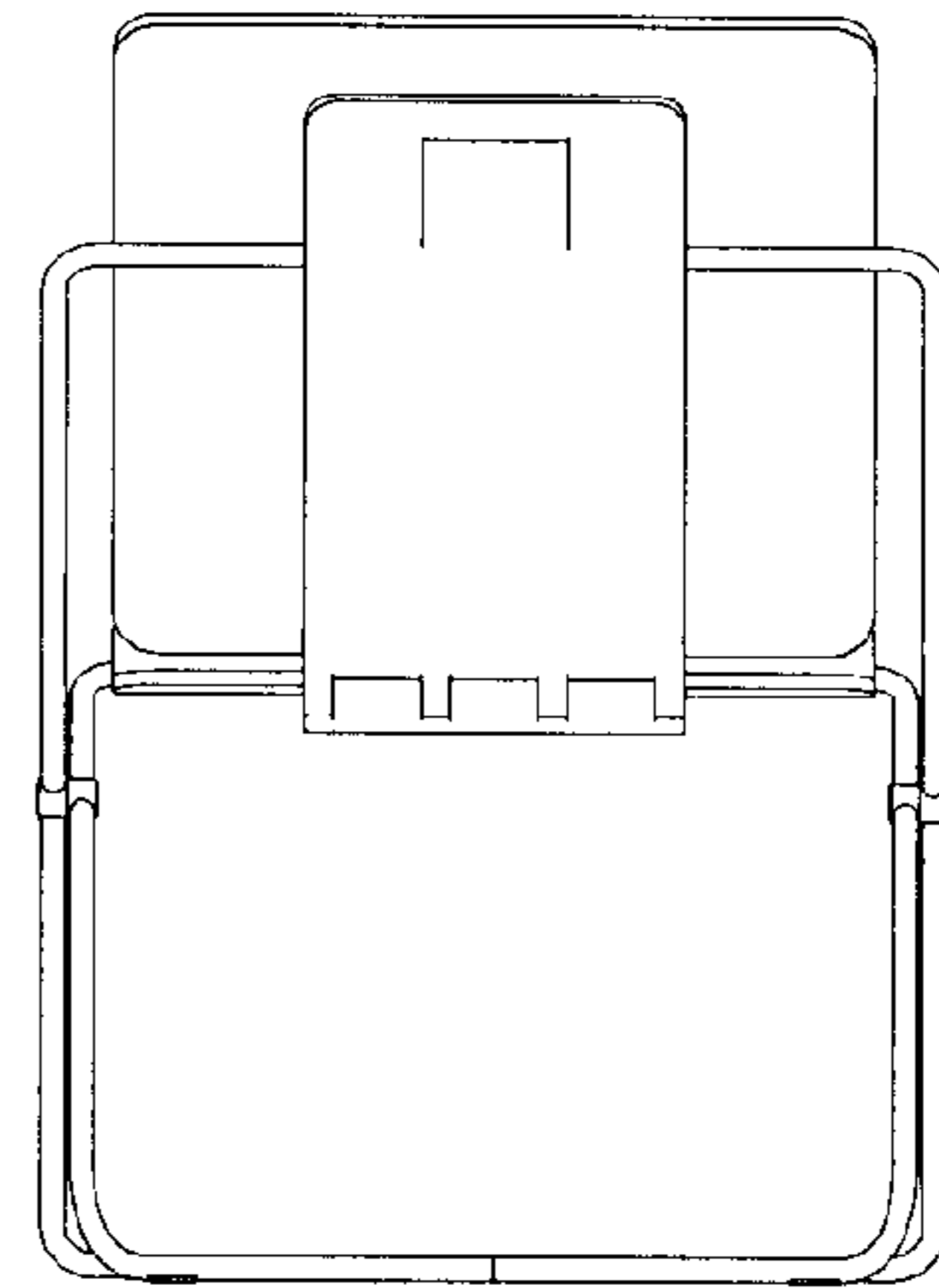


Fig. 6

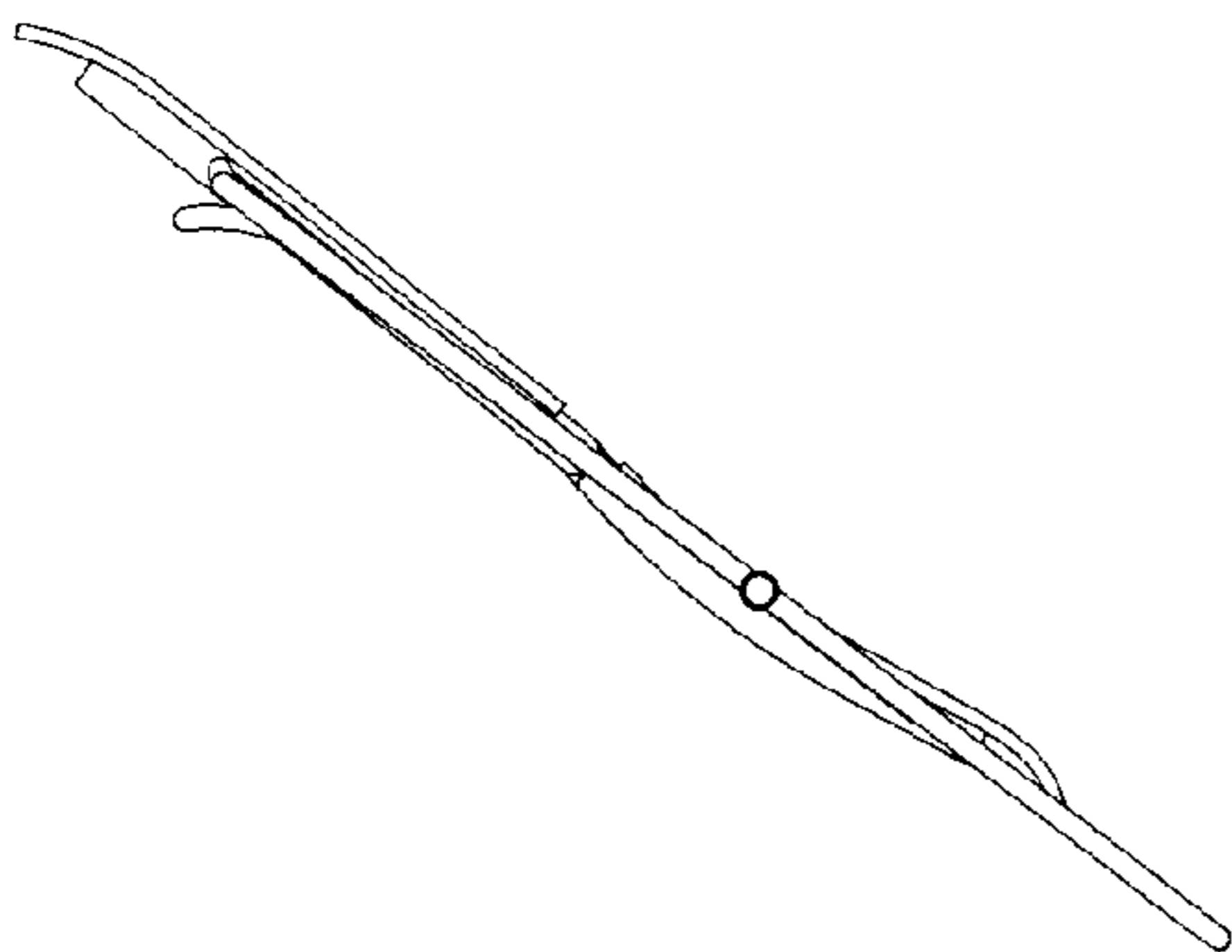


Fig. 7

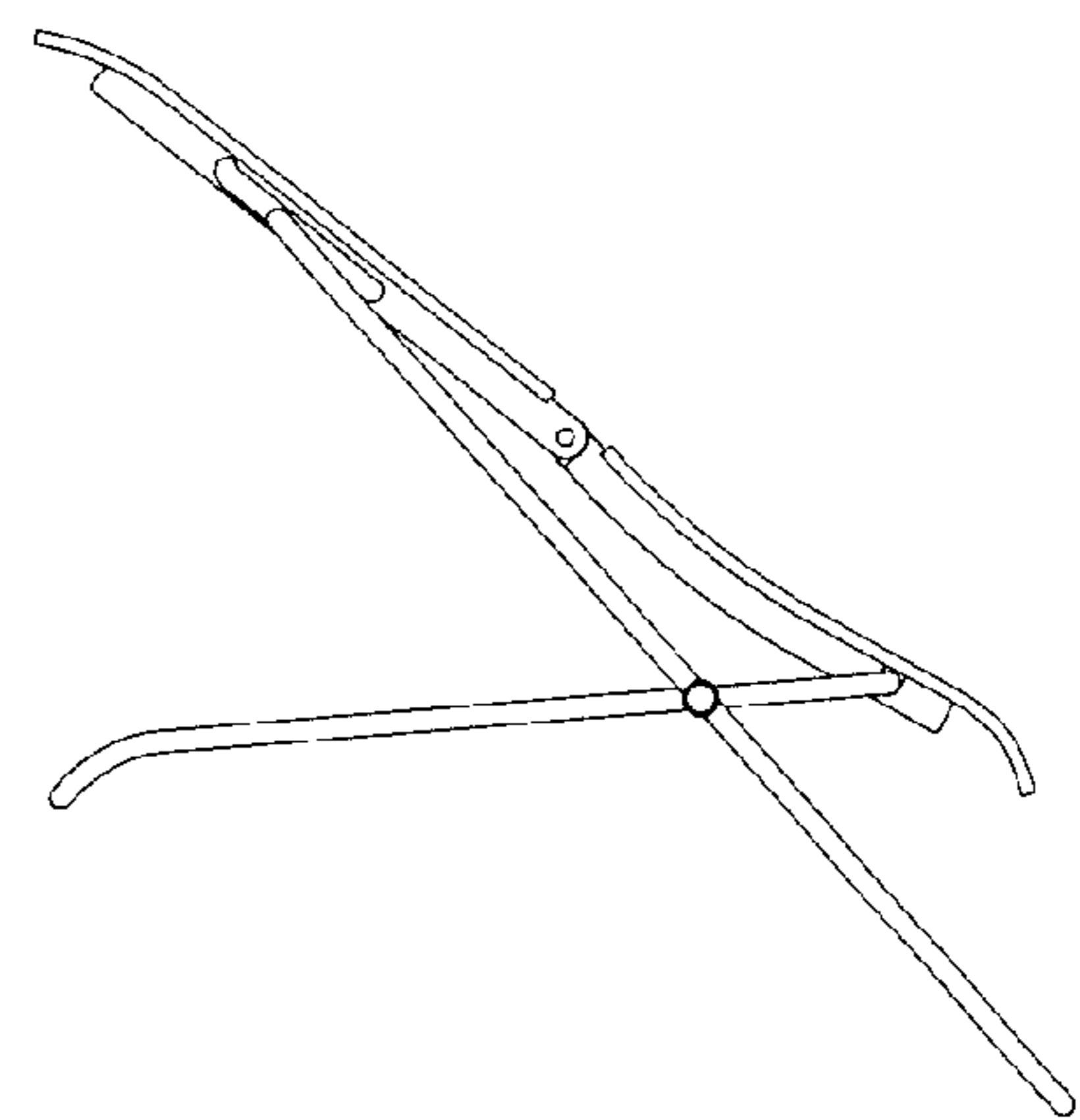


Fig. 8

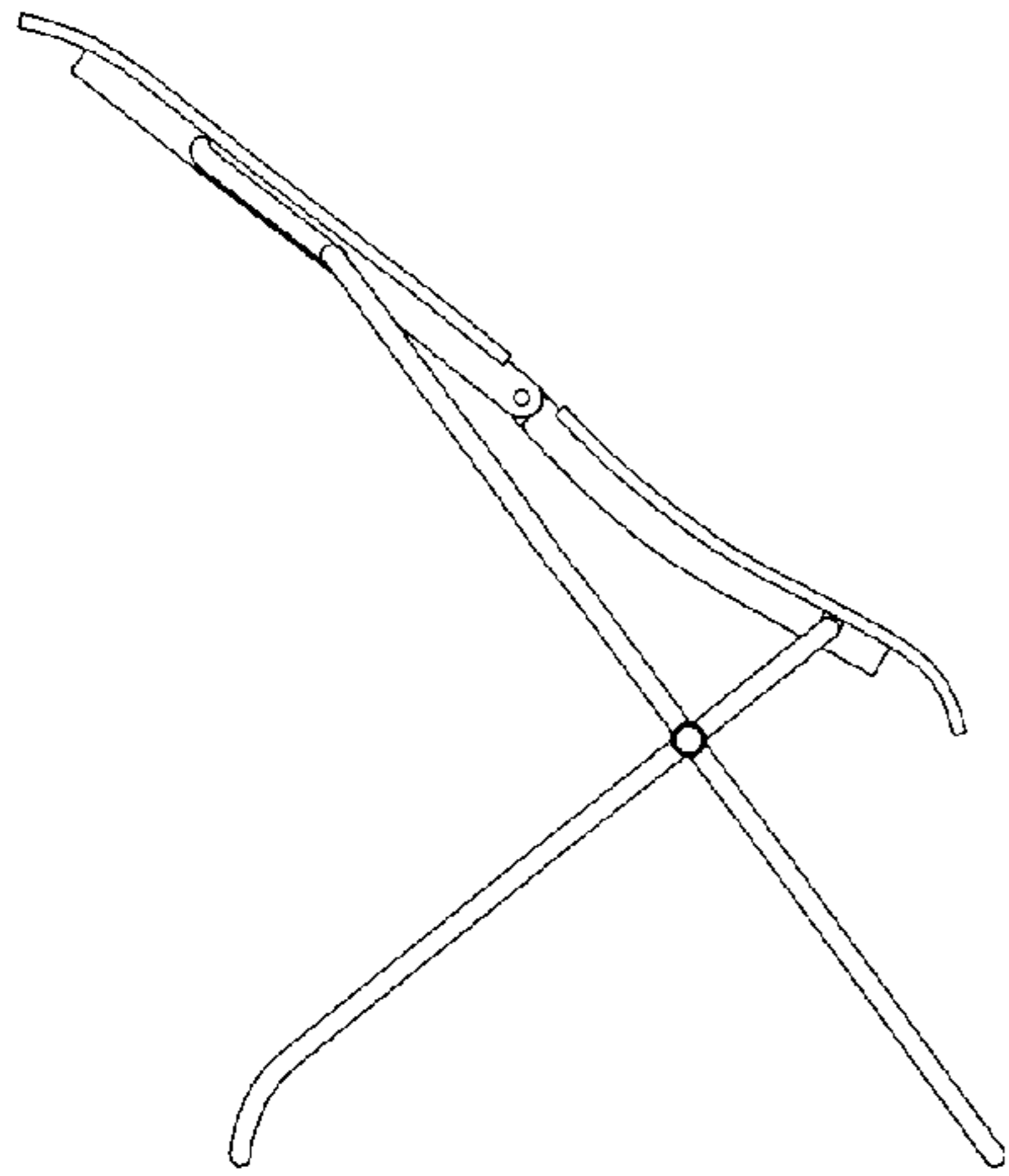


Fig. 9

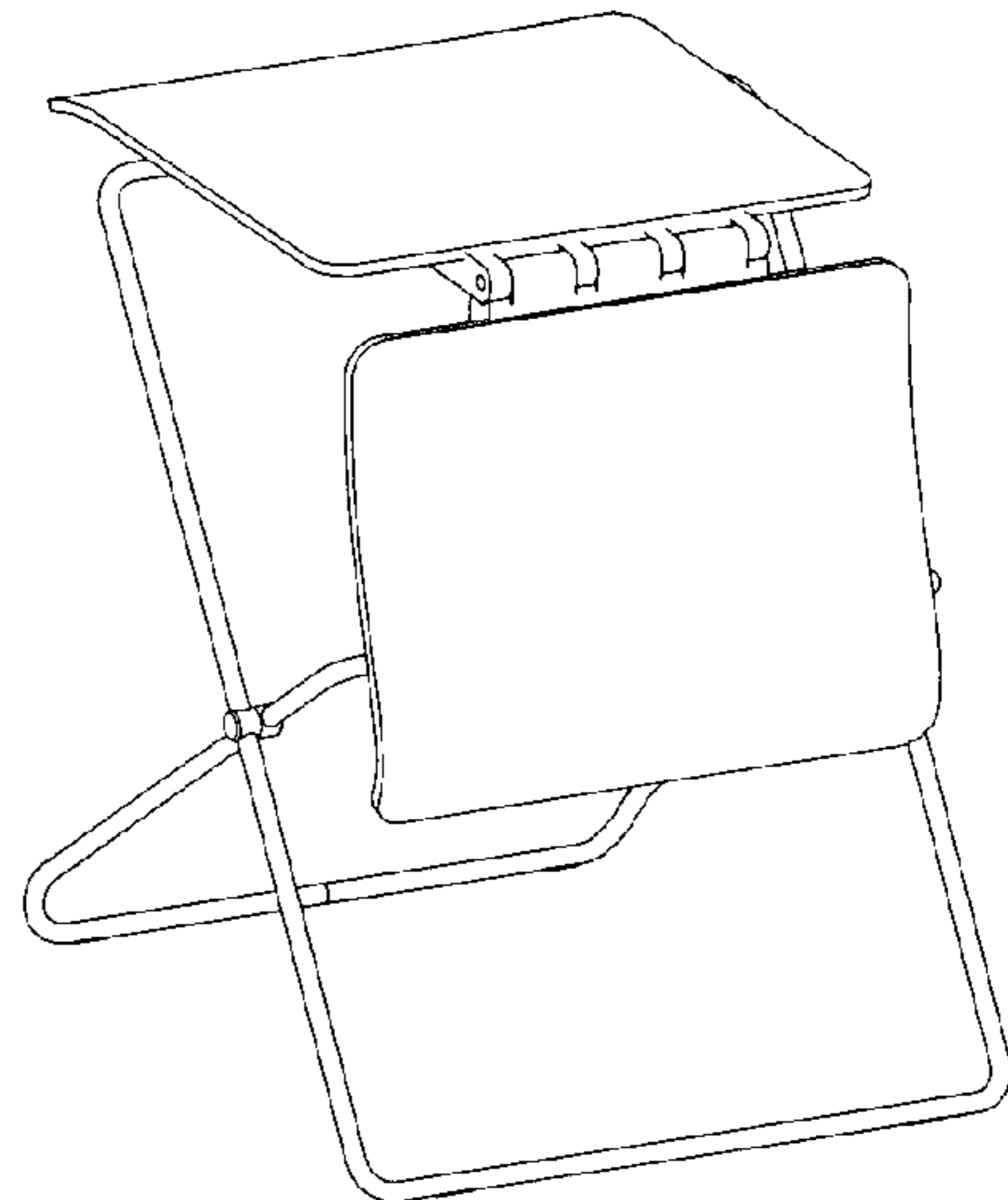


Fig. 10

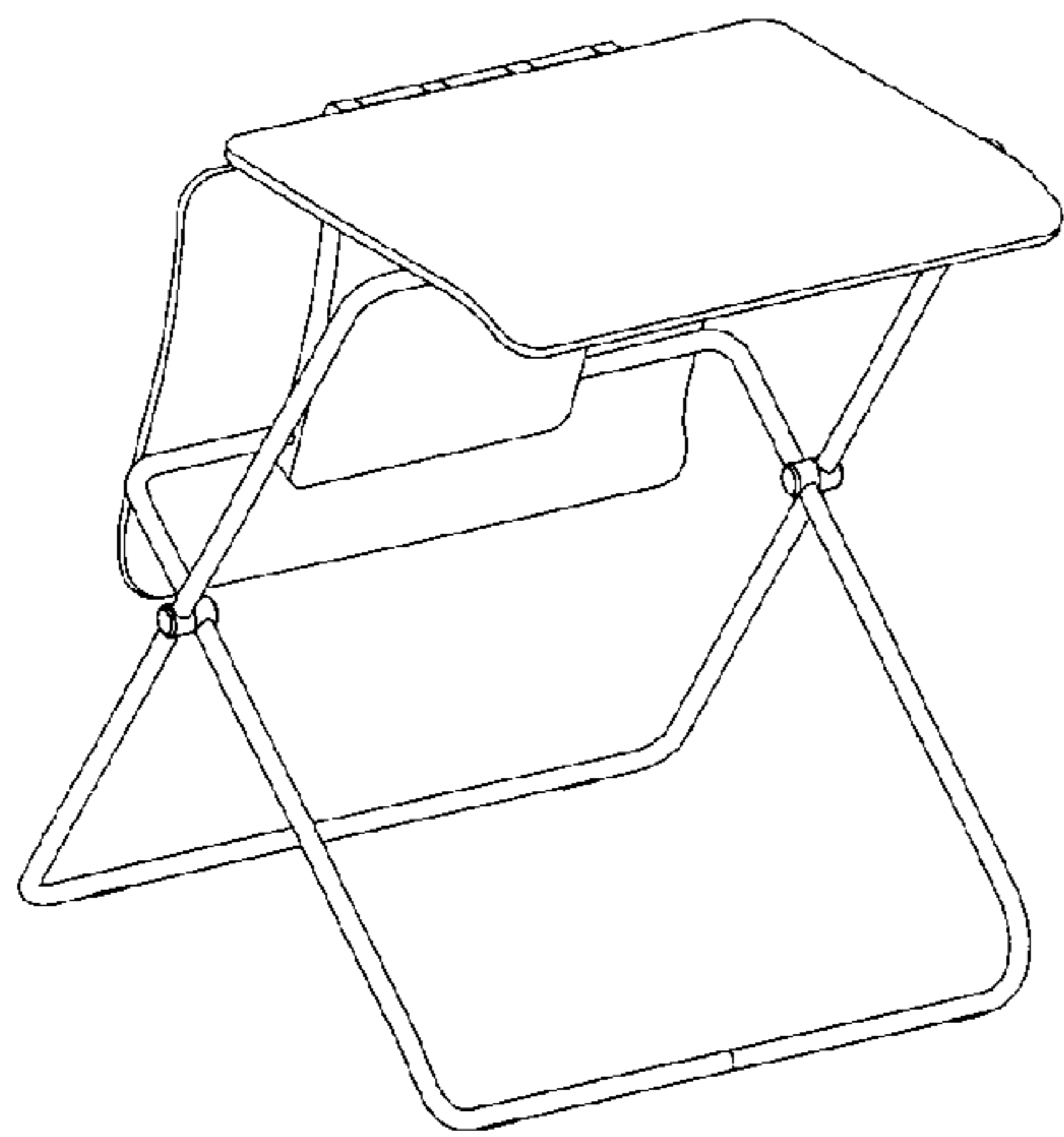


Fig. 11

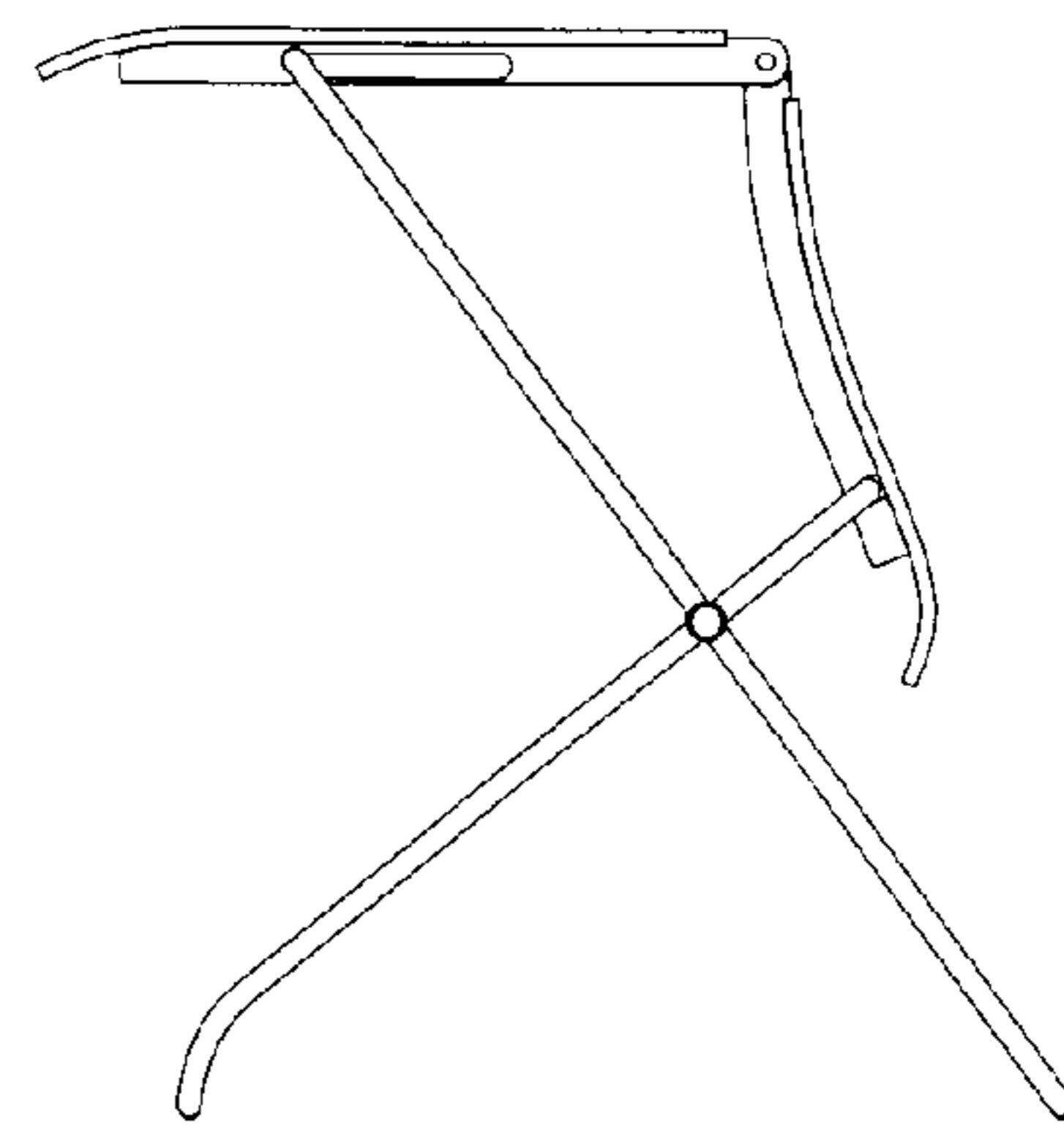


Fig. 12

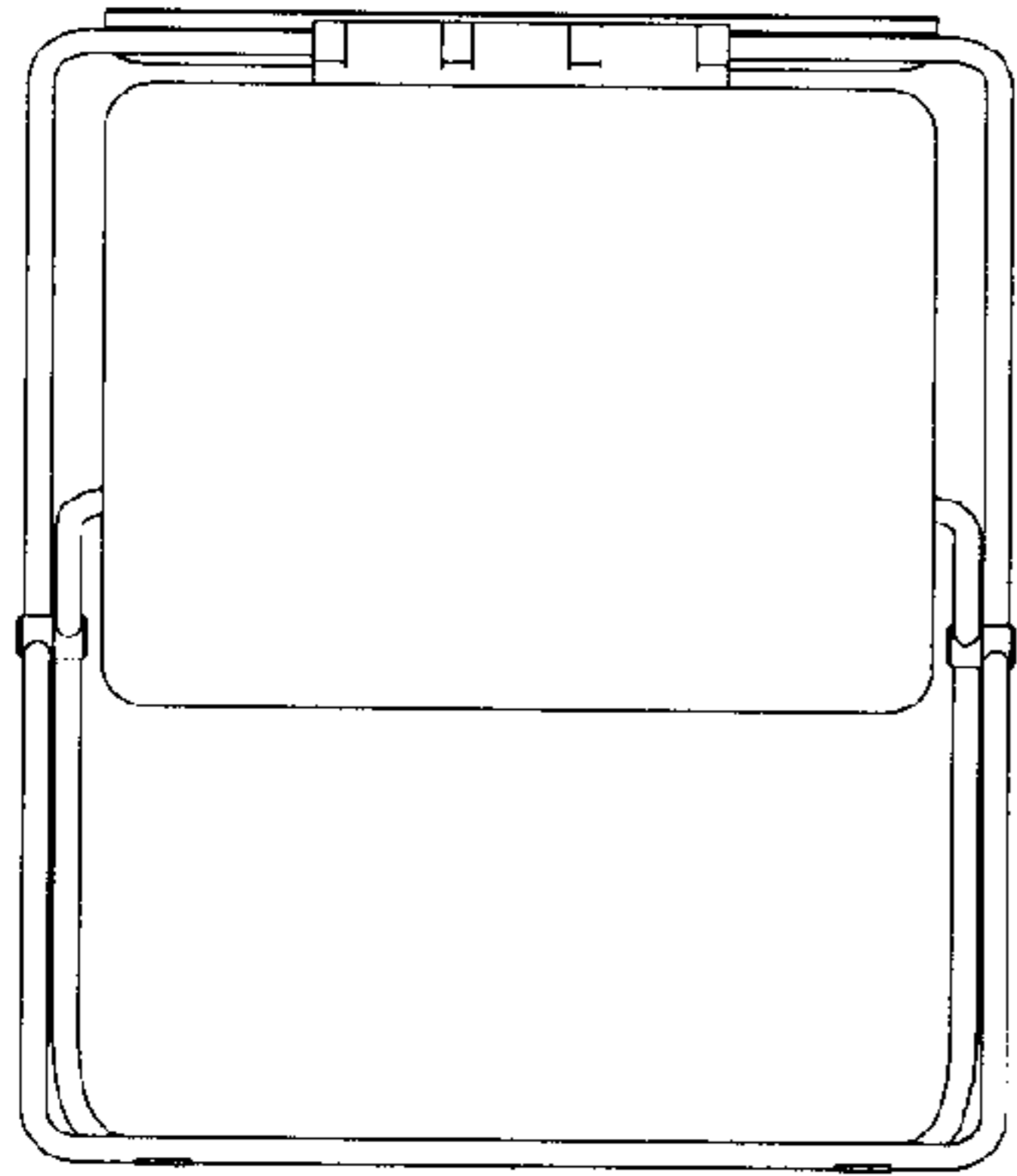


Fig. 13

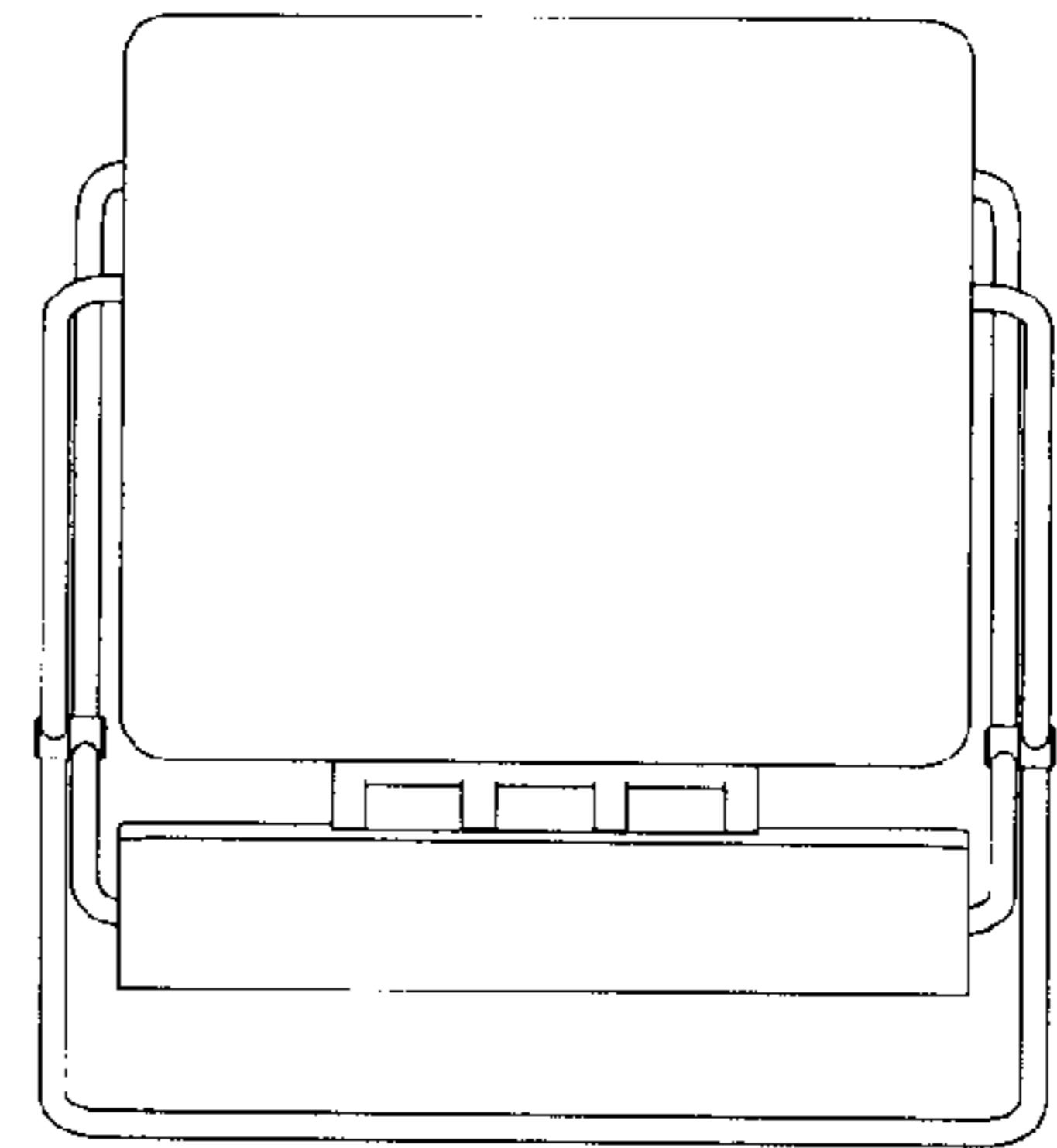


Fig. 14

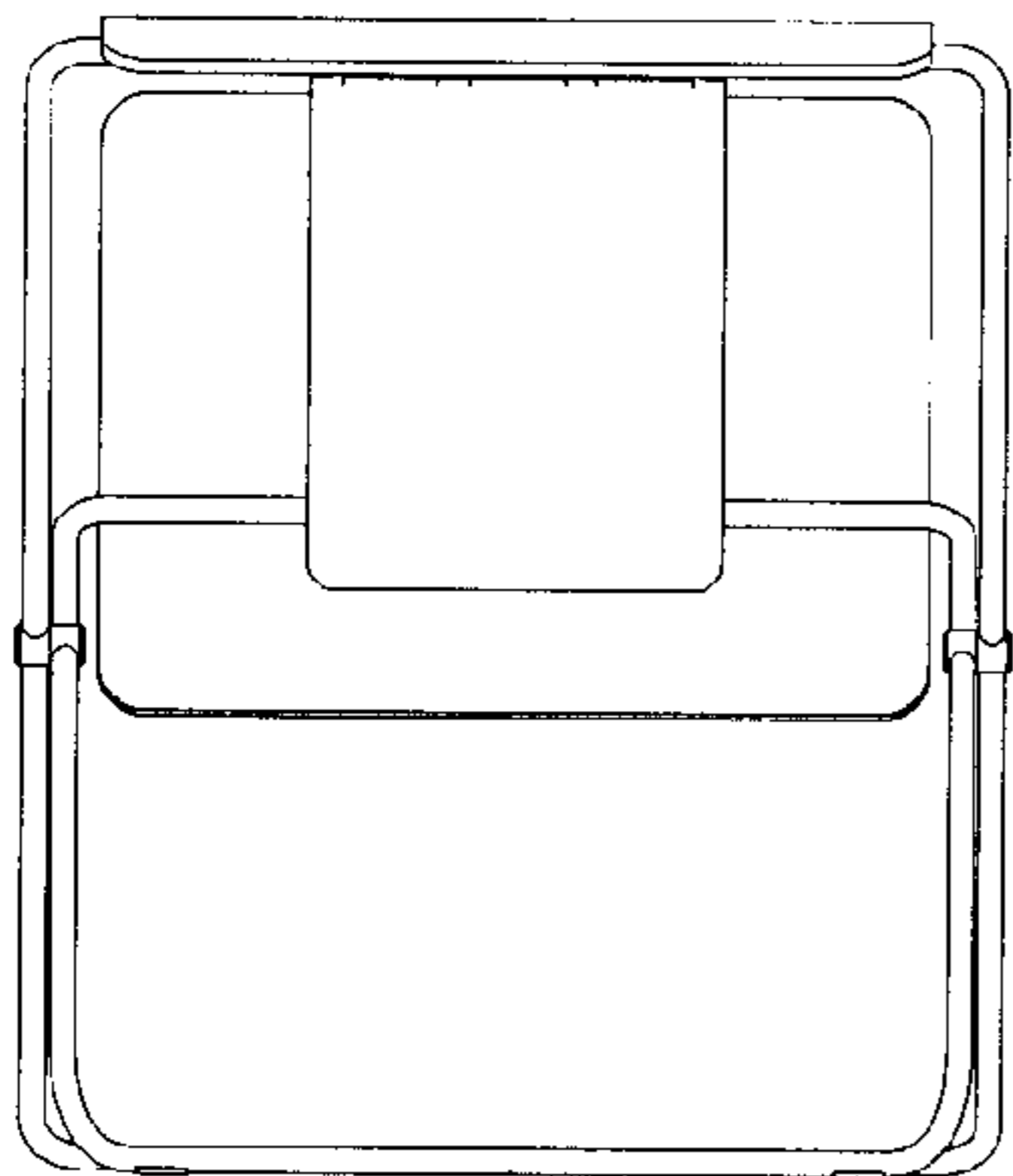


Fig. 15