

US00D505557S

(12) **United States Design Patent**
Ng

(10) **Patent No.:** **US D505,557 S**

(45) **Date of Patent:** **** May 31, 2005**

(54) **PORTABLE TRAVELING MIRROR WITH FOLDABLE HANDLE BASE**

D146,364 S * 2/1947 Kalil D6/309
D486,964 S * 2/2004 Prince et al. D6/310

(75) Inventor: **Eddie Tit Lung Ng**, Hong Kong (CN)

* cited by examiner

(73) Assignee: **Engco International (H.K.) Limited**,
Kowloon (HK)

Primary Examiner—Janice E. Seeger
Assistant Examiner—Sydney R. Buffalow

(**) Term: **14 Years**

(74) *Attorney, Agent, or Firm*—Bacon & Thomas PLLC

(21) Appl. No.: **29/209,426**

(22) Filed: **Jul. 16, 2004**

(57) **CLAIM**

The ornamental design for a portable traveling mirror with foldable handle base, as shown.

(51) **LOC (7) Cl.** **06-07**

DESCRIPTION

(52) **U.S. Cl.** **D6/312**

(58) **Field of Search** D6/300–314, 444;
40/700, 711, 714, 715, 716, 719, 720, 721,
722, 735, 738, 744, 745, 754, 765, 768,
769, 790, 798, 597; D20/29–32, 10; D11/131,
133, 134, 135; 359/838, 871, 872; 248/466–467;
D28/64.1, 64.4, 64.6

FIG. 1 is a front and right side perspective view of a portable traveling mirror with foldable handle base showing my new design;

FIG. 2 is a front elevational view thereof;

FIG. 3 is a rear elevational view thereof;

FIG. 4 is a right side elevational view thereof;

FIG. 5 is a left side elevational view thereof;

FIG. 6 is a top plan view thereof; and,

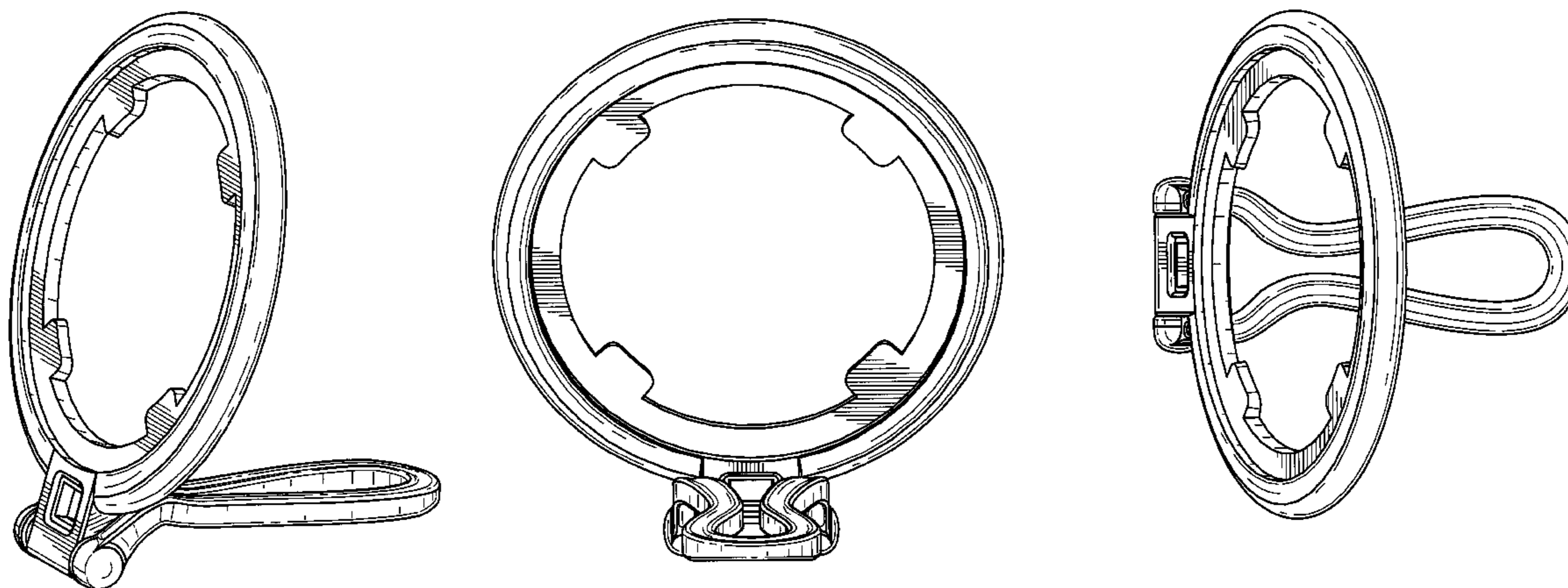
FIG. 7 is a bottom plan view thereof.

(56) **References Cited**

U.S. PATENT DOCUMENTS

D144,084 S * 3/1946 Tro et al. D28/64.6

1 Claim, 4 Drawing Sheets



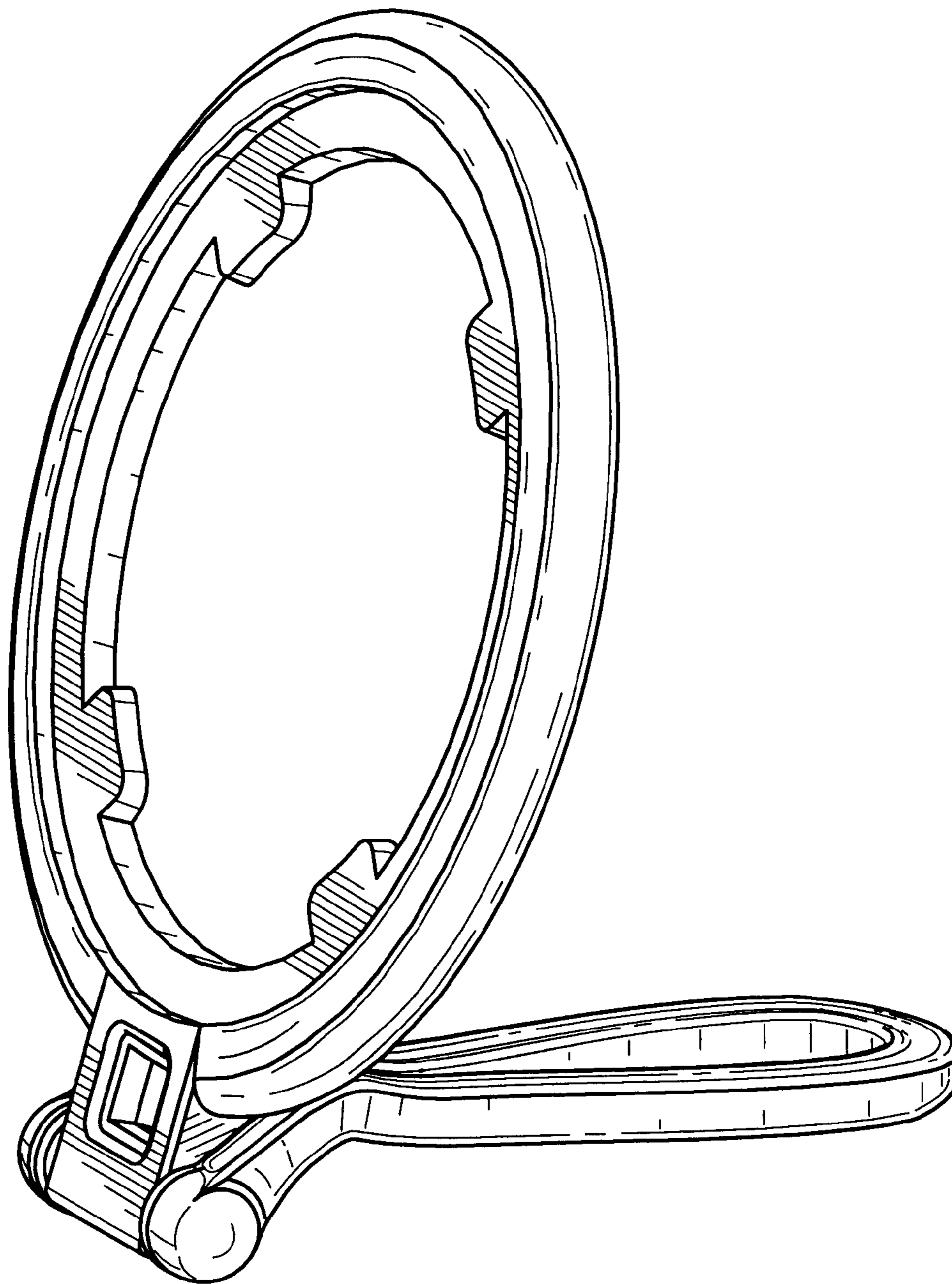


FIG. 1

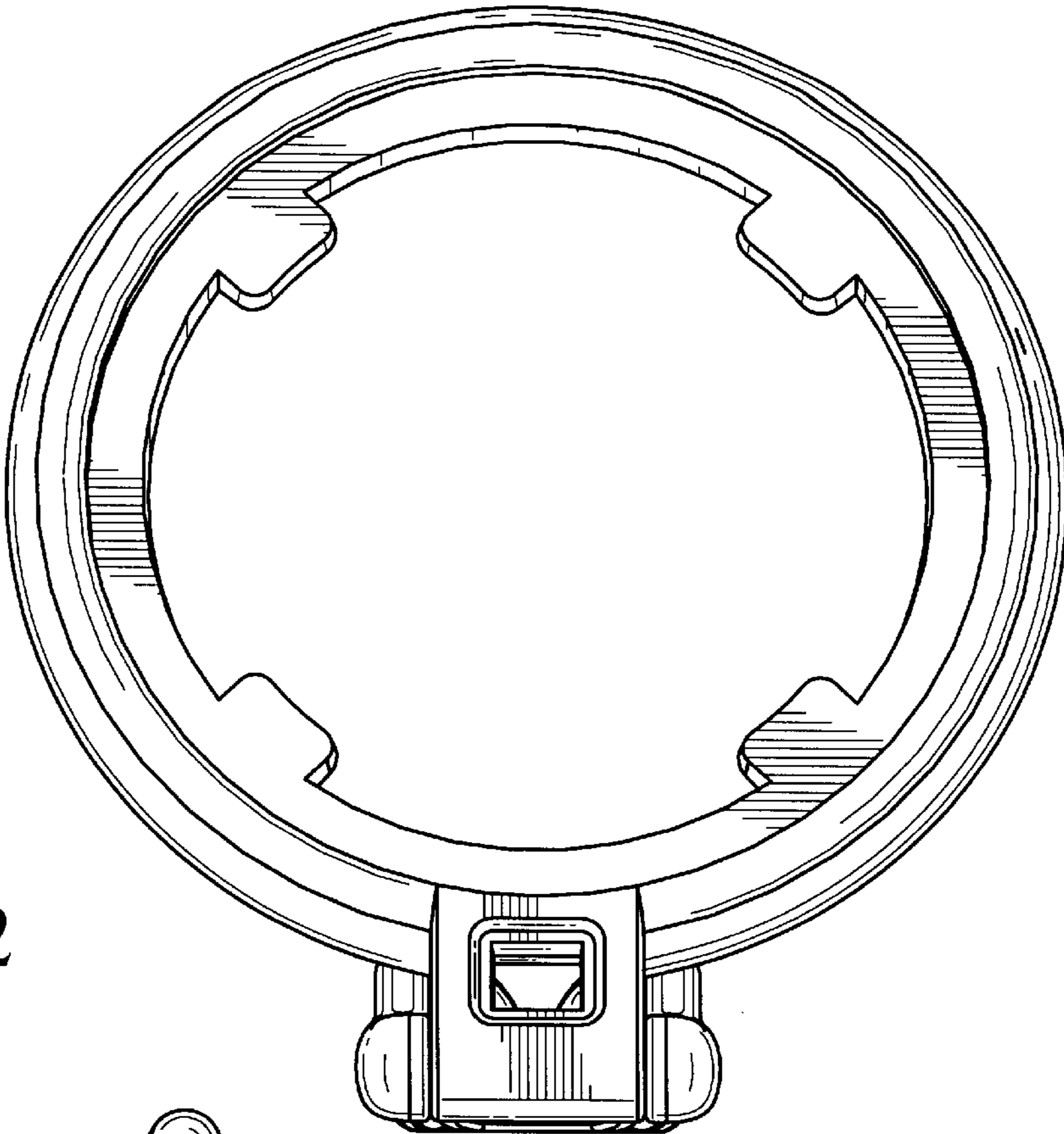


FIG. 2

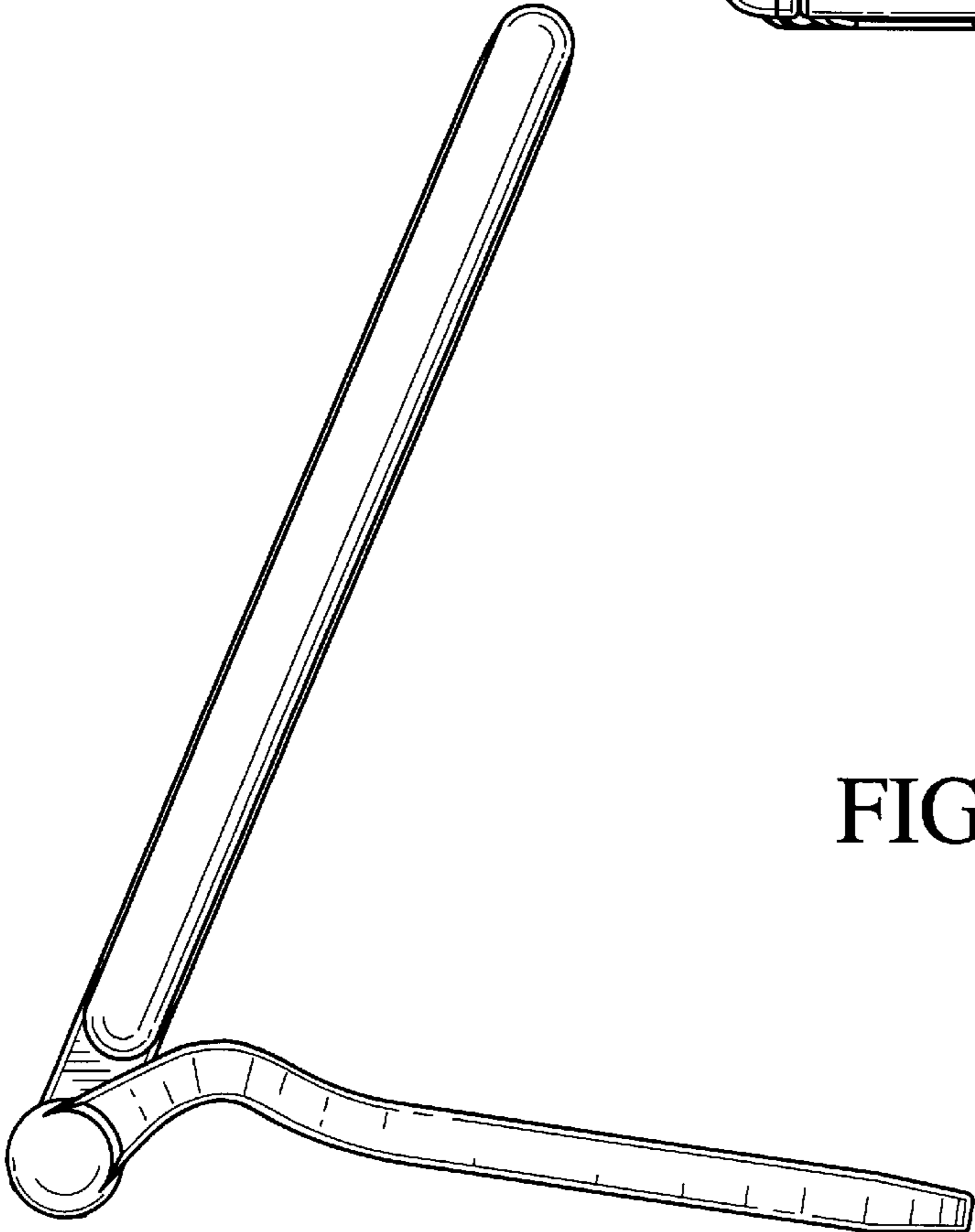


FIG. 4

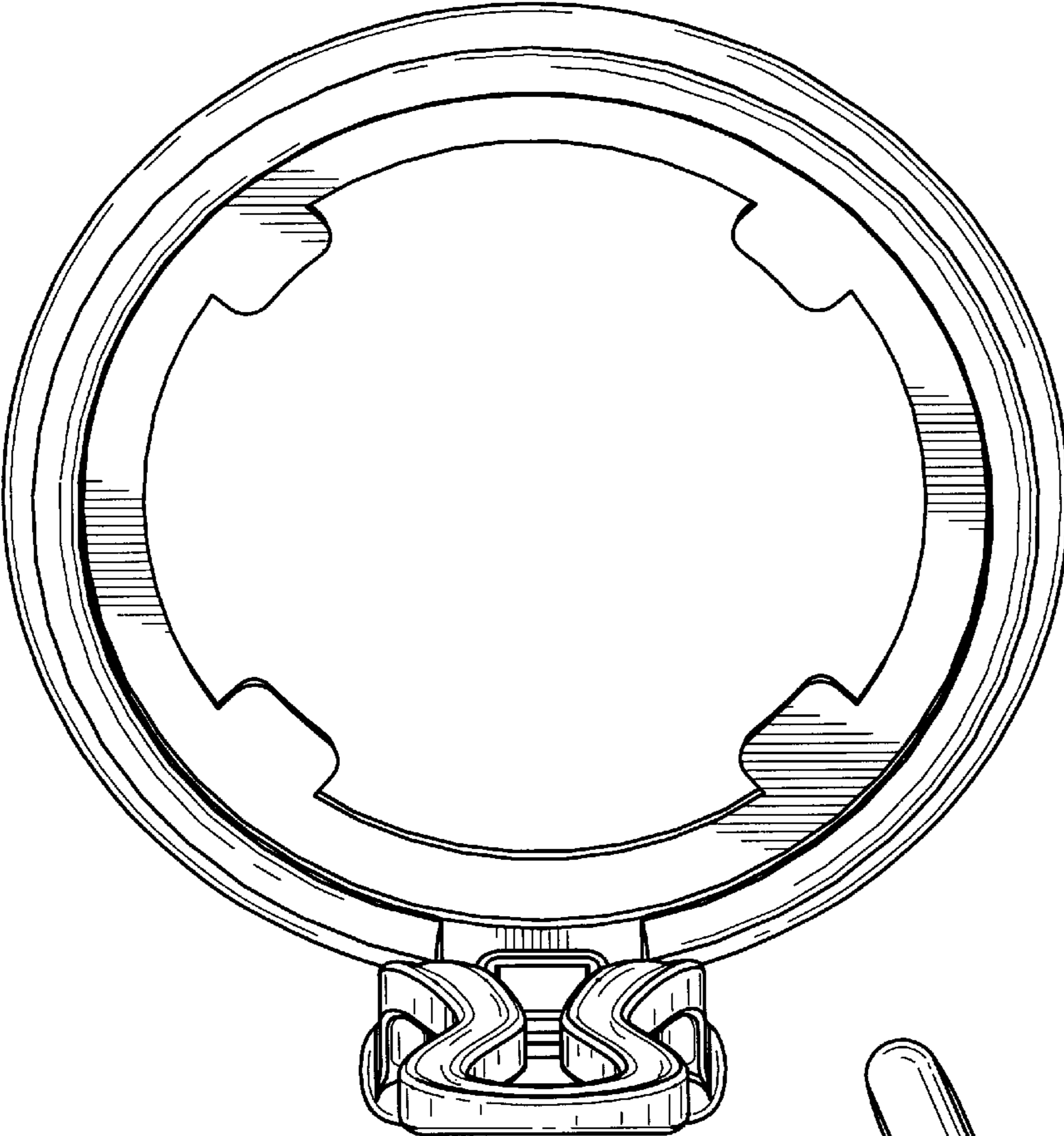


FIG. 3

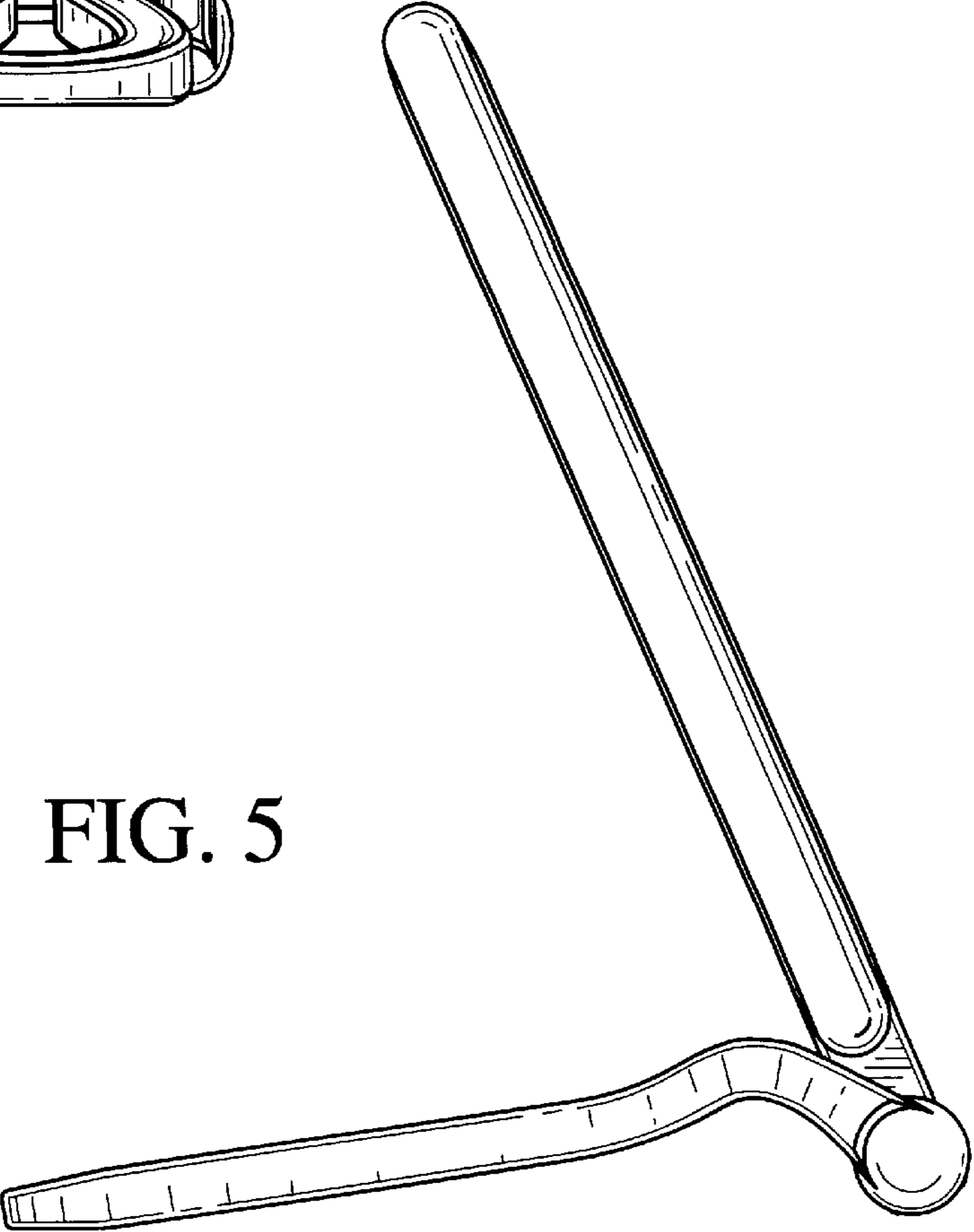


FIG. 5

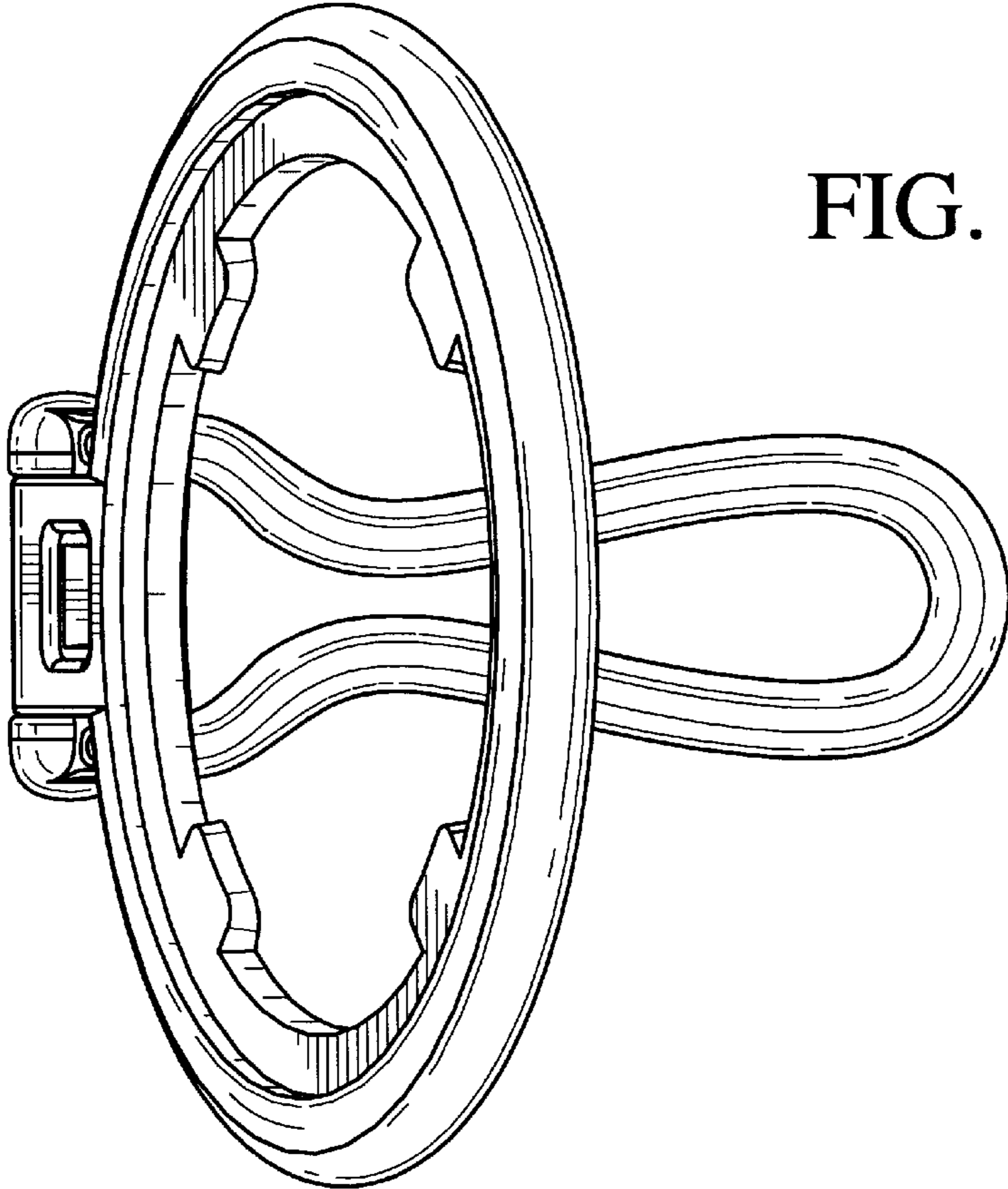


FIG. 6

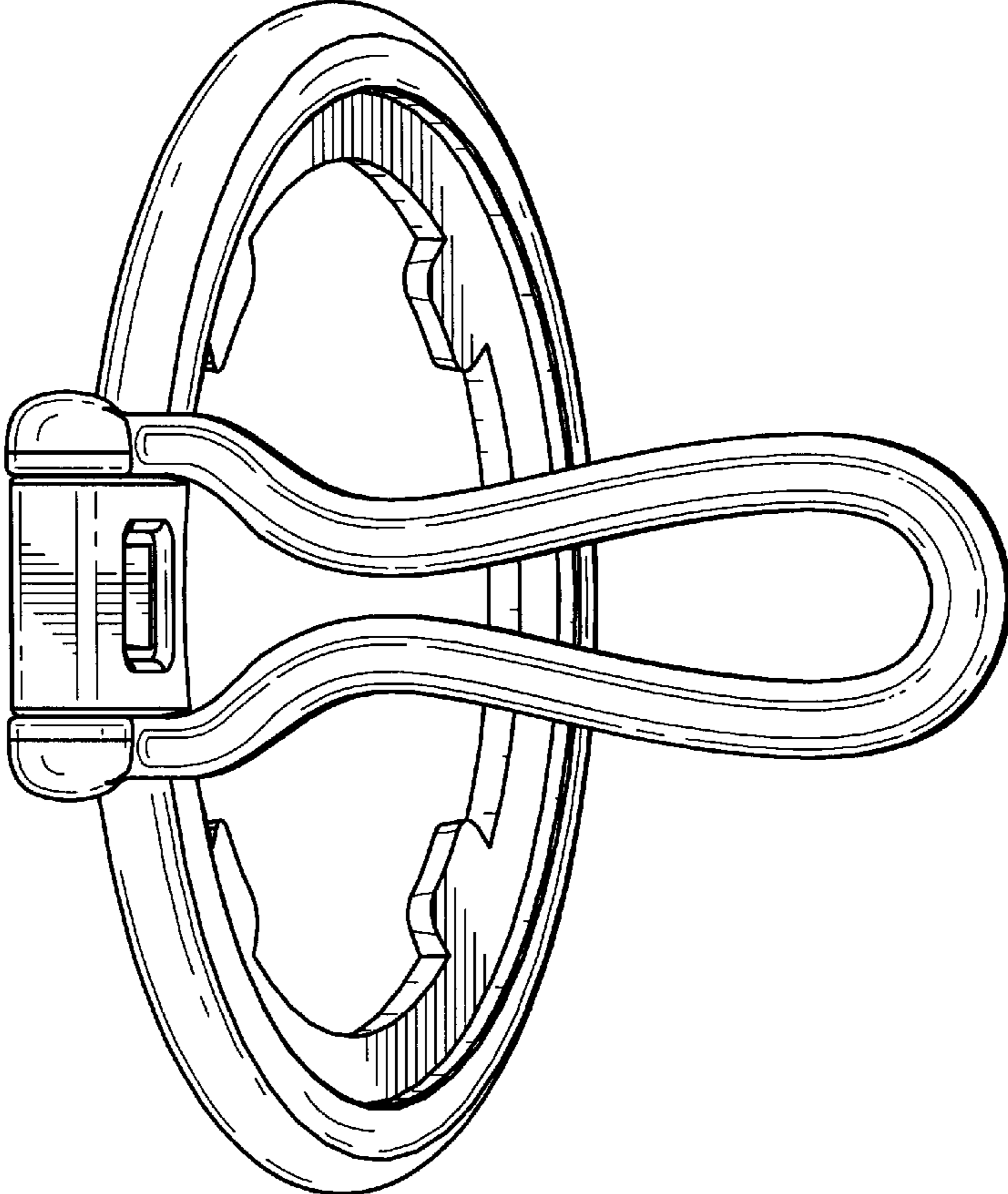


FIG. 7