



US00D505555S

(12) **United States Design Patent**  
**Snell**

(10) **Patent No.:** **US D505,555 S**  
(45) **Date of Patent:** **\*\* May 31, 2005**

(54) **SUCTION MIRROR**

(75) Inventor: **Russell Benton Snell**, Bentleyville, OH (US)

(73) Assignee: **InterDesign, Inc.**, Solon, OH (US)

(\*\*) Term: **14 Years**

(21) Appl. No.: **29/211,403**

(22) Filed: **Aug. 16, 2004**

(51) **LOC (7) Cl.** ..... **06-07**

(52) **U.S. Cl.** ..... **D6/309**

(58) **Field of Search** ..... D6/300-314, 444;  
40/700, 711, 735, 714-716, 719-722, 738,  
744, 745, 754, 765, 768, 769, 790, 798,  
597; 248/466-467; D20/10, 29-32; D11/131,  
133-135; 359/838, 871, 872

(56) **References Cited**

**U.S. PATENT DOCUMENTS**

D324,463 S	*	3/1992	Young	.....	D6/525
D377,421 S	*	1/1997	Young	.....	D6/300
D486,962 S		2/2004	Snell		
D492,493 S		7/2004	Dretzka		

\* cited by examiner

*Primary Examiner*—Janice E. Seeger  
*Assistant Examiner*—Sydney R. Buffalow

(74) *Attorney, Agent, or Firm*—D. Peter Hochberg; Sean Mellino; Katherine R. Vieyra

(57) **CLAIM**

The ornamental design for a suction mirror, as shown and described.

**DESCRIPTION**

FIG. 1 is a perspective view of the suction mirror according to the invention;

FIG. 2 is a top view of the suction mirror as shown in FIG. 1;

FIG. 3 is a front view of the suction mirror as shown in FIG. 1;

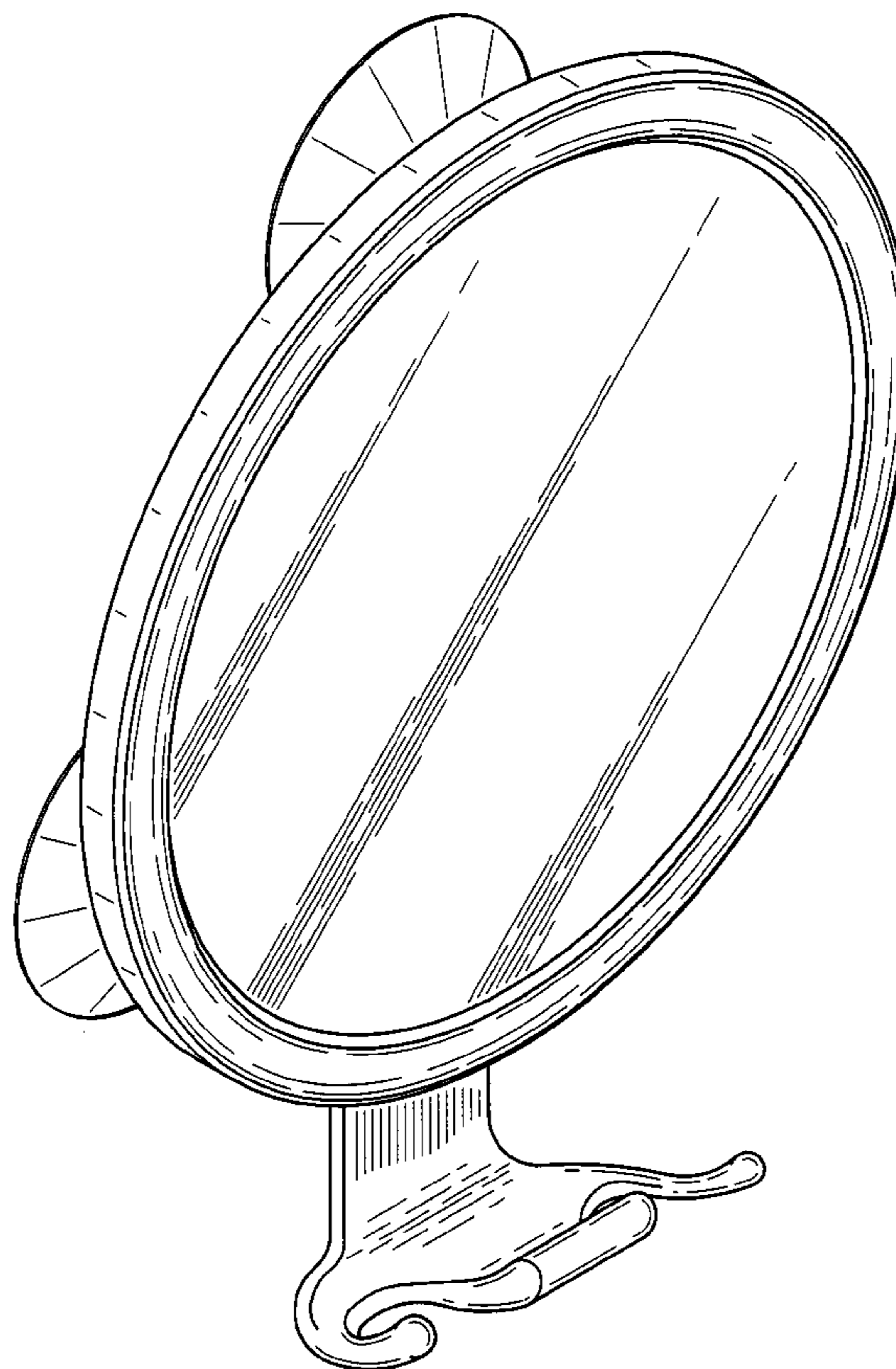
FIG. 4 is a right side view of the suction mirror as shown in FIG. 1;

FIG. 5 is a rear view of the suction mirror as shown in FIG. 1;

FIG. 6 is a left side view of the suction mirror as shown in FIG. 1; and,

FIG. 7 is a bottom view of the suction mirror as shown in FIG. 1;

**1 Claim, 3 Drawing Sheets**



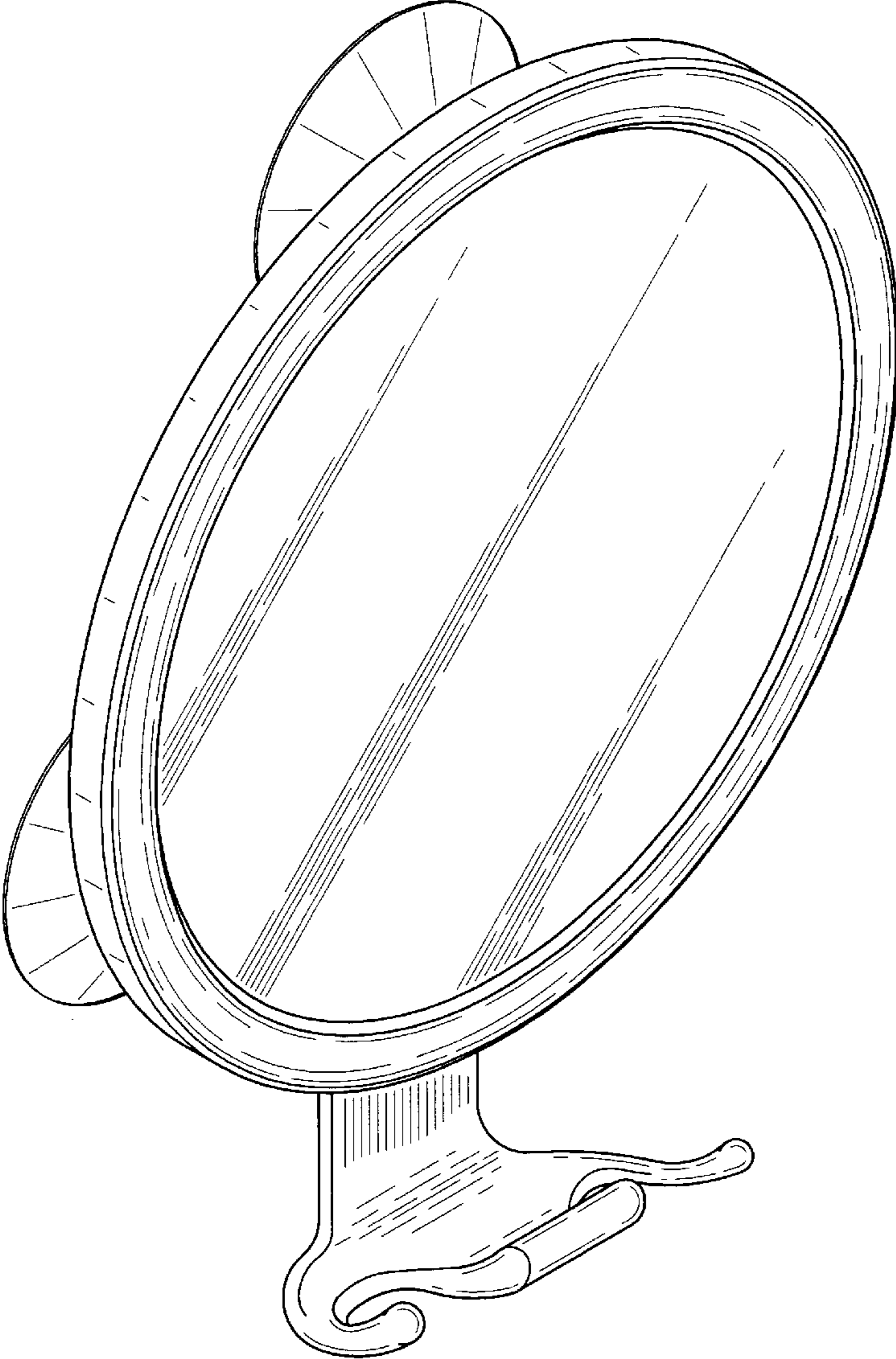


FIG-1

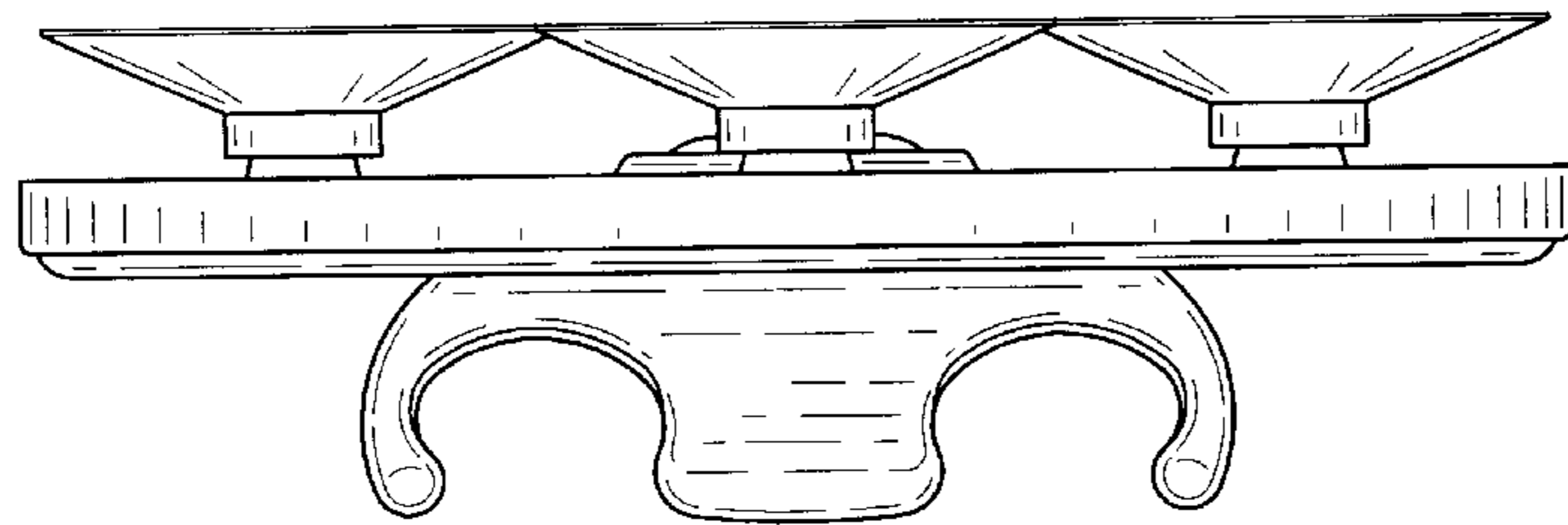


FIG-2

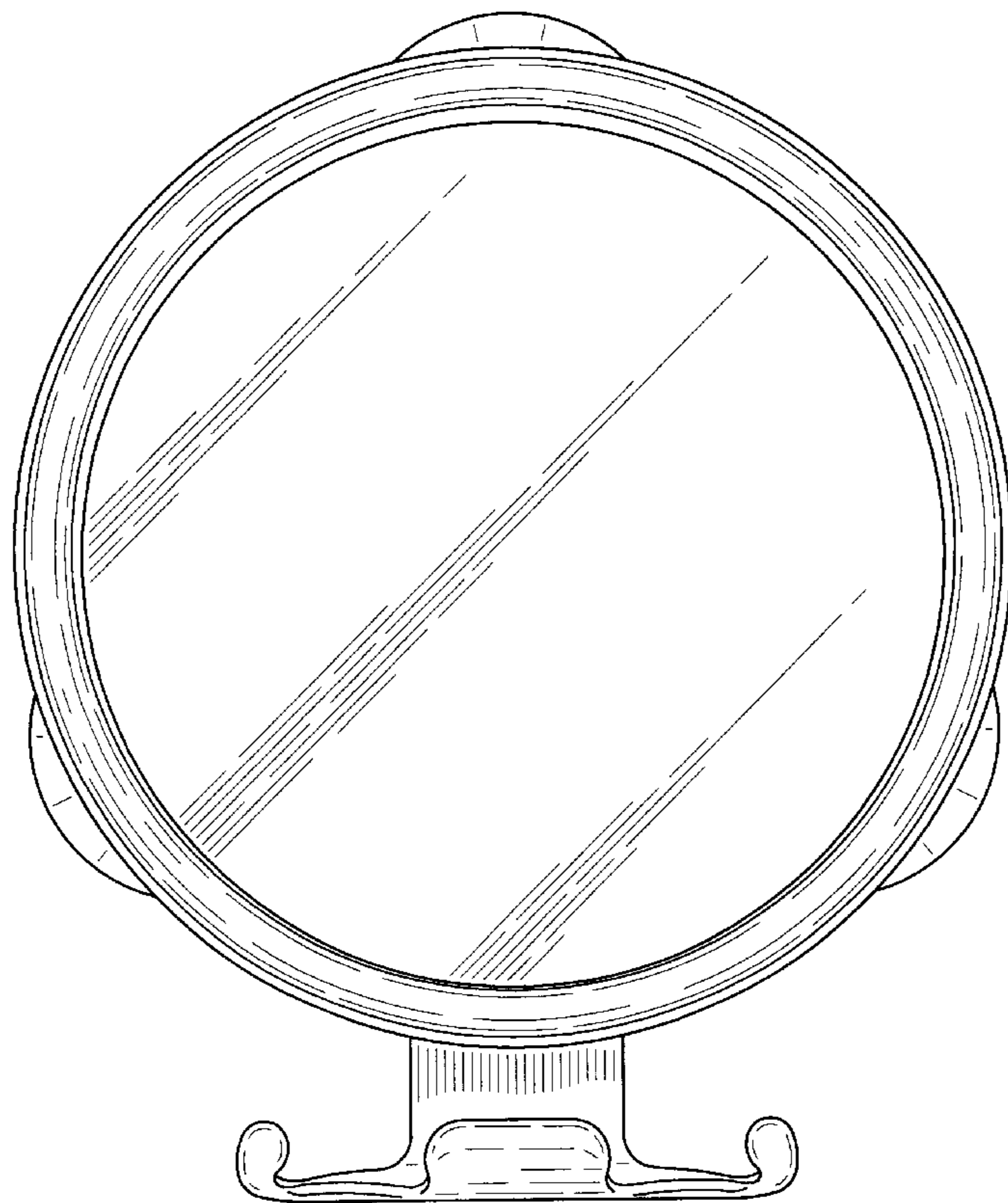


FIG-3



FIG-4

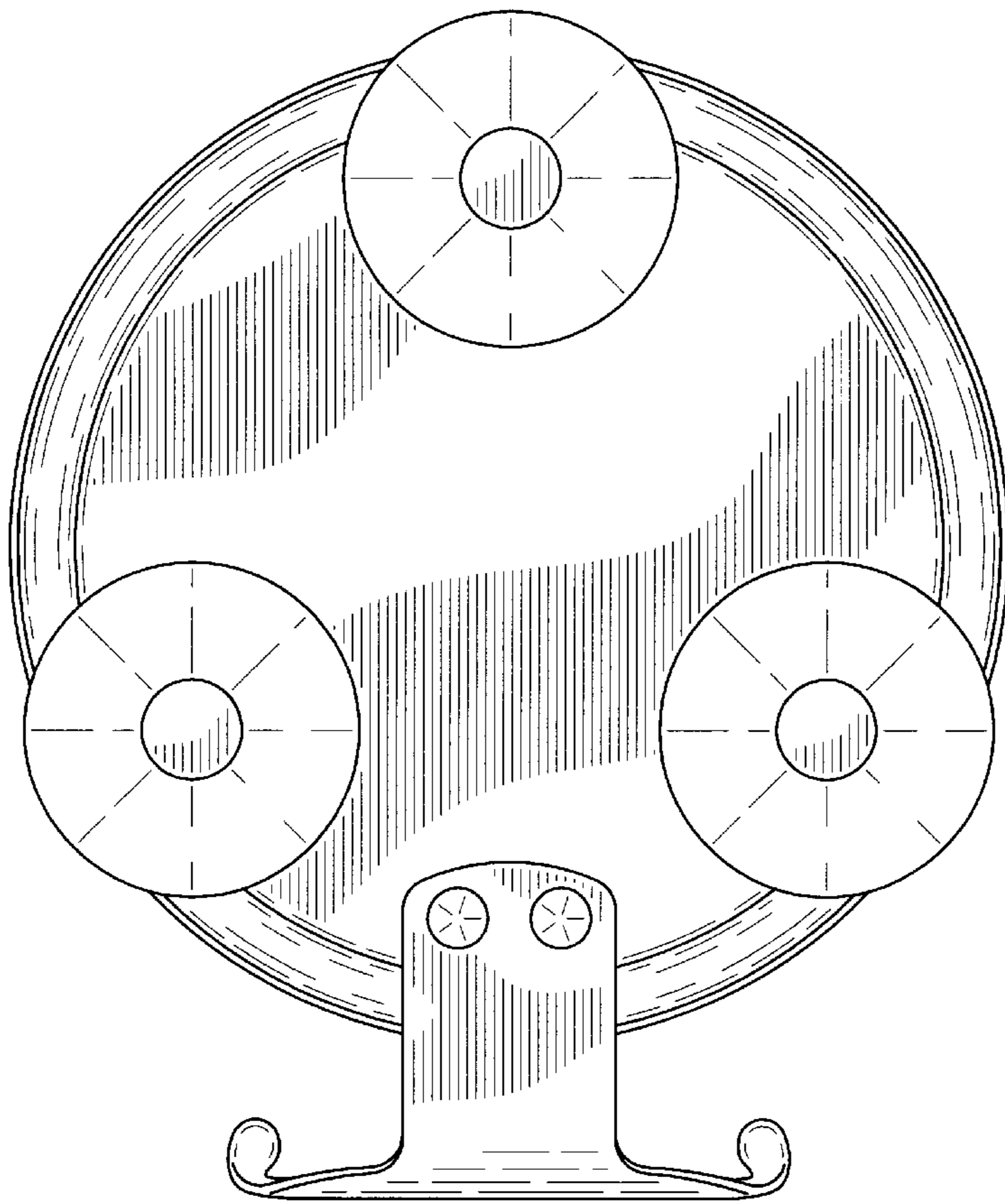


FIG-5

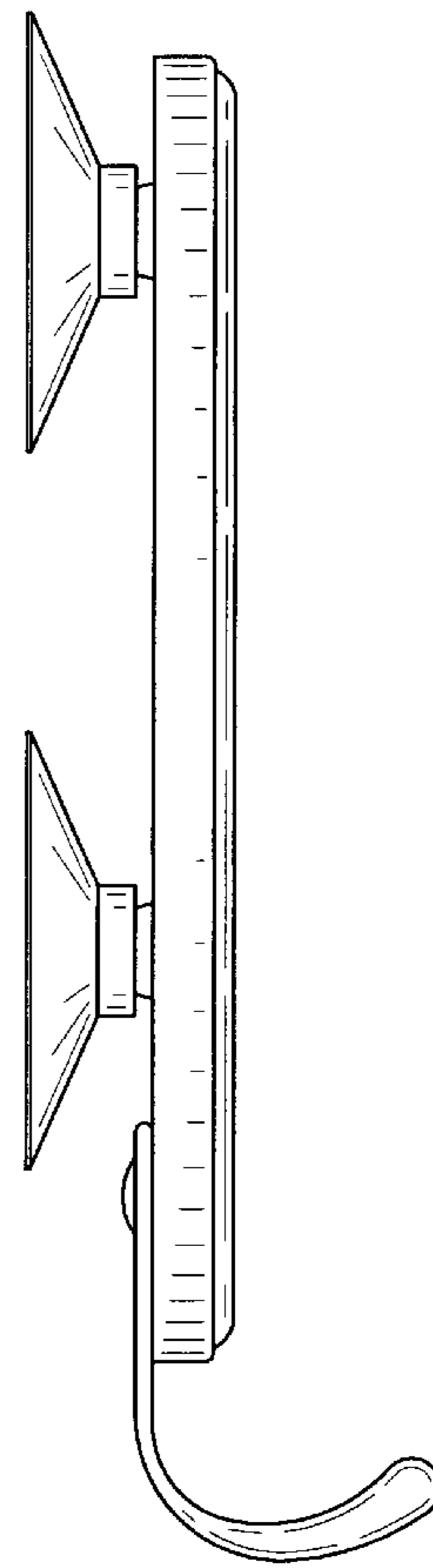


FIG-6

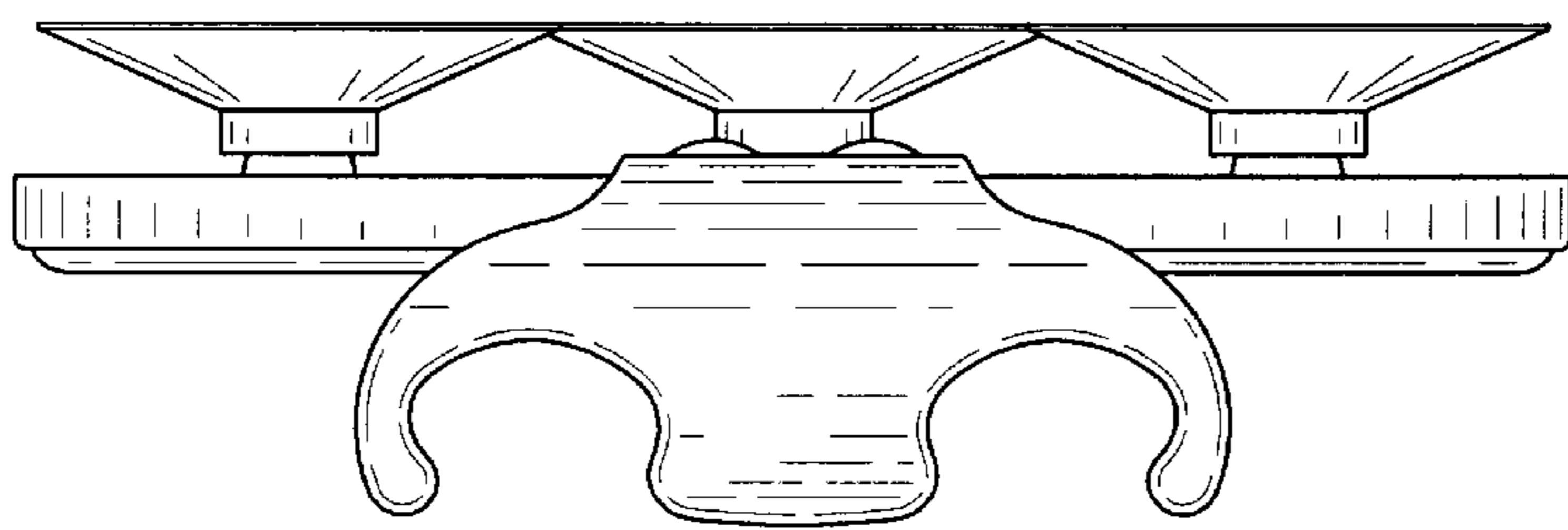


FIG-7