



US00D505553S

(12) **United States Design Patent**
Mohundro

(10) **Patent No.:** **US D505,553 S**
(45) **Date of Patent:** **** May 31, 2005**

(54) **MIRROR**

(75) **Inventor:** **James Glenn Mohundro, Taichung (TW)**

(73) **Assignee:** **Pacific Marketing International (H.K.), Ltd., Taichung (TW)**

(**) **Term:** **14 Years**

(21) **Appl. No.:** **29/203,353**

(22) **Filed:** **Apr. 14, 2004**

(51) **LOC (7) Cl.** **06-07**

(52) **U.S. Cl.** **D6/300**

(58) **Field of Search** D6/300-314, 444;
40/700, 711, 735, 714-716, 719-722, 738,
744, 745, 754, 765, 768, 769, 790, 798,
597; 248/466-467; D20/10, 29-32; D11/131,
133-135; 359/838, 871, 872

(56) **References Cited**

U.S. PATENT DOCUMENTS

D162,355 S * 3/1951 Smith D20/10
D480,222 S * 10/2003 Lee D6/300

OTHER PUBLICATIONS

G&DA, p. 212.*
Hong Kong Household, 9/83, #B.*
Schwartz Glass & Mirror Company, p. 5 #140b.*

* cited by examiner

Primary Examiner—Janice E. Seeger
Assistant Examiner—Sydney R. Buffalow
(74) *Attorney, Agent, or Firm*—Rosenberg, Klein & Lee

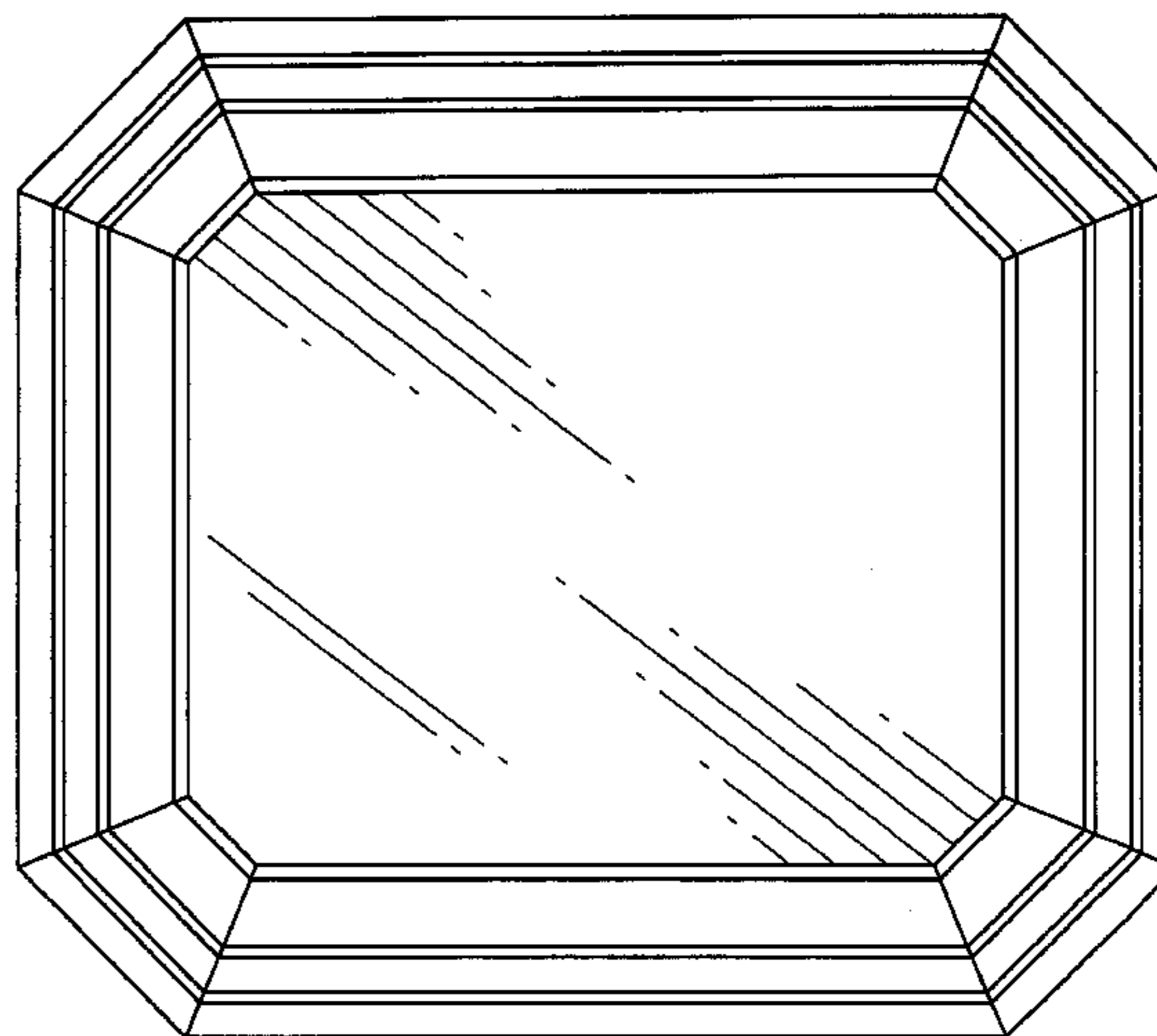
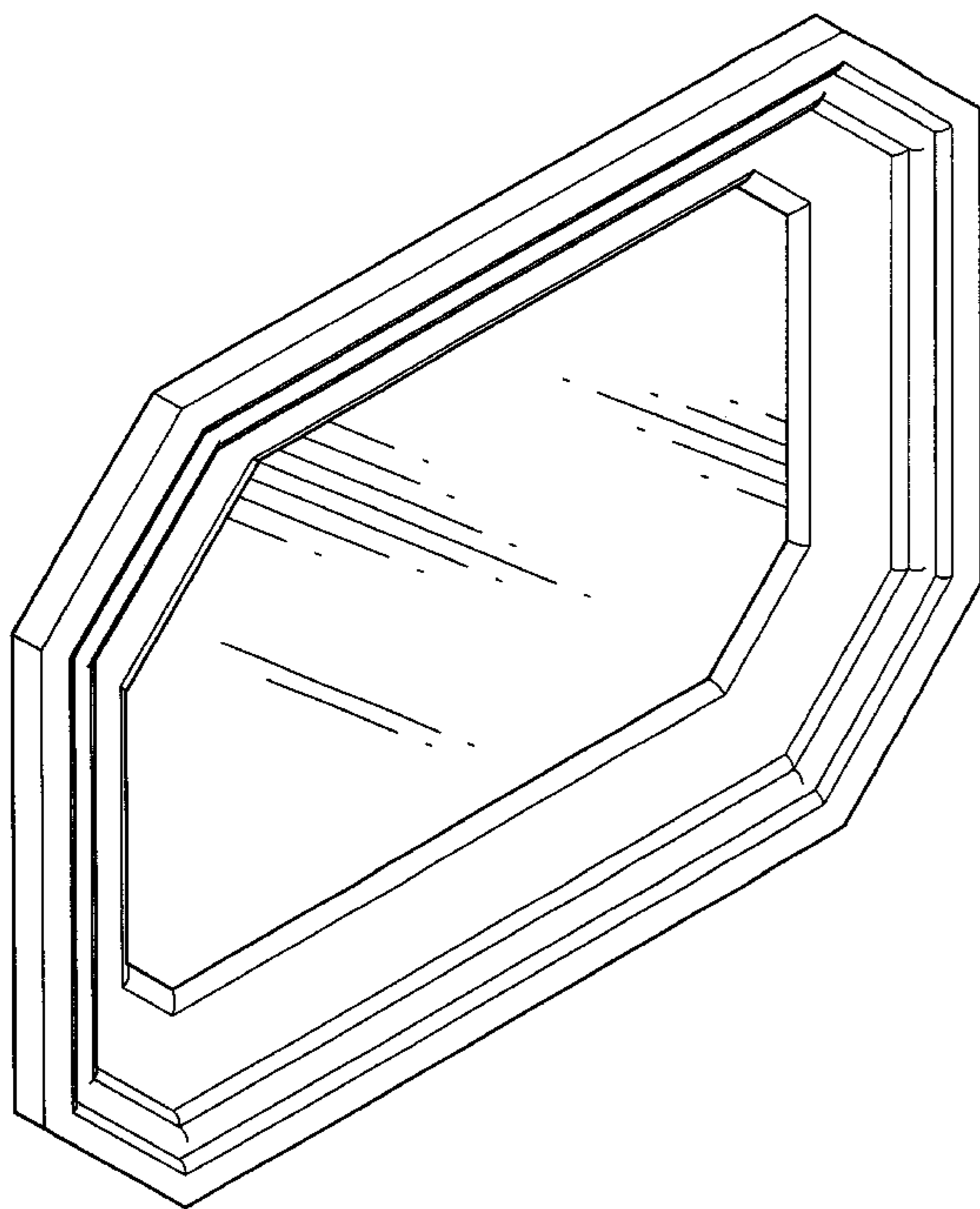
(57) **CLAIM**

The ornamental design for a mirror, as shown and described.

DESCRIPTION

FIG. 1 is a perspective view of a mirror, showing my new design;
FIG. 2 is a front elevational view thereof;
FIG. 3 is a rear elevational view thereof;
FIG. 4 is a left elevational view thereof; and
FIG. 5 is a right elevational view thereof;
FIG. 6 is a top plan view thereof; and,
FIG. 7 is a bottom plan view thereof.

1 Claim, 5 Drawing Sheets



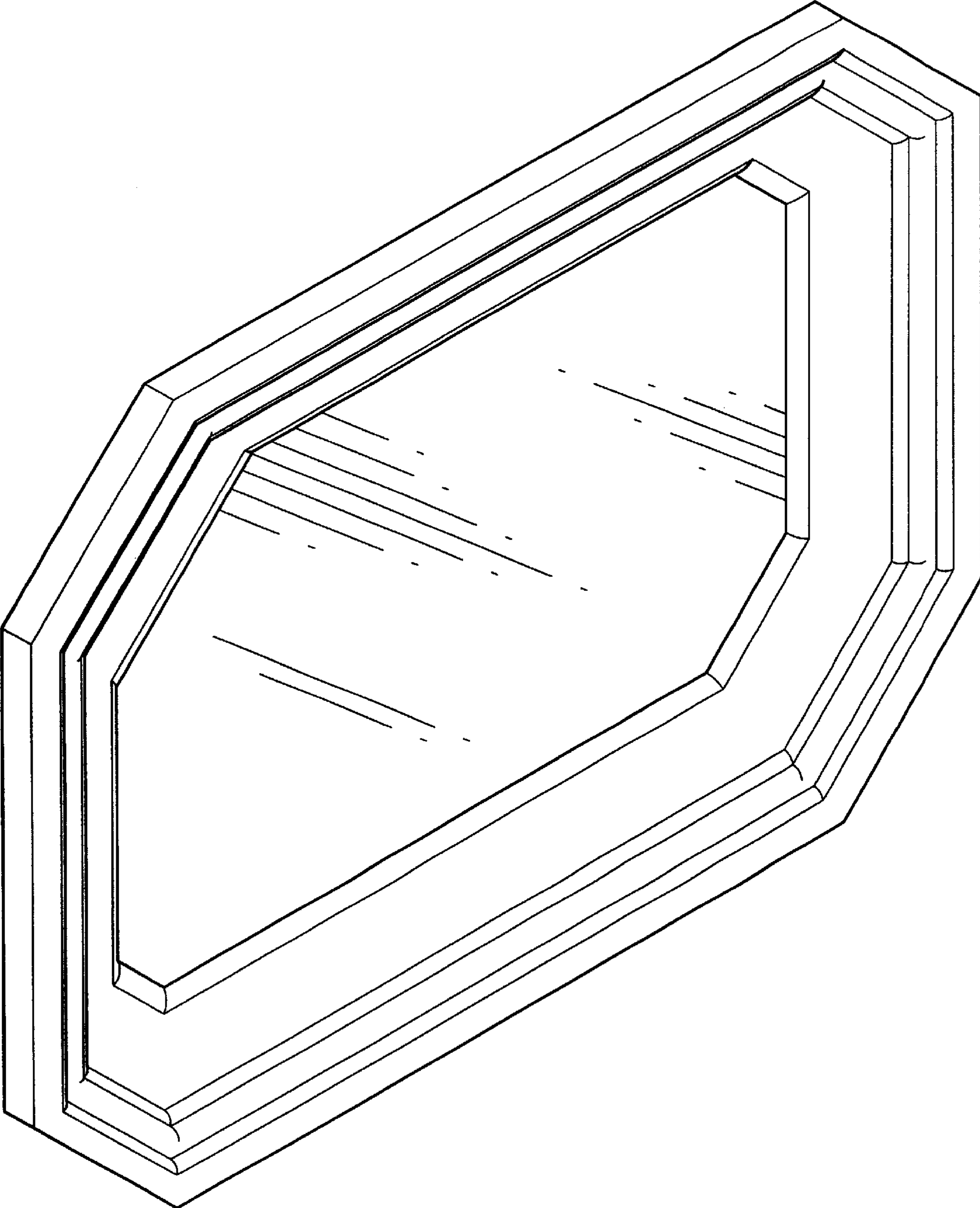


FIG. 1

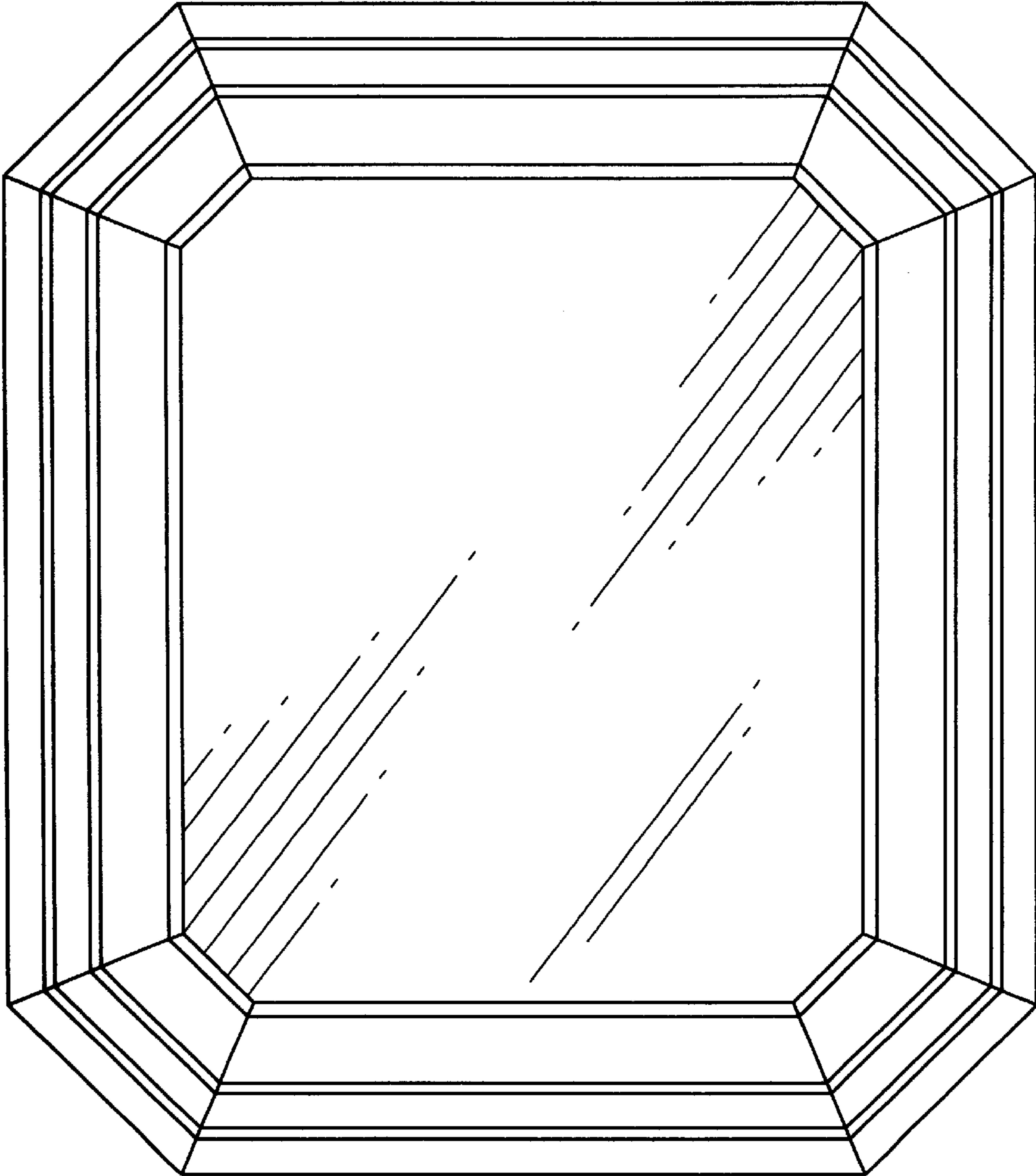


FIG.2

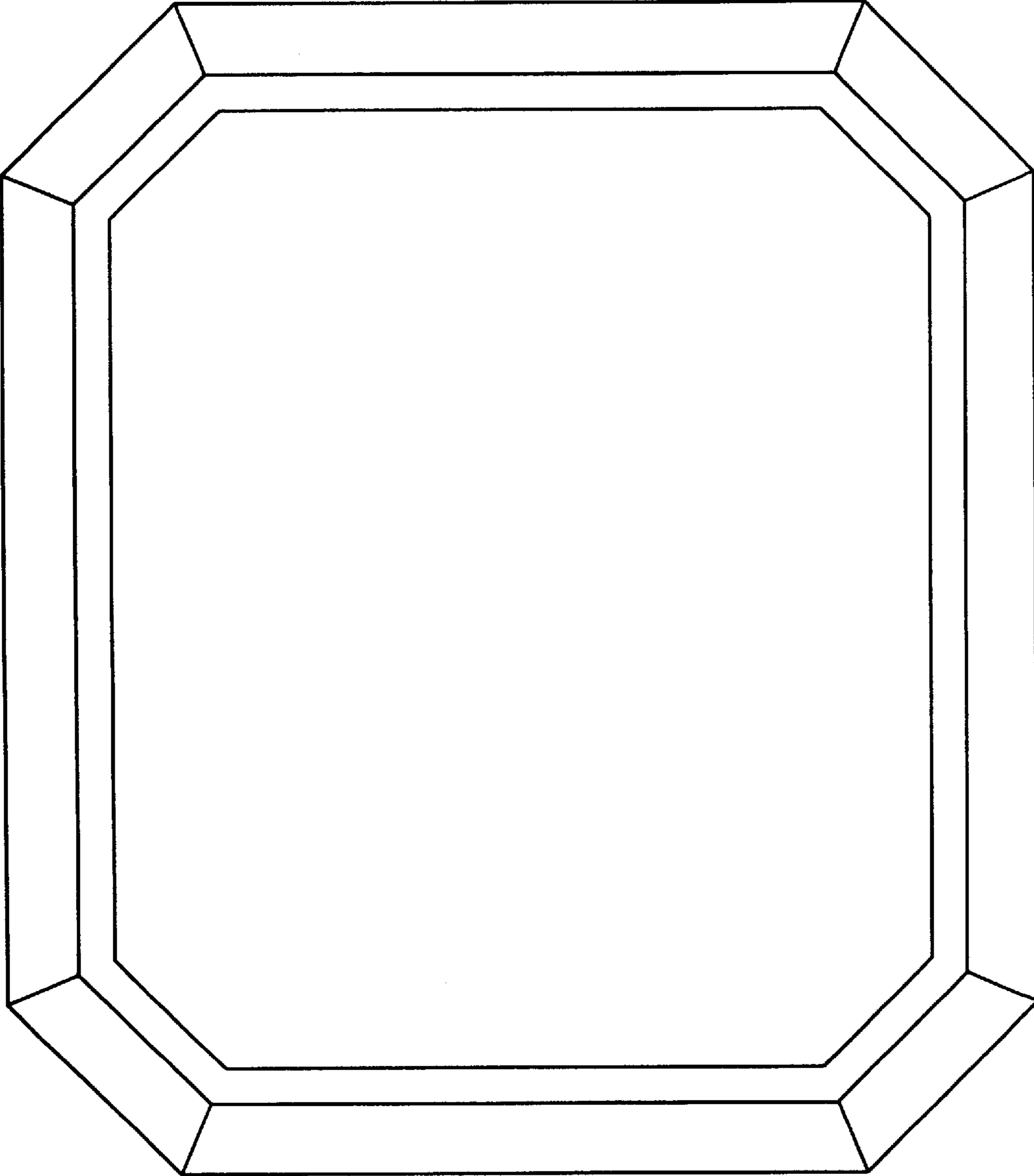


FIG.3

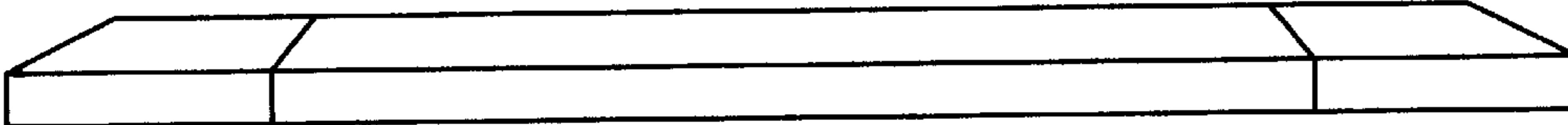


FIG.5

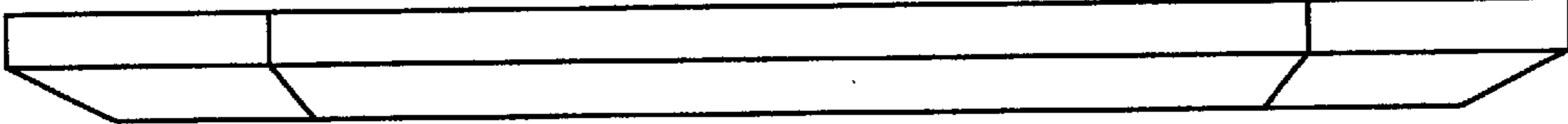


FIG.4

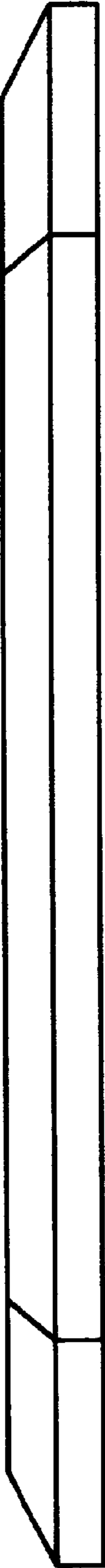


FIG. 6

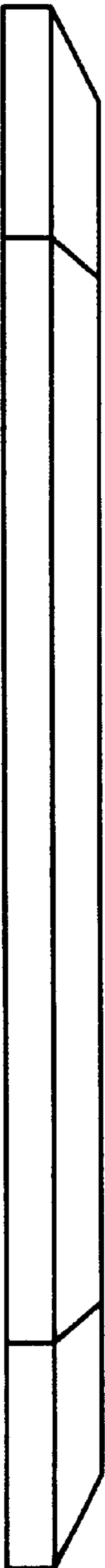


FIG. 7