



US00D505549S

(12) **United States Design Patent**  
**Hosking**

(10) **Patent No.:** **US D505,549 S**

(45) **Date of Patent:** **\*\* May 31, 2005**

(54) **TOOLBOX**

D470,658 S \* 2/2003 Chunn et al. .... D3/282  
D471,360 S \* 3/2003 Huang ..... D3/282

(75) Inventor: **Peter John Hosking**, Victoria (AU)

\* cited by examiner

(73) Assignee: **GMCA Pty. Ltd.**, Campbellfield (AU)

*Primary Examiner*—Philip S. Hyder

(\*\*) Term: **14 Years**

(74) *Attorney, Agent, or Firm*—Westman, Champlin & Kelly, P.A.

(21) Appl. No.: **29/191,354**

(57) **CLAIM**

(22) Filed: **Oct. 6, 2003**

The ornamental design for a toolbox, as shown and described.

(30) **Foreign Application Priority Data**

**DESCRIPTION**

Apr. 7, 2003 (AU) ..... 1179/2003

(51) **LOC (7) Cl.** ..... **03-01**

(52) **U.S. Cl.** ..... **D3/282; D3/905**

(58) **Field of Search** ..... D3/273, 276, 281,  
D3/282, 294, 295, 905; 206/349, 372, 373,  
378; 220/752; 312/902

FIG. 1 is a bottom perspective view;  
FIG. 2 is a perspective view of the toolbox in the open position;  
FIG. 3 is a front perspective view;  
FIG. 4 is a top view;  
FIG. 5 is a bottom view;  
FIG. 6 is a front view;  
FIG. 7 is a rear view;  
FIG. 8 is a left side view; and,  
FIG. 9 is a right side view.

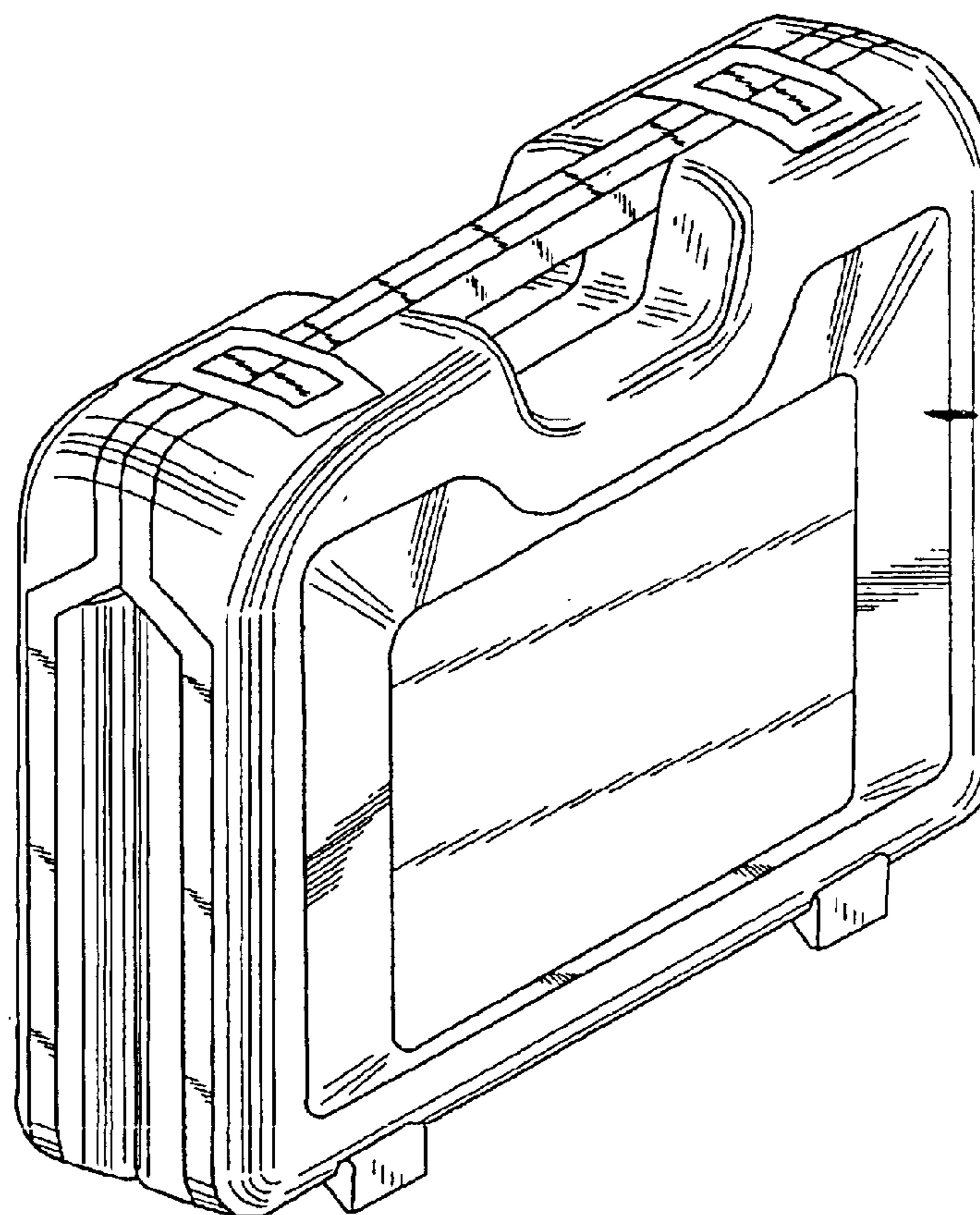
(56) **References Cited**

**U.S. PATENT DOCUMENTS**

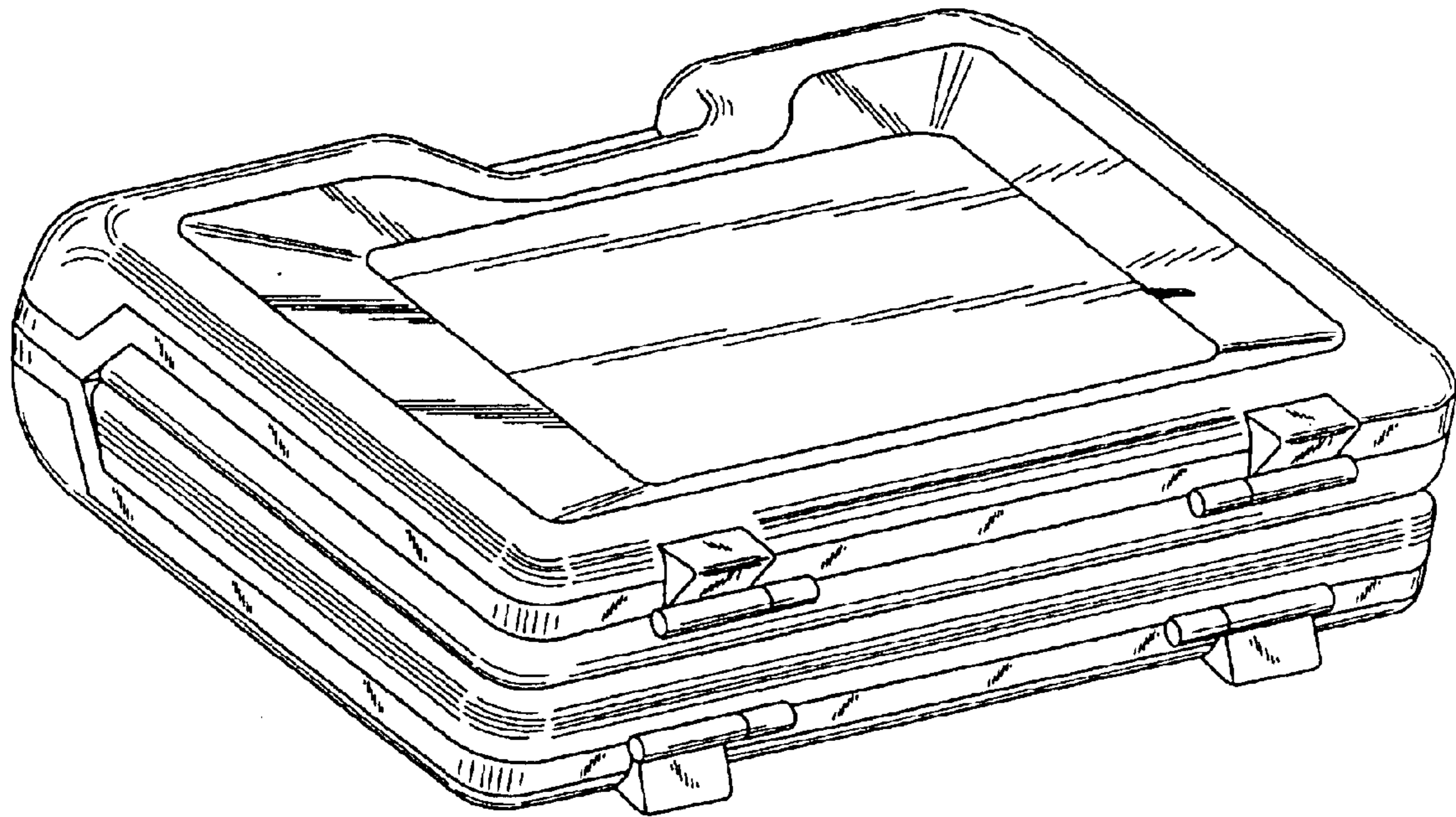
D343,063 S \* 1/1994 Chen ..... D3/282  
D358,257 S \* 5/1995 Sidabras et al. .... D3/282  
D406,192 S \* 3/1999 Schurman ..... D3/282  
D412,397 S \* 8/1999 Liu ..... D3/282  
D413,440 S \* 9/1999 Schurman ..... D3/282  
D426,705 S \* 6/2000 Fang ..... D3/282  
D459,074 S \* 6/2002 Eckmann ..... D3/282

Broken line disclosures as they are used herein are utilized to indicate the boundaries of the claimed subject matter and form no part of the claimed design.

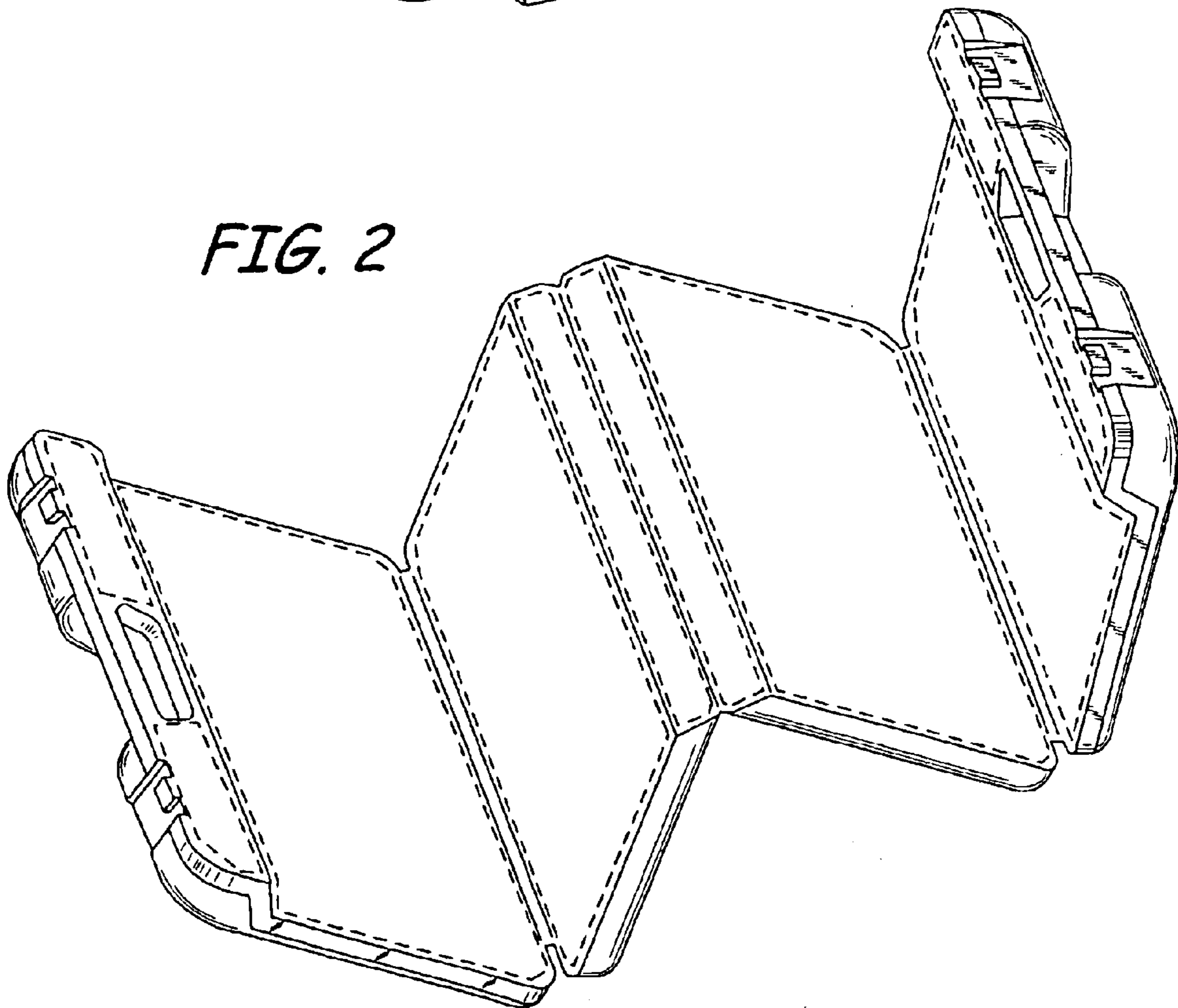
**1 Claim, 3 Drawing Sheets**

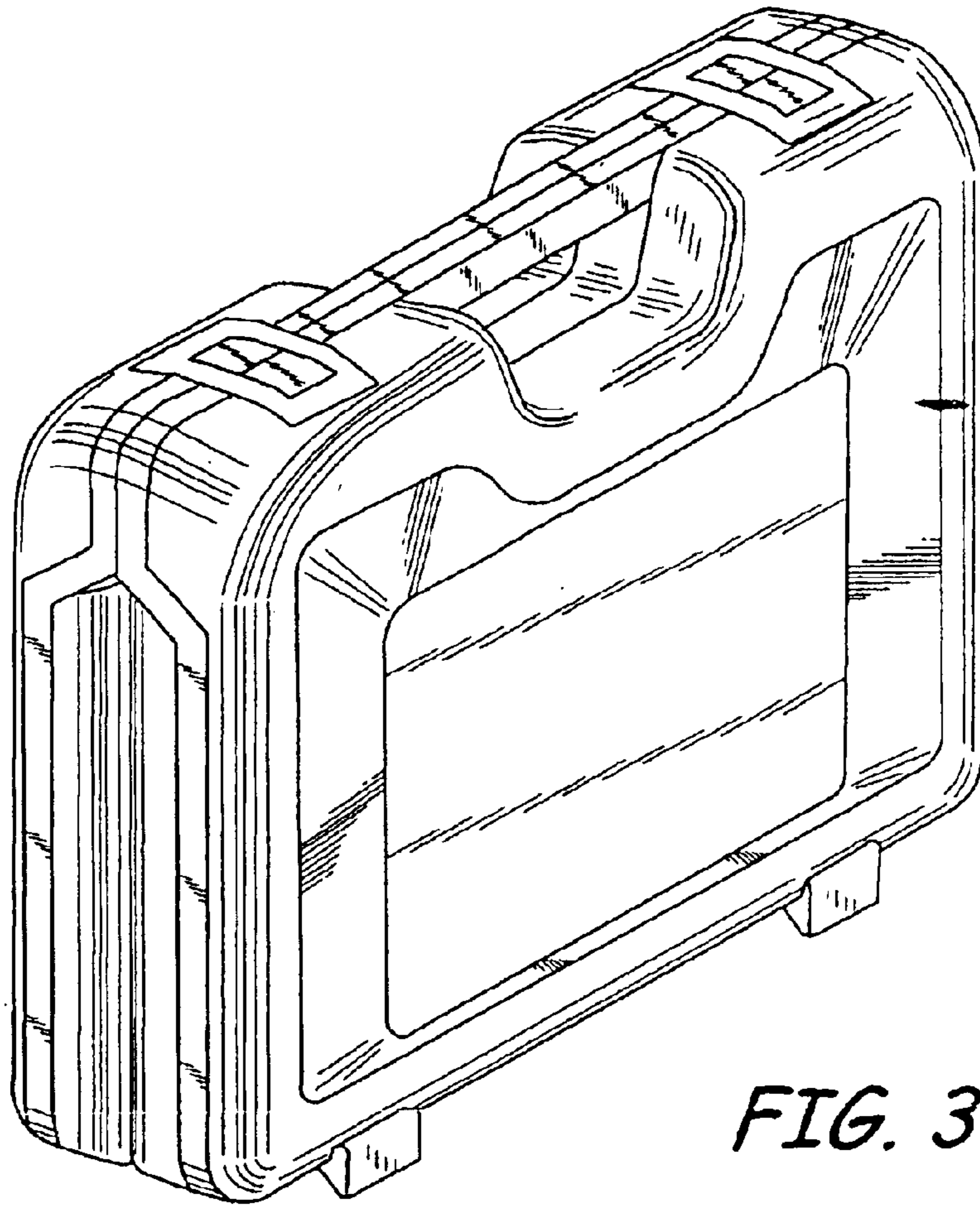


*FIG. 1*

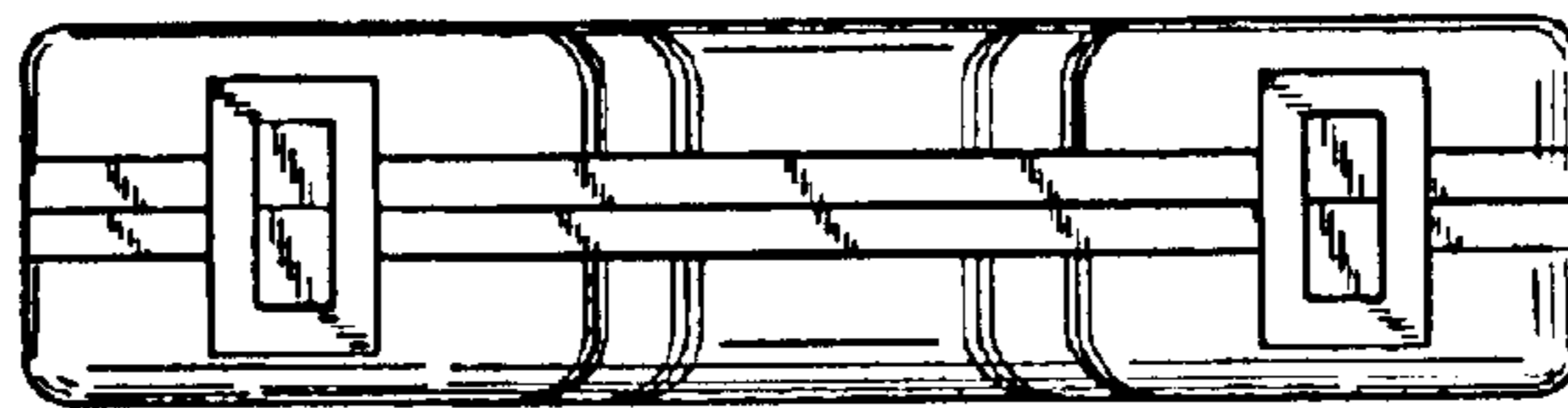


*FIG. 2*

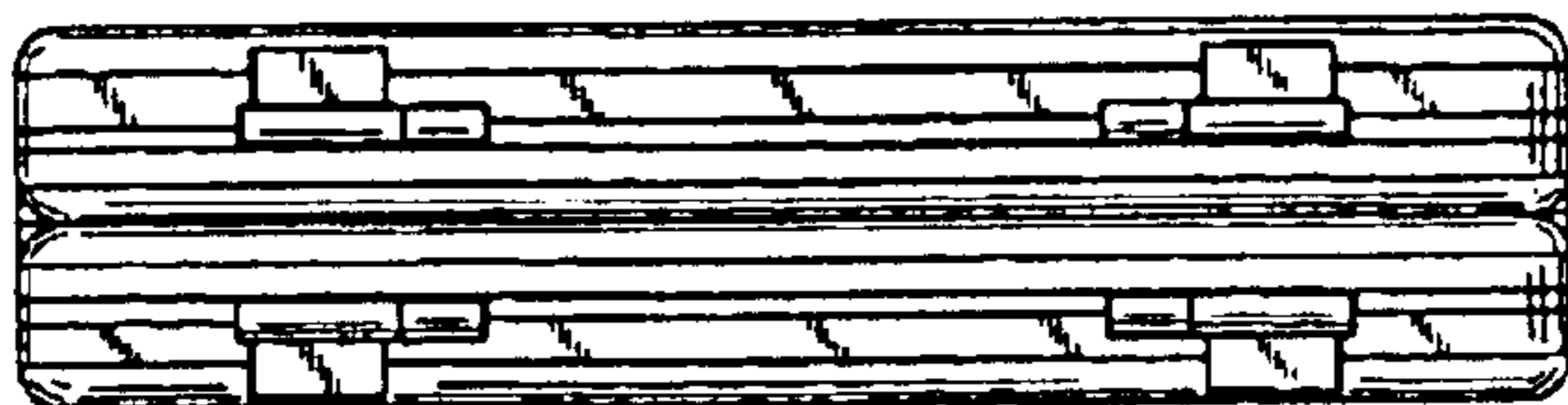




*FIG. 3*

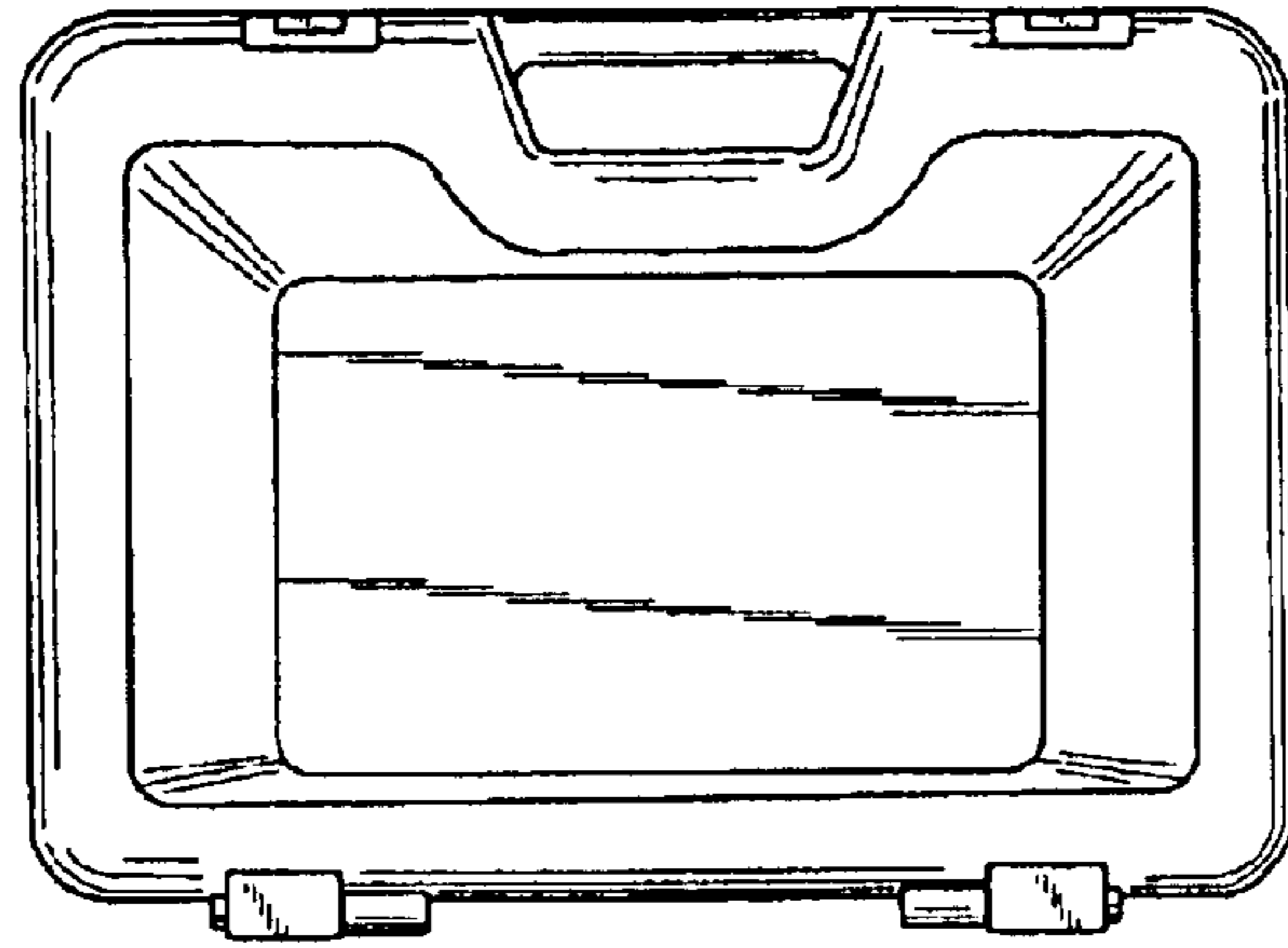


*FIG. 4*

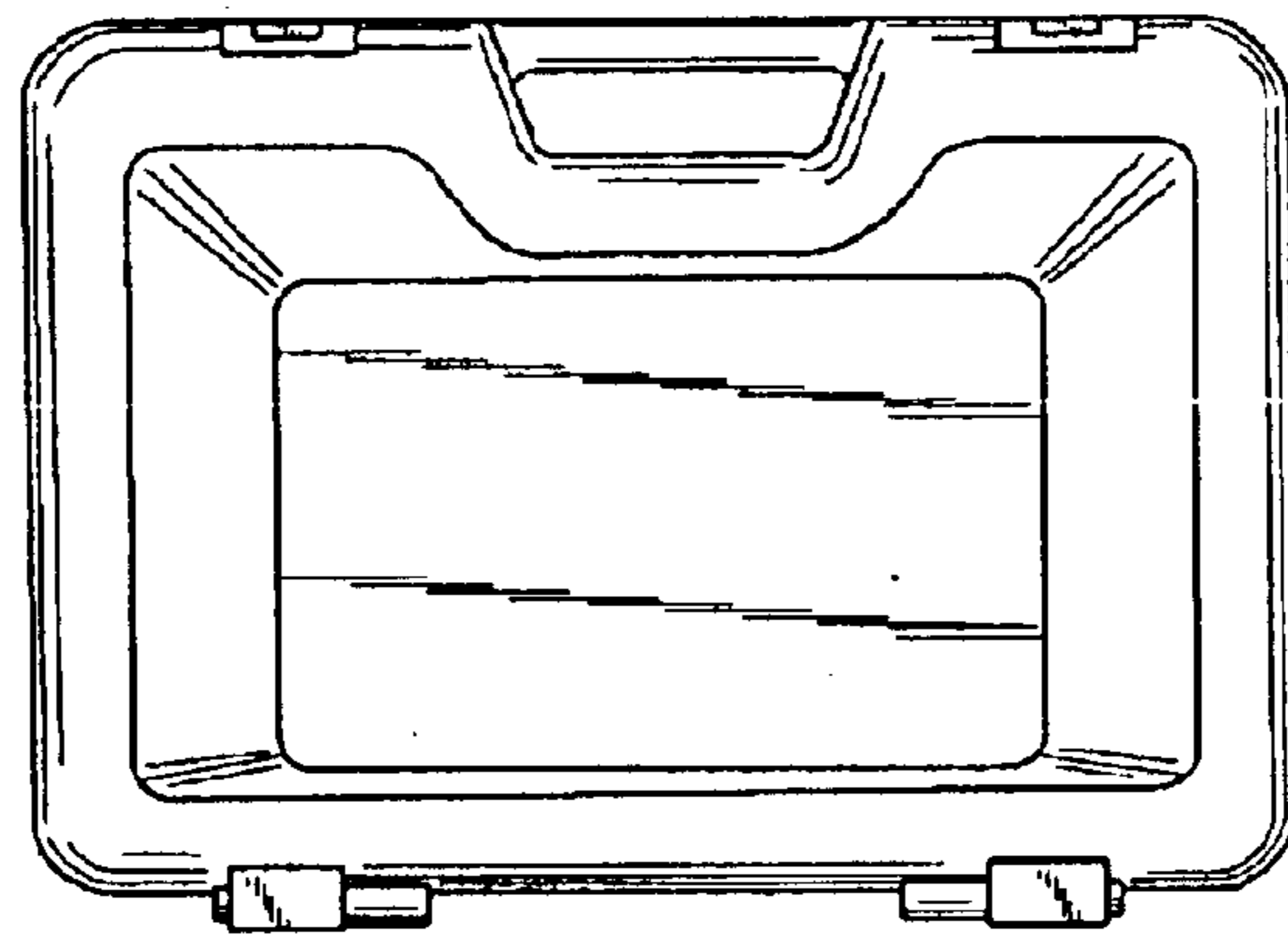


*FIG. 5*

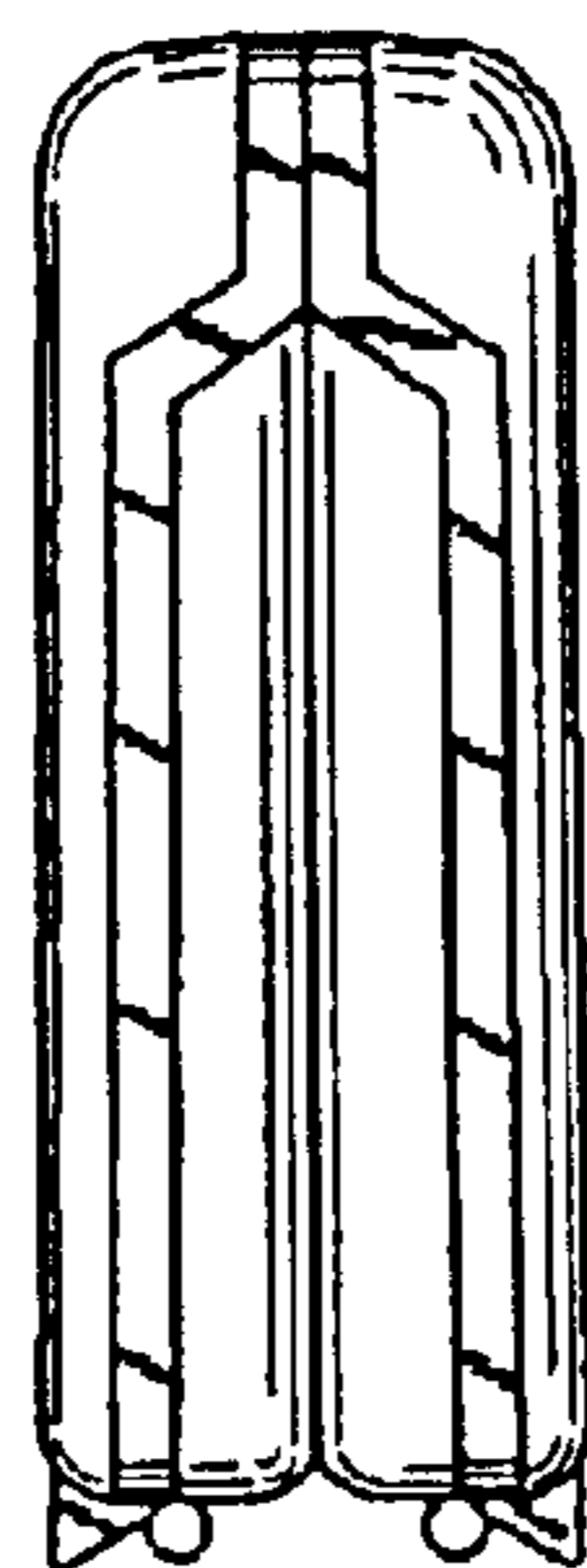




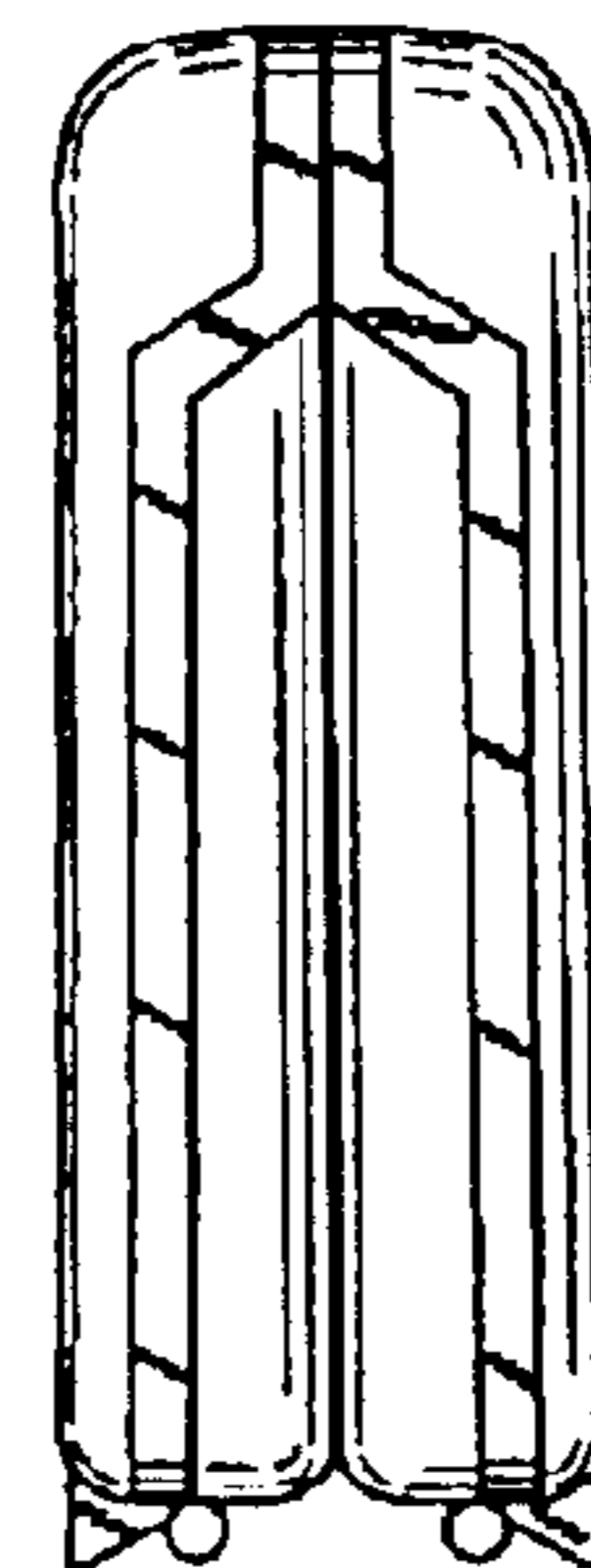
*FIG. 6*



*FIG. 7*



*FIG. 8*



*FIG. 9*