

US00D505548S

(12) **United States Design Patent**
Yang

(10) **Patent No.: US D505,548 S**

(45) **Date of Patent: ** May 31, 2005**

(54) **HARDWARE BOX**

D471,358 S * 3/2003 Yang D3/276
D471,359 S * 3/2003 Yang D3/276

(75) Inventor: **Qinghao Yang**, Nassau (BS)

* cited by examiner

(73) Assignee: **Global Industries Holdings Ltd.**, New Providence (BS)

Primary Examiner—Philip S. Hyder

(**) Term: **14 Years**

(74) *Attorney, Agent, or Firm*—Leon I. Edelson; Levenfeld Pearlstein

(21) Appl. No.: **29/186,534**

(57) **CLAIM**

(22) Filed: **Jul. 16, 2003**

The ornamental design for a hardware box, as shown and described.

(51) **LOC (7) Cl.** **03-01**

DESCRIPTION

(52) **U.S. Cl.** **D3/282; D3/295; D3/905**

(58) **Field of Search** D3/273, 274, 276, D3/282, 283, 294, 295, 296, 905; 206/349, 372, 373, 379; 312/902

FIG. 1 is a perspective view of a hardware box showing our new design thereof;

FIG. 2 is a front elevational view thereof;

FIG. 3 is a rear elevational view thereof;

FIG. 4 is a left side elevational view thereof;

FIG. 5 is a right side elevational view thereof;

FIG. 6 is a top plan view thereof; and

FIG. 7 is a bottom plan view thereof; and,

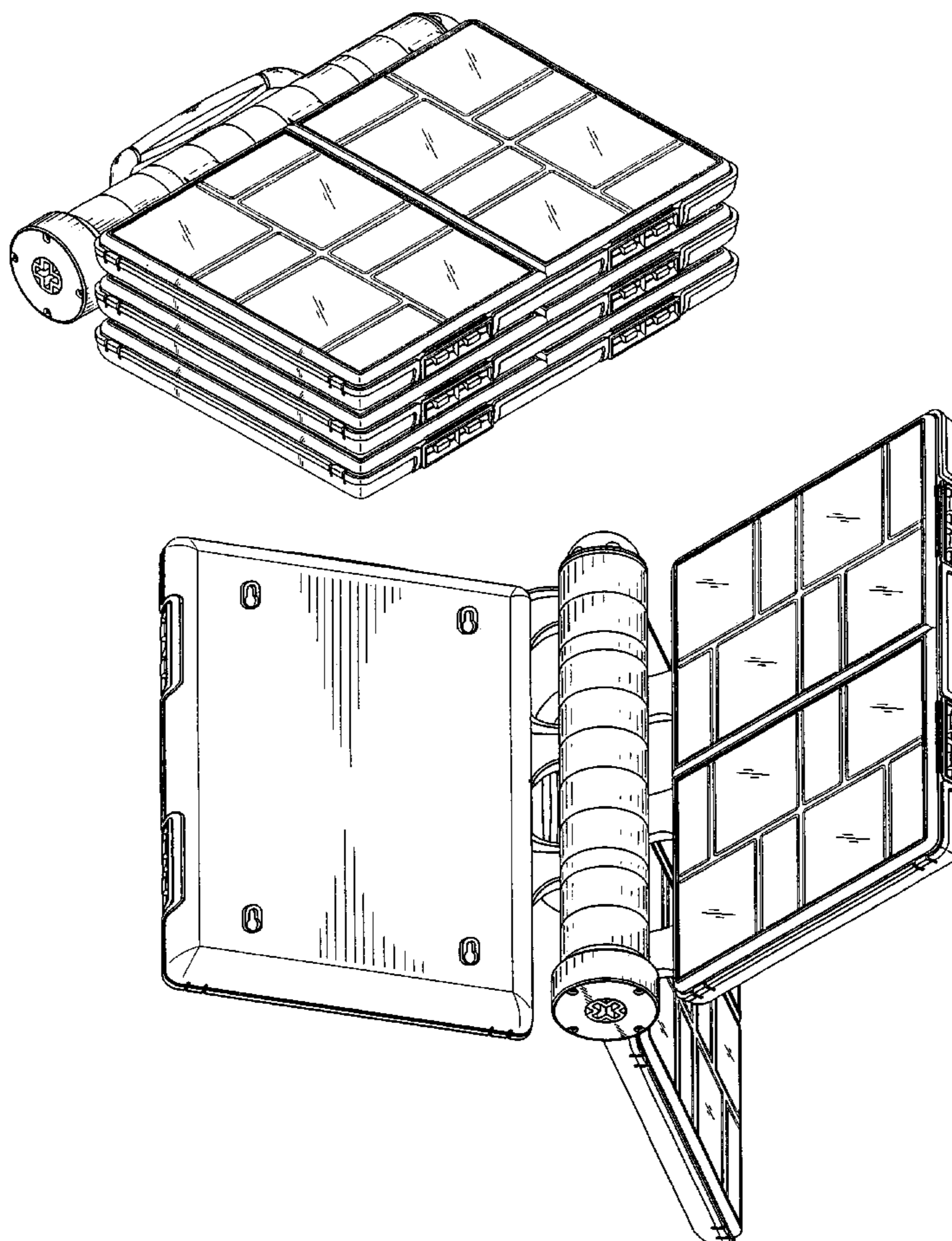
FIG. 8 is a perspective view thereof in an expanded configuration.

(56) **References Cited**

U.S. PATENT DOCUMENTS

D315,057 S	*	3/1991	Bridges	D3/295
D317,380 S	*	6/1991	Snyder	D3/295
D427,436 S	*	7/2000	Chan	D3/292
D434,561 S	*	12/2000	Vasudeva	D3/282
D466,296 S	*	12/2002	Hellenberg-Hubar	D3/295
D468,531 S	*	1/2003	Hsu	D3/282

1 Claim, 6 Drawing Sheets



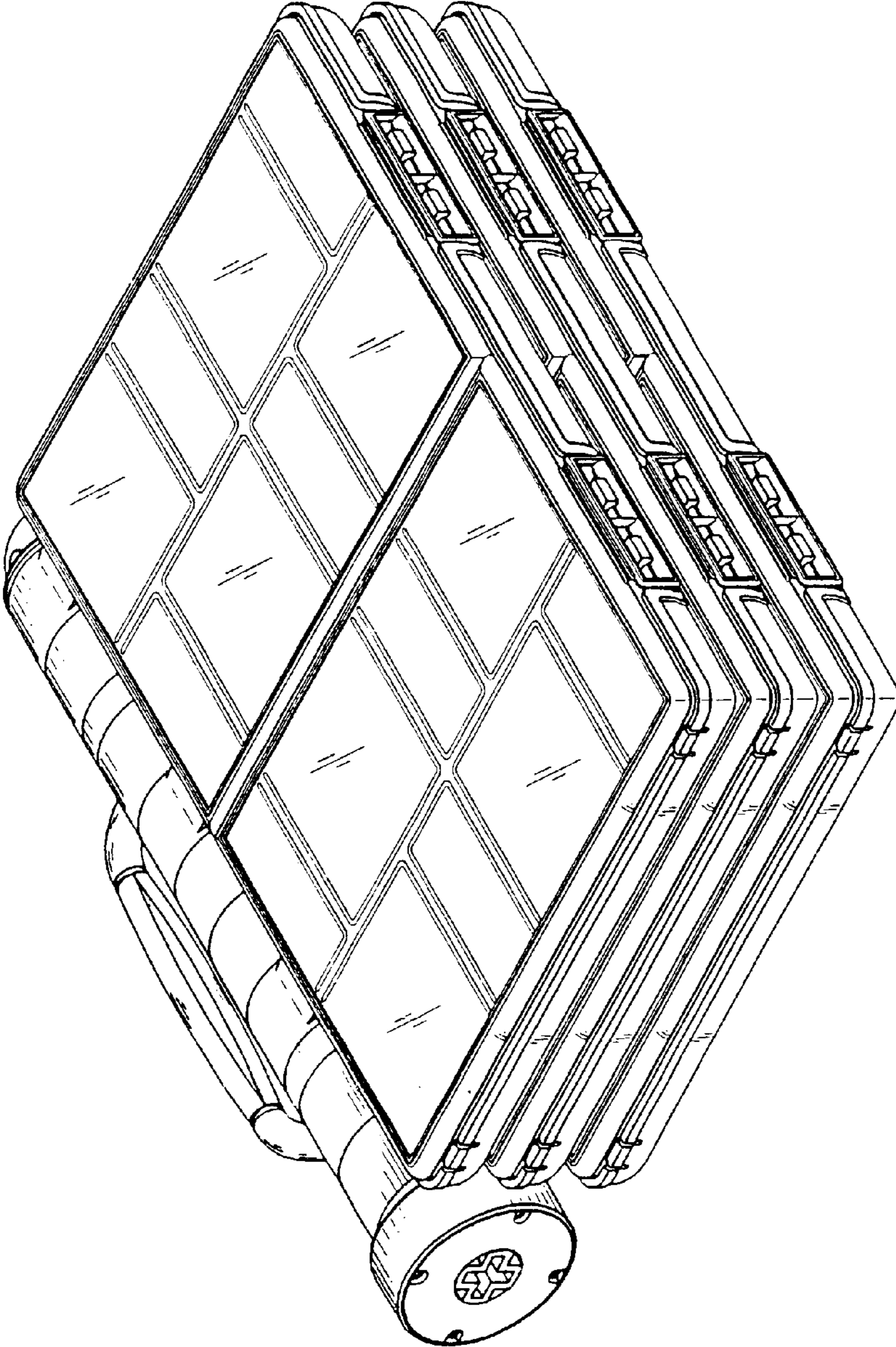


FIG. 1

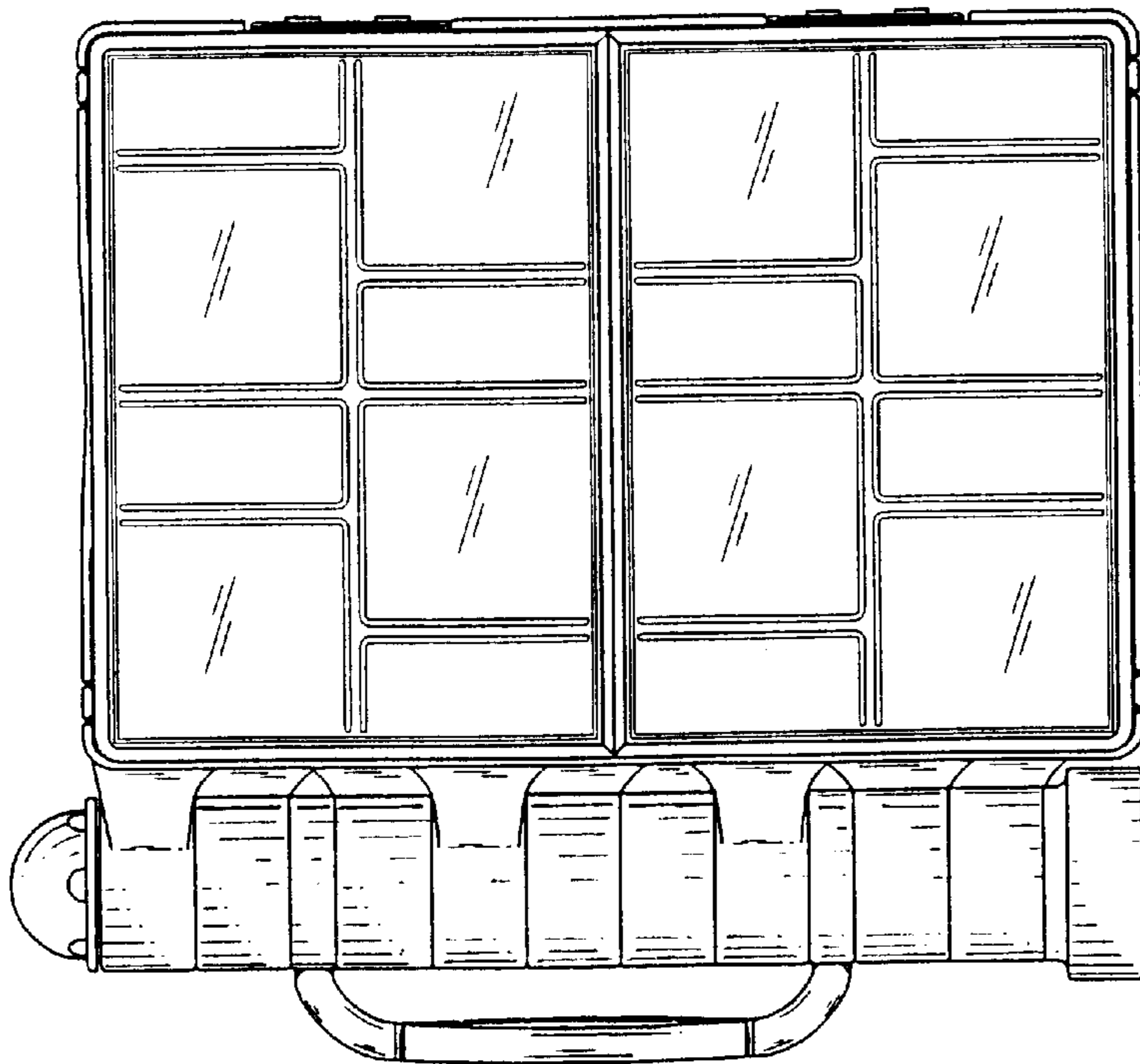


FIG. 2

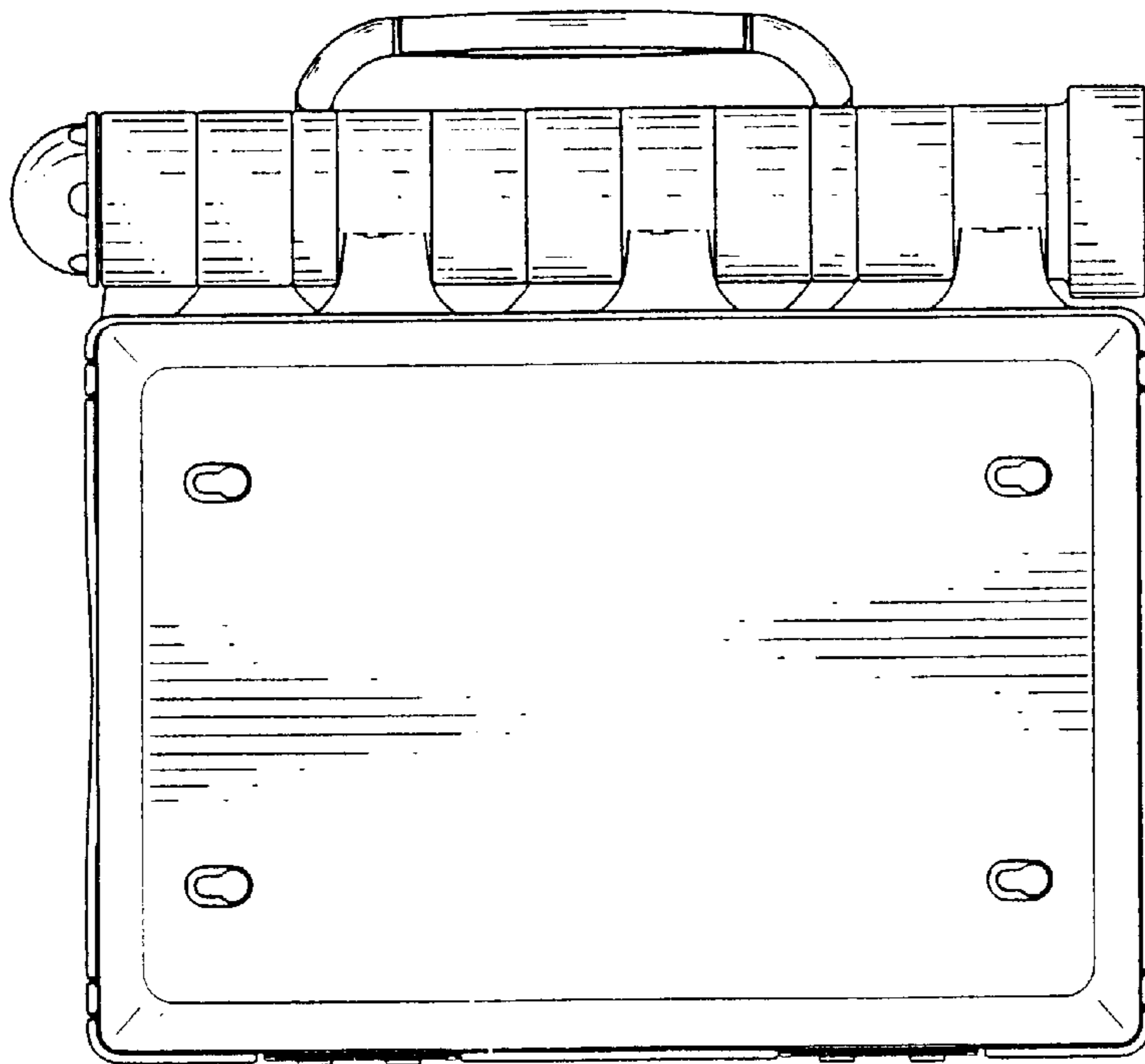


FIG.3

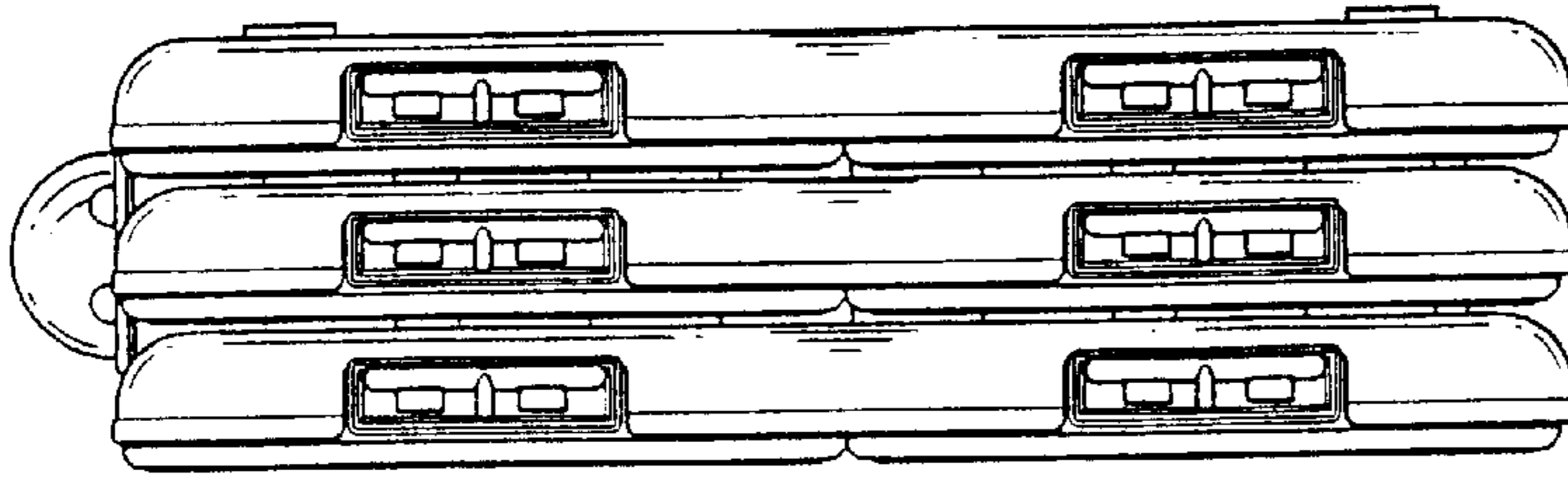


FIG. 5

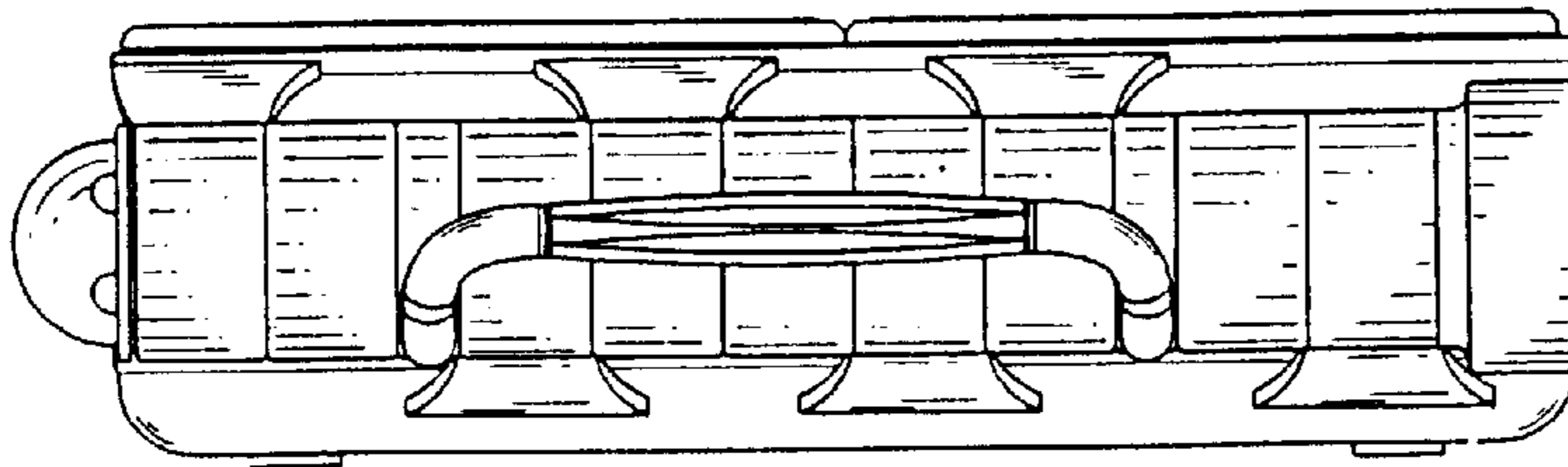


FIG. 4

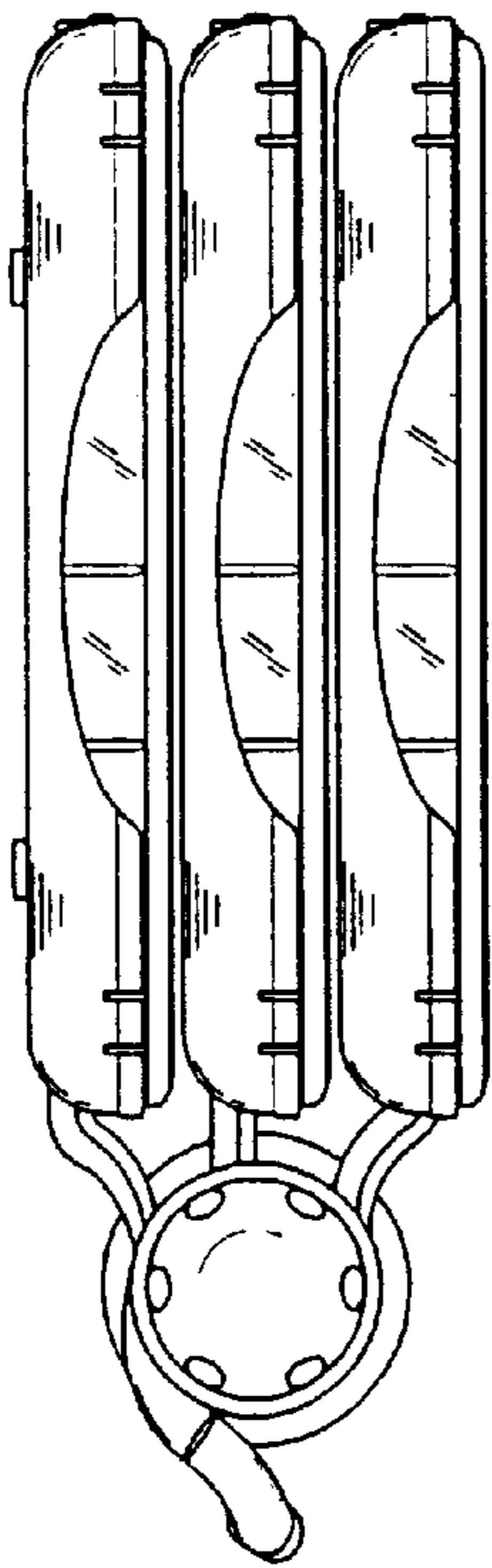


FIG. 6

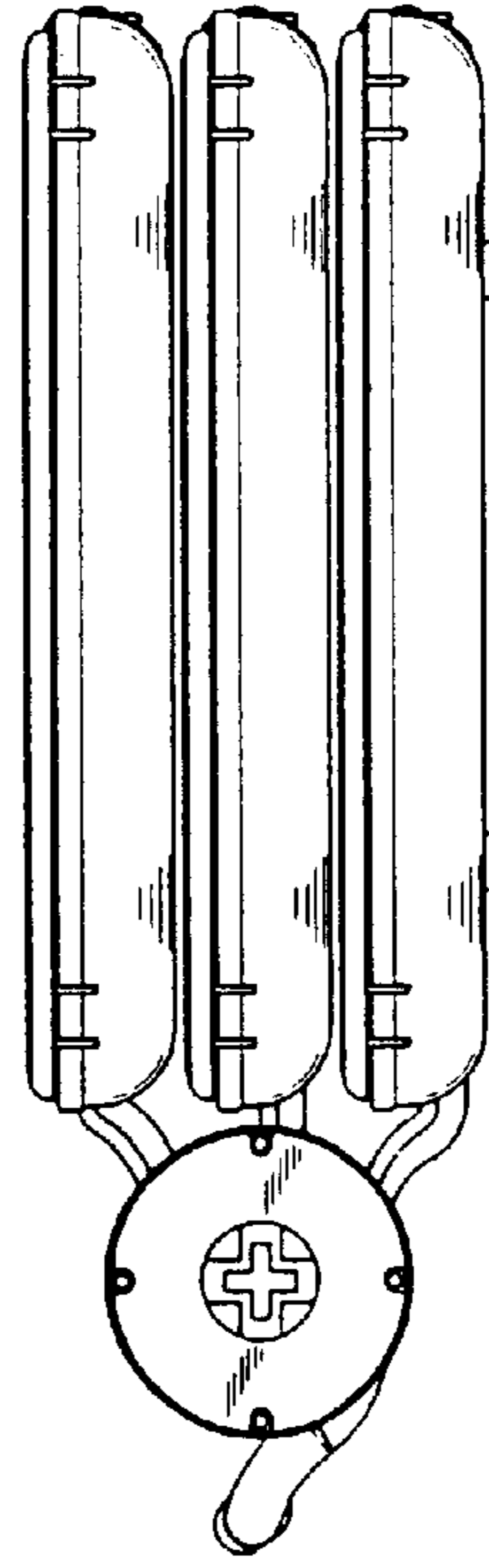


FIG. 7

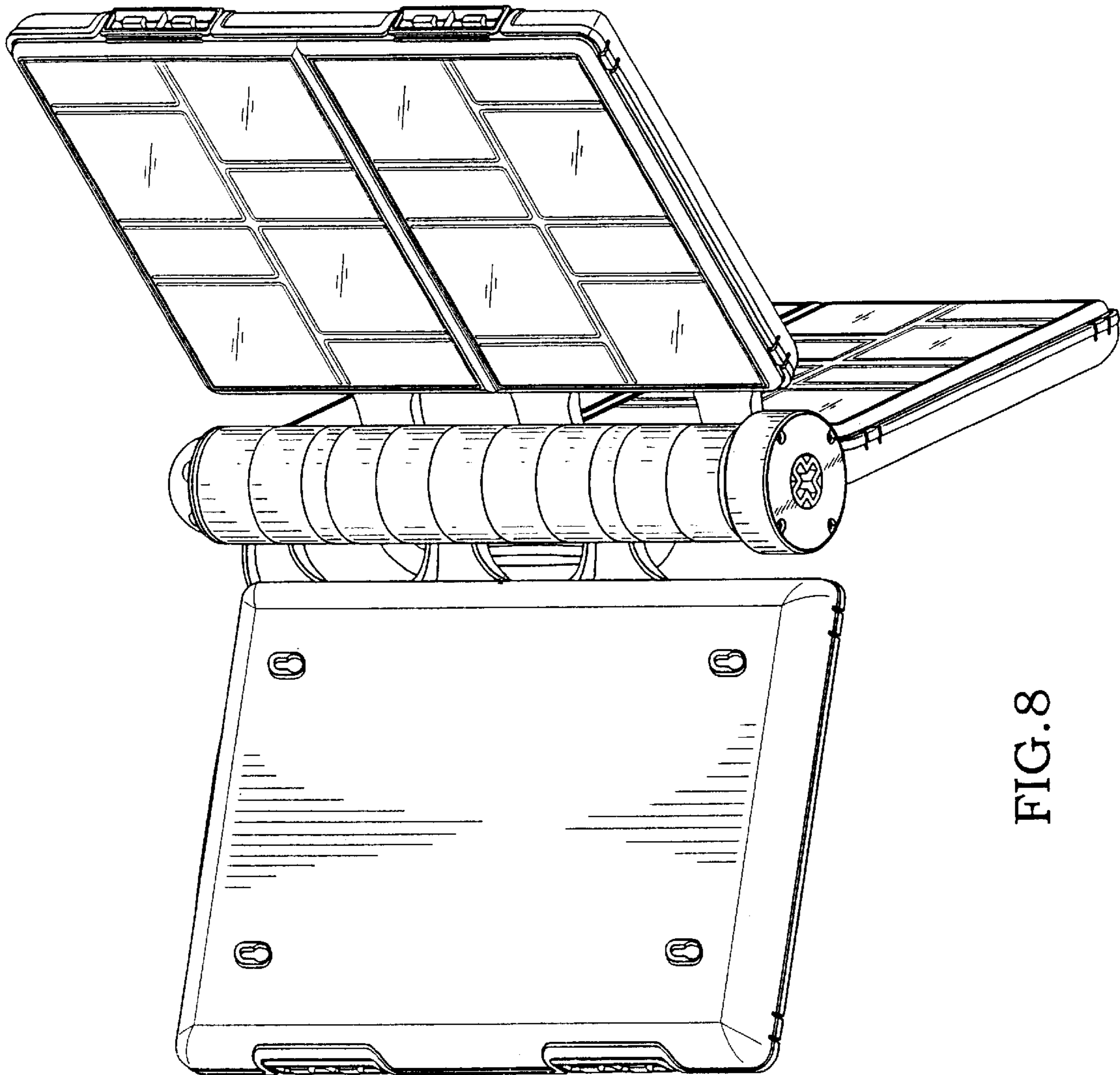


FIG. 8