

US00D505546S

(12) **United States Design Patent** (10) **Patent No.:** **US D505,546 S**
Lau (45) **Date of Patent:** **** May 31, 2005**

(54) **JEWELRY BOX WITH A VIEWER**

(76) Inventor: **Anson W. Lau**, 352 Alahmar Ter., San Gabriel, CA (US) 91775

(**) Term: **14 Years**

(21) Appl. No.: **29/179,054**

(22) Filed: **Apr. 3, 2003**

(51) **LOC (7) Cl.** **03-01**

(52) **U.S. Cl.** **D3/273; D3/294**

(58) **Field of Search** **D3/272, 273, 294, D3/295, 903; D9/418, 423; 206/6.1, 18, 301, 508, 566, 775, 776**

(56) **References Cited**

U.S. PATENT DOCUMENTS

D306,973 S	*	4/1990	Kaplan	D9/423
D332,339 S	*	1/1993	Breiding et al.	D34/28
D332,400 S	*	1/1993	Neff	D9/423
D339,686 S	*	9/1993	Feuer	D3/294
D344,234 S	*	2/1994	Kaplan	D9/423
D387,982 S	*	12/1997	Kaplan	D9/423
D401,146 S	*	11/1998	Srinual	D9/423
D401,850 S	*	12/1998	Srinual	D9/423
D406,233 S	*	3/1999	Kaplan	D9/423
D417,843 S	*	12/1999	Srinual	D9/423
D435,790 S	*	1/2001	Liang	D9/418
D437,779 S	*	2/2001	Randall et al.	D9/418
D444,704 S	*	7/2001	Smouha	D9/423

* cited by examiner

Primary Examiner—Philip S. Hyder

(74) *Attorney, Agent, or Firm*—Marc Karish Sheldon & Mak

(57) **CLAIM**

The ornamental design for the jewelry box with a viewer, as shown and described.

DESCRIPTION

FIG. 1 is a top front perspective view of the jewelry box with a viewer of the present invention;

FIG. 2 is a bottom rear perspective view of the jewelry box of FIG. 1;

FIG. 3 is a top plan view of the jewelry box of FIG. 1;

FIG. 4 is a front elevation view of the jewelry box of FIG. 1;

FIG. 5 is a right side elevation view of the jewelry box of FIG. 1, the left side view being a mirror image of the right side;

FIG. 6 is a bottom plan view of the jewelry box of FIG. 1;

FIG. 7 is a rear elevation view of the jewelry box of FIG. 1;

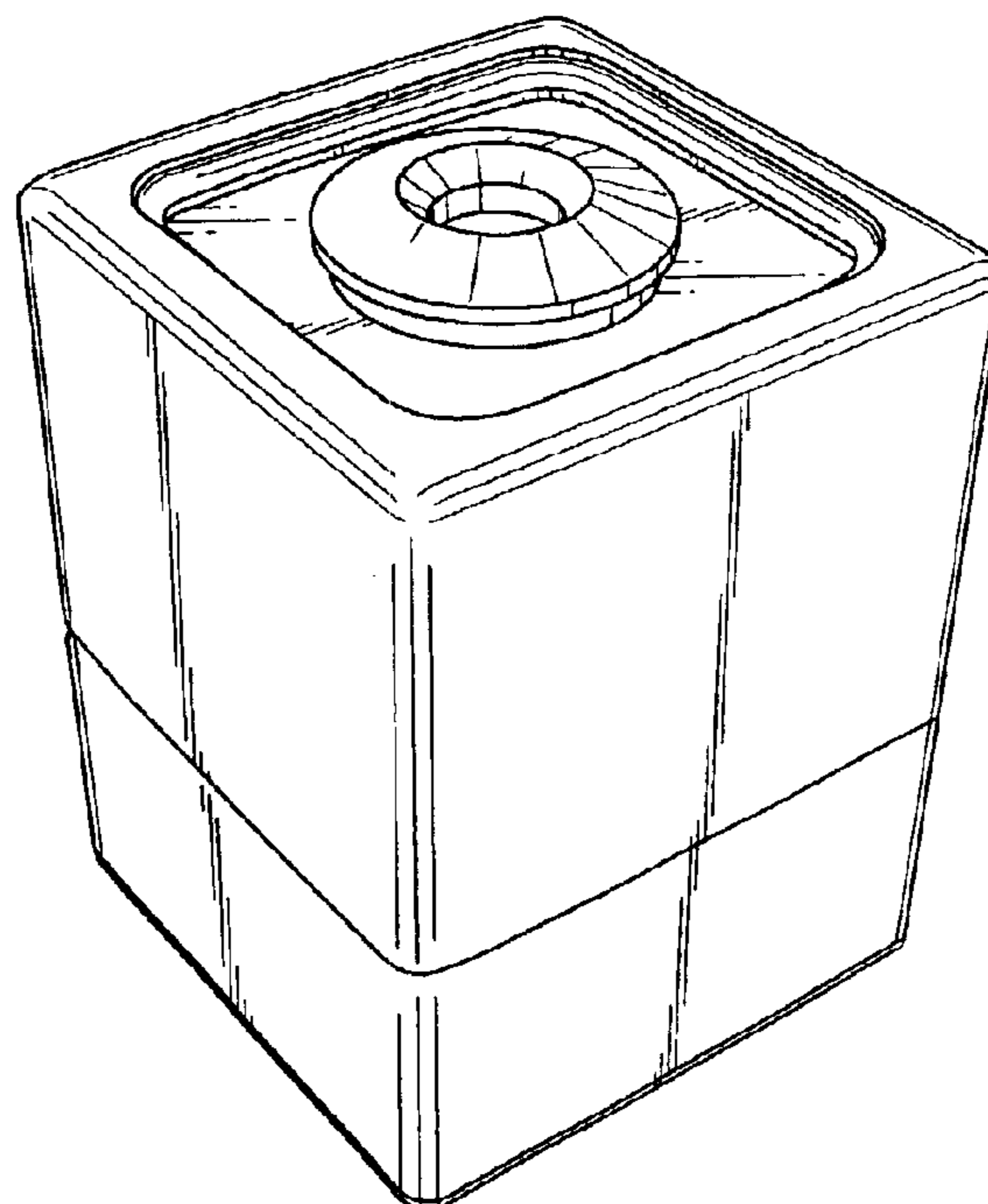
FIG. 8 is a front perspective view of a partially open jewelry box with a viewer according to the present invention;

FIG. 9 is a top front perspective view of a jewelry box with a viewer according a second embodiment of the present invention; and,

FIG. 10 is a bottom rear perspective view of the jewelry box of FIG. 9.

The broken line showing of the interior in FIG. 8 is for illustrative purposes only and forms no part of the claimed design.

1 Claim, 4 Drawing Sheets



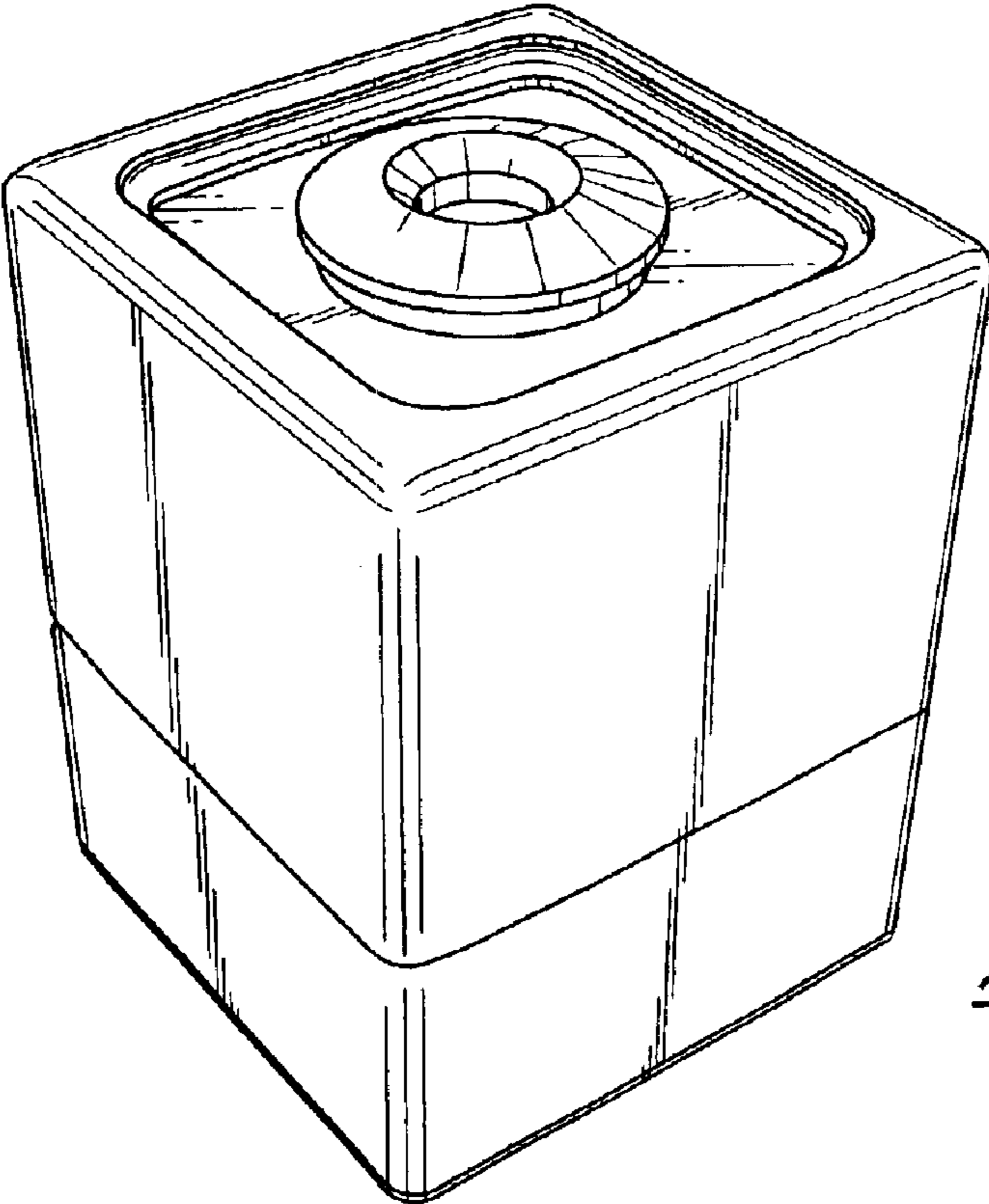


FIG. 1

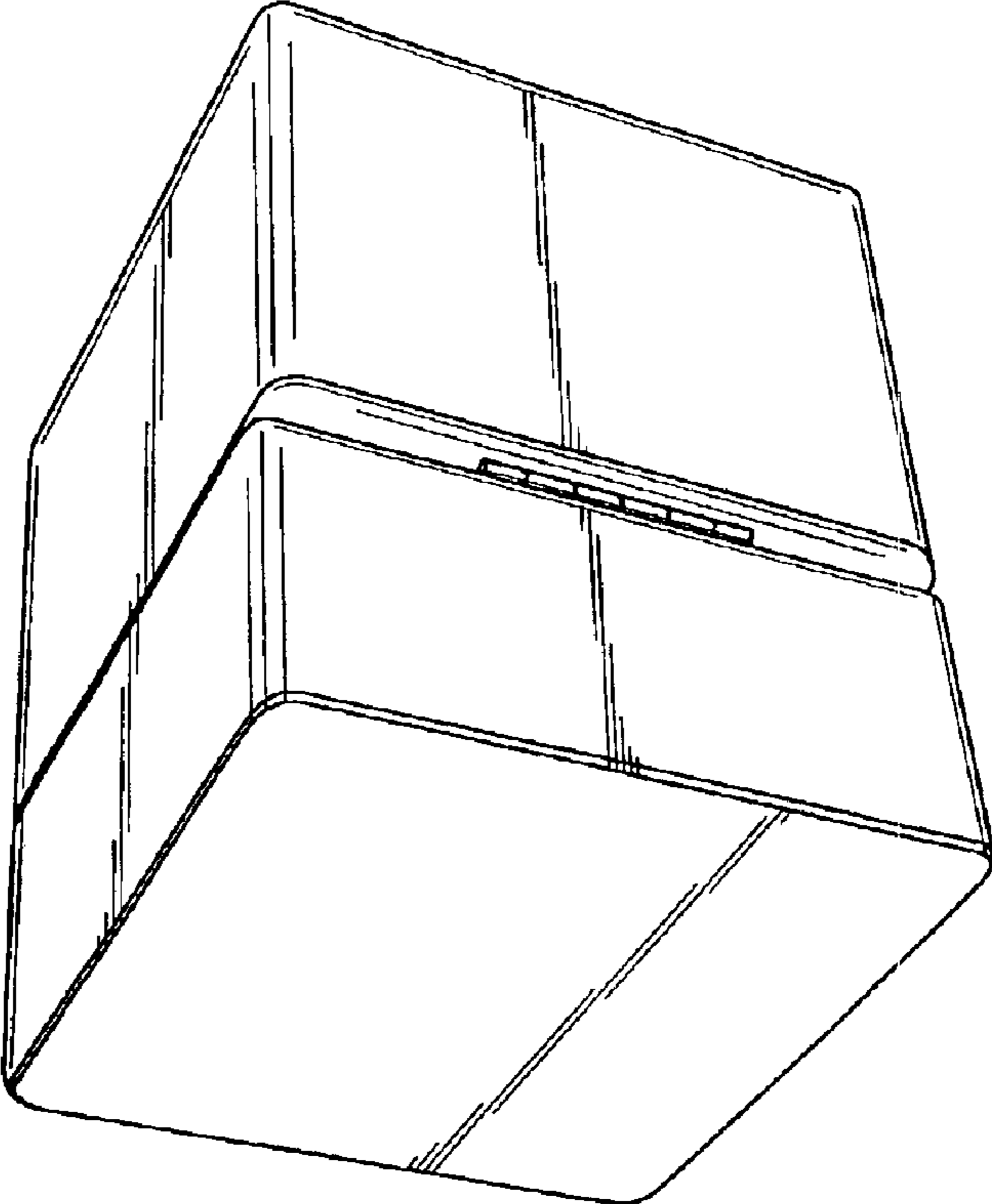


FIG. 2

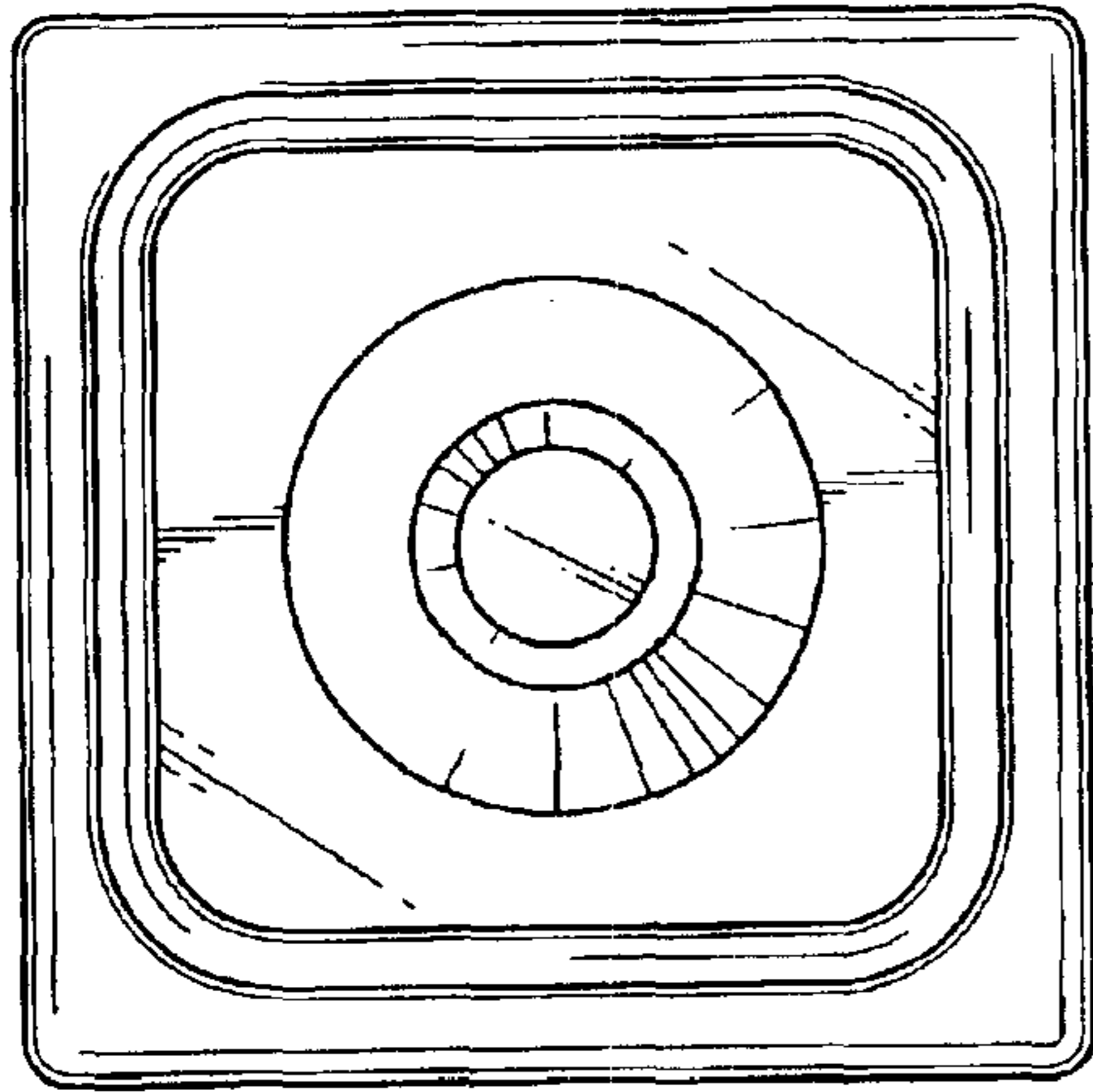


FIG. 3

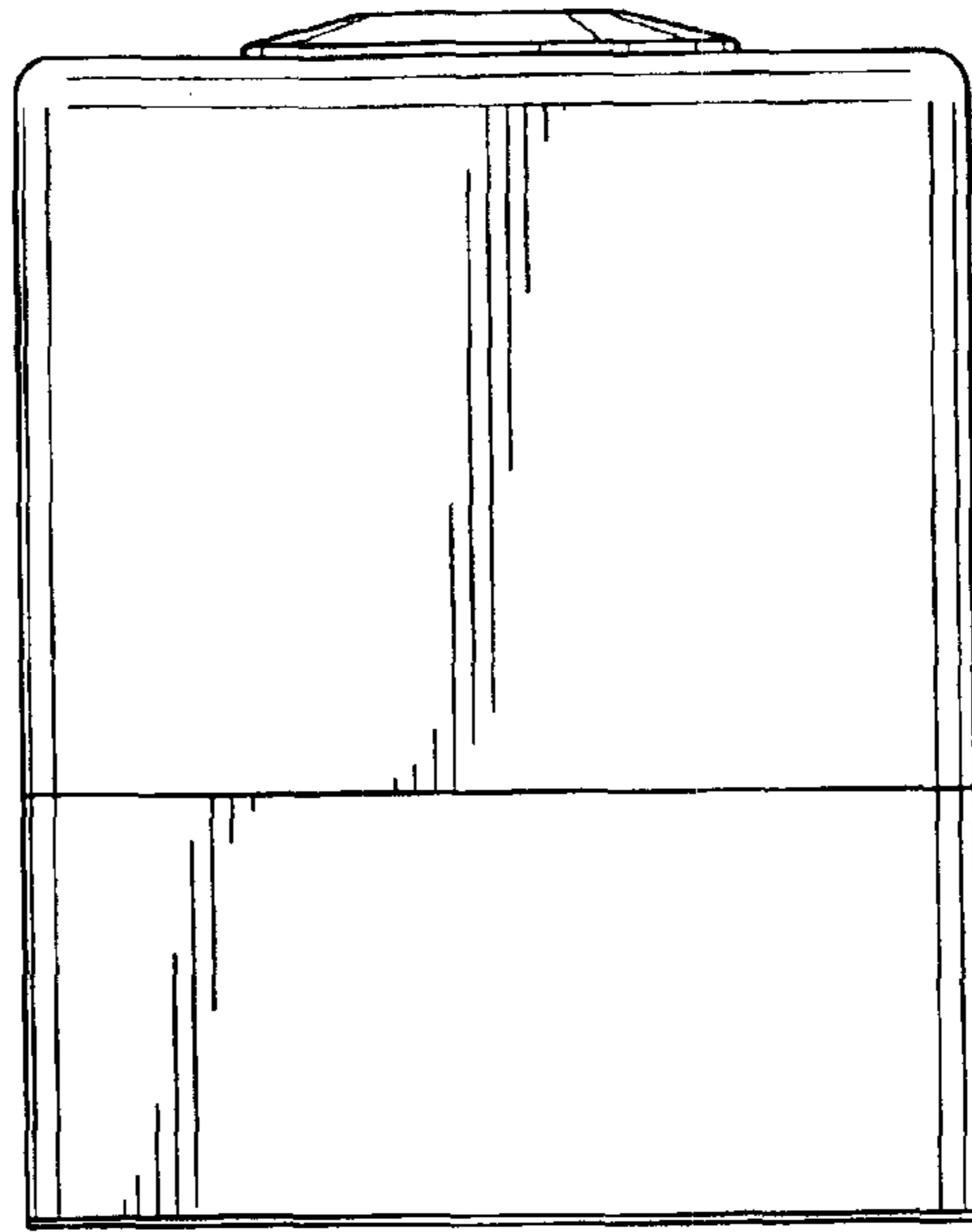


FIG. 4

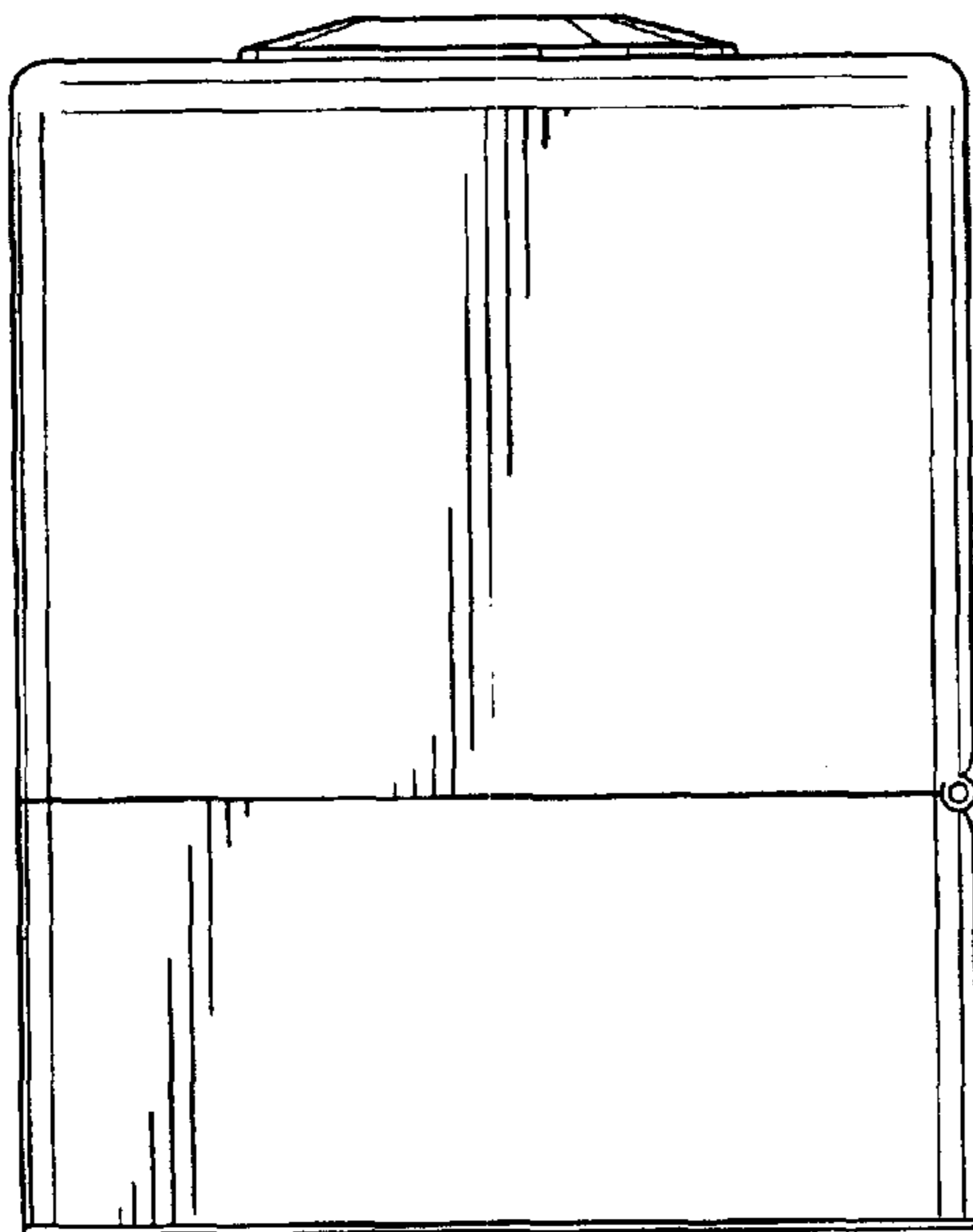


FIG. 5

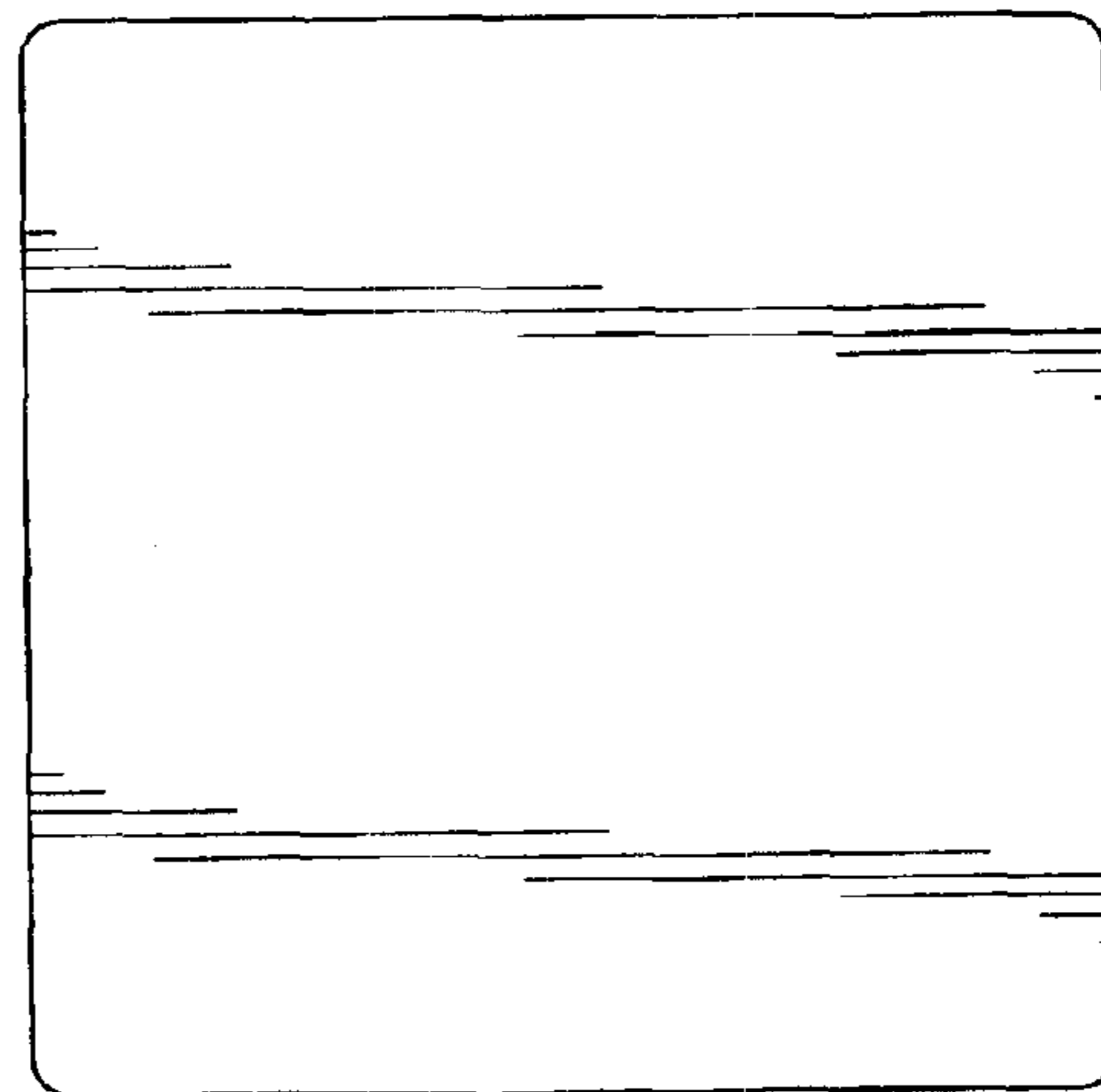


FIG. 6

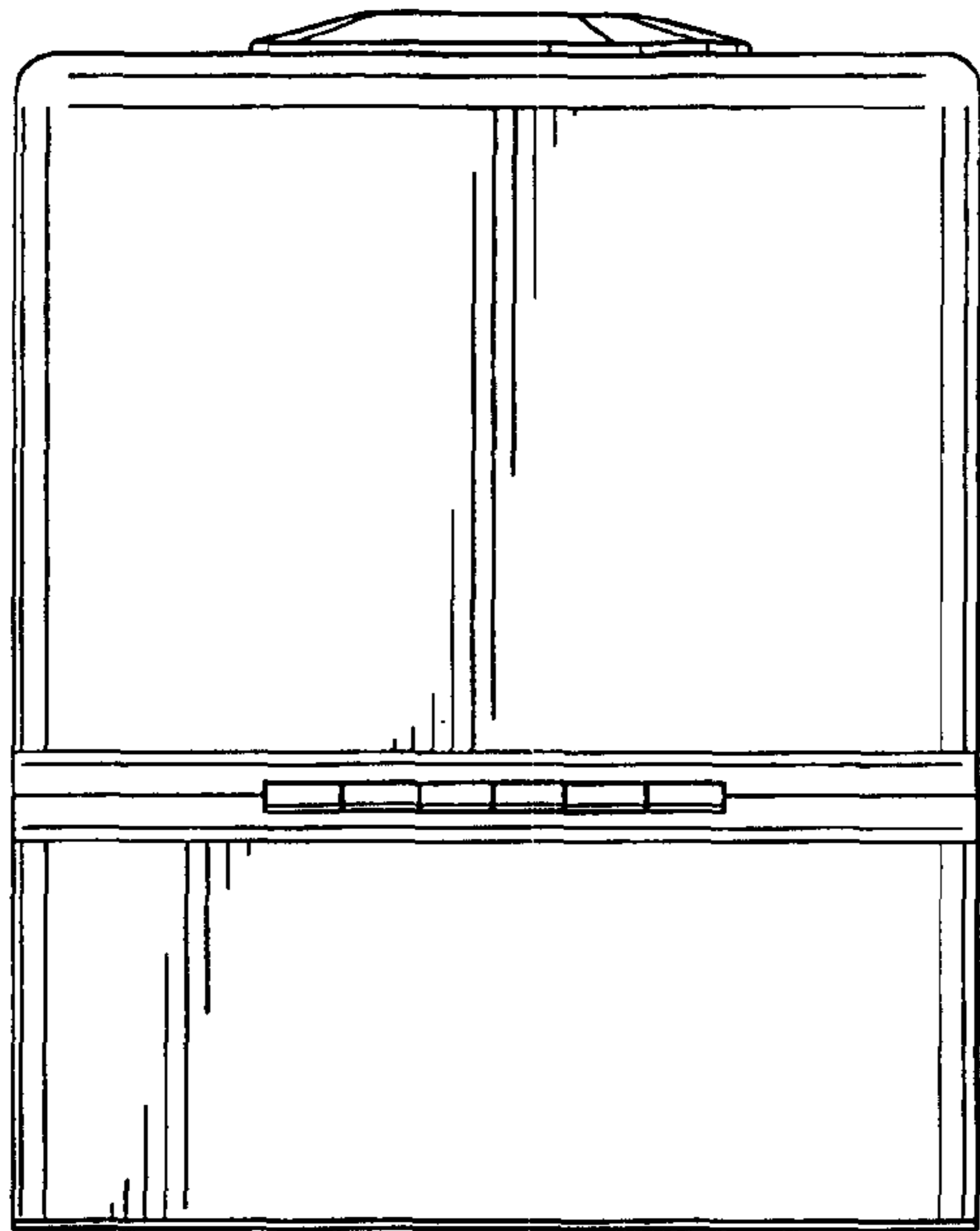


FIG. 7

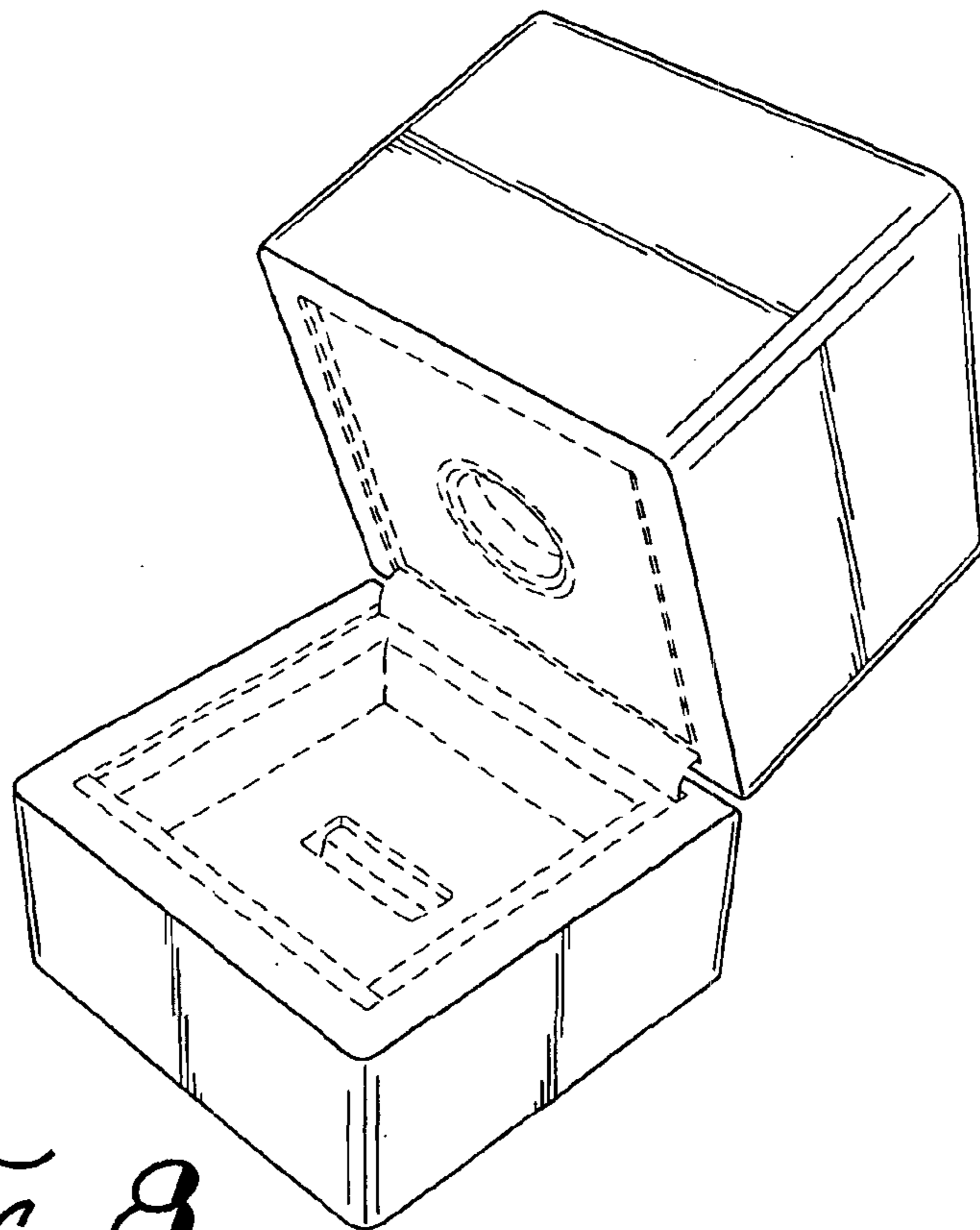


FIG. 8

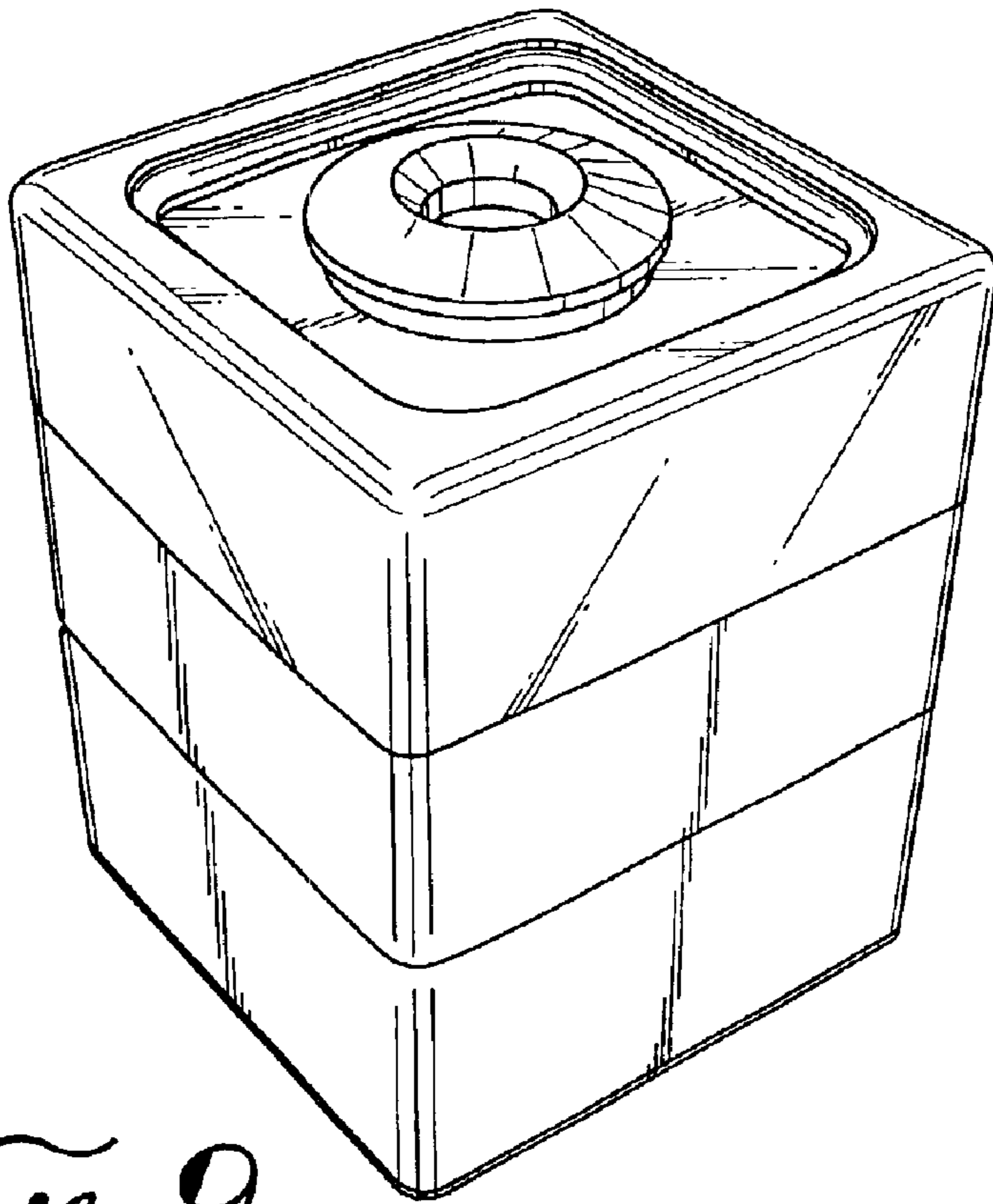


FIG. 9

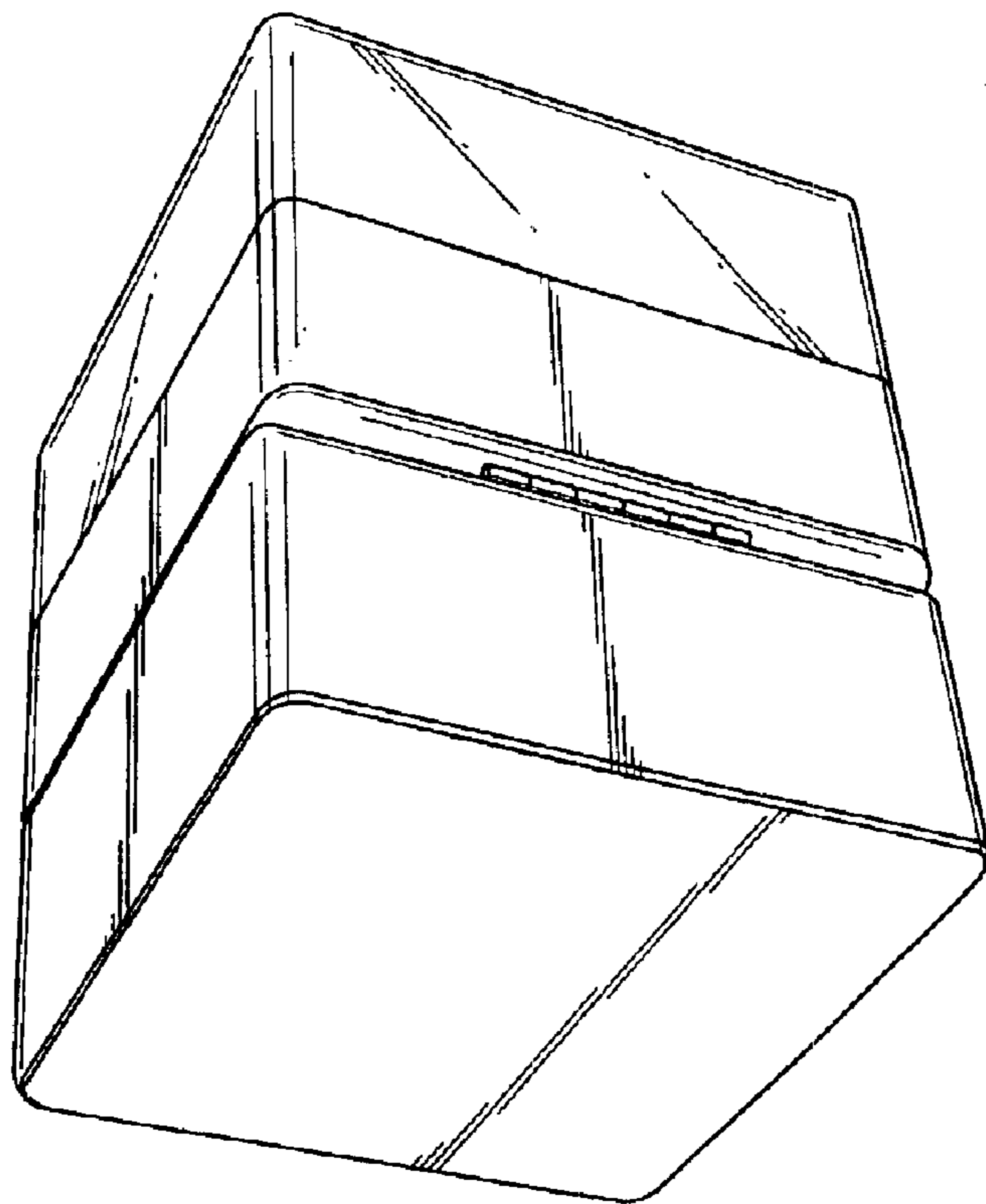


FIG. 10