



US00D505526S

(12) **United States Design Patent**
Tsen

(10) **Patent No.:** **US D505,526 S**

(45) **Date of Patent:** **** May 24, 2005**

(54) **STEAM CLEANER**

(75) **Inventor:** **Samson Tsen, Taipei (TW)**

(73) **Assignee:** **Products of Tomorrow, Inc., Towaco, NJ (US)**

(**) **Term:** **14 Years**

(21) **Appl. No.:** **29/117,753**

(22) **Filed:** **Feb. 1, 2000**

(51) **LOC (7) Cl. 15-05**

(52) **U.S. Cl. D32/21**

(58) **Field of Search** D32/17-18, 21, D32/31; D28/12; 219/222; 15/320-322, 329, 344, 352-353, 327.1, 327.2, 327.3, 327.4, 327.6, 327.7; 38/77.1, 77.5; 68/222; 392/404-405; 601/6

(56) **References Cited**

U.S. PATENT DOCUMENTS

D338,989 S	*	8/1993	Ambrosiano	D32/15
5,749,120 A	*	5/1998	Amoretti	15/339
D399,617 S	*	10/1998	Fujita	D32/21
D417,046 S	*	11/1999	Tsuruha et al.	D32/21
D421,165 S	*	2/2000	Joiner et al.	D32/35
D423,156 S	*	4/2000	Joiner et al.	D32/35
D430,366 S	*	8/2000	Sato et al.	D32/21

D445,973 S	*	7/2001	Chen	D32/21
D452,594 S	*	12/2001	Rosa	D32/21
D471,682 S	*	3/2003	Chen	D32/21

* cited by examiner

Primary Examiner—Ruth McInroy

(74) *Attorney, Agent, or Firm*—Lerner, David, Littenberg, Krumholz & Mentlik, LLP

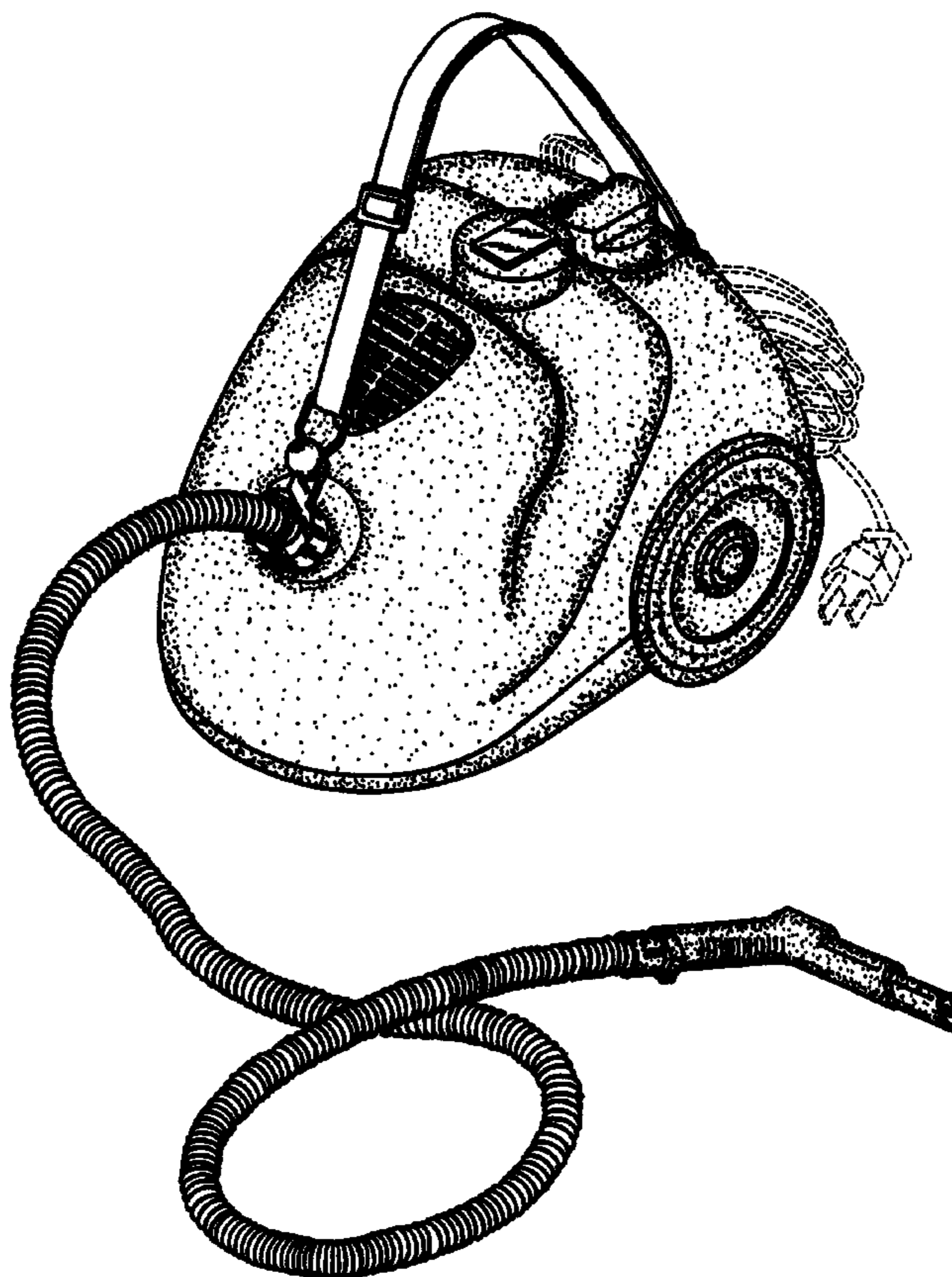
(57) **CLAIM**

The ornamental design for a steam cleaner, as shown and described.

DESCRIPTION

FIG. 1 is a perspective view of a steam cleaner showing my new design;
 FIG. 2 is a top plan view thereof;
 FIG. 3 is a bottom plan view thereof;
 FIG. 4 is a front elevational view thereof;
 FIG. 5 is a rear elevational view thereof;
 FIG. 6 is a left side elevational view thereof;
 FIG. 7 is a right side elevational view thereof; and,
 FIG. 8 is a perspective view thereof, showing the attachments attached thereto.
 The attachments shown in FIG. 8 are omitted from FIGS. 1-7 for clarity of illustration. The cord in FIG. 8 is shown in broken lines, as it does not form part of the design.

1 Claim, 5 Drawing Sheets



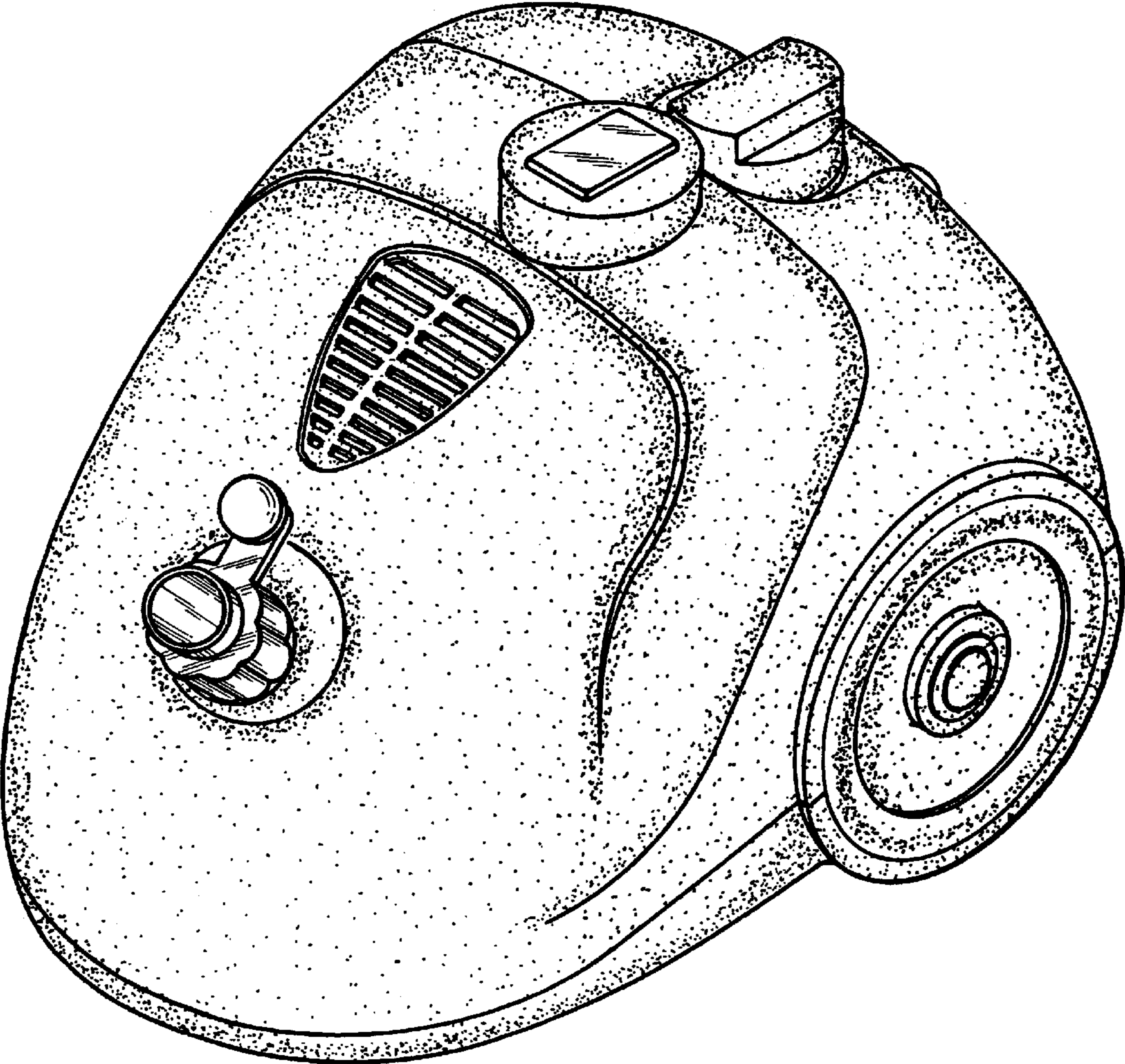


FIG. 1

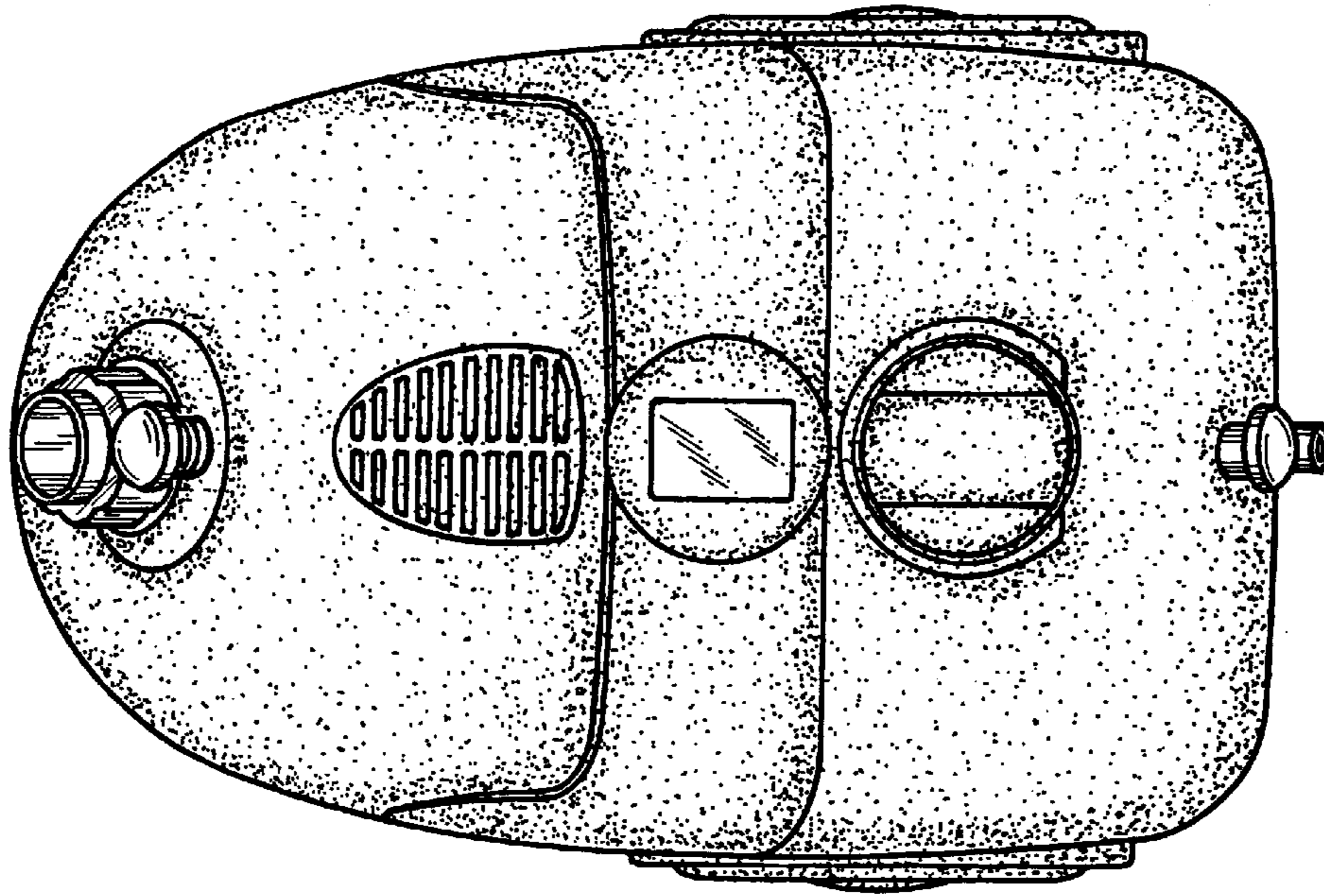


FIG. 2

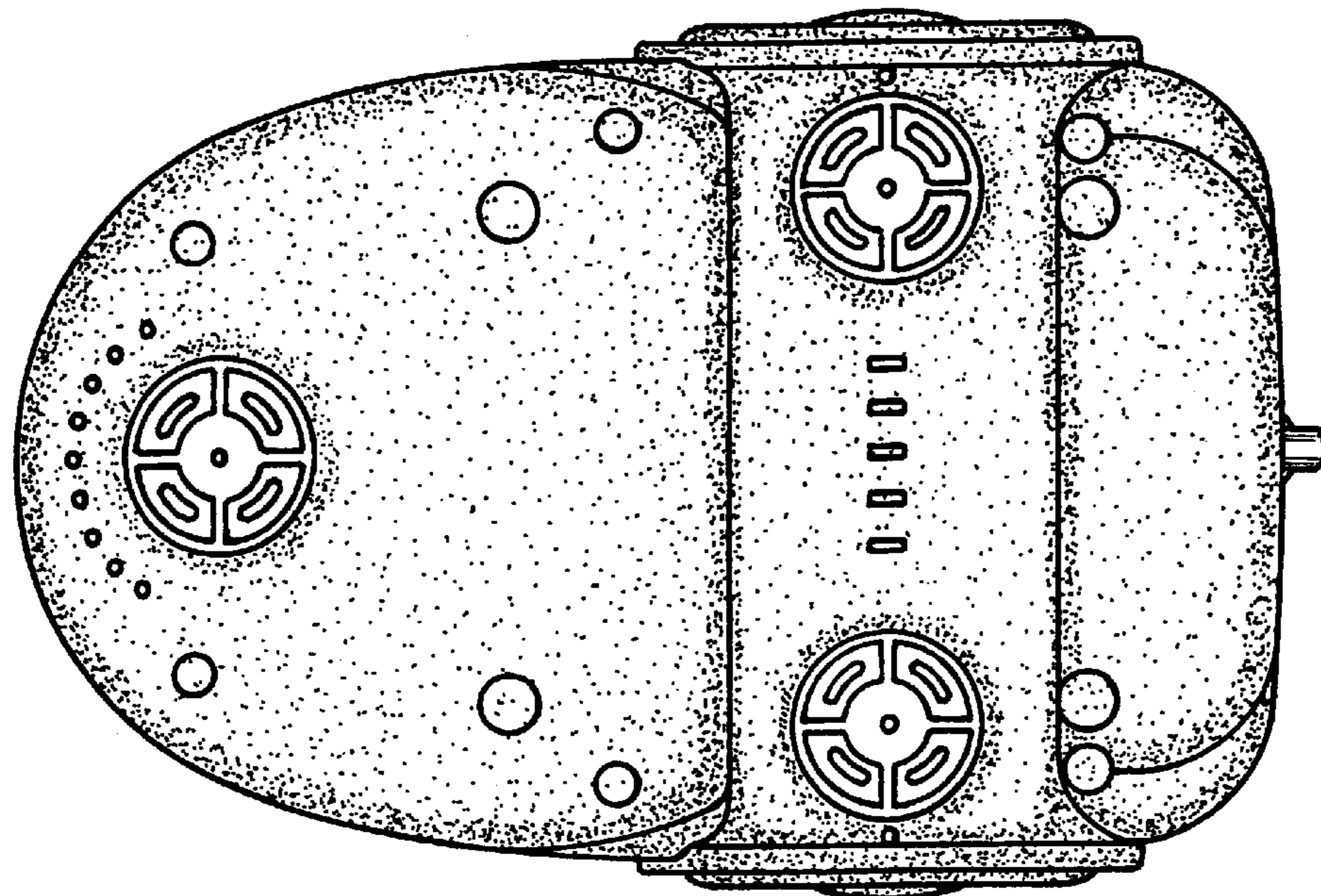


FIG. 3

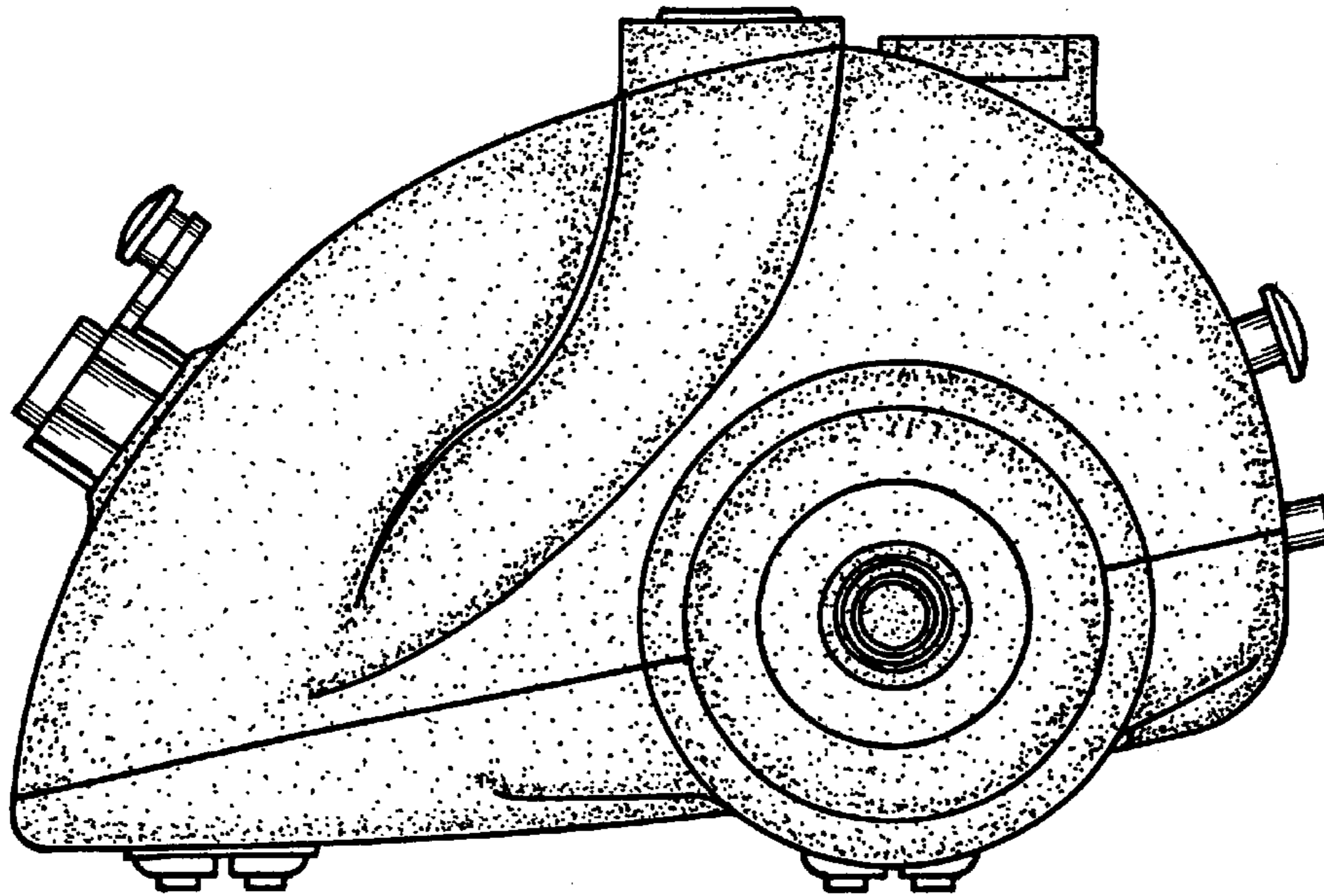


FIG. 4

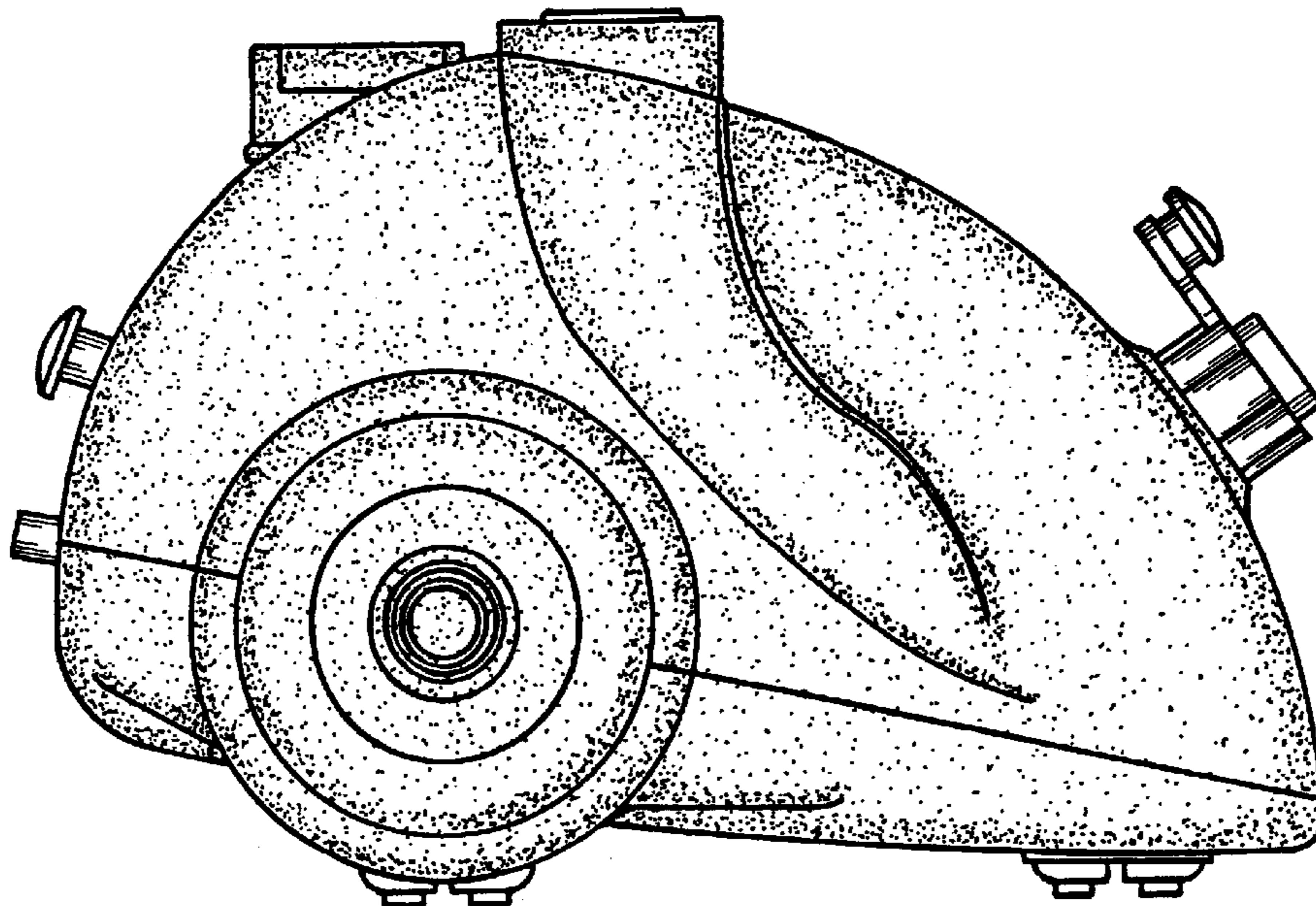


FIG. 5

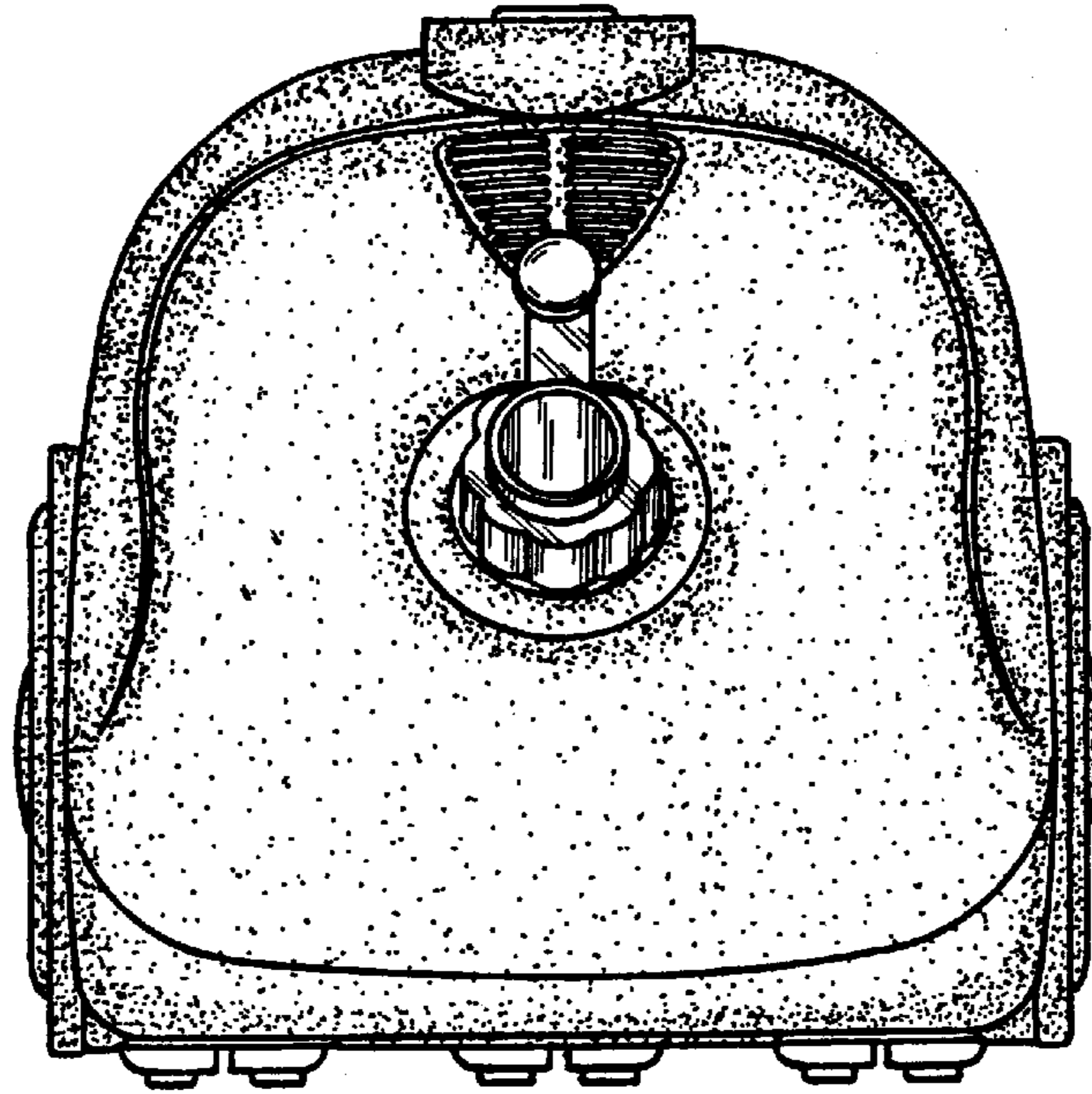


FIG. 6

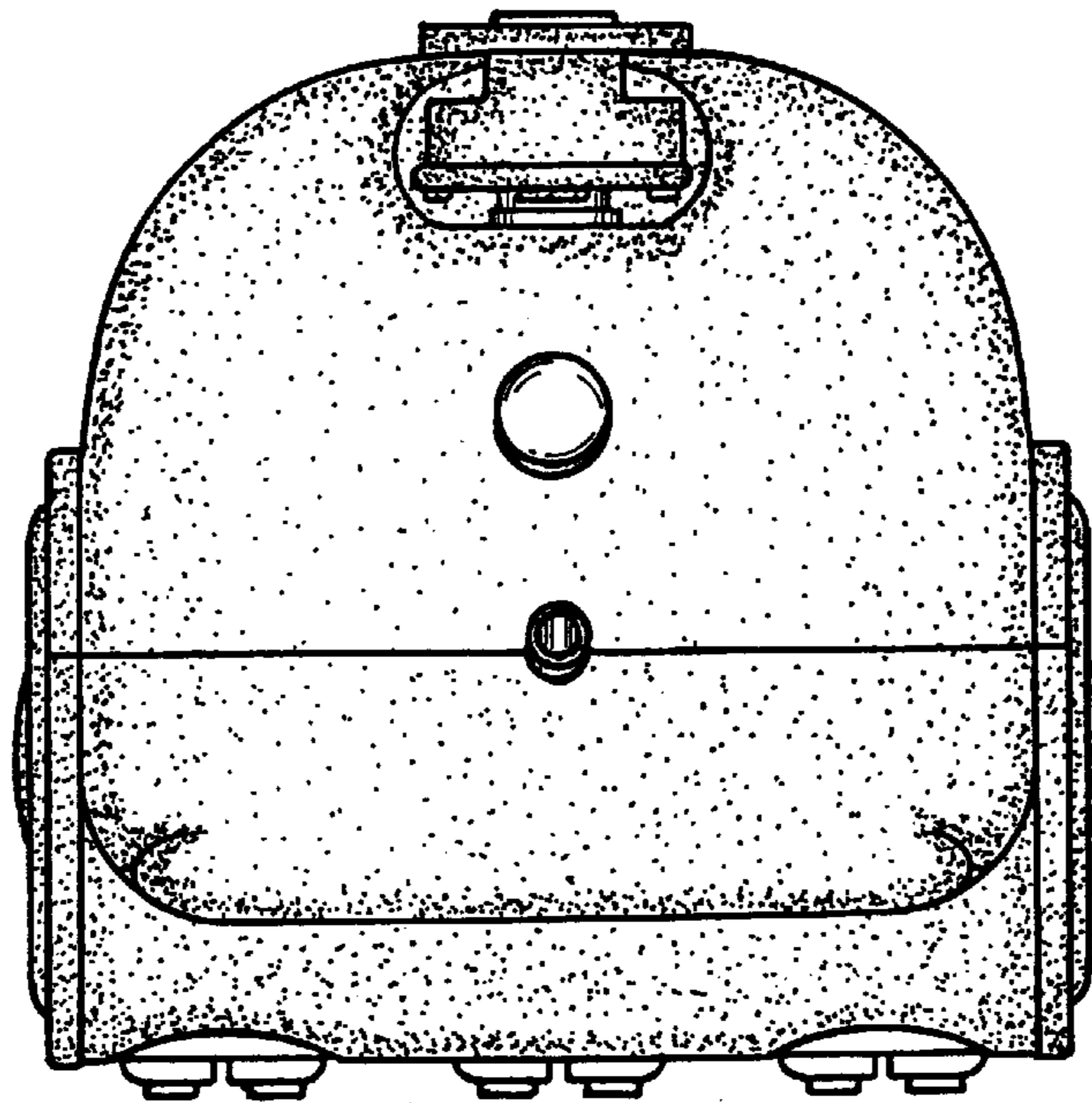


FIG. 7

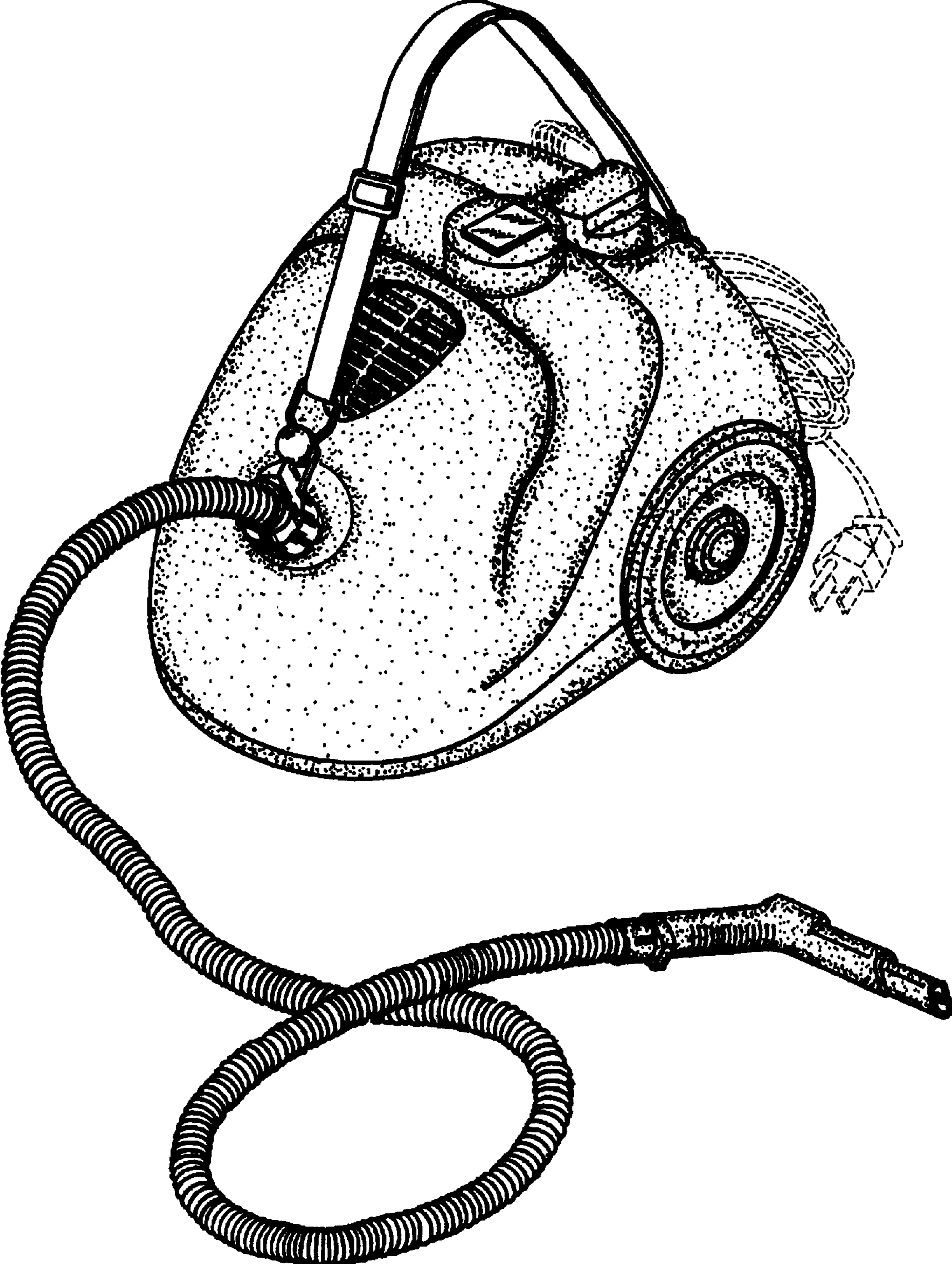


FIG. 8