

US00D505519S

(12) **United States Design Patent**
Korba

(10) **Patent No.:** **US D505,519 S**

(45) **Date of Patent:** **** May 24, 2005**

(54) **LIPSTICK CASE WITH MIRROR**

(75) Inventor: **Gary Korba**, New York, NY (US)

(73) Assignee: **E-L Management Corp.**, New York, NY (US)

(**) Term: **14 Years**

(21) Appl. No.: **29/206,847**

(22) Filed: **Jun. 3, 2004**

(51) **LOC (7) Cl.** **28-03**

(52) **U.S. Cl.** **D28/85**

(58) **Field of Search** D28/73, 85-90;
132/296, 304, 301, 316-318, 320; 401/68,
75, 88, 266; 206/385

(56) **References Cited**

U.S. PATENT DOCUMENTS

1,626,311 A	4/1927	Tipton	
2,049,378 A	7/1936	Holl	
2,094,006 A	9/1937	O'Moore-Farrell	
2,103,577 A	12/1937	O'Moore-Farrell	
2,458,020 A	4/1949	Olsen	
2,512,476 A	6/1950	Birnkrant et al.	
2,951,584 A	9/1960	Bauer	
D238,399 S	* 1/1976	Swenson D28/85
D333,885 S	* 3/1993	Laing D28/76
5,257,696 A	11/1993	Greene	
5,715,848 A	2/1998	Conley, Jr.	
D496,496 S	* 9/2004	Ditrichstein et al. D28/85

* cited by examiner

Primary Examiner—Jennifer Rivard

(57) **CLAIM**

What is claimed is the ornamental design for a lipstick case with mirror, as shown and described.

DESCRIPTION

FIG. 1 is a top, front and left side perspective view of the new design for a lipstick case with mirror, with a cap mounted to a base of the case;

FIG. 2 is a top, front and left side perspective view of the case, with the cap removed from the base and the mirror, which is mounted by hinges on the cap, pivoted to an open position;

FIG. 3 is a left side elevation view of the case as shown in FIG. 1 with the cap mounted on the base;

FIG. 4 is a left side elevation view of the case as shown in FIG. 2, with the cap removed from the base and the mirror pivoted to an open position;

FIG. 5 is a front elevation view of the case as shown in FIG. 1 with the cap mounted on the base;

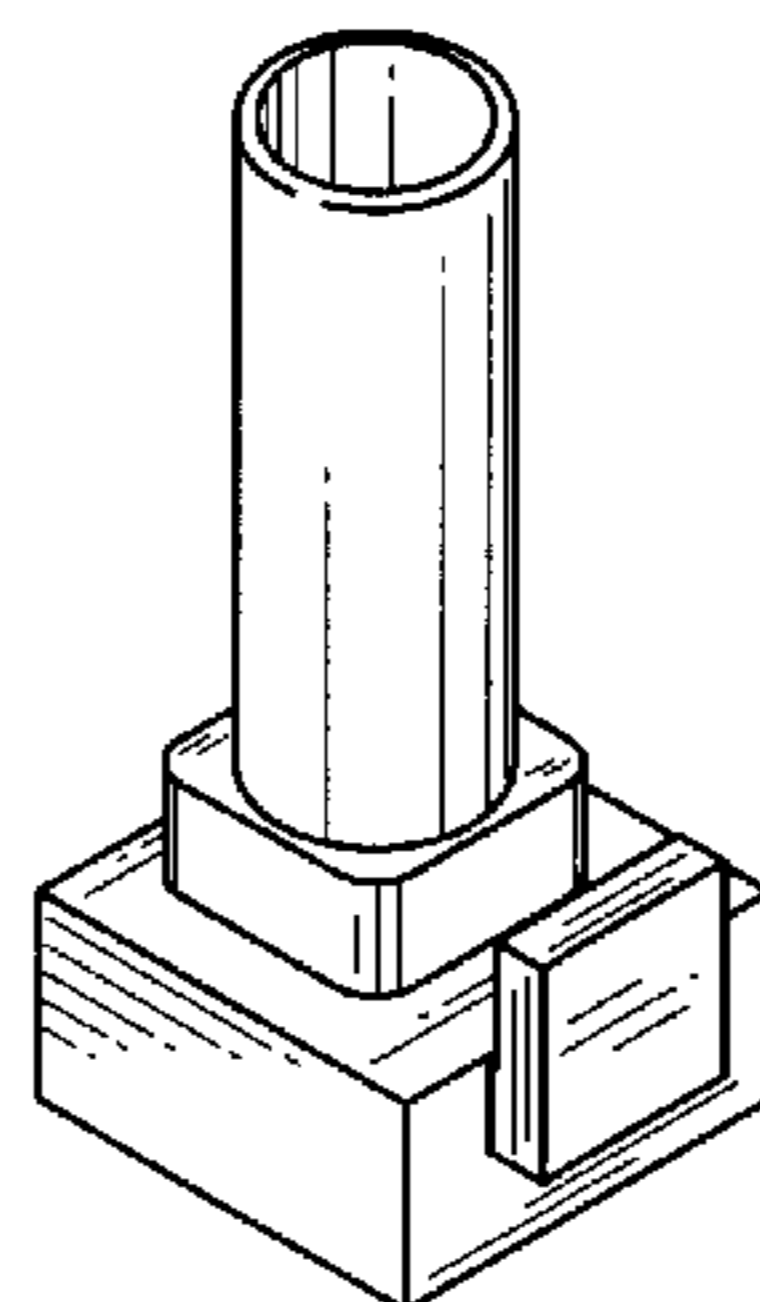
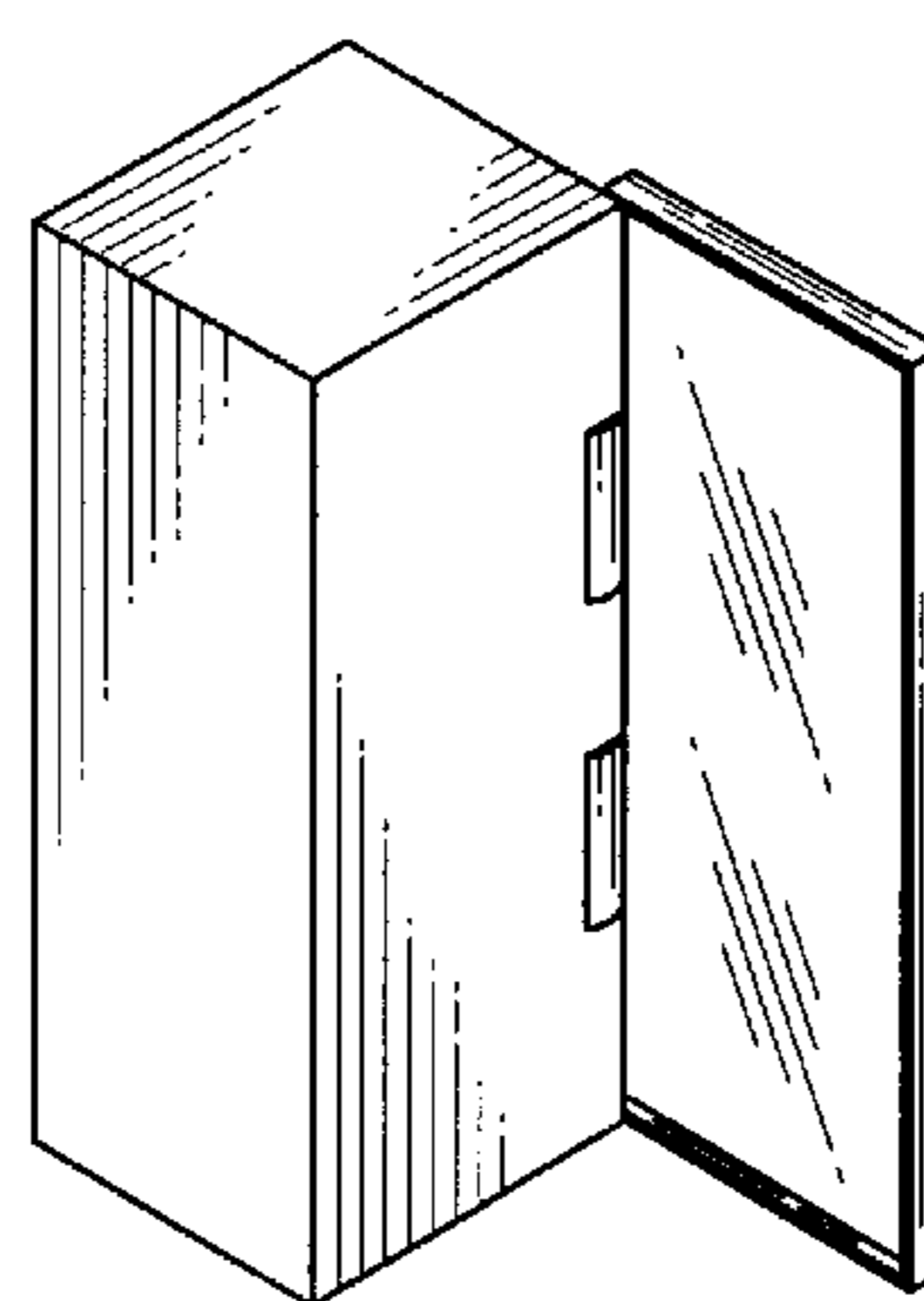
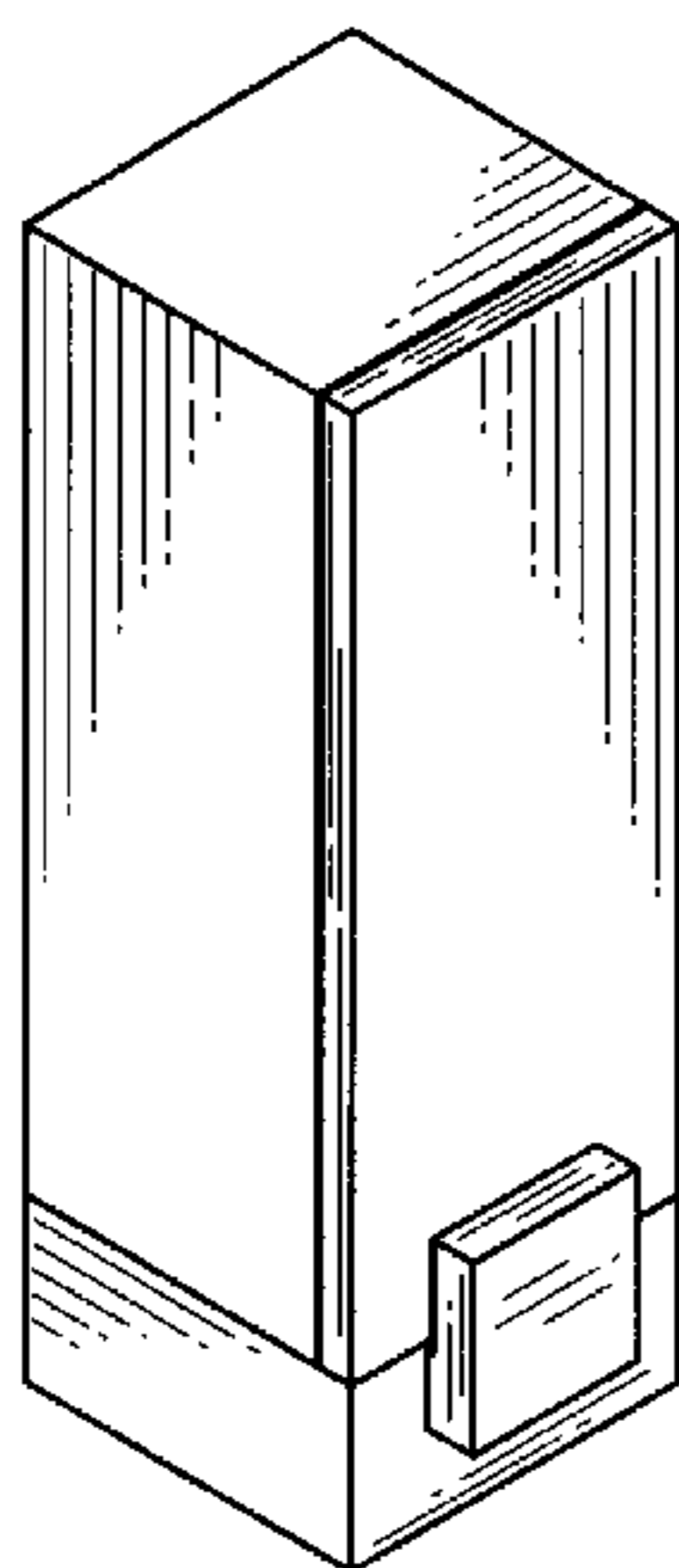
FIG. 6 is a right side elevation view of the case as shown in FIG. 1 with the cap mounted on the base;

FIG. 7 is a rear elevation view of the case as shown in FIG. 1 with the cap mounted on the base;

FIG. 8 is a top plan view of the case as shown in FIG. 1 with the cap mounted on the base; and,

FIG. 9 is a bottom plan view of the case as shown in FIG. 1 with the cap mounted on the base.

1 Claim, 2 Drawing Sheets



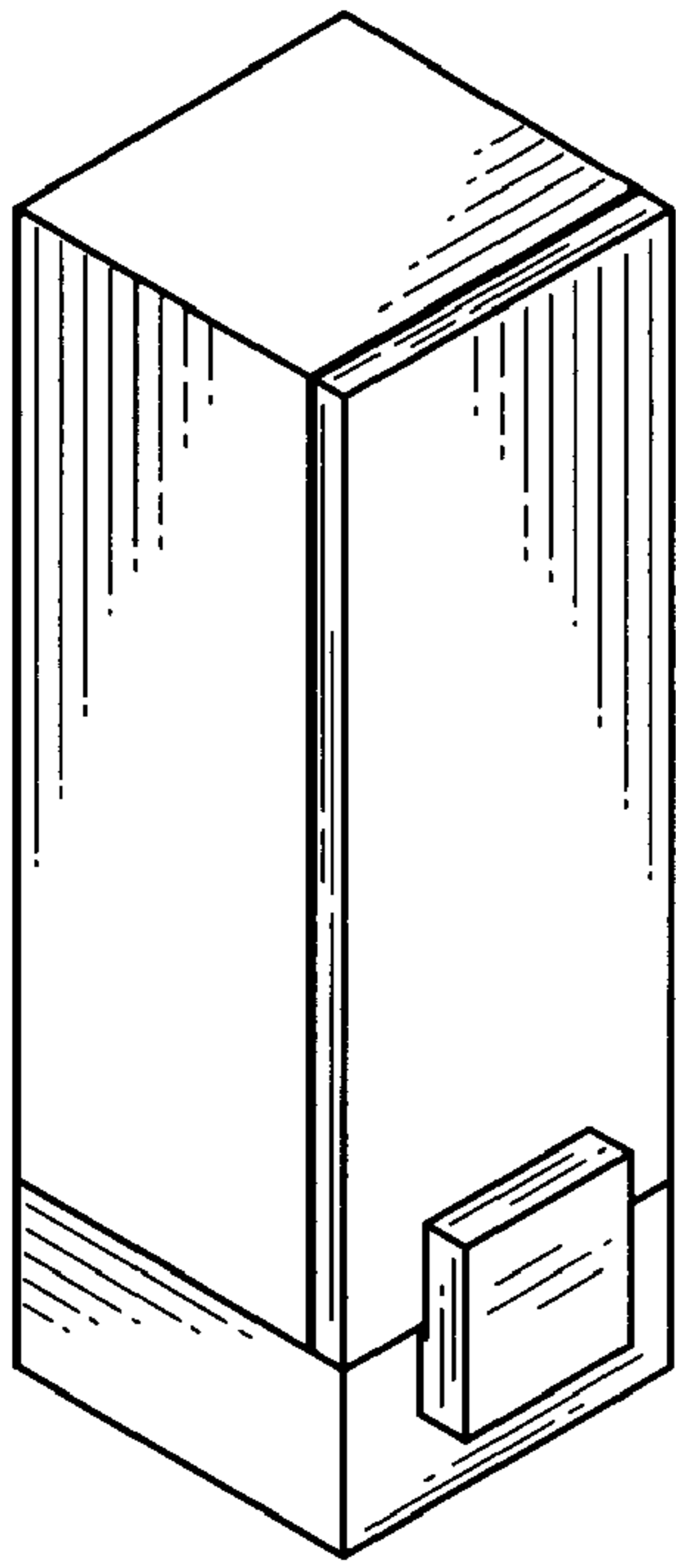


FIG. 1

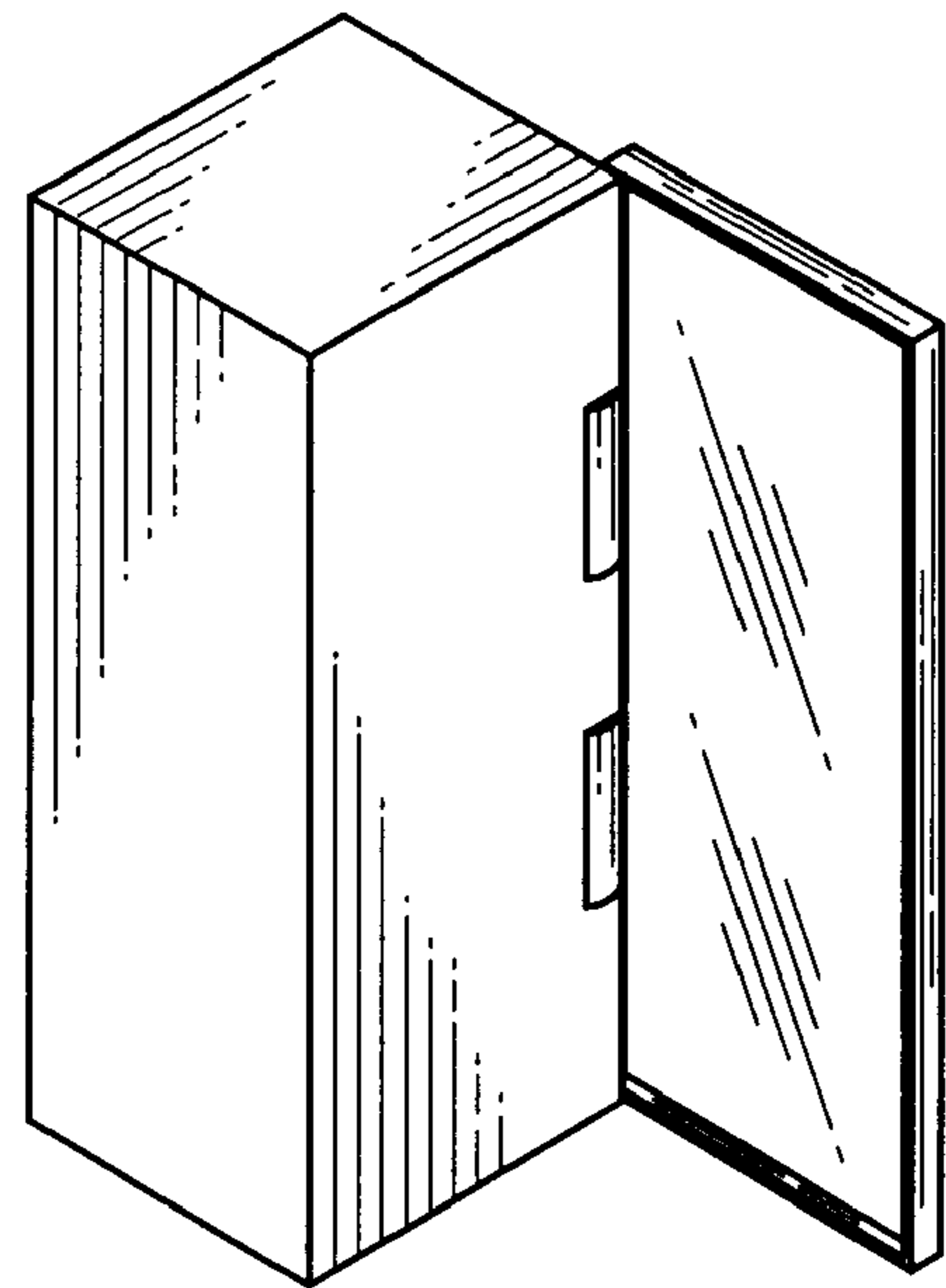


FIG. 2

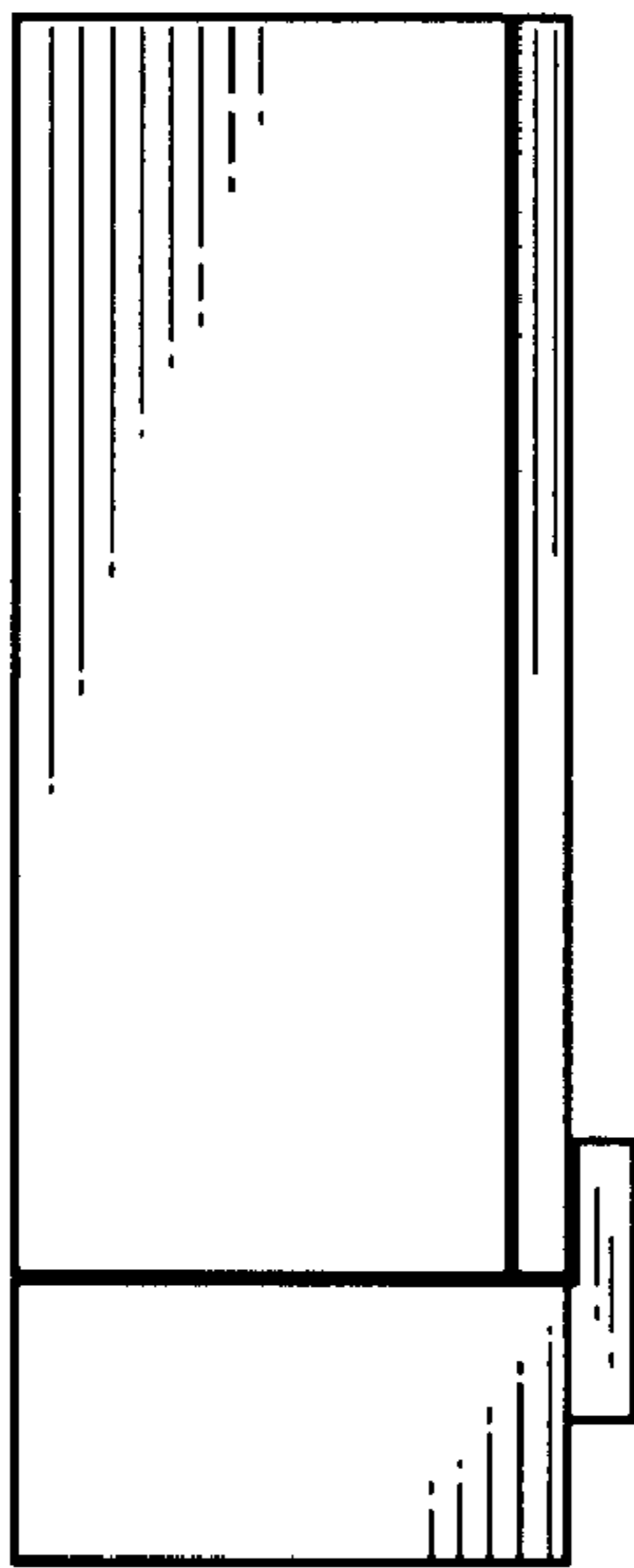
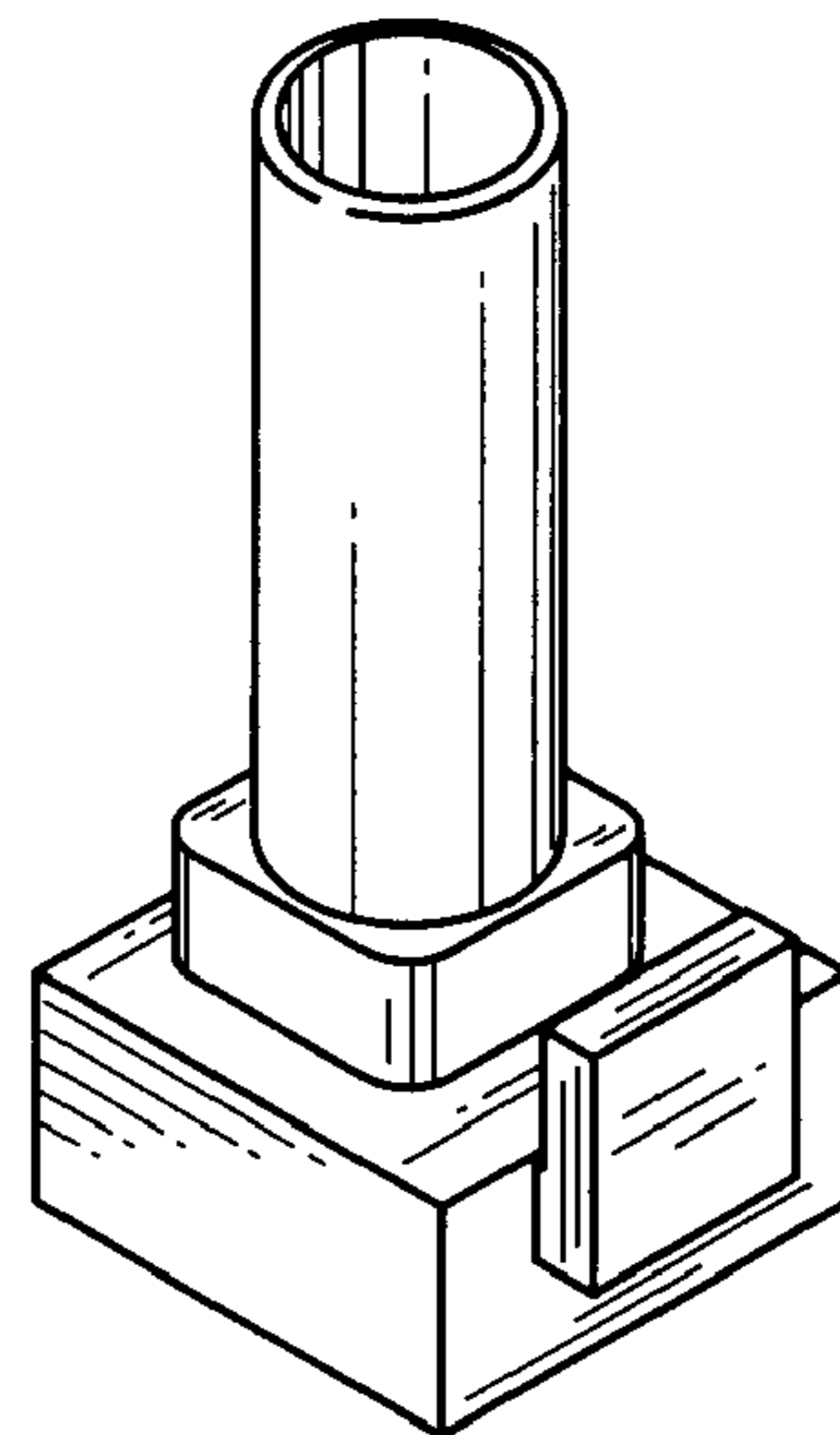


FIG. 3



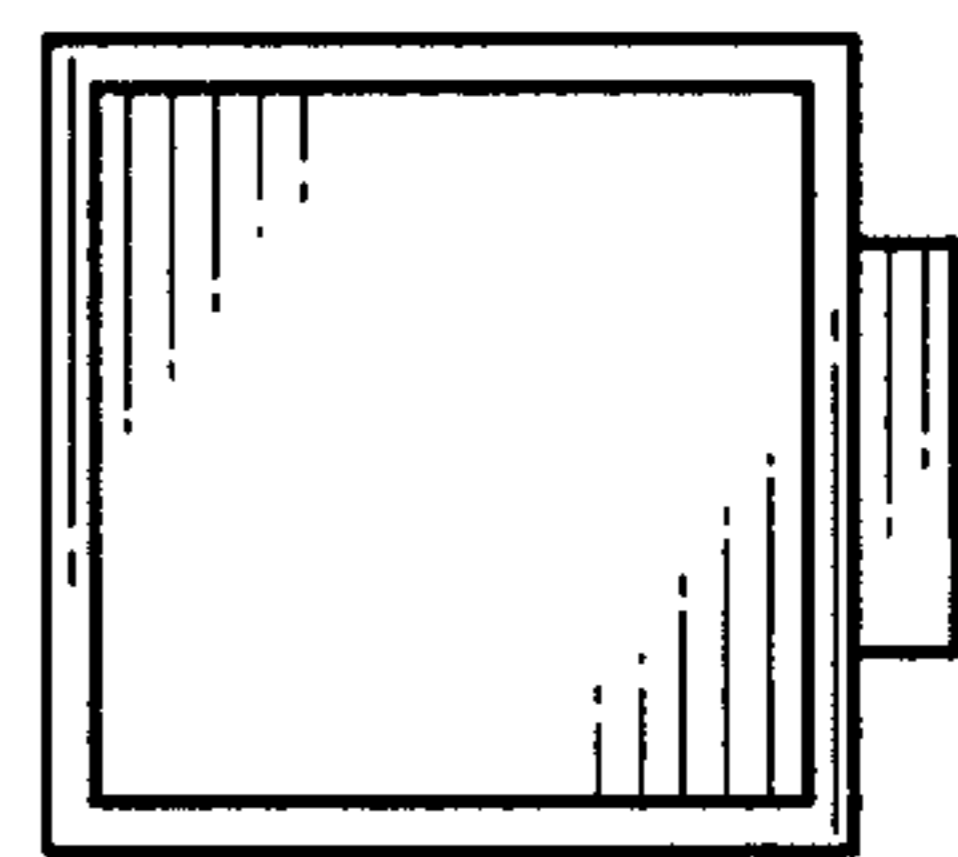
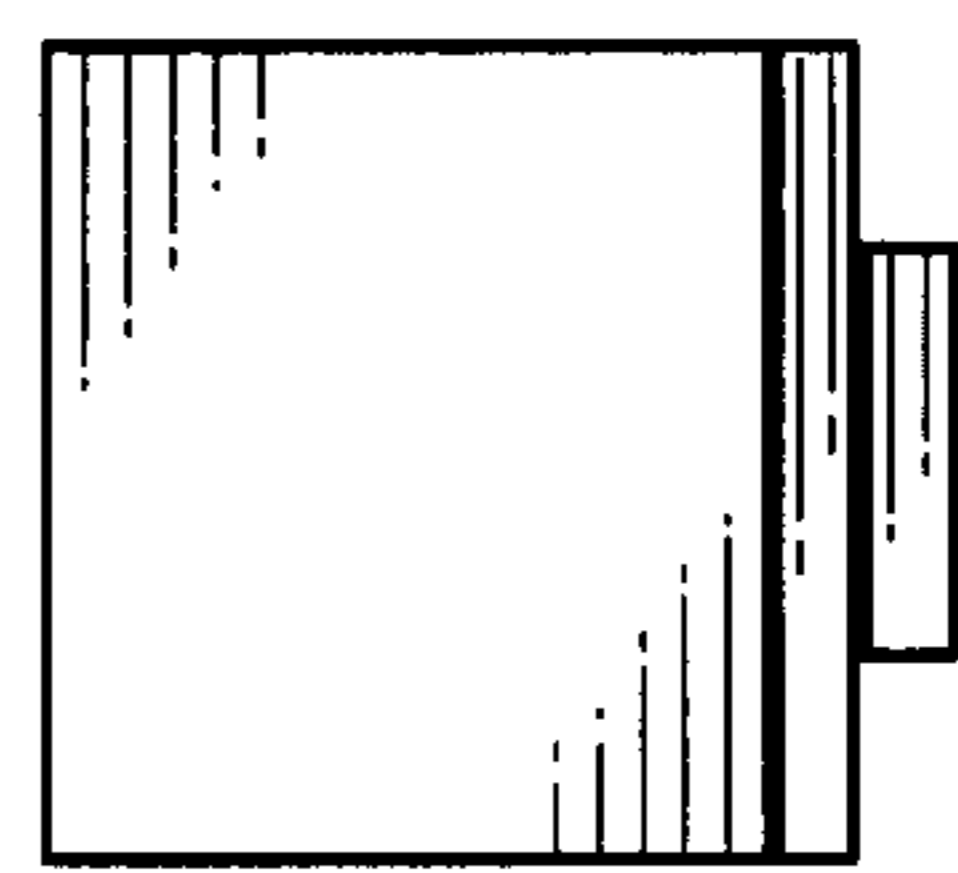
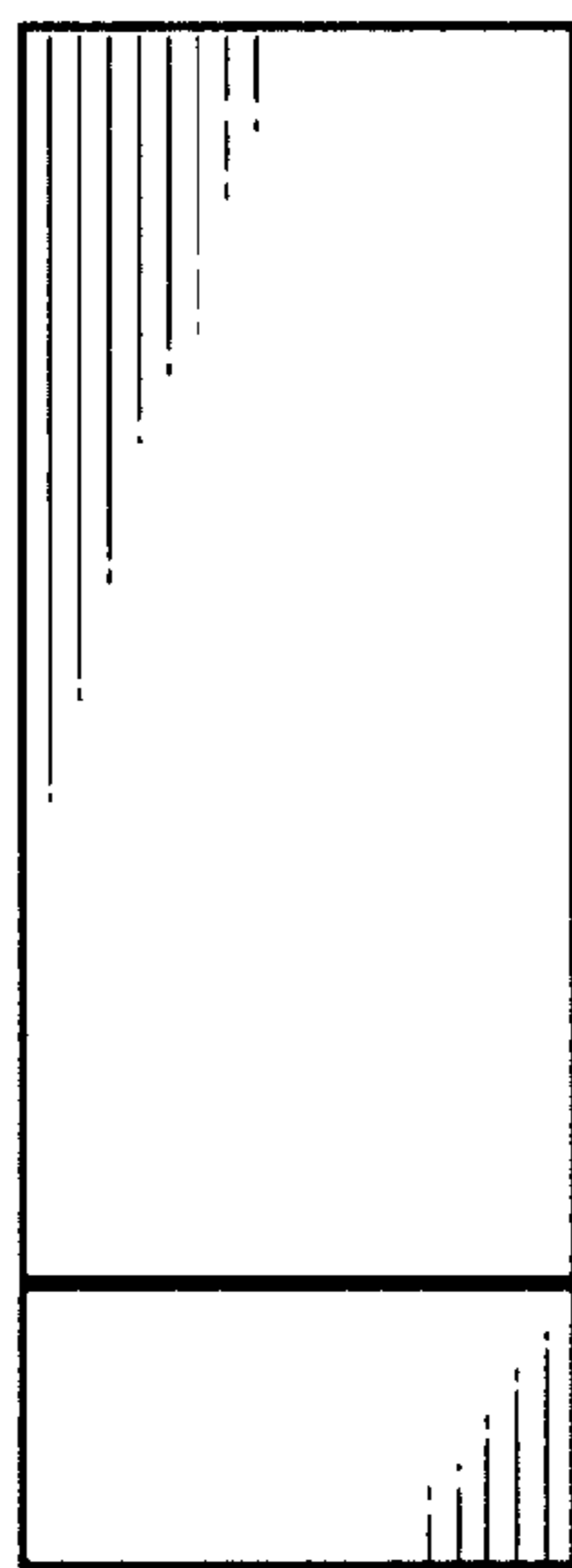
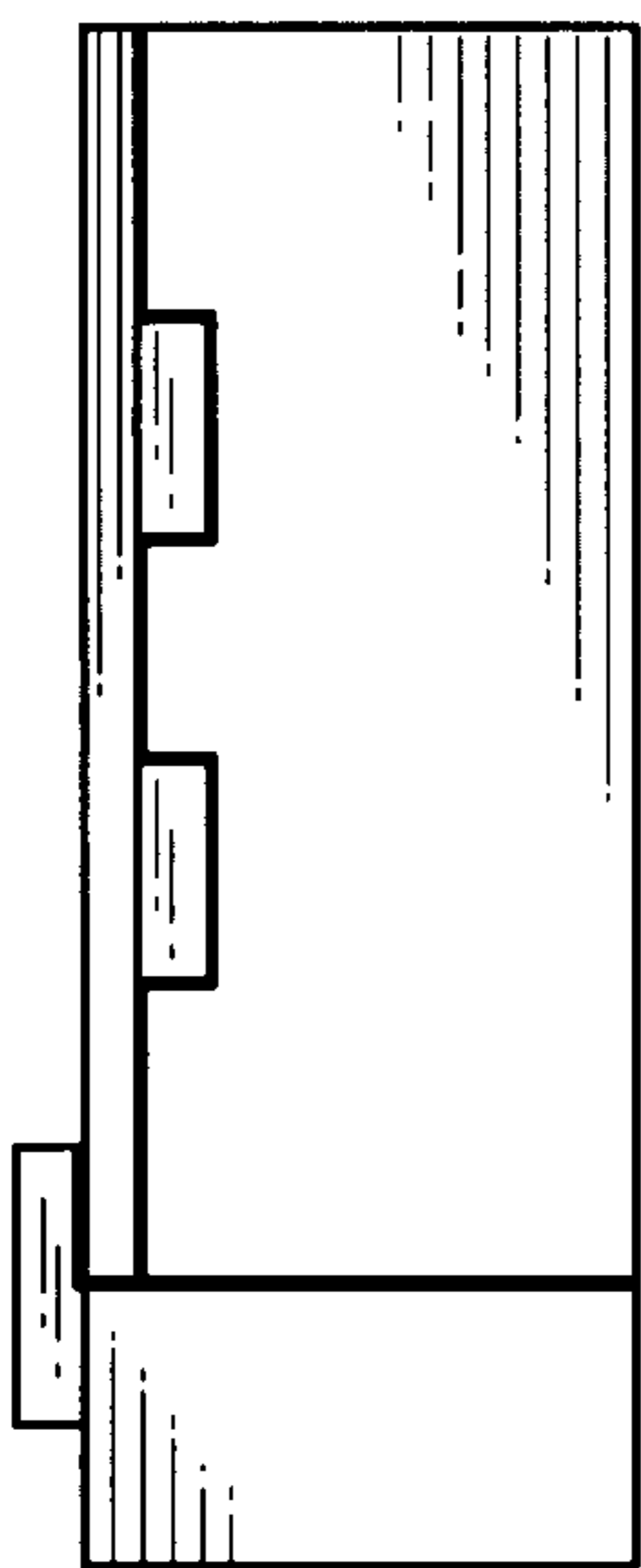
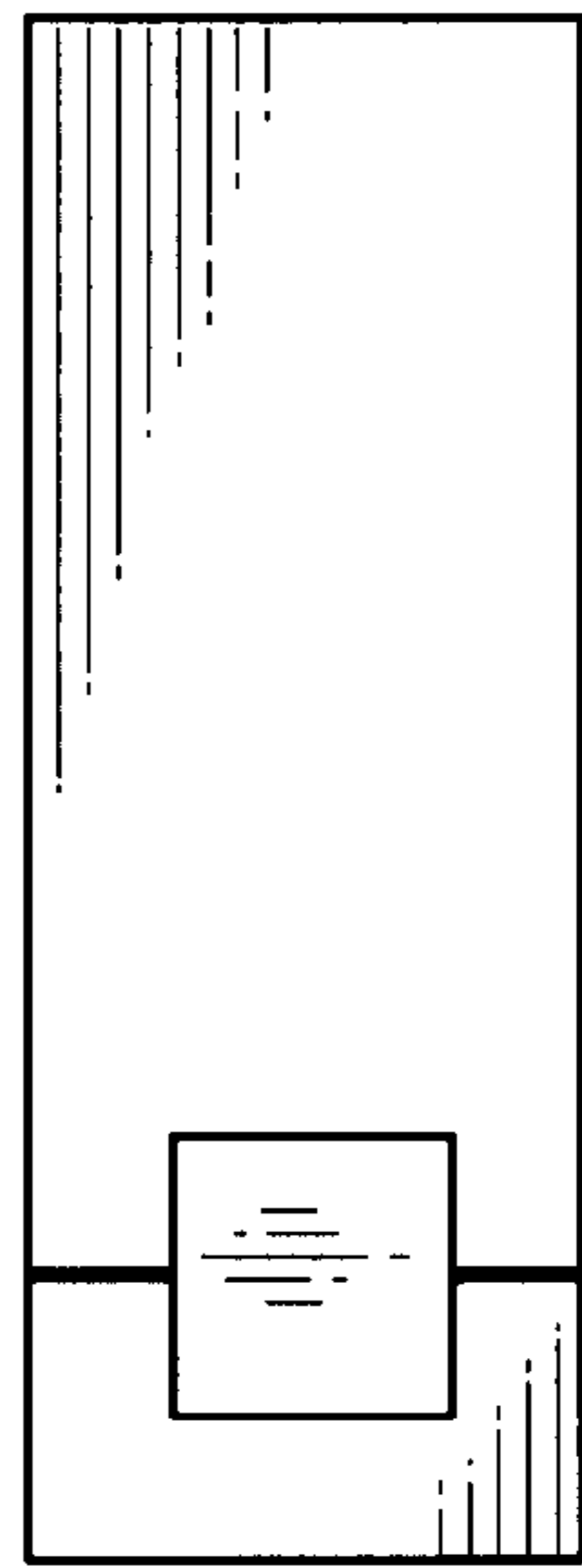
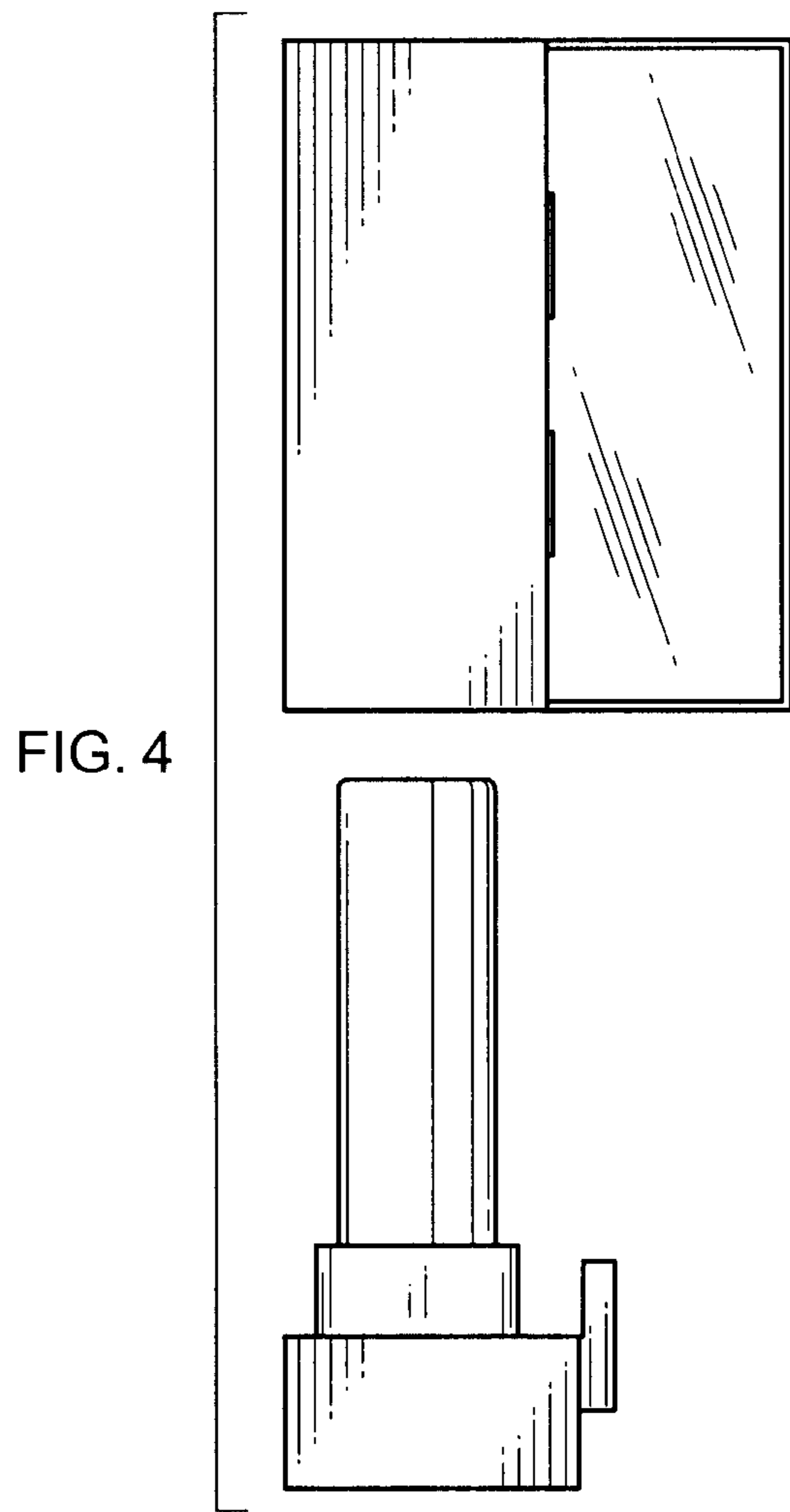


FIG. 6

FIG. 7

FIG. 9