

US00D505518S

(12) **United States Design Patent**
Benjamin et al.

(10) **Patent No.: US D505,518 S**

(45) **Date of Patent: ** May 24, 2005**

(54) **COSMETICS CASE**

(76) Inventors: **Joanne Benjamin**, 1130 Park Ave.,
New York, NY (US) 10128; **Mario De Luigi**, Via Bellotti, 1, Milan (IT);
Denny Cheng, 61 Audry Rd., Westbury,
NY (US) 11590

(**) Term: **14 Years**

(21) Appl. No.: **29/194,139**

(22) Filed: **Nov. 19, 2003**

(51) **LOC (7) Cl. 28-03**

(52) **U.S. Cl. D28/83**

(58) **Field of Search** D28/73, 76-84,
D28/91; 206/581, 823; 132/293-307, 313-318,
320

(56) **References Cited**

U.S. PATENT DOCUMENTS

- D305,281 S * 1/1990 Chen D28/76
- 5,437,294 A * 8/1995 Ebbets, III et al. 132/304
- D473,681 S * 4/2003 Thorpe D28/83

* cited by examiner

Primary Examiner—Jennifer Rivard

(74) *Attorney, Agent, or Firm*—Steinberg & Raskin, P.C.

(57) **CLAIM**

We claim the ornamental design for a cosmetics case, as shown and described.

DESCRIPTION

FIG. 1 is a perspective top, front and left side view of a cosmetics case showing our new design;
 FIG. 2 is a front view thereof;
 FIG. 3 is a left side view thereof;
 FIG. 4 is a right side view thereof;
 FIG. 5 is a rear view thereof;
 FIG. 6 is a bottom view thereof;
 FIG. 7 is a perspective partially opened position view thereof;
 FIG. 8 is a plan fully opened position view thereof;
 FIG. 9 is a front fully opened position view thereof; and,
 FIG. 10 is a perspective fully opened position view thereof.
 The broken lines are shown for illustrative purposes only and form no part of the claimed design.

1 Claim, 6 Drawing Sheets

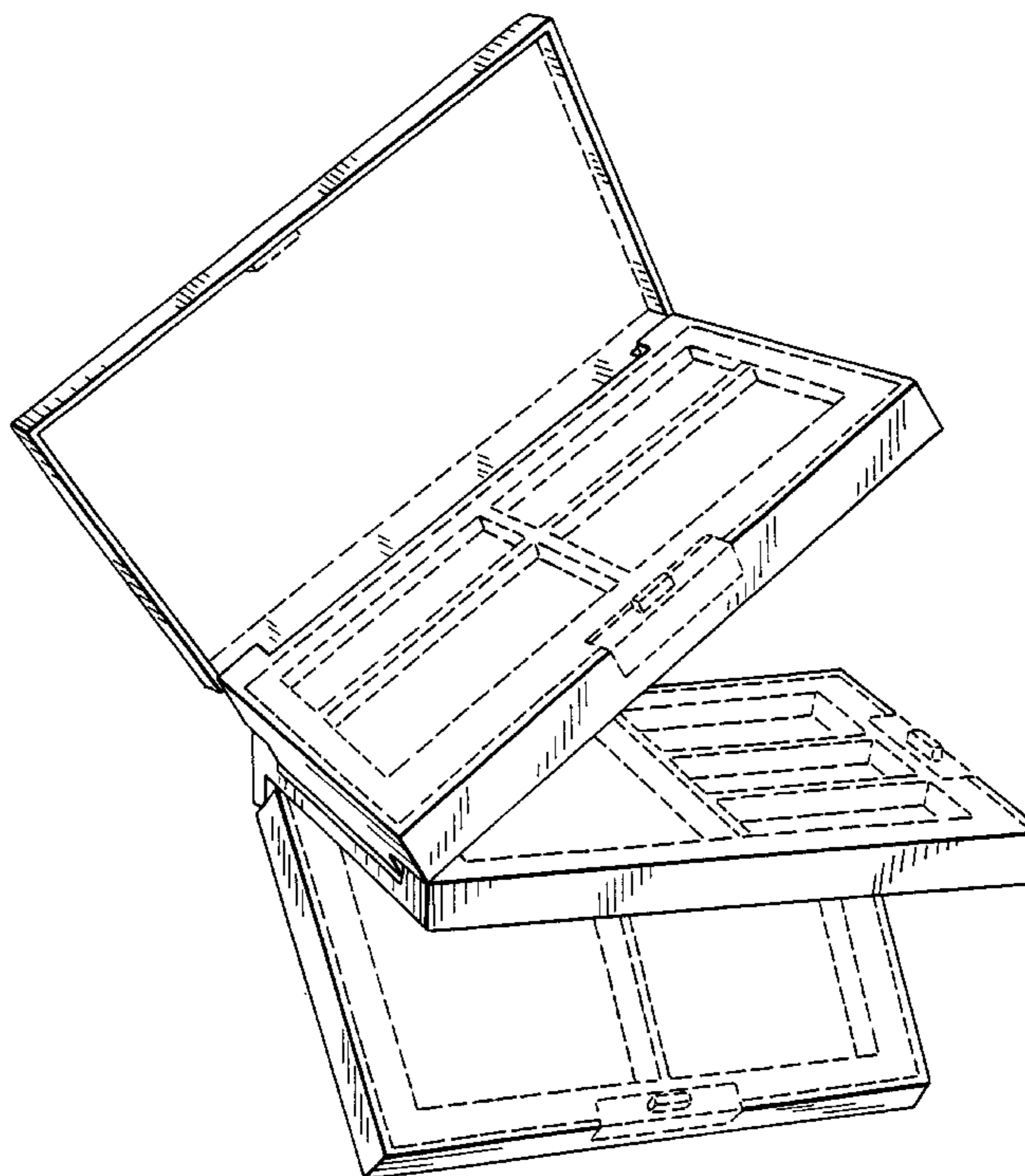
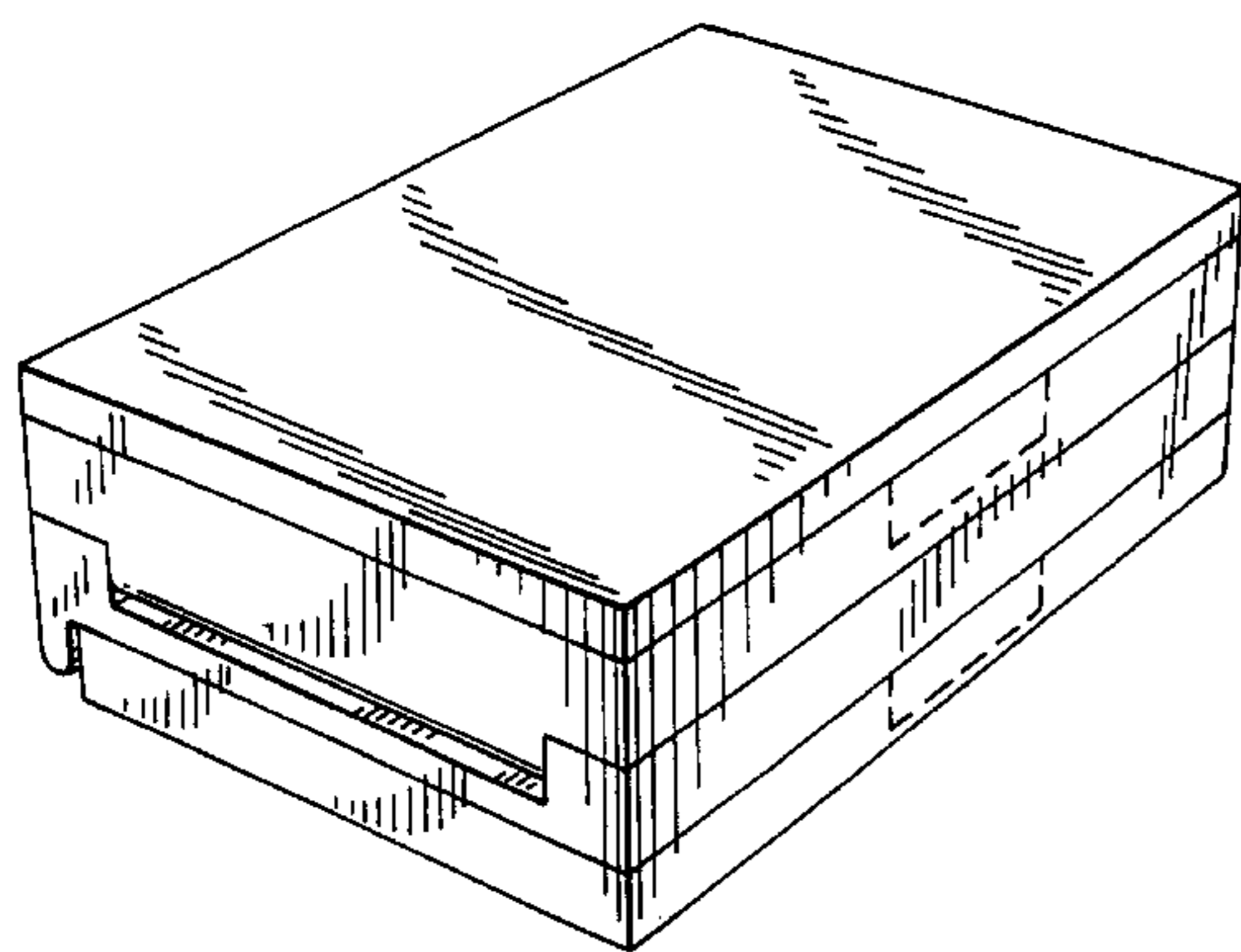


FIG. 1

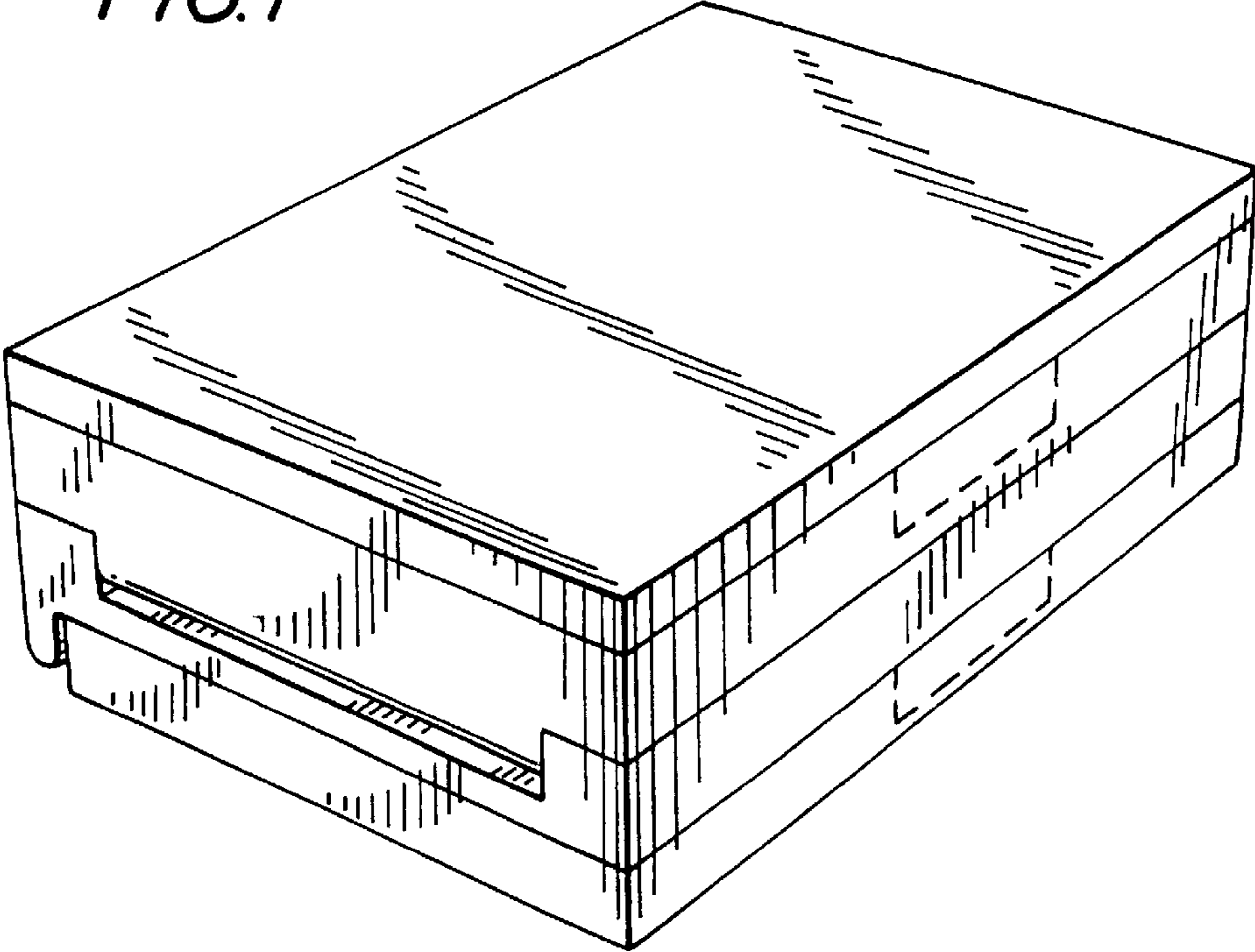


FIG. 2

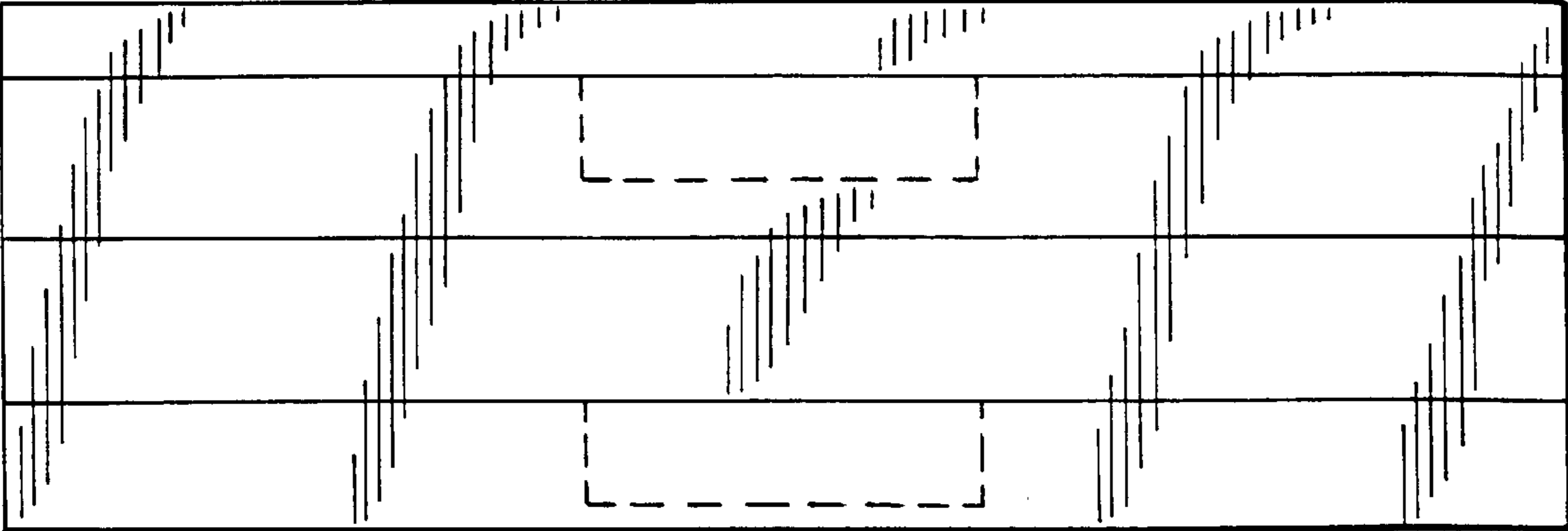


FIG. 3

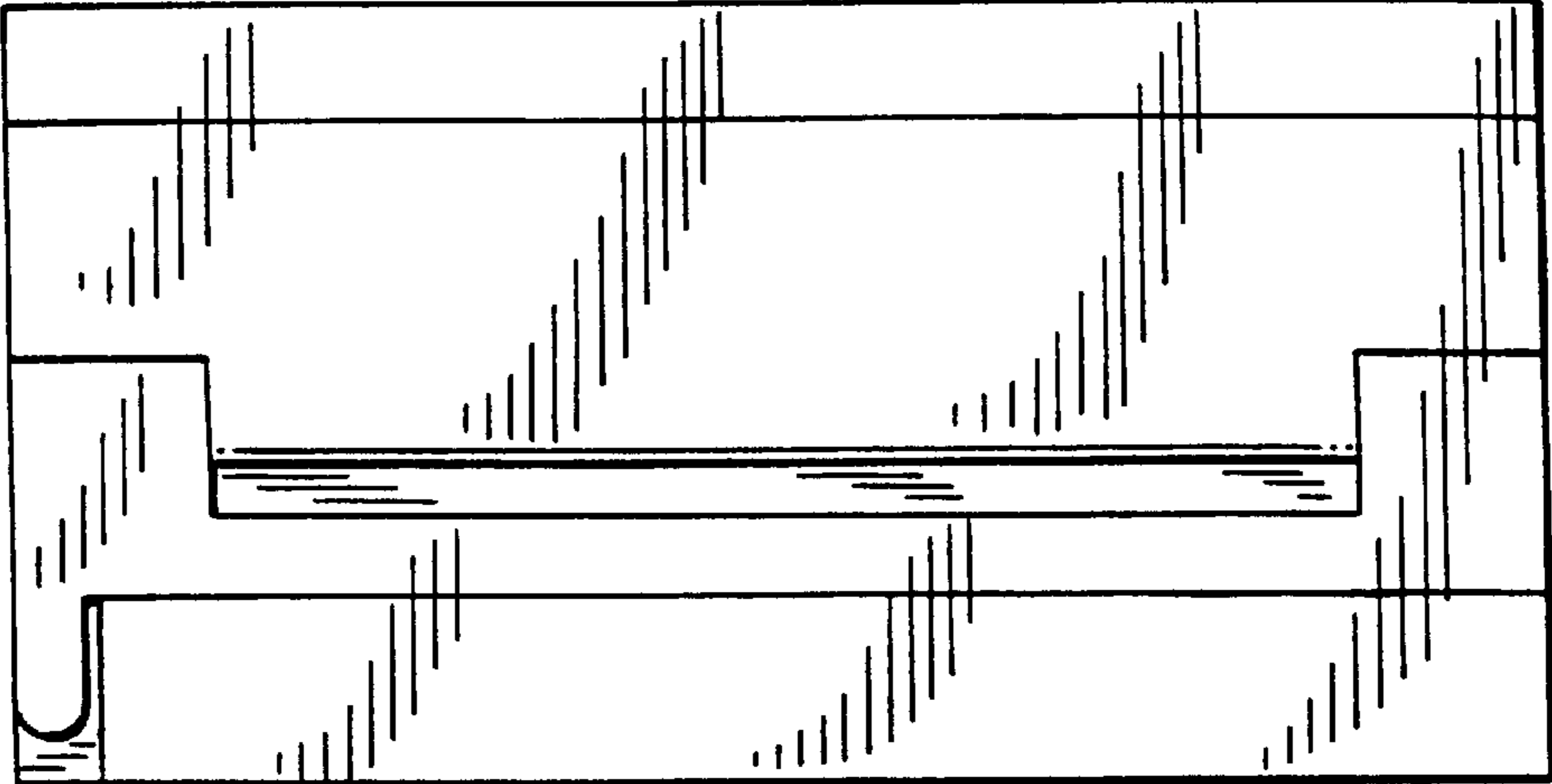


FIG. 4

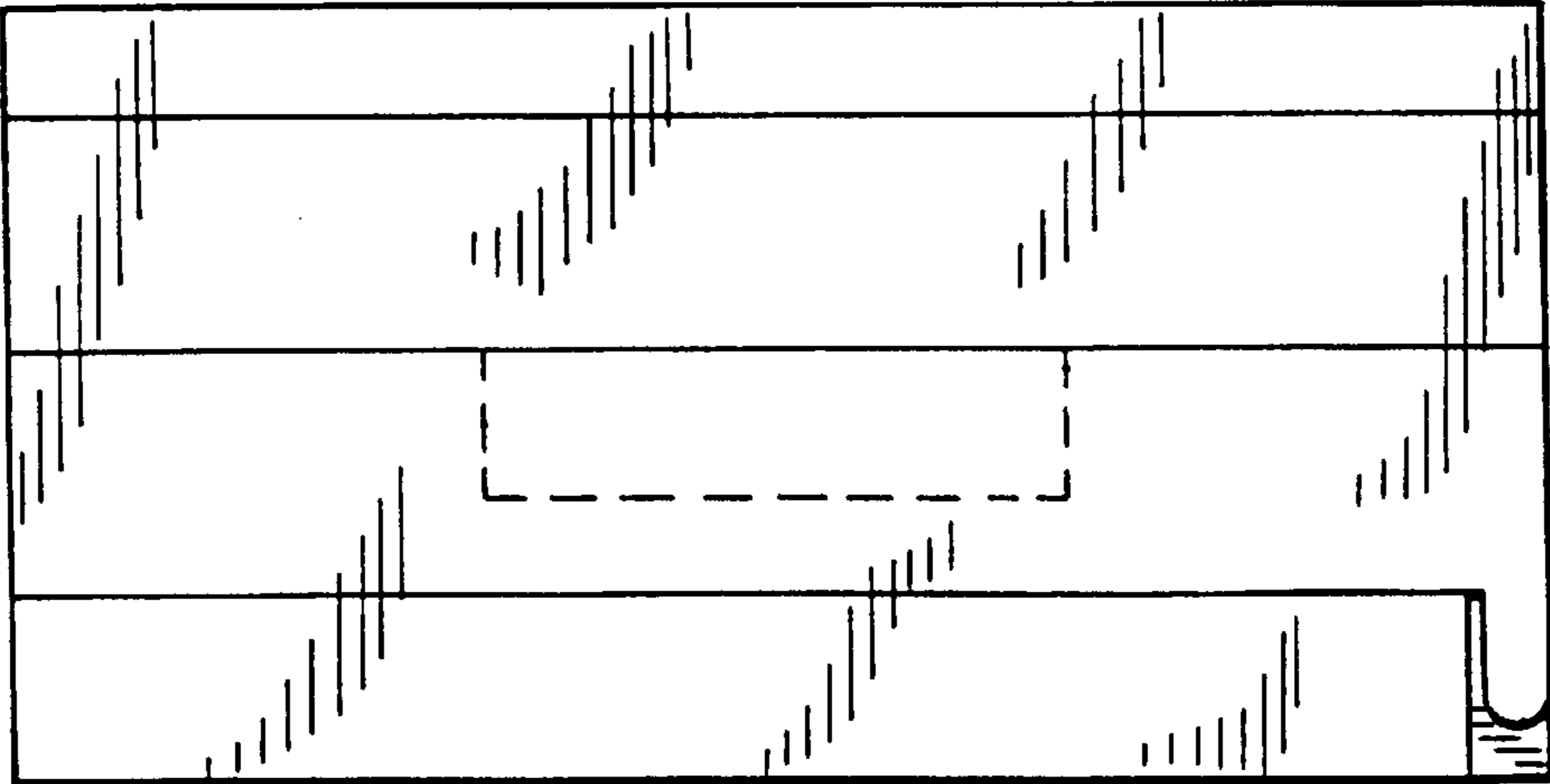


FIG. 5

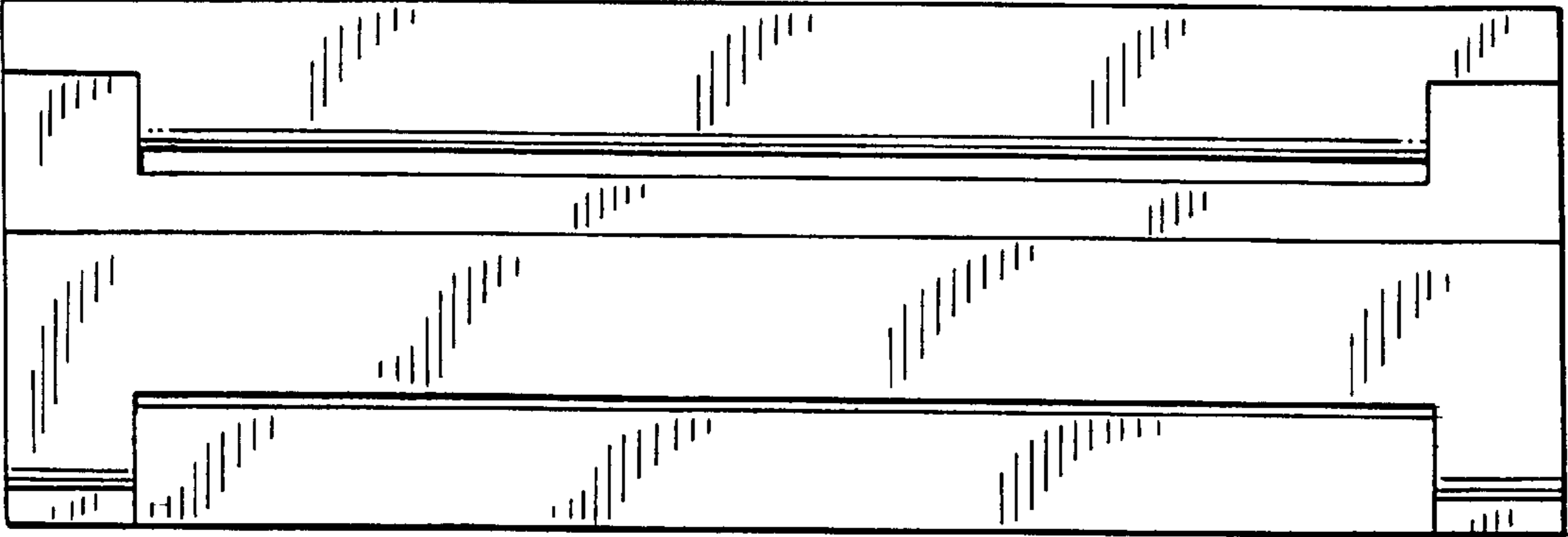
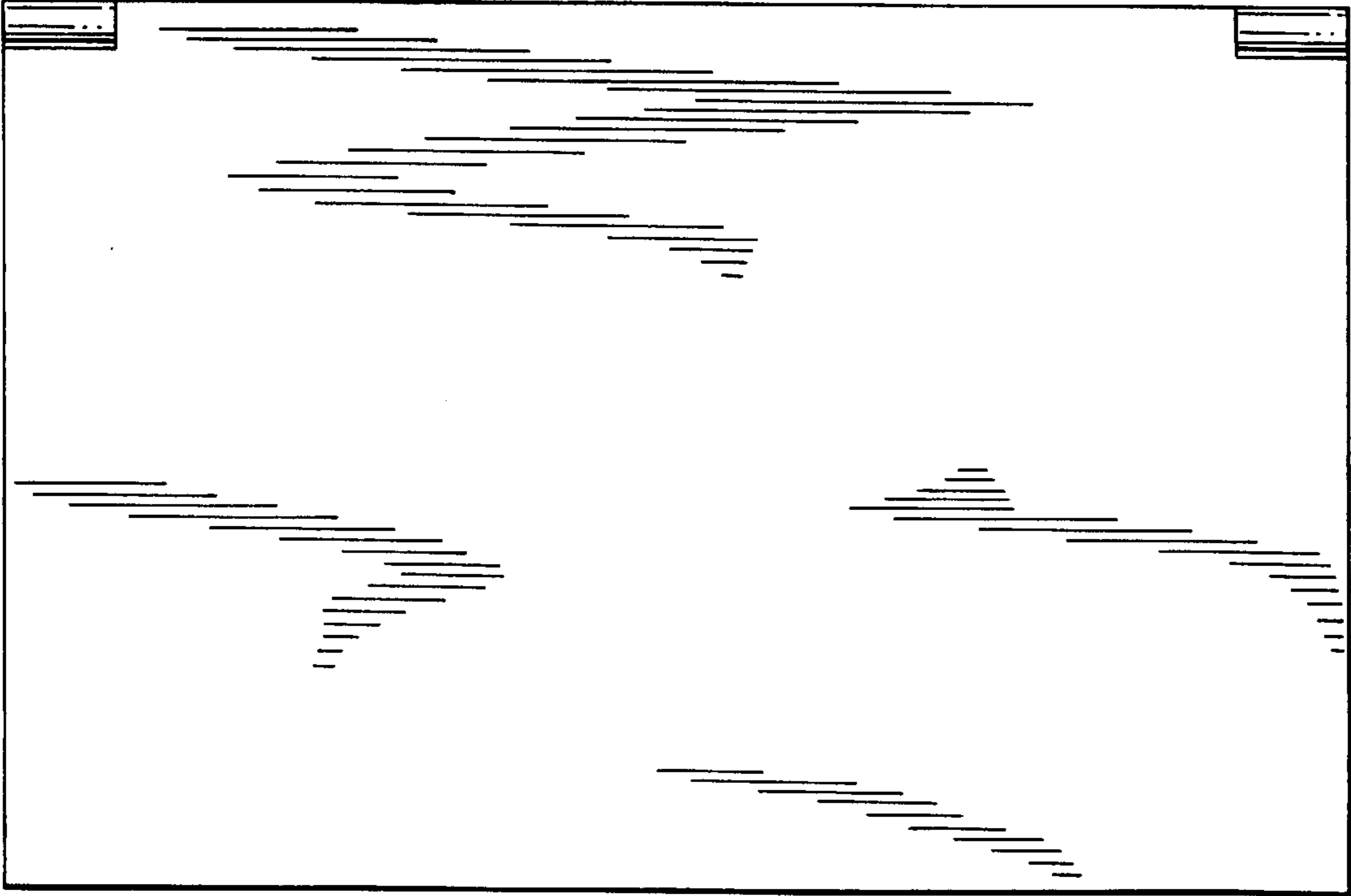


FIG. 6



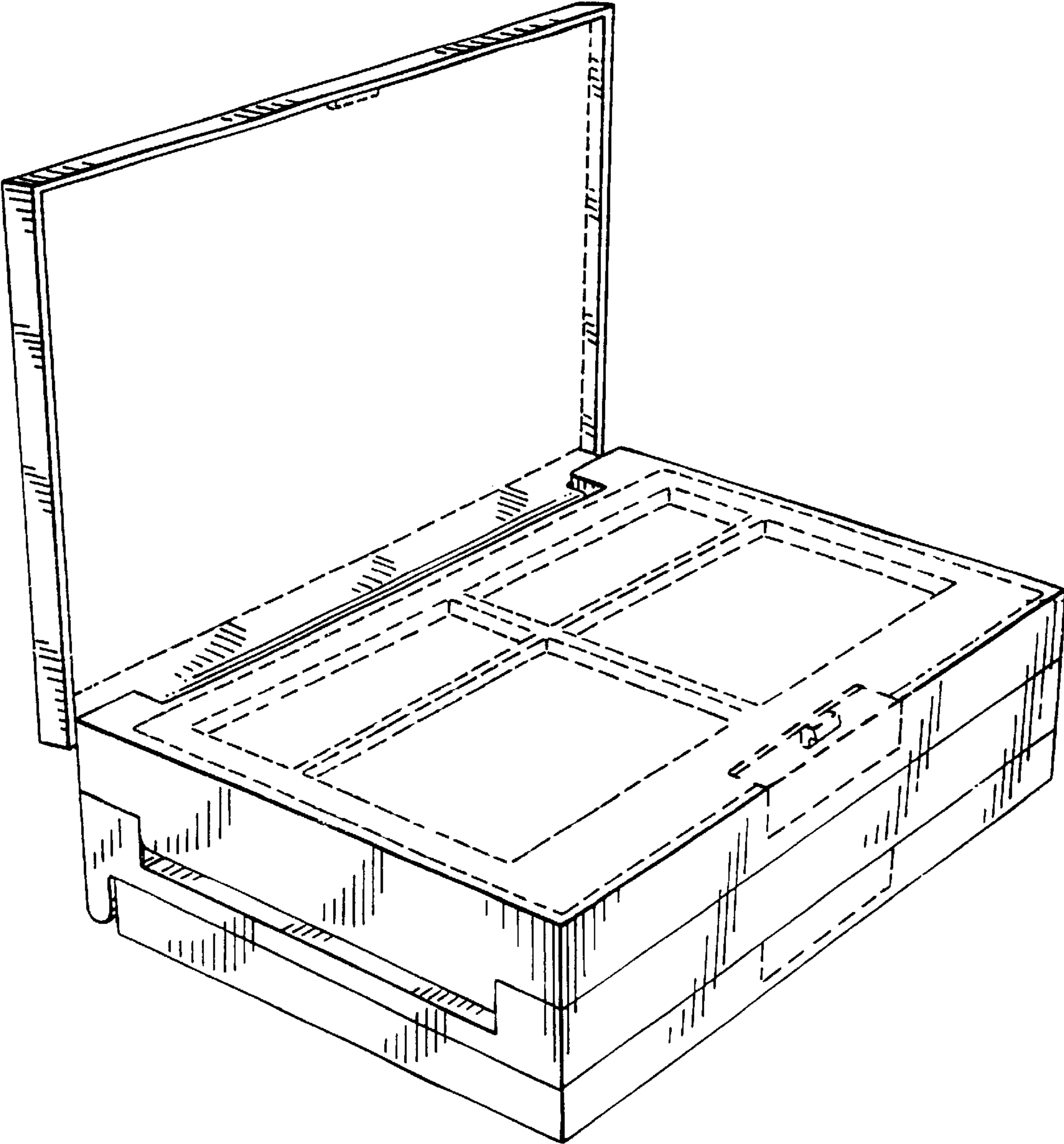


FIG. 7

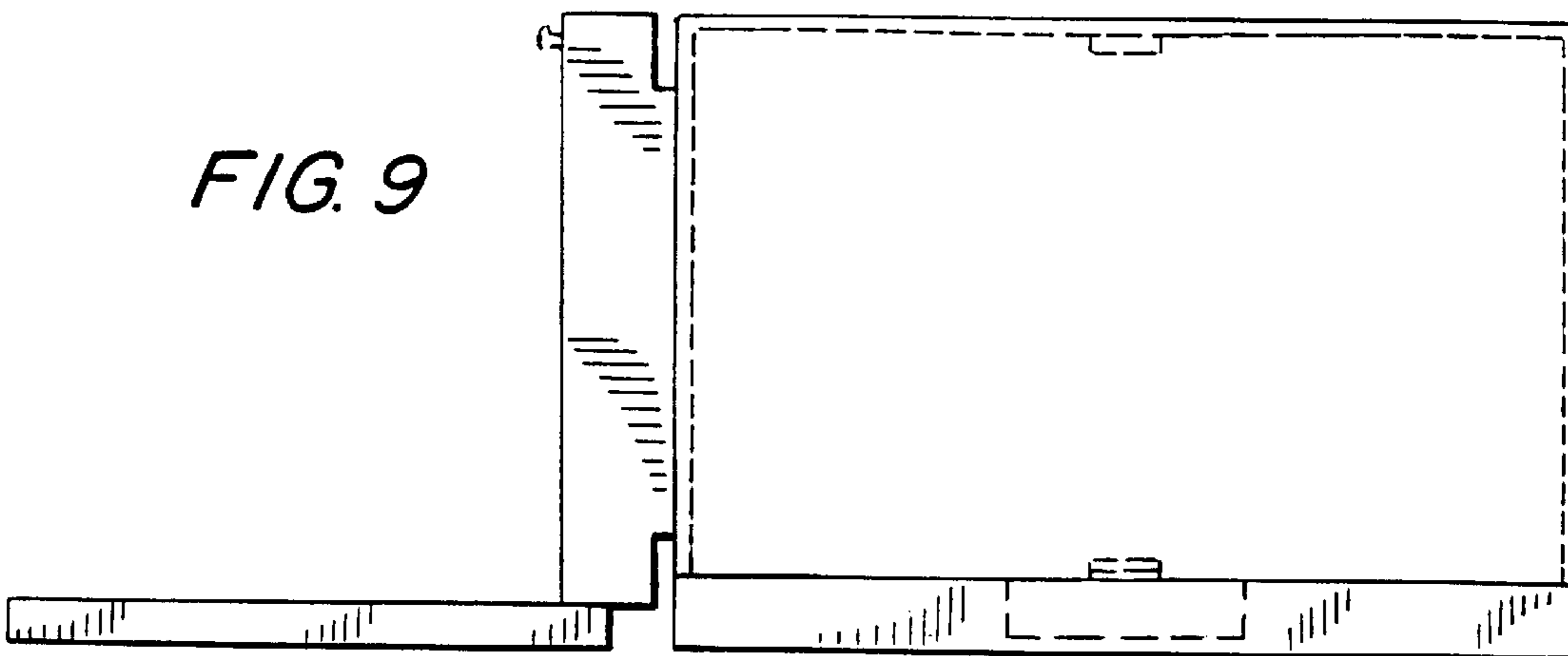
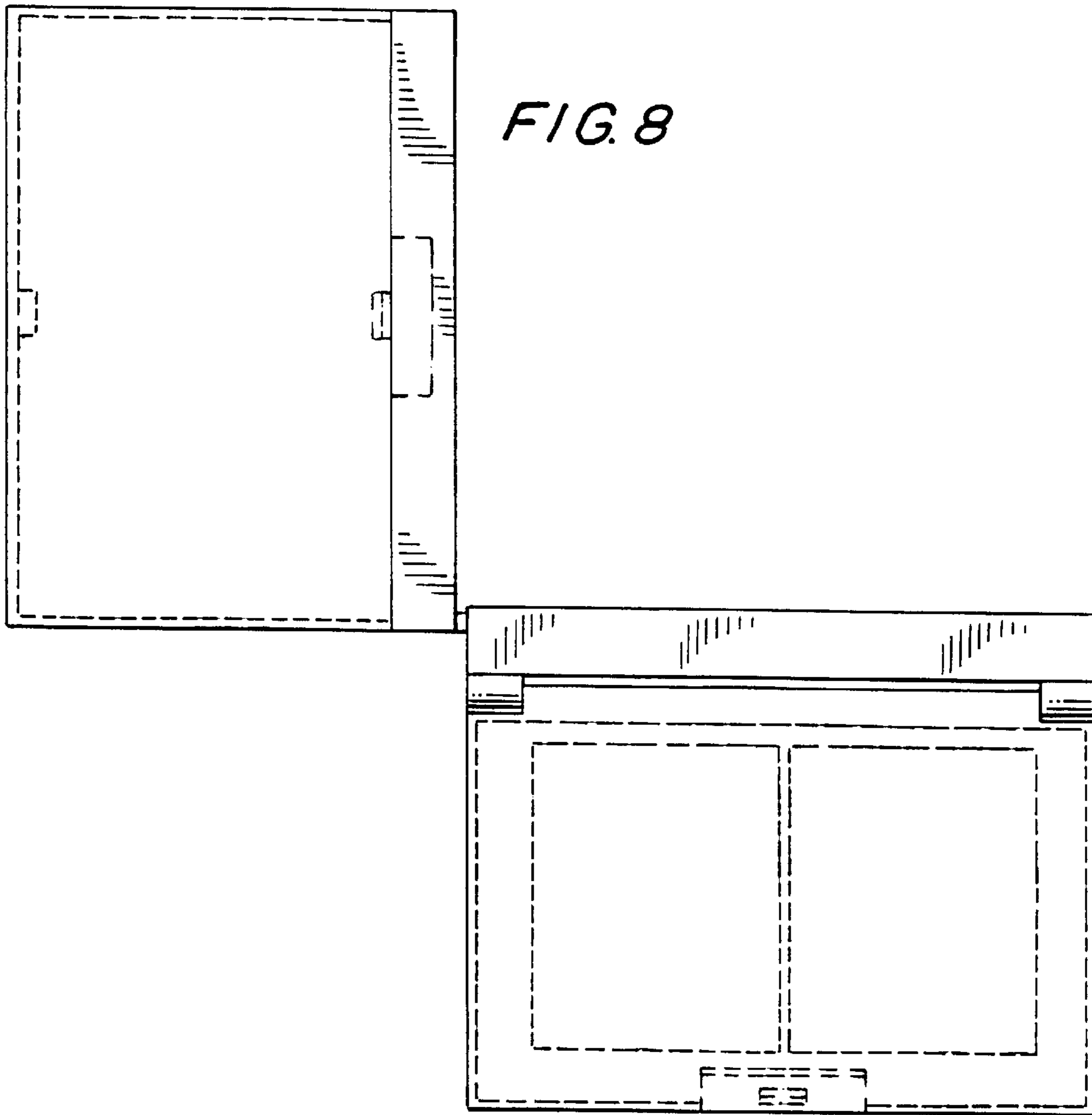


FIG. 10

