

US00D505517S

(12) **United States Design Patent**
Baresi et al.

(10) **Patent No.:** **US D505,517 S**
(45) **Date of Patent:** **** May 24, 2005**

(54) **HEXAGONAL CONTAINER FOR COSMETICS**
(75) Inventors: **Donald Baresi**, Staten Island, NY (US);
Robert Murello, Staten Island, NY (US)

(73) Assignee: **Innovative Cosmetic Concepts LLC**,
New York, NY (US)

(**) Term: **14 Years**

(21) Appl. No.: **29/204,362**

(22) Filed: **Apr. 28, 2004**

(51) **LOC (7) Cl.** **28-02**

(52) **U.S. Cl.** **D28/76; D28/81; D28/83;**
D9/431

(58) **Field of Search** D28/73, 76-84,
D28/91; D9/307, 423, 431, 529; 132/293-307,
313-318; 206/581, 823; D3/294

(56) **References Cited**

U.S. PATENT DOCUMENTS

1,752,948 A	4/1930	Hermann	
1,803,023 A	4/1931	Lessin	
1,944,502 A	1/1934	Factor	
2,112,539 A	3/1938	Magnus	
D142,315 S	* 8/1945	Beveridge D28/78
2,761,458 A	9/1956	Werber	
D259,398 S	* 6/1981	Shiffman D9/423
D290,536 S	6/1987	Nadel	
D293,612 S	1/1988	Bulwik	
4,936,463 A	6/1990	Tiramani	
D325,123 S	4/1992	Tiramani	
D349,977 S	8/1994	Shen	
D350,625 S	9/1994	Shen	
5,358,100 A	10/1994	Wolff	
5,363,969 A	11/1994	Shen	
D368,430 S	* 4/1996	Herzog D9/431

D373,221 S	8/1996	Lai	
D383,605 S	9/1997	Usuriello	
5,941,255 A	8/1999	Chen	
D432,309 S	10/2000	Tsai et al.	
D477,227 S	* 7/2003	Goswell D9/529
D480,180 S	9/2003	Lai	
D482,494 S	11/2003	Sheng	

OTHER PUBLICATIONS

Color @ bloomingdale's, B, Our Own "Little Brown Bag" Box Set, www.bloomingdales.com.
Bazaar's Best, Estée Lauder's Pure Color EyeShadow, Publisher is unknown.
"FIBA", Orangeburg, NY, 2003.
Fitness, The Season's Prettiest Lip Gloss, Aug. 2003, p. 58.
Rich Shih's Enterprises Co., Ltd., Children Cosmetics, Taiwan.

* cited by examiner

Primary Examiner—Jennifer Rivard

(74) *Attorney, Agent, or Firm*—Gottlieb, Rackman & Reisman, P.C.

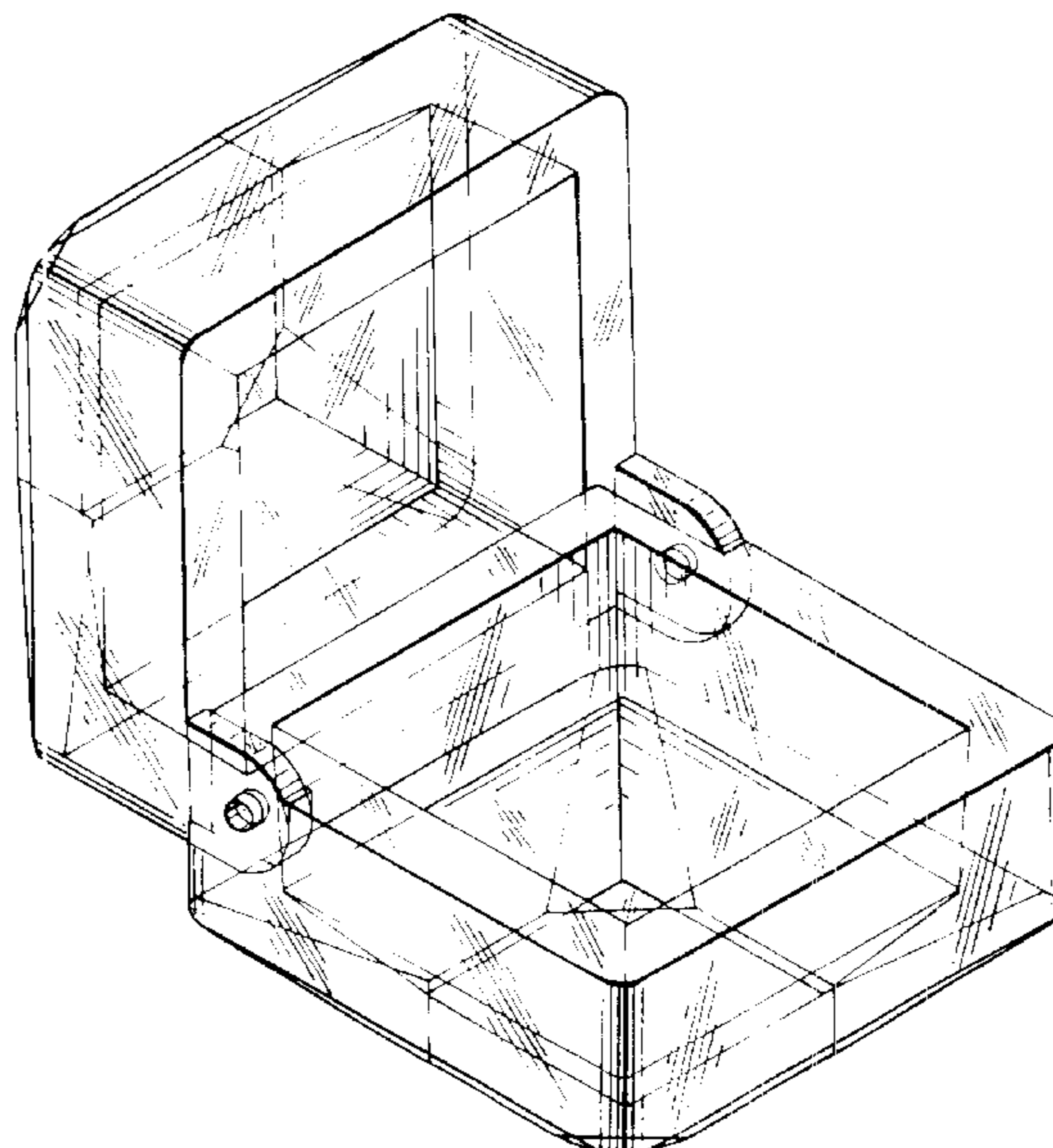
(57) **CLAIM**

The design for a hexagonal container for cosmetics, as shown and described.

DESCRIPTION

FIG. 1 is a top, front and left side perspective view of the hexagonal container for cosmetics;
FIG. 2 is a top plan view thereof the bottom plan view is a mirror image;
FIG. 3 is a front view thereof;
FIG. 4 is a right side view thereof the left side view is a mirror image;
FIG. 5 is a rear view thereof; and,
FIG. 6 is a top front & left side perspective view in an open position.

1 Claim, 2 Drawing Sheets



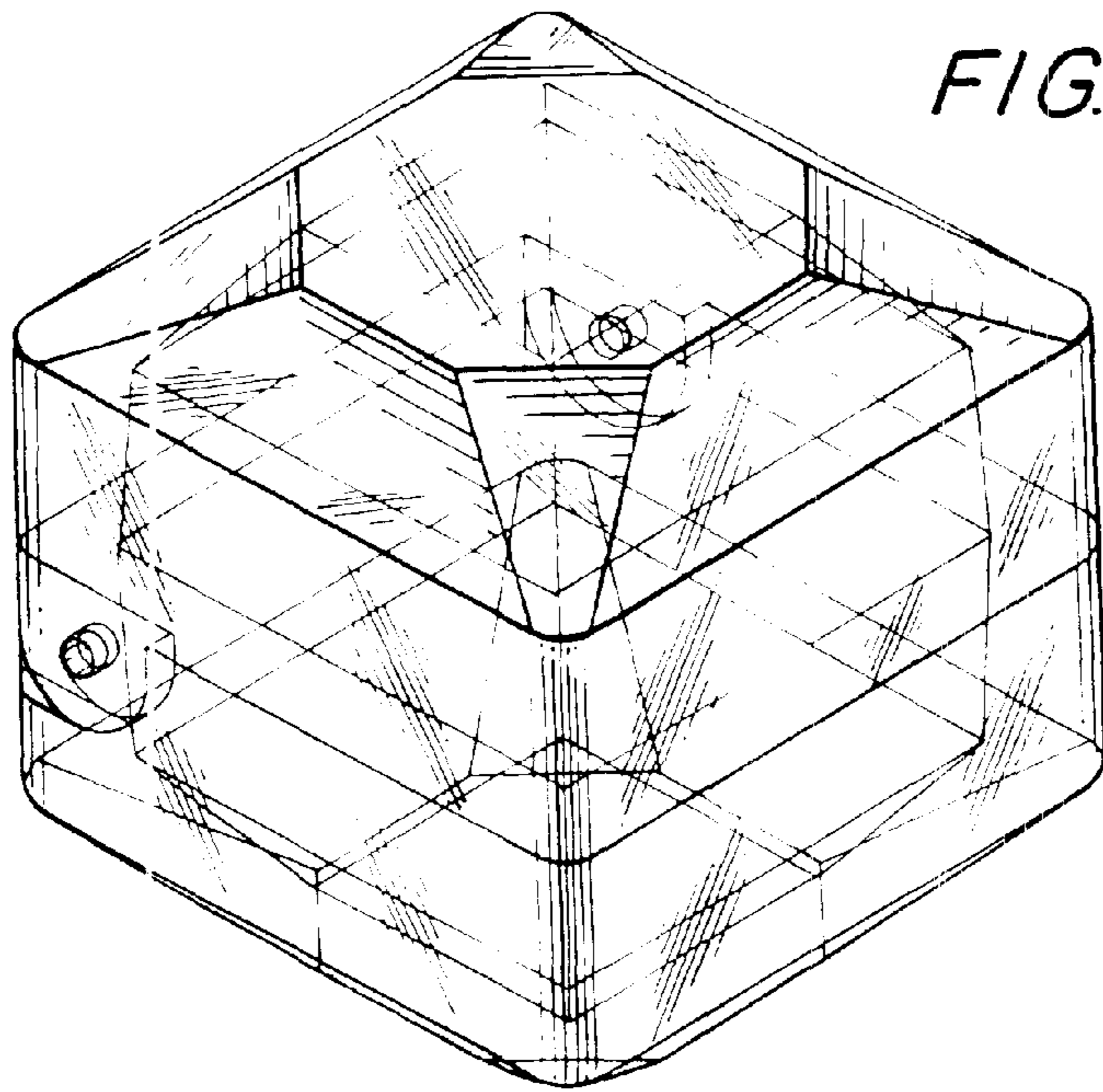


FIG. 1

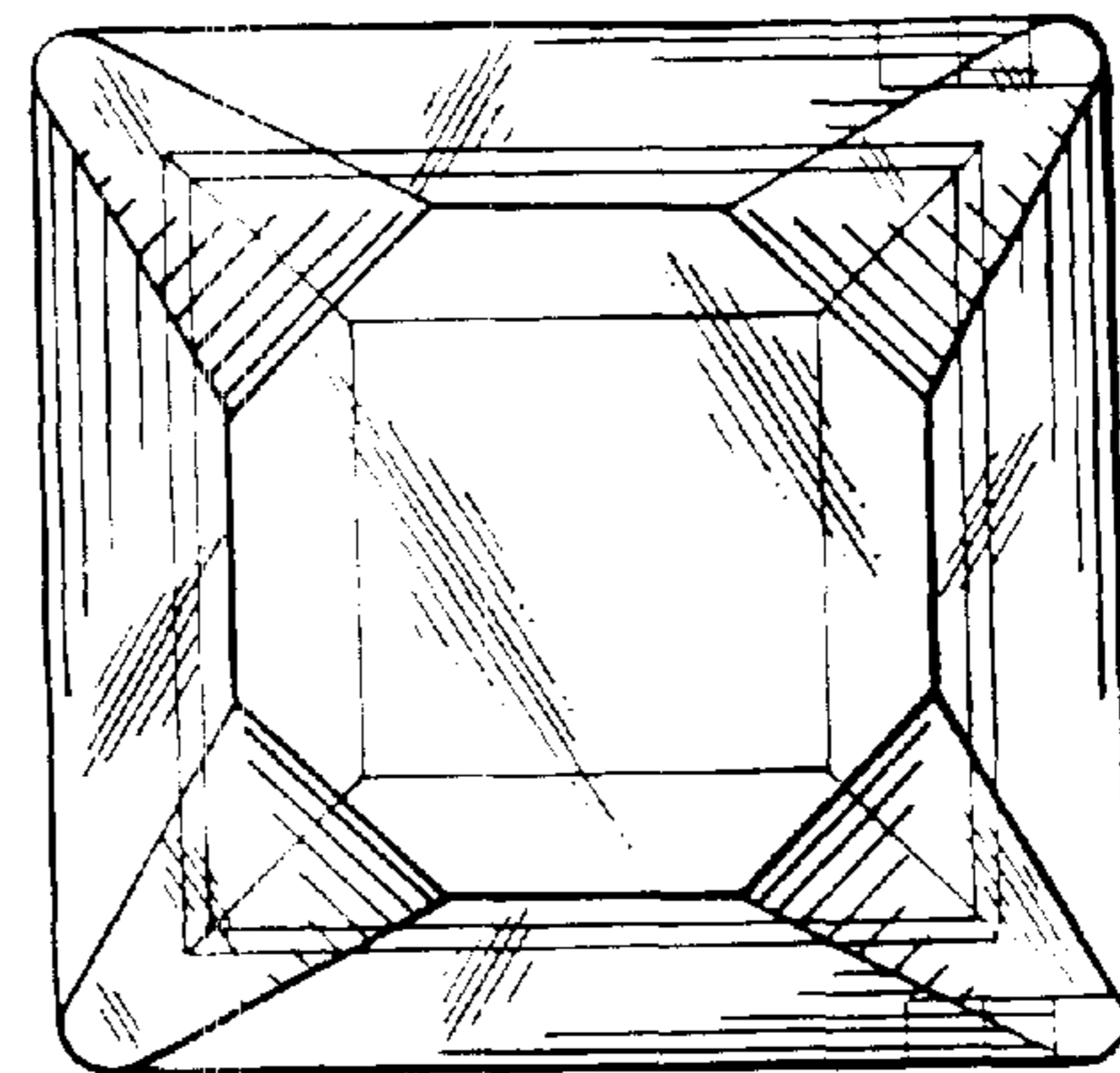


FIG. 2

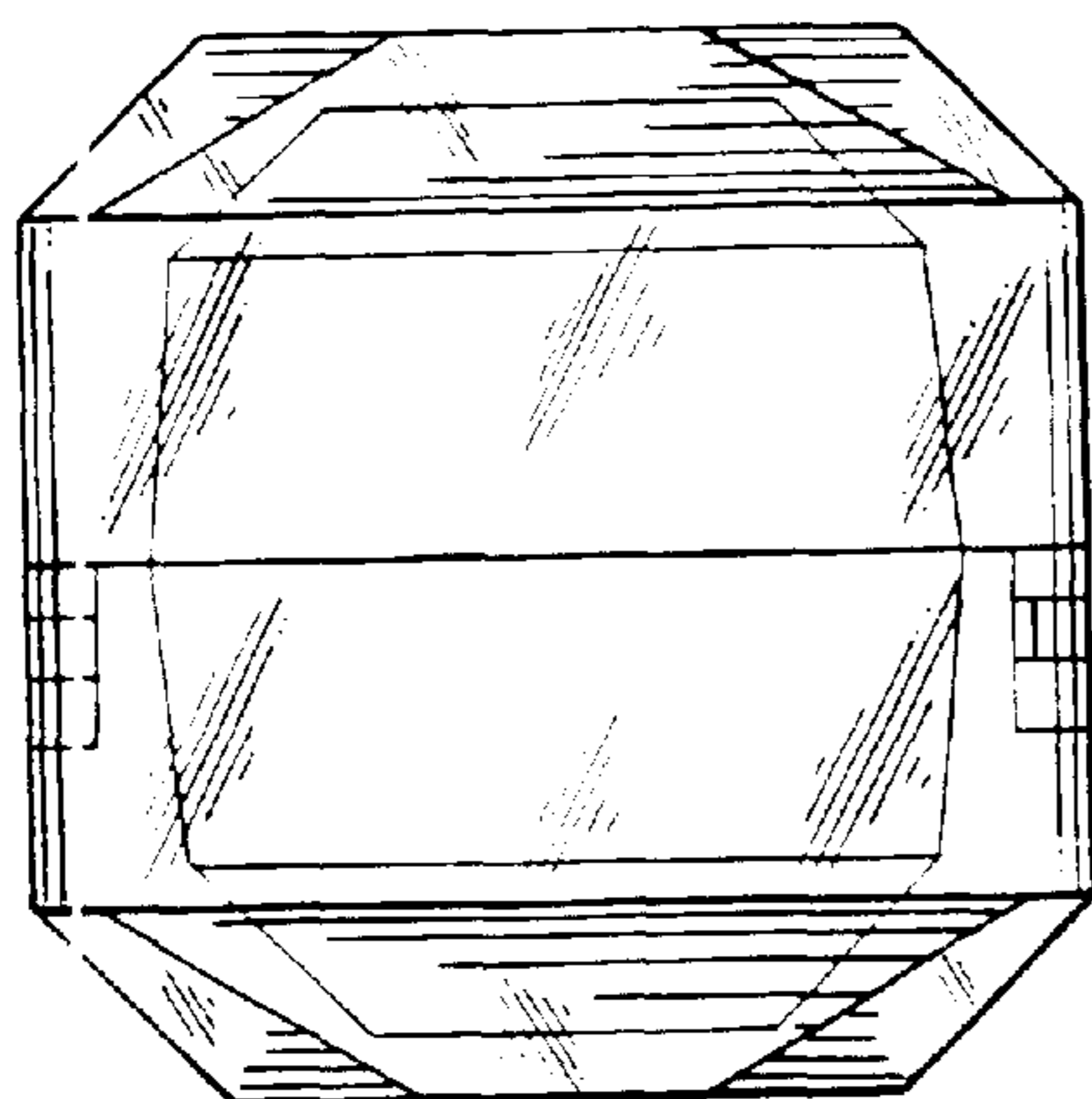


FIG. 3

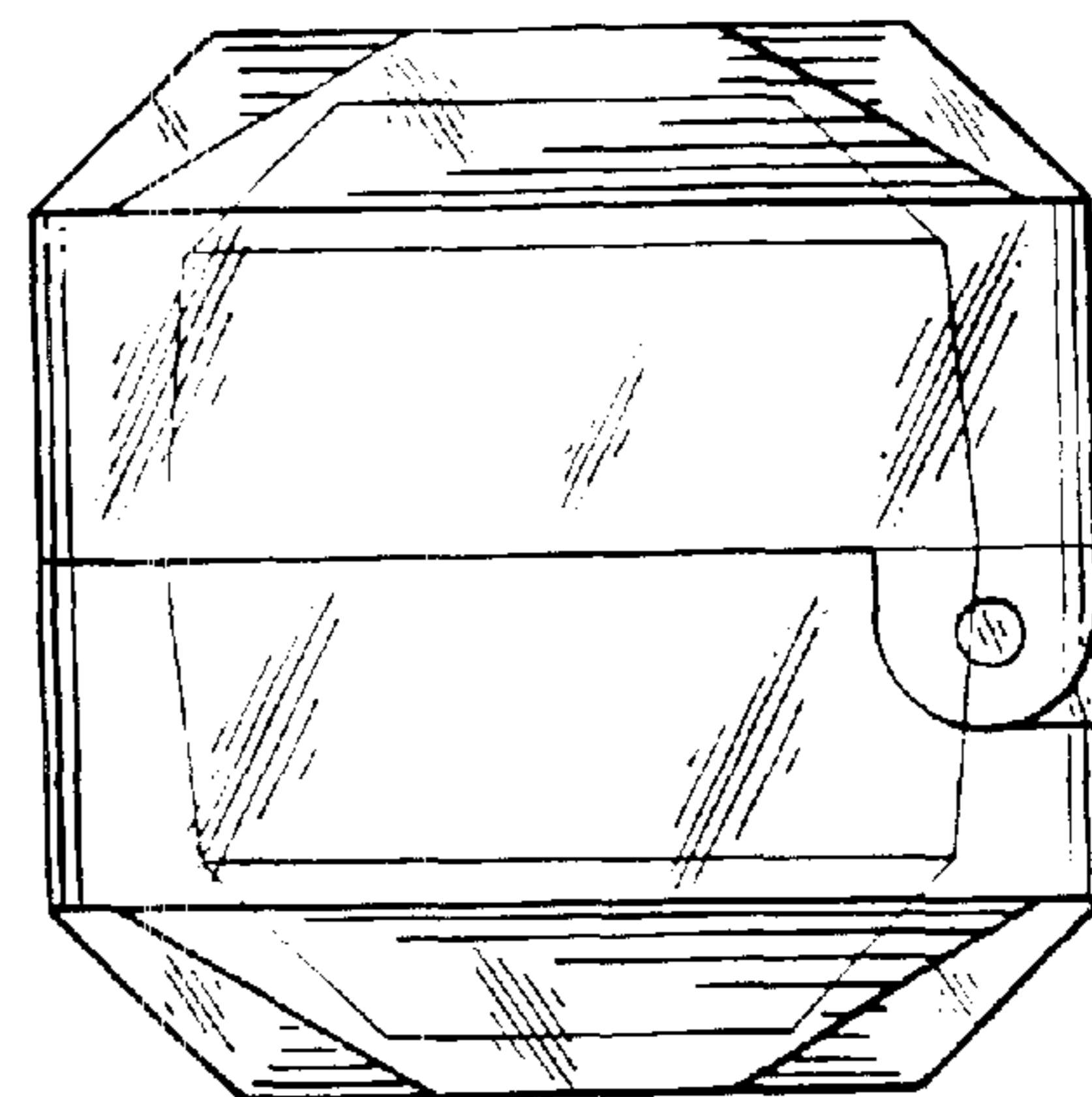


FIG. 4

FIG. 5

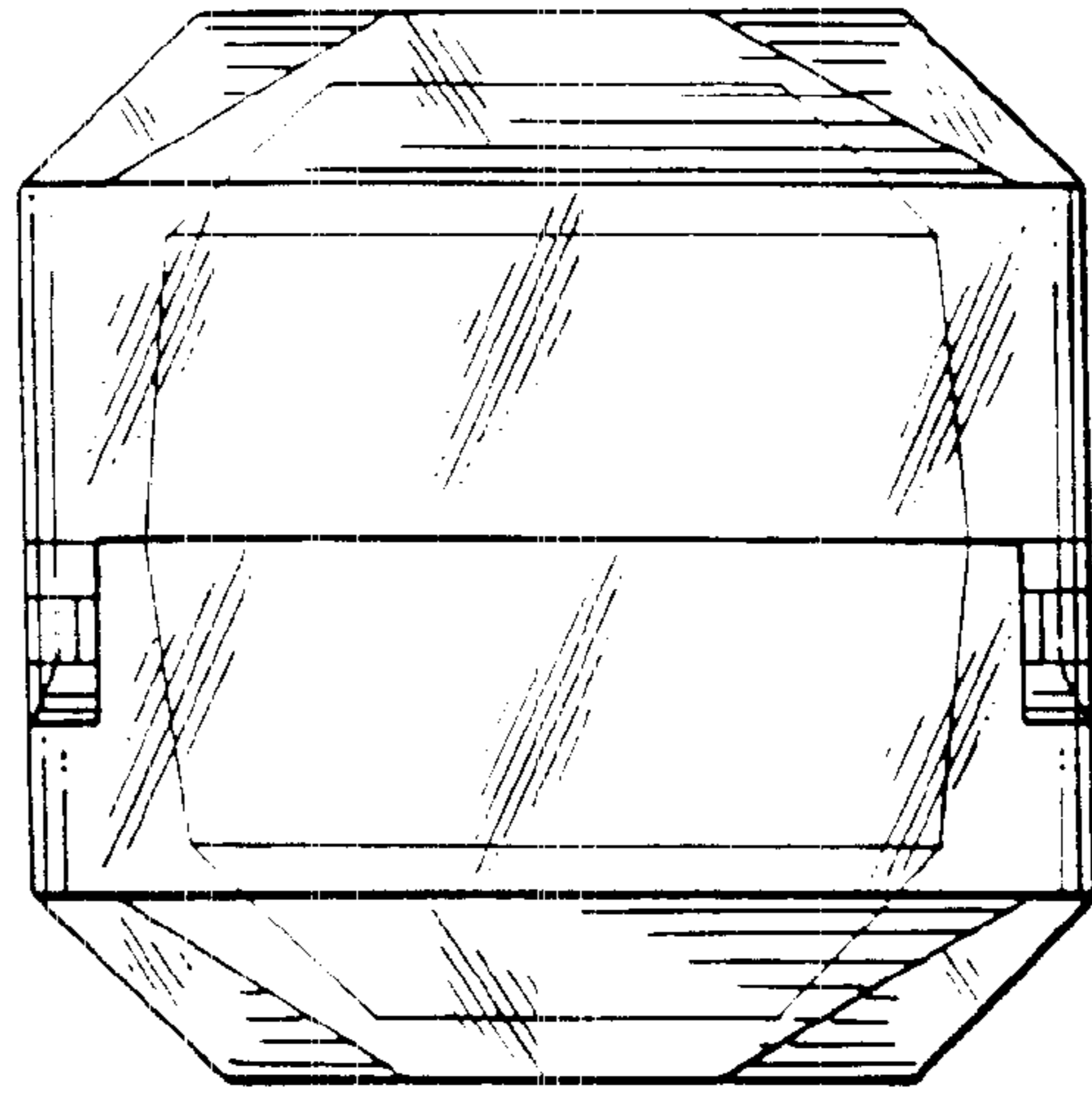


FIG. 6

