

US00D505509S

(12) **United States Design Patent**
Chen

(10) **Patent No.:** **US D505,509 S**
(45) **Date of Patent:** **** May 24, 2005**

(54) **SOLAR LIGHT**
(75) **Inventor:** **Chi Gon Chen**, Guang Zhou (CN)
(73) **Assignee:** **International Development corporation**, Southlake, TX (US)
(**) **Term:** **14 Years**

D484,630 S * 12/2003 Chen D26/67
D484,631 S 12/2003 Chen
D485,000 S * 1/2004 Chen D26/67
D485,001 S 1/2004 Chen
D485,930 S 1/2004 Chen
D485,933 S * 1/2004 Kuelbs et al. D26/67
D488,576 S 4/2004 Chen
6,719,442 B1 4/2004 Chen
D492,437 S * 6/2004 Hon et al. D26/67

(21) **Appl. No.:** **29/200,248**

FOREIGN PATENT DOCUMENTS

(22) **Filed:** **Feb. 25, 2004**

CA 99516 6/2003
CA 99517 6/2003
CA 99518 6/2003
CA 99519 6/2003
CA 100603 2/2004

(51) **LOC (7) Cl.** **26-05**

(52) **U.S. Cl.** **D26/67**

(58) **Field of Search** D26/37-50, 67-73,
D26/80-82; 362/145, 147, 153, 153.1, 186,
431-433, 806

* cited by examiner

(56) **References Cited**

Primary Examiner—Marcus A. Jackson
(74) *Attorney, Agent, or Firm*—Gardere Wynne Sewell LLP; Kenneth T. Emanuelson

U.S. PATENT DOCUMENTS

D445,209 S 7/2001 Chen
D445,210 S 7/2001 Chen
D445,524 S 7/2001 Chen
D445,525 S 7/2001 Pan
D445,939 S 7/2001 Pan
D451,620 S 12/2001 Chen
D452,029 S 12/2001 Chen
D457,979 S 5/2002 Chen
D466,243 S 11/2002 Chen
D468,470 S 1/2003 Chen
D468,471 S 1/2003 Chen
D469,907 S 2/2003 Chen
D469,908 S 2/2003 Chen
D469,909 S 2/2003 Chen
D483,138 S 12/2003 Chen

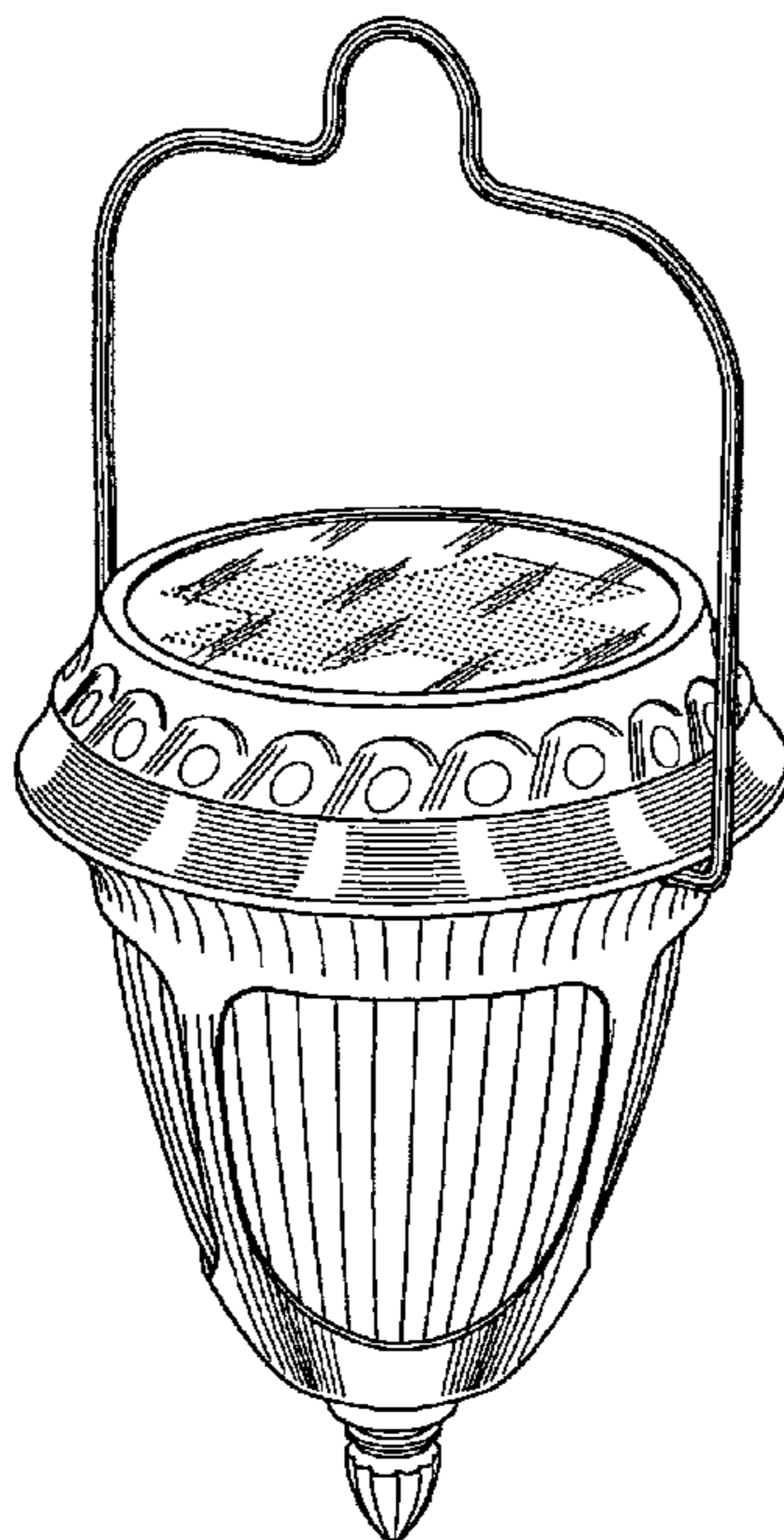
(57) **CLAIM**

The ornamental design for a solar light, as shown and described.

DESCRIPTION

FIG. 1 is a three-dimensional view of one preferred embodiment of a solar light in accordance with my invention; FIG. 2 is a front view of the solar light shown in FIG. 1; FIG. 3 is a side view of the solar light shown in FIG. 1; FIG. 4 is a top view of the solar light shown in FIG. 1; and, FIG. 5 is a bottom view of the solar light shown in FIG. 1.

1 Claim, 2 Drawing Sheets



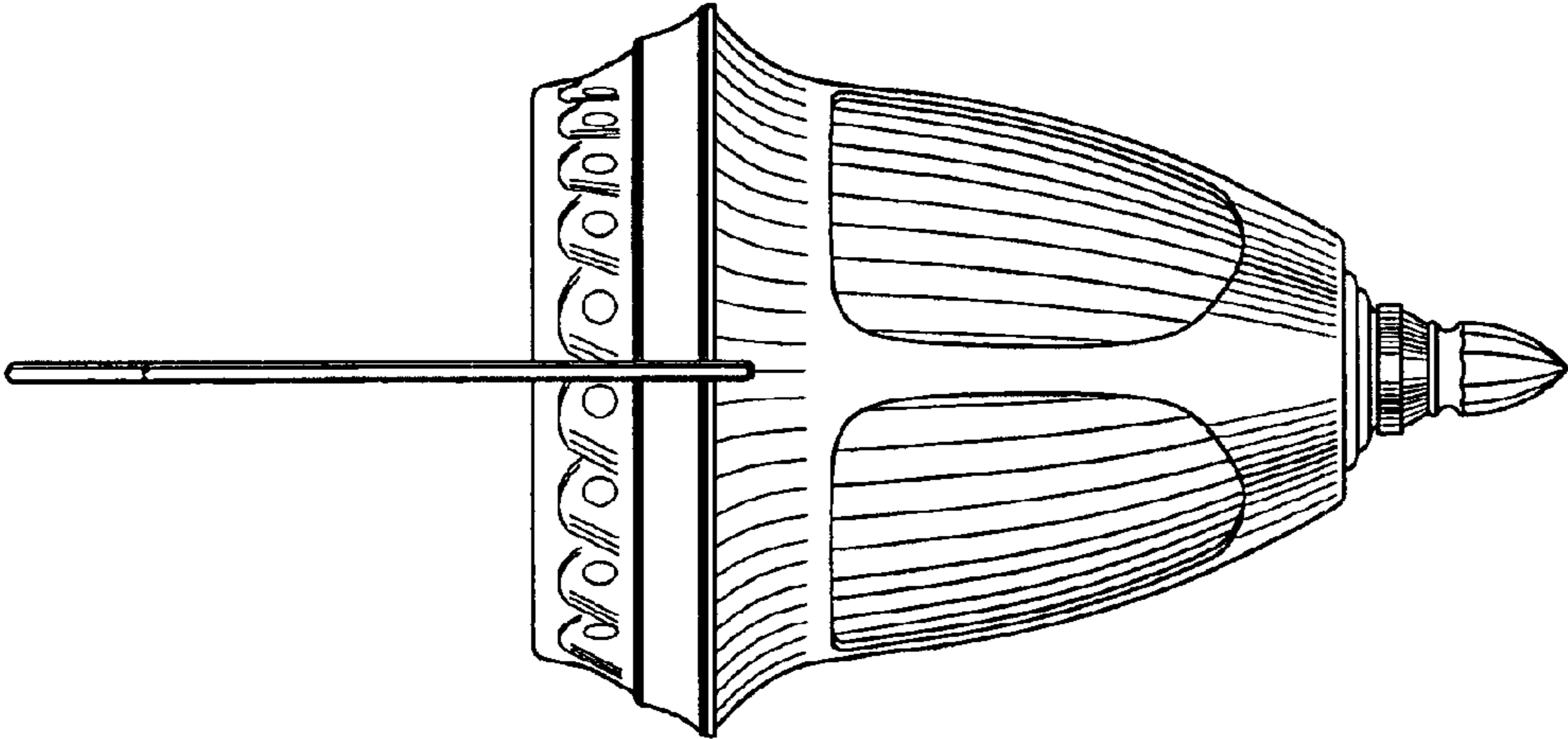


Fig.3

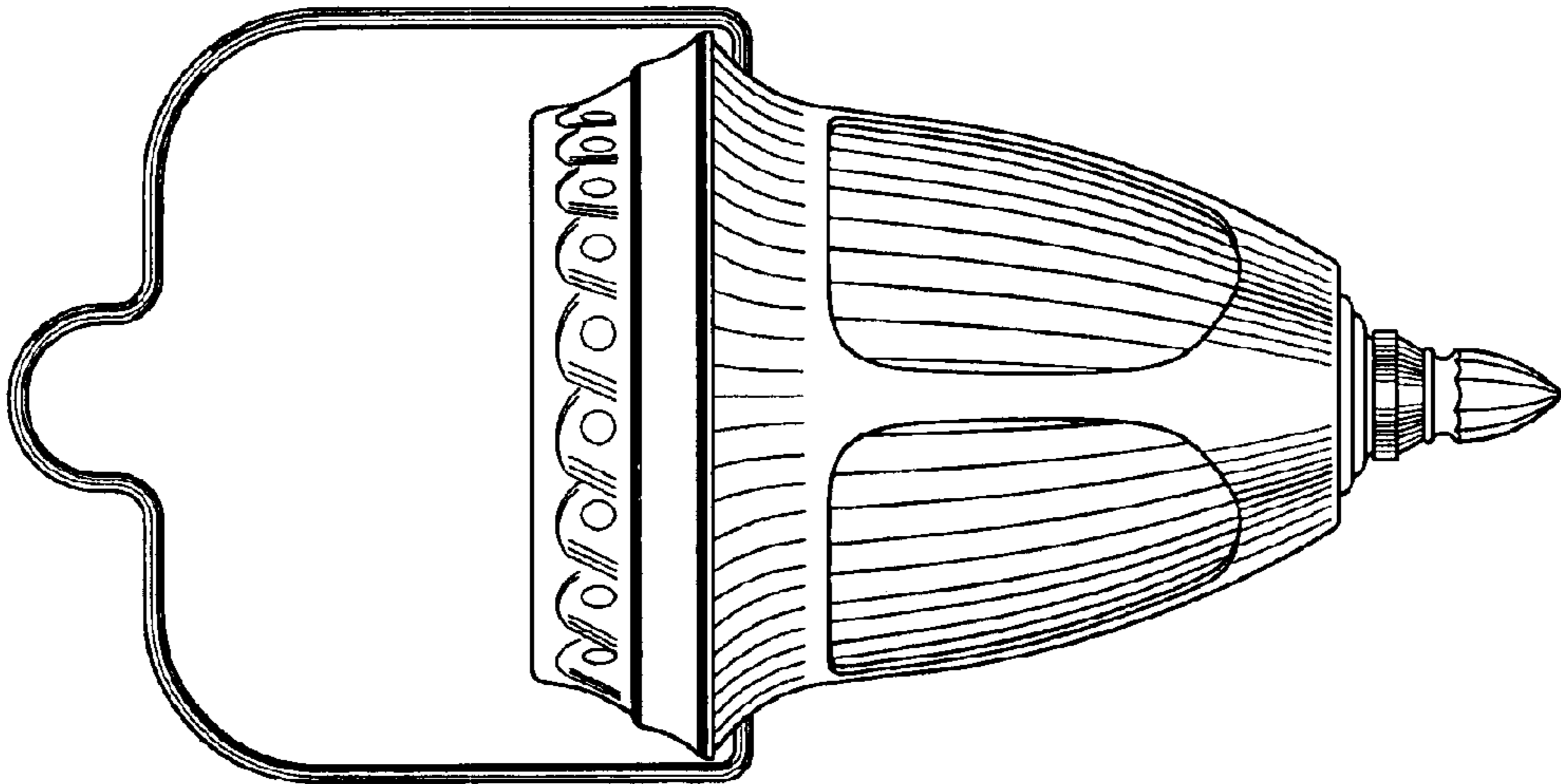


Fig.2

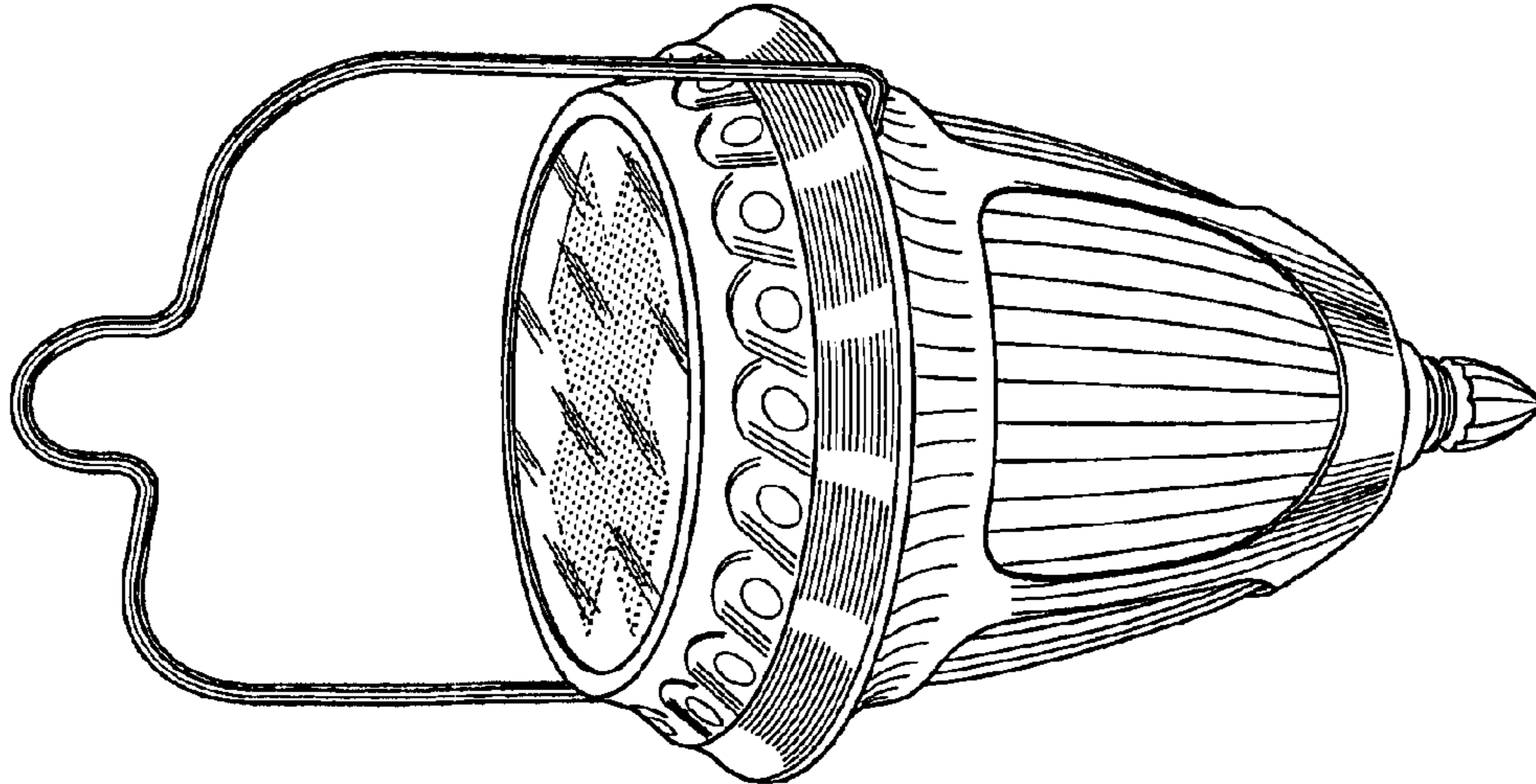


Fig.1

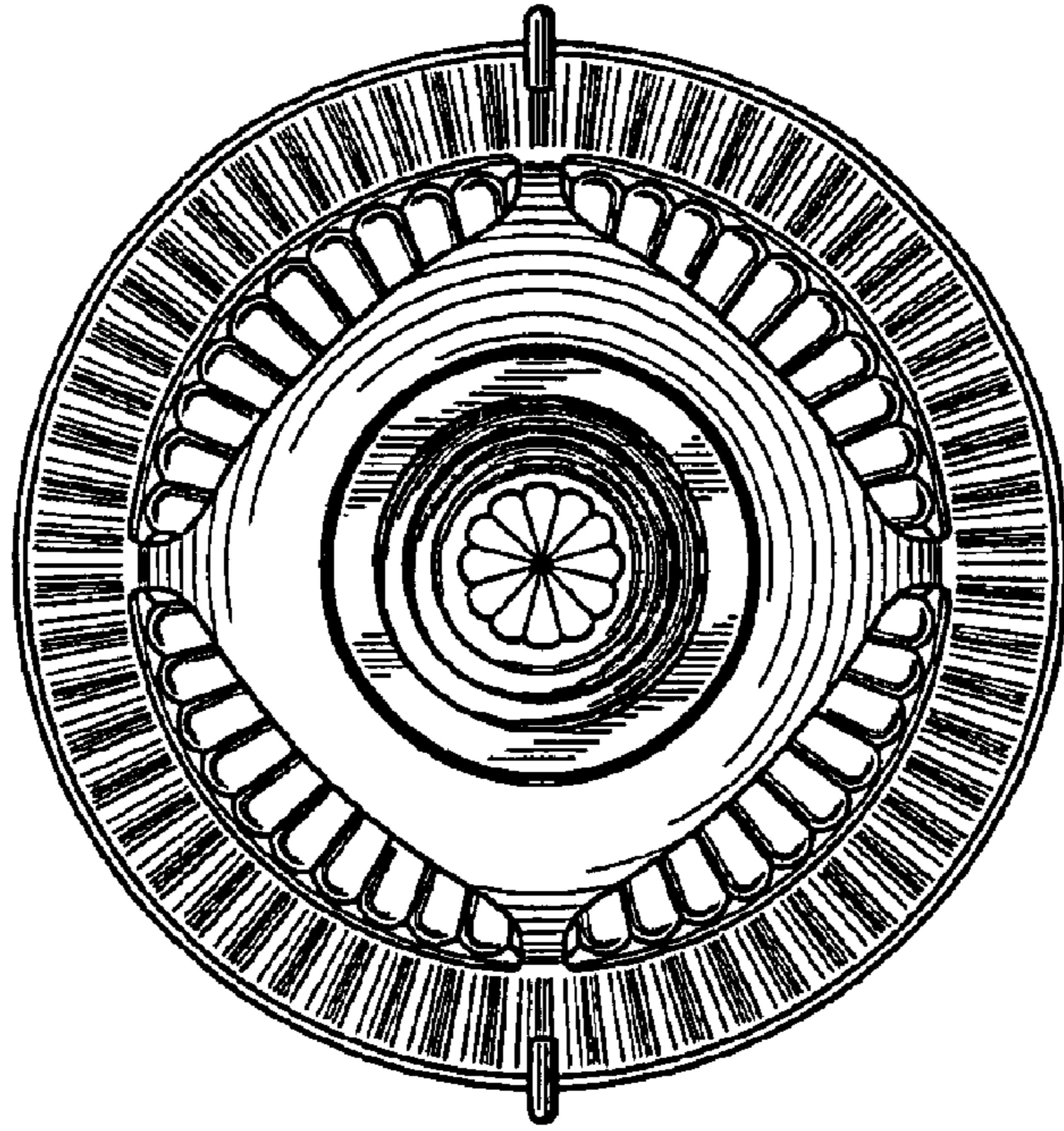


Fig. 5

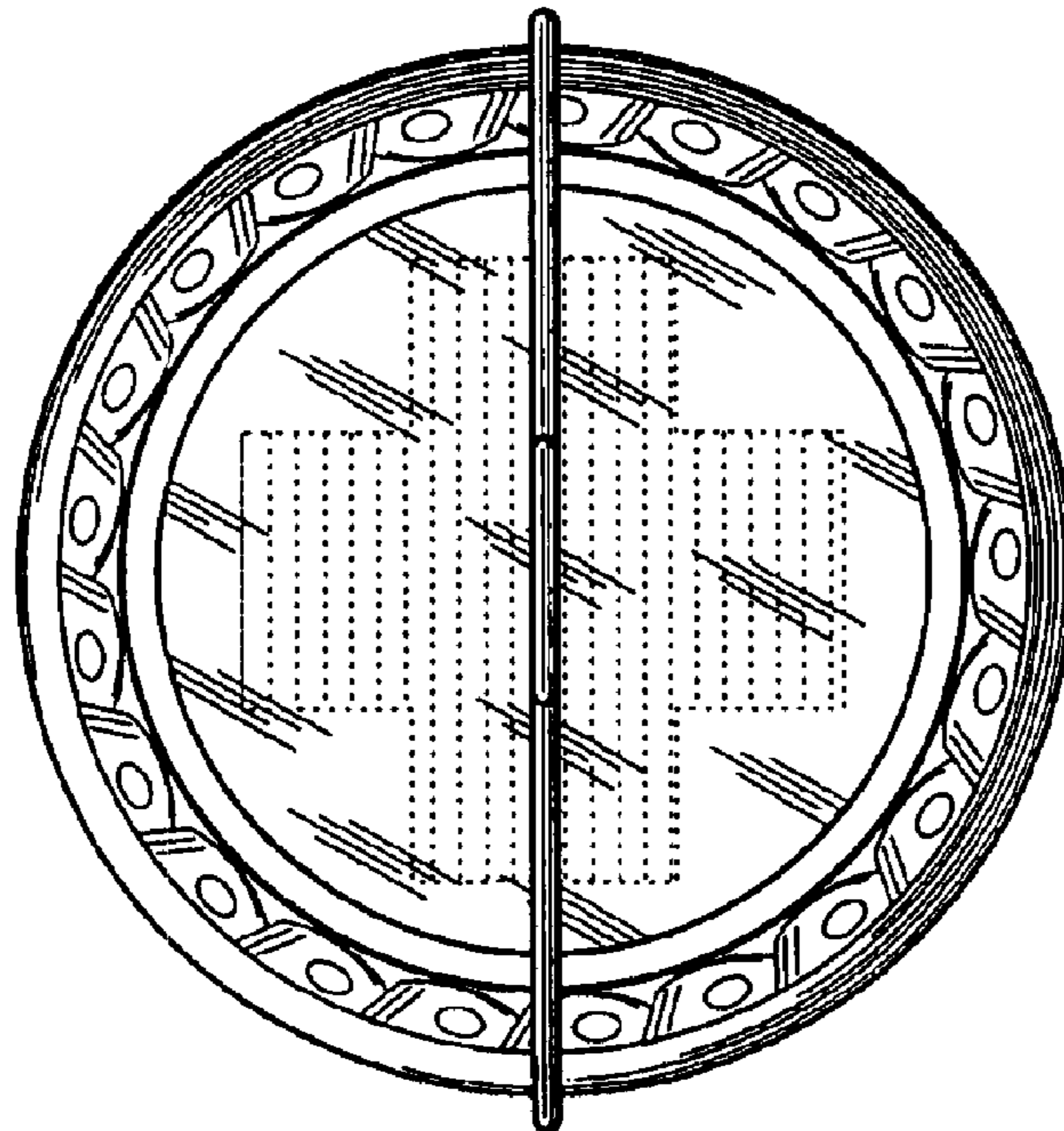


Fig. 4