



US00D505507S

(12) **United States Design Patent**
Han-Shim

(10) **Patent No.:** **US D505,507 S**

(45) **Date of Patent:** **** May 24, 2005**

(54) **SPOTLIGHT**

D463,592 S * 9/2002 Han-Shim D26/42

(76) **Inventor:** **Cheng Han-Shim**, Unit A-C, 7th Floor
Luk Hop Industrial Building No. 8 Luk
Hop Street, San Po King, Kowloon
(HK)

* cited by examiner

Primary Examiner—Marcus A. Jackson

(74) *Attorney, Agent, or Firm*—Roy, Kiesel, Keegan &
DeNicola

(**) **Term:** **14 Years**

(57) **CLAIM**

(21) **Appl. No.:** **29/197,312**

The ornamental design for a spotlight, as shown and
described.

(22) **Filed:** **Jan. 13, 2004**

DESCRIPTION

(51) **LOC (7) Cl.** **26-02**

(52) **U.S. Cl.** **D26/42**

(58) **Field of Search** D26/37-50; 362/157,
362/158, 171-174, 183-208

FIG. 1 is a perspective view of a spotlight incorporating the
inventive design.

FIG. 2 is a top view of the spotlight of FIG. 1.

FIG. 3 is a bottom (opposite-FIG. 2) view of the spotlight of
FIG. 1.

FIG. 4 is a front view of the spotlight of FIG. 1.

FIG. 5 is a back view of the spotlight of FIG. 1.

FIG. 6 is a left side view of the spotlight of FIG. 1; and,

FIG. 7 is a right side view of the spotlight of FIG. 1.

(56) **References Cited**

U.S. PATENT DOCUMENTS

D418,237 S	*	12/1999	Yuen	D26/42
D432,691 S	*	10/2000	Meoli, Jr.	D26/42
D440,334 S	*	4/2001	Yuen	D26/42
D445,207 S		7/2001	Yuen		

1 Claim, 4 Drawing Sheets

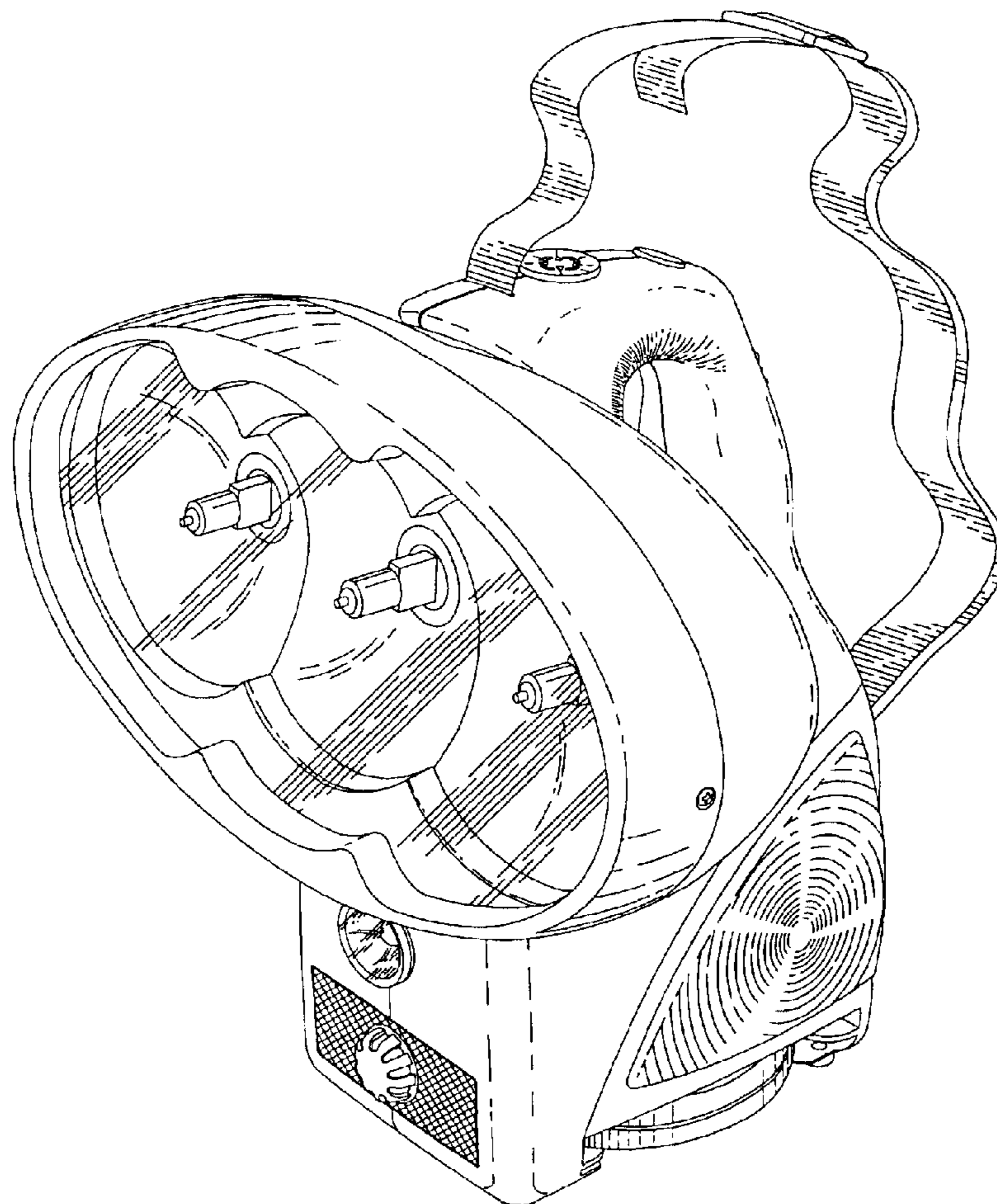
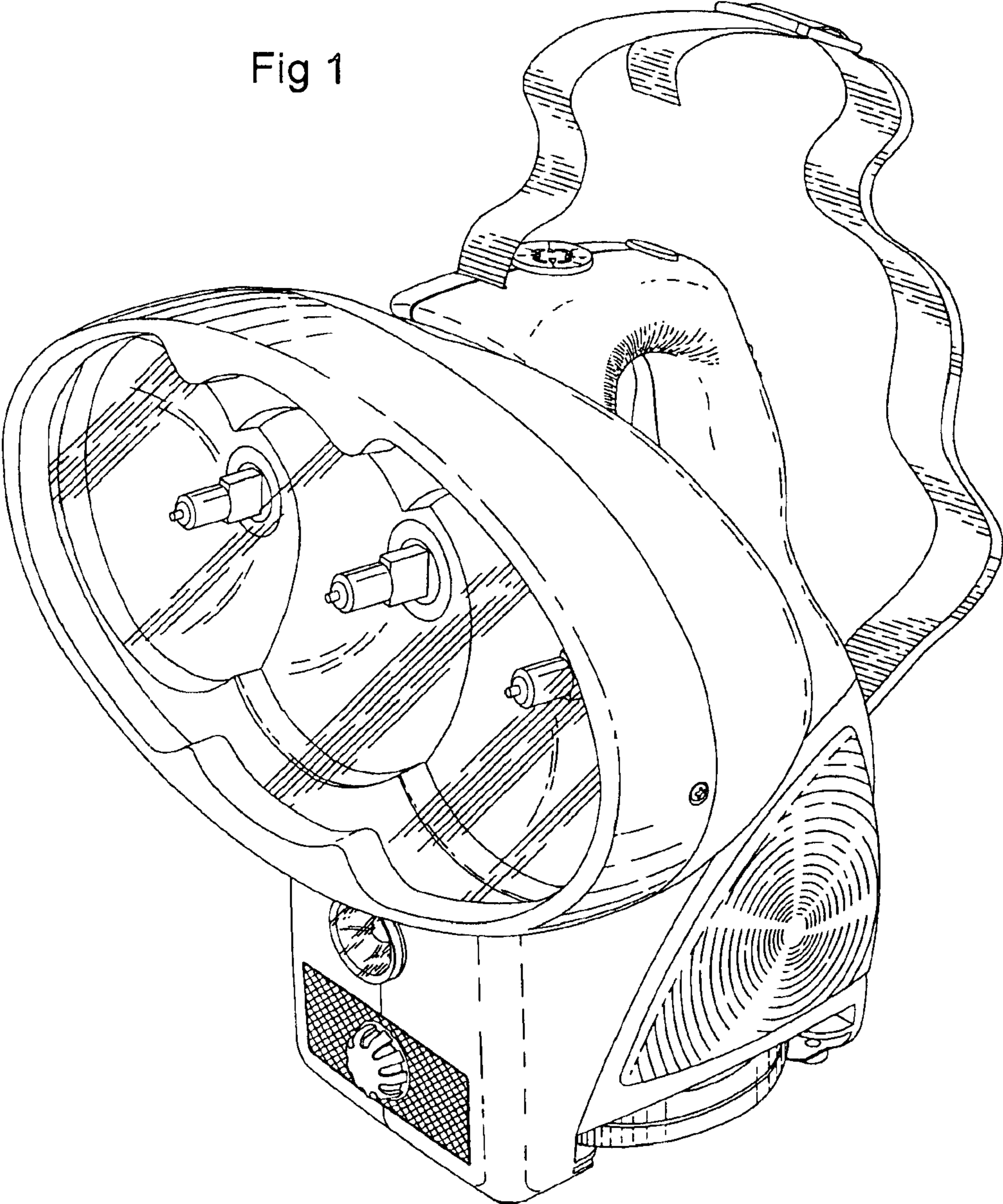


Fig 1



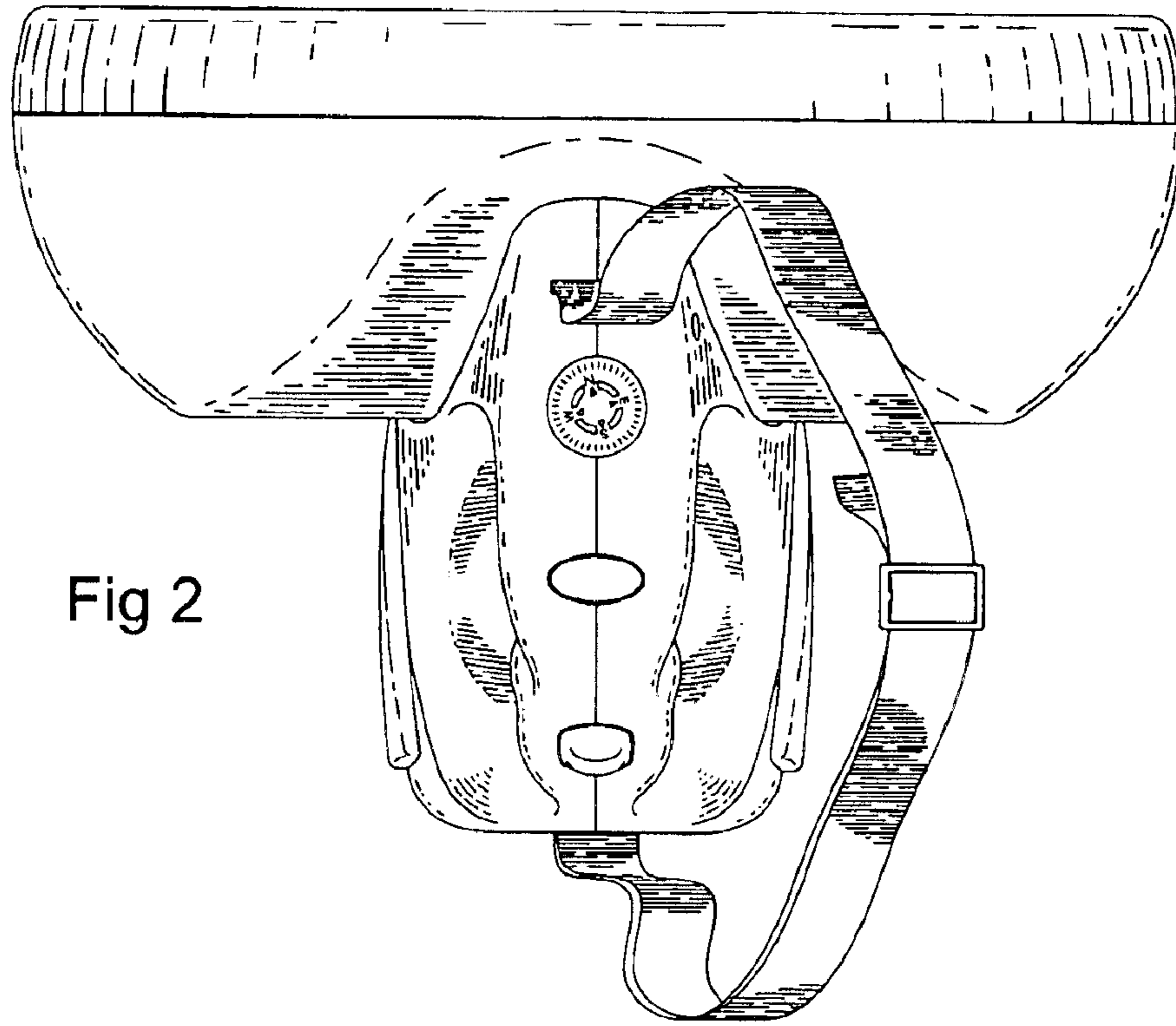


Fig 2

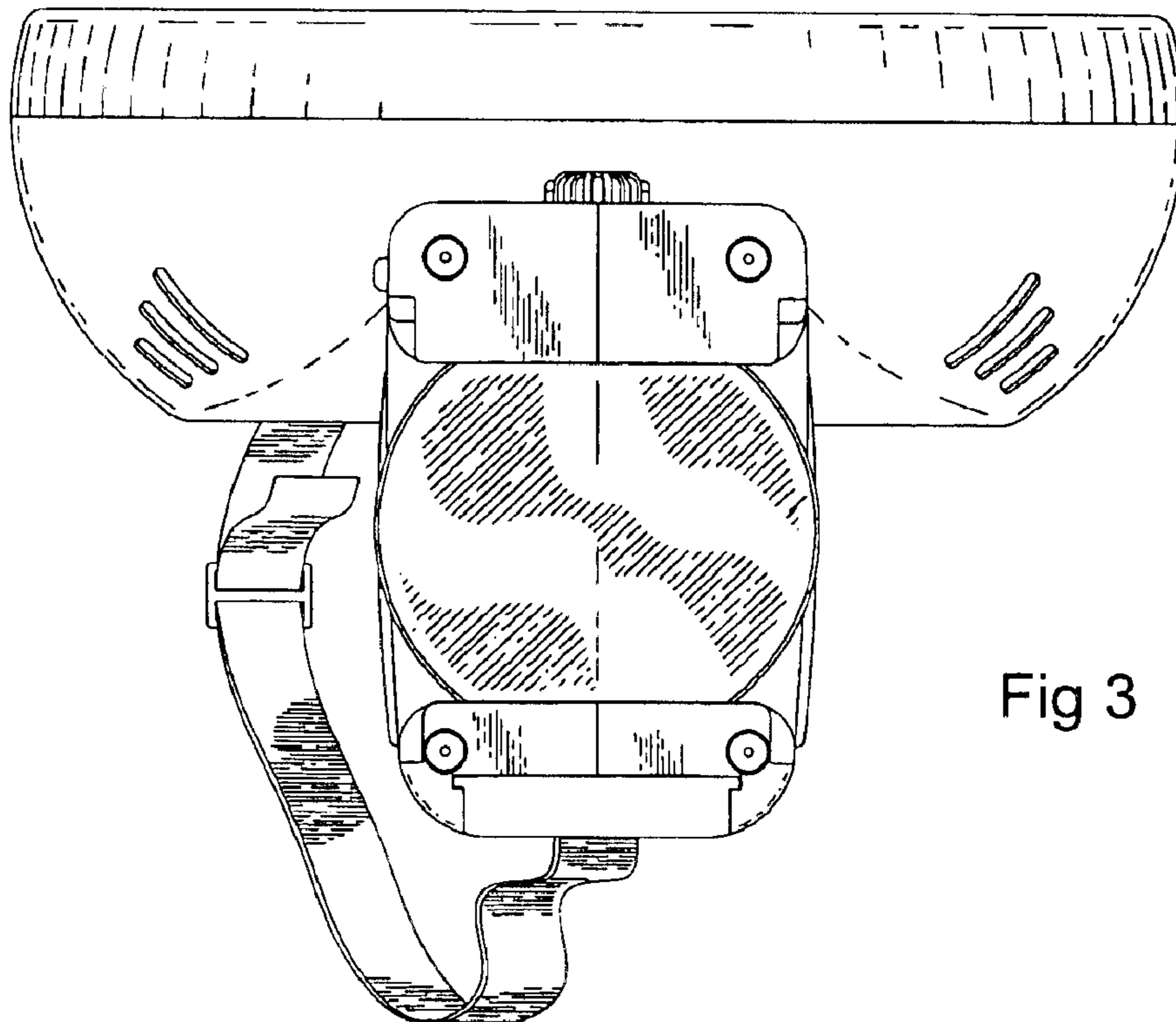


Fig 3

Fig 4

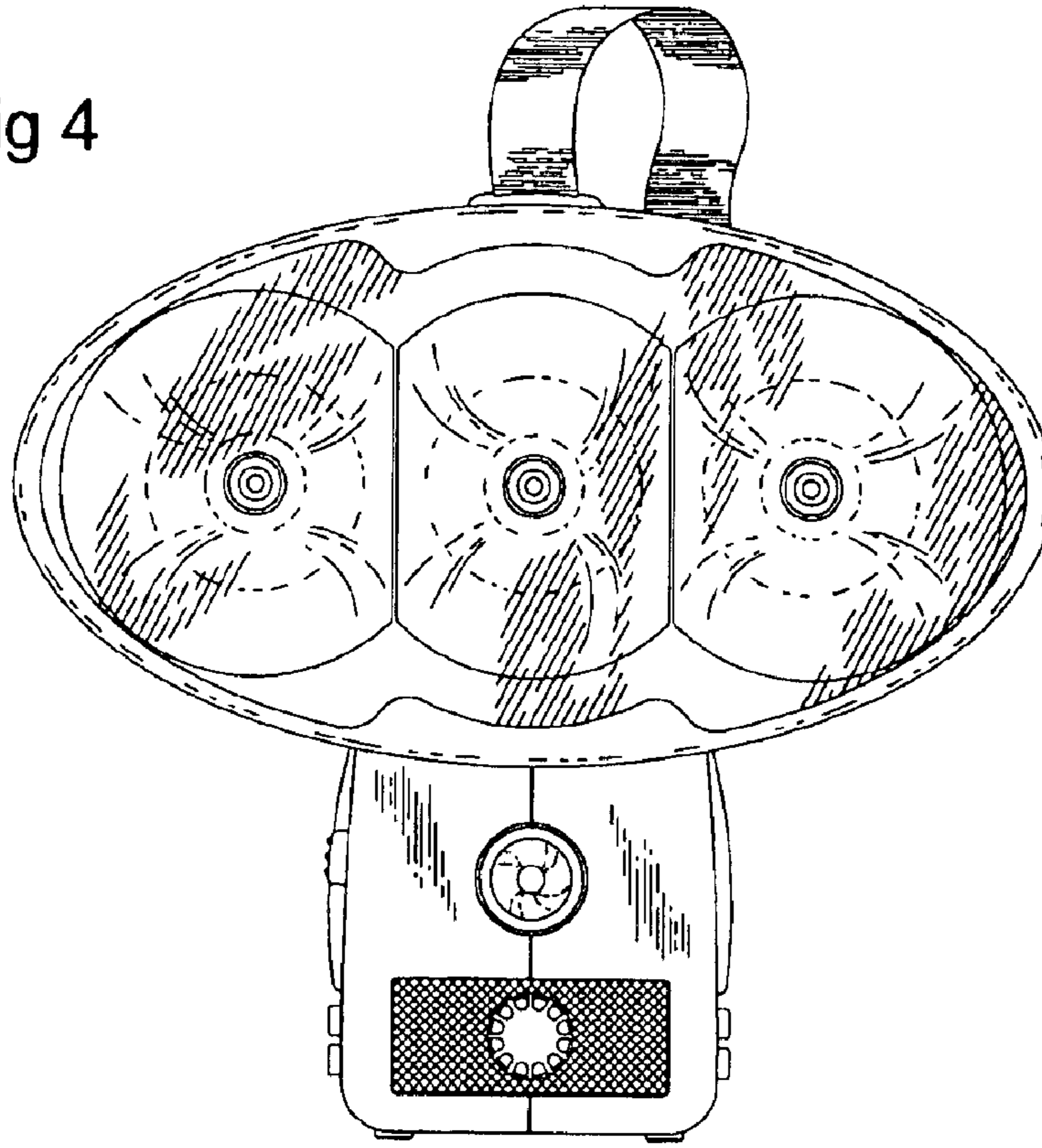


Fig 5

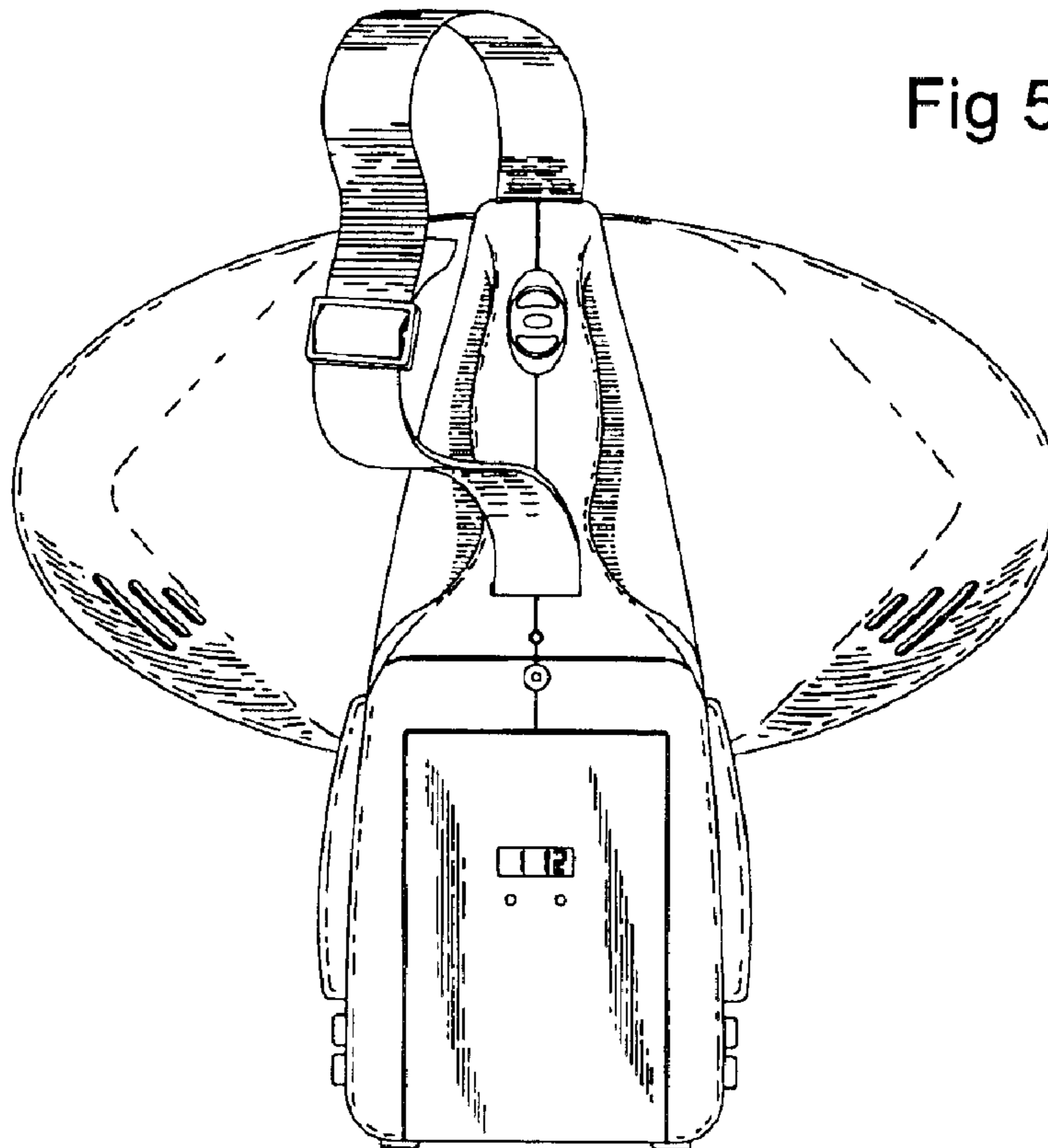


Fig 6

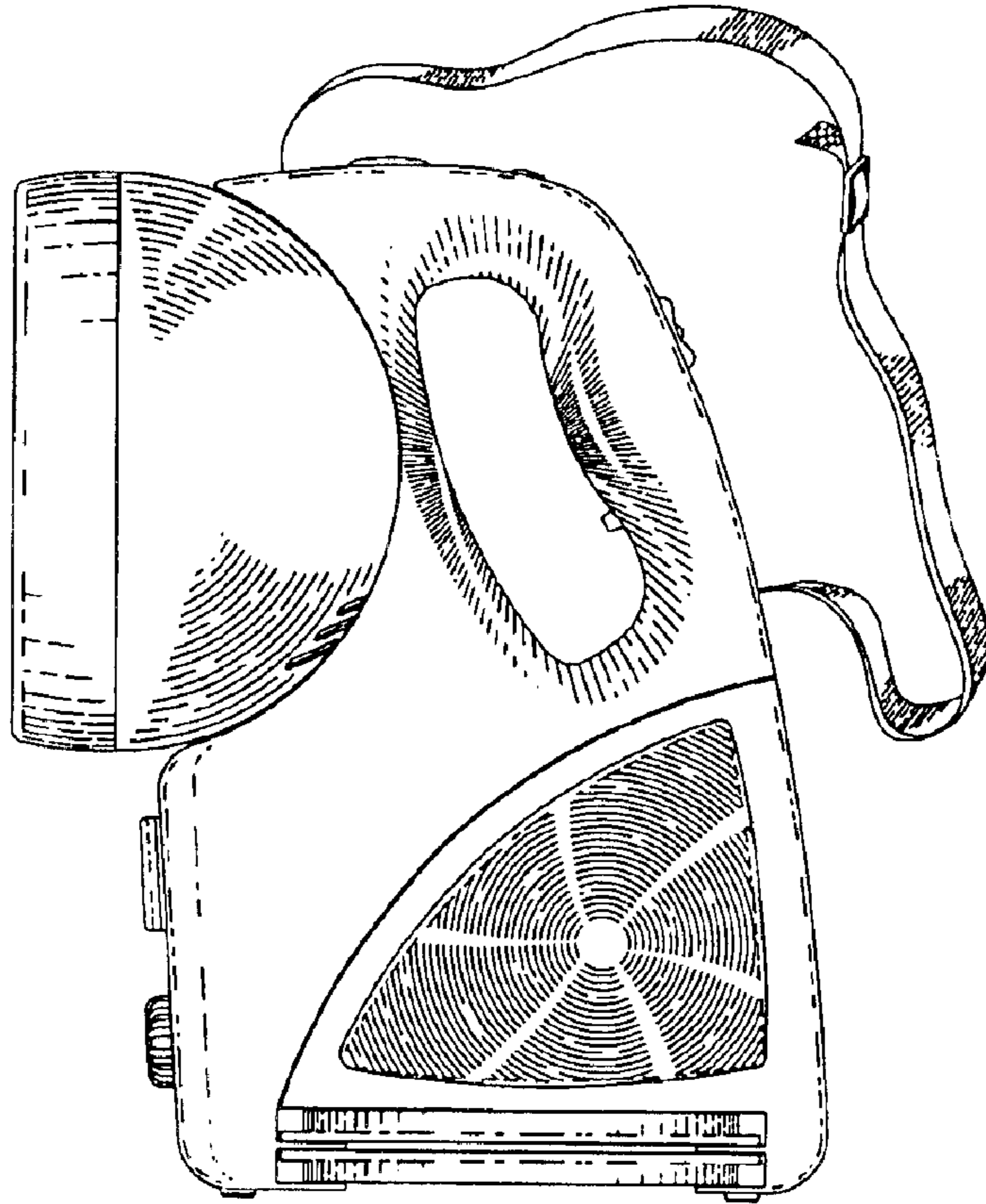


Fig 7

