

US00D505504S

(12) **United States Design Patent**
Rosian

(10) **Patent No.:** **US D505,504 S**

(45) **Date of Patent:** **** May 24, 2005**

(54) **BALUSTER DESIGN**

(76) **Inventor:** **Michael J. Rosian**, P.O. Box 1041,
Orland Park, IL (US) 60462

(**) **Term:** **14 Years**

(21) **Appl. No.:** **29/200,101**

(22) **Filed:** **Feb. 24, 2004**

(51) **LOC (7) Cl.** **25-01**

(52) **U.S. Cl.** **D25/126**

(58) **Field of Search** D25/38, 126; 256/65.01,
256/66, 65.02, 65.11, 65.12; 52/720.2, 730.1,
736.1

D420,152 S	2/2000	Erwin	
D422,369 S	4/2000	DeSouza	
D426,650 S	6/2000	Michael	
D438,990 S	3/2001	Alonso	
D456,530 S	4/2002	Erwin	
D457,660 S	5/2002	Erwin	
D459,008 S	* 6/2002	Erwin D25/126
6,427,403 B1	8/2002	Tambakis	
D463,044 S	* 9/2002	Erwin D25/126
6,494,438 B1	12/2002	Noirot	
D471,650 S	3/2003	Dani	

* cited by examiner

Primary Examiner—Doris Clark

(74) *Attorney, Agent, or Firm*—McAndrews, Held & Malloy, Ltd.

(56) **References Cited**

U.S. PATENT DOCUMENTS

D291,492 S	8/1987	Noyce
D293,025 S	12/1987	Noyce
D293,131 S	12/1987	Noyce
D293,132 S	12/1987	Noyce
D304,375 S	10/1989	Manzo
D308,107 S	5/1990	Manzo
D323,402 S	1/1992	Fitts
D344,142 S	2/1994	Bass
5,676,013 A	10/1997	Kahlau
D385,733 S	11/1997	Bass
5,876,021 A	3/1999	Spence
D415,577 S	10/1999	DeSouza
D415,578 S	10/1999	DeSouza
D415,579 S	10/1999	DeSouza

(57) **CLAIM**

I claim the ornamental design for the baluster, as shown and described.

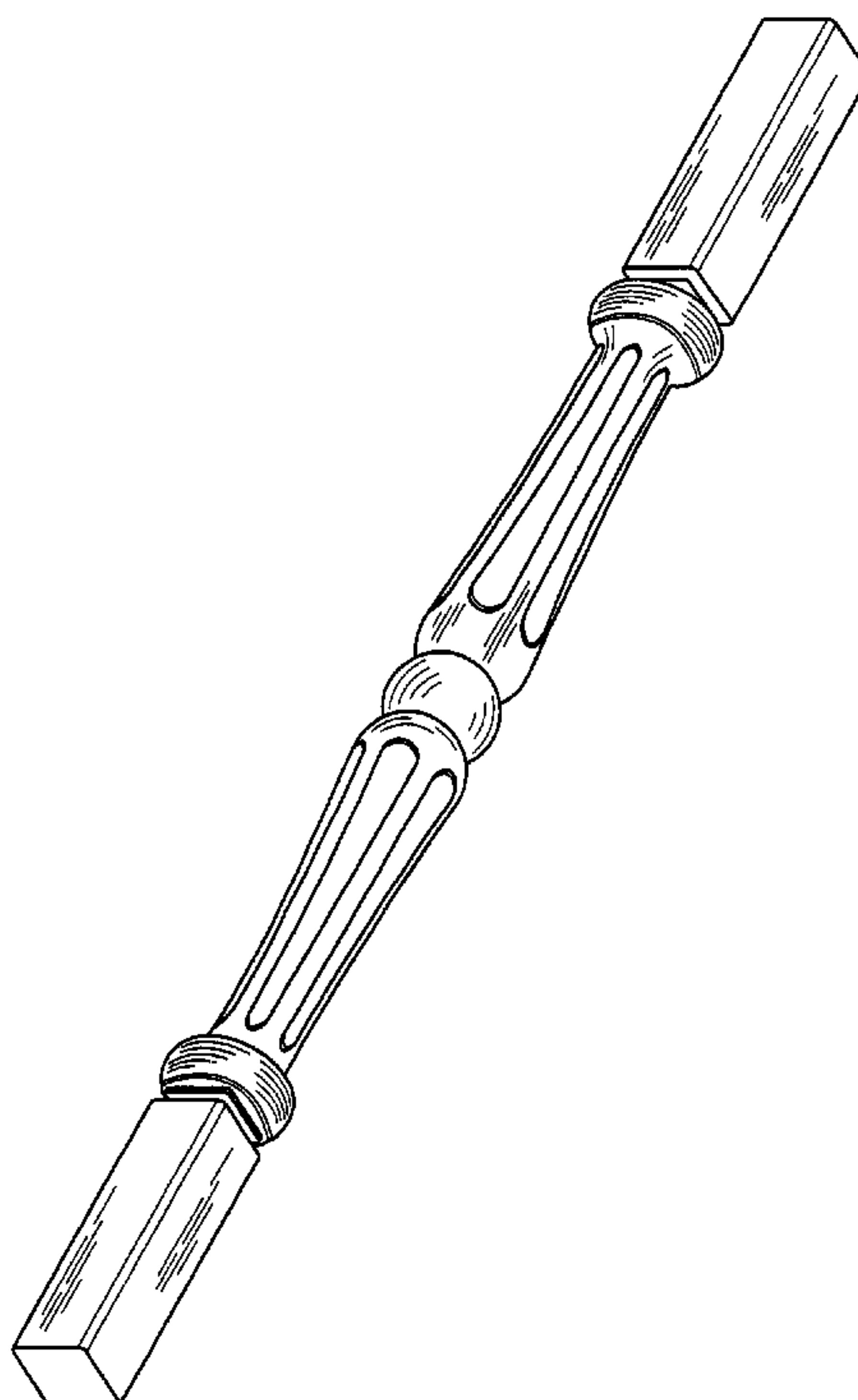
DESCRIPTION

The present invention is the ornamental design for a baluster. The nature and environmental use of the claimed design is as follows: The baluster(s) is usually disposed between a top rail and a bottom surface, which may be a bottom rail or a floor, stair, deck or the ground.

FIG. 1 is a perspective view of a baluster according to the present invention; and,

FIG. 2 is a side view of the baluster.

1 Claim, 2 Drawing Sheets



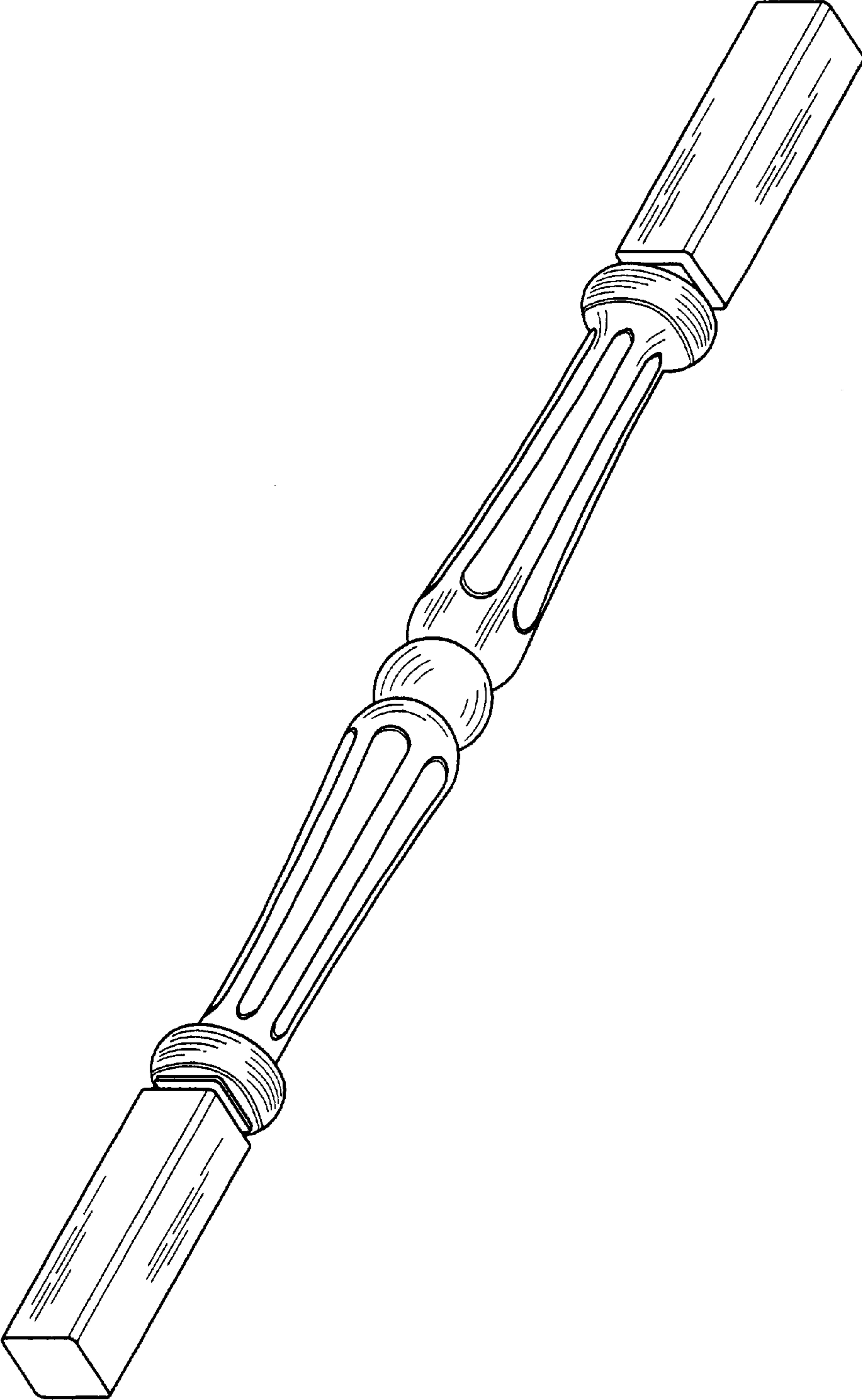


FIG. 1

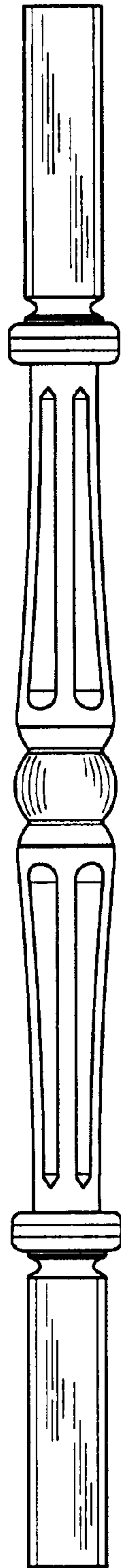


FIG. 2