



US00D505501S

(12) **United States Design Patent** (10) **Patent No.:** **US D505,501 S**
Cole (45) **Date of Patent:** **** May 24, 2005**

(54) **WINDOW COMPONENT EXTRUSION**

(75) Inventor: **Douglas L. Cole**, Seattle, WA (US)

(73) Assignee: **Mikron Industries, Inc.**, Kent, WA (US)

(**) Term: **14 Years**

(21) Appl. No.: **29/207,464**

(22) Filed: **Jun. 14, 2004**

(51) **LOC (7) Cl.** **25-01**

(52) **U.S. Cl.** **D25/119**

(58) **Field of Search** D25/124, 119, D25/125; 52/204.1; 49/DIG. 2, 504

(56) **References Cited**

U.S. PATENT DOCUMENTS

3,662,494 A *	5/1972	Sitterly	49/504
4,578,905 A *	4/1986	Hout	49/504
D469,884 S *	2/2003	Franson	D25/119

* cited by examiner

Primary Examiner—Doris Clark

(74) *Attorney, Agent, or Firm*—Black Lowe & Graham PLLC

(57) **CLAIM**

The ornamental design for a window component extrusion, as shown and described.

DESCRIPTION

FIG. 1 is a top right perspective view of the window component extrusion which is broken in the center indicating indefinite length.

FIG. 2 is a bottom left perspective view of the window component extrusion shown in FIG. 1 .

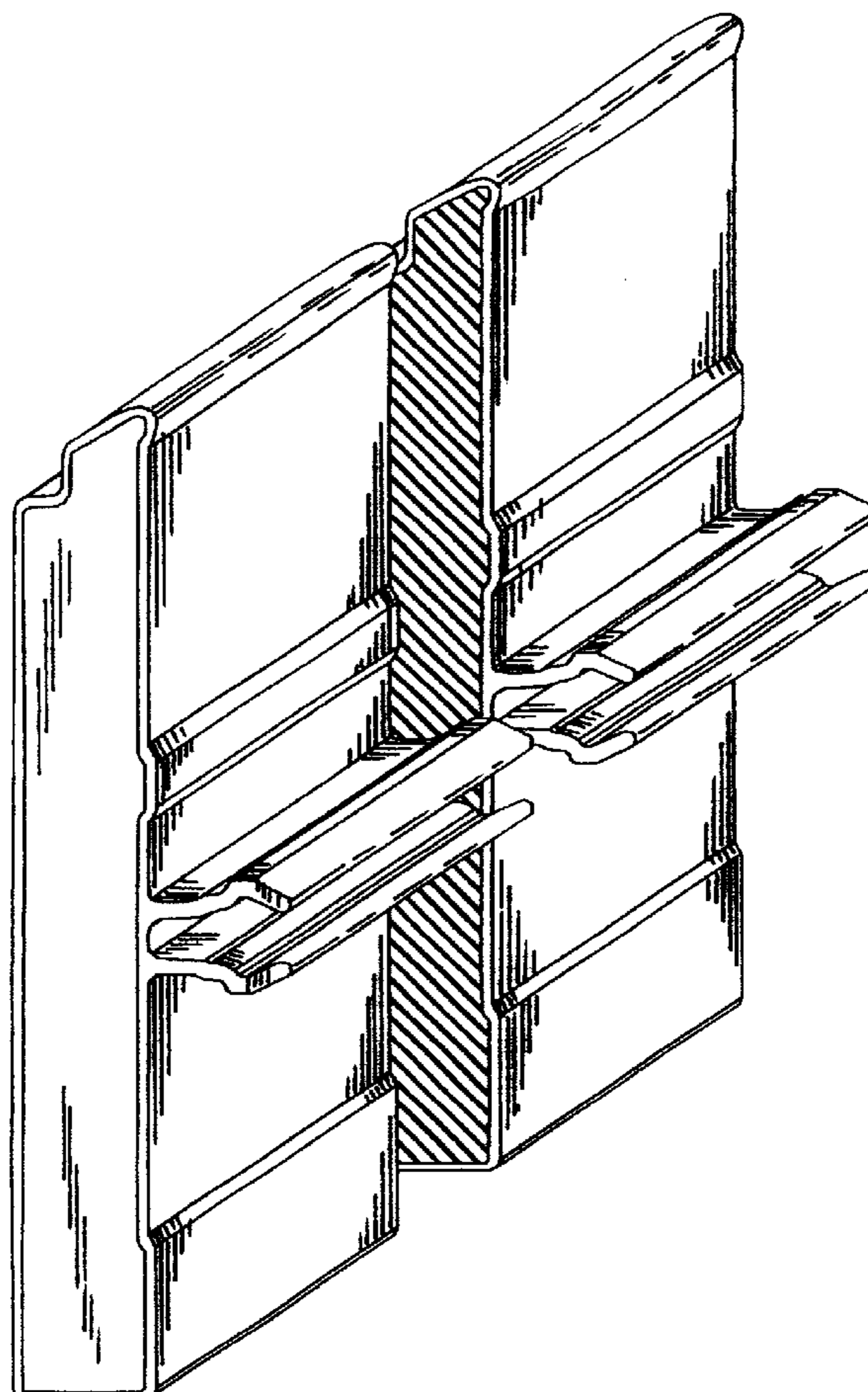
FIG. 3 is a top right perspective view of a second embodiment of the window component extrusion which is broken in the center indicating indefinite length.

FIG. 4 is a bottom left perspective view of the window component extrusion shown in FIG. 3.

FIG. 5 is a top right perspective view of a third embodiment of the window component extrusion which is broken in the center indicating indefinite length; and,

FIG. 6 is a bottom left perspective view of the window component extrusion shown in FIG. 5 .

1 Claim, 3 Drawing Sheets



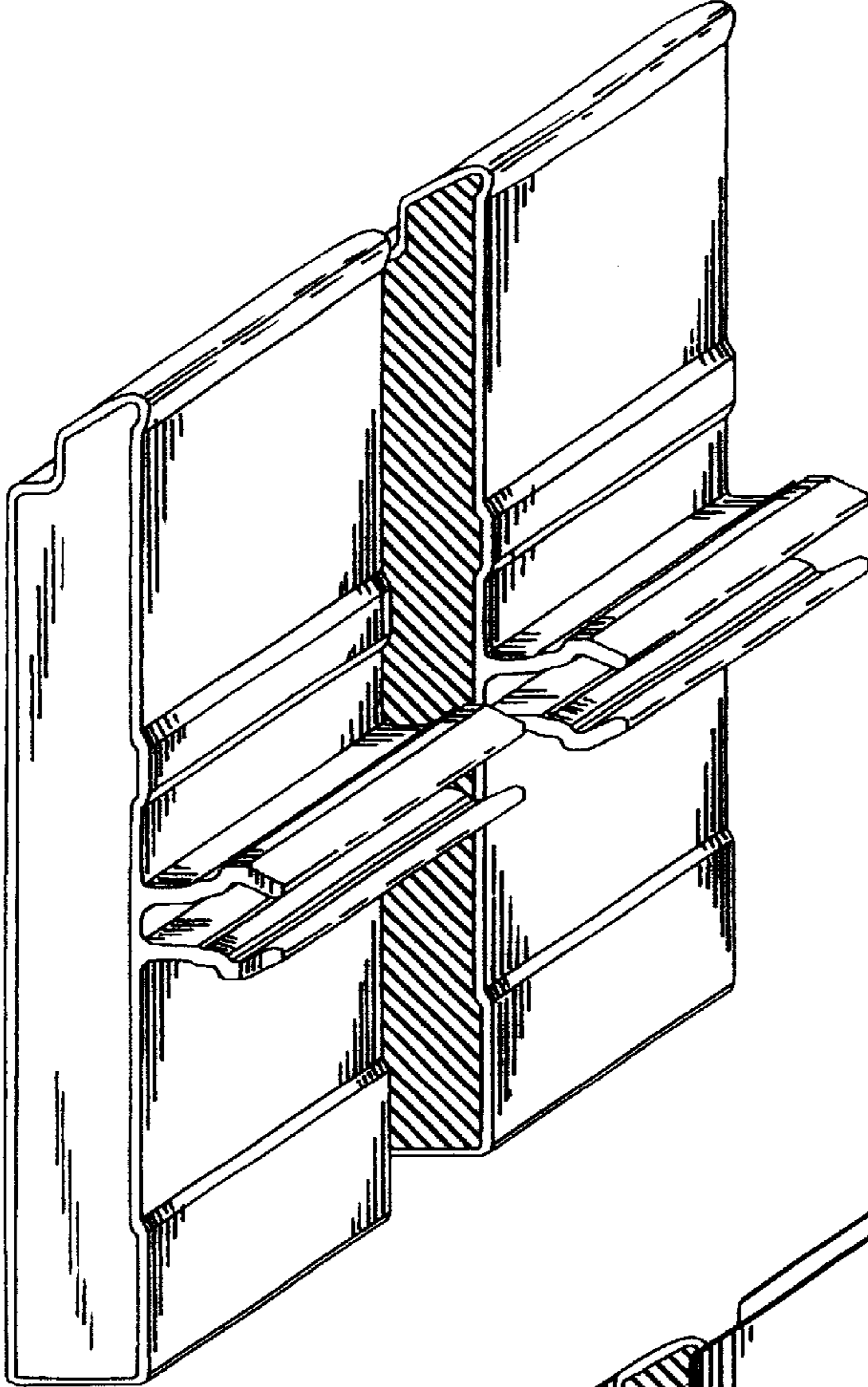


FIG.1

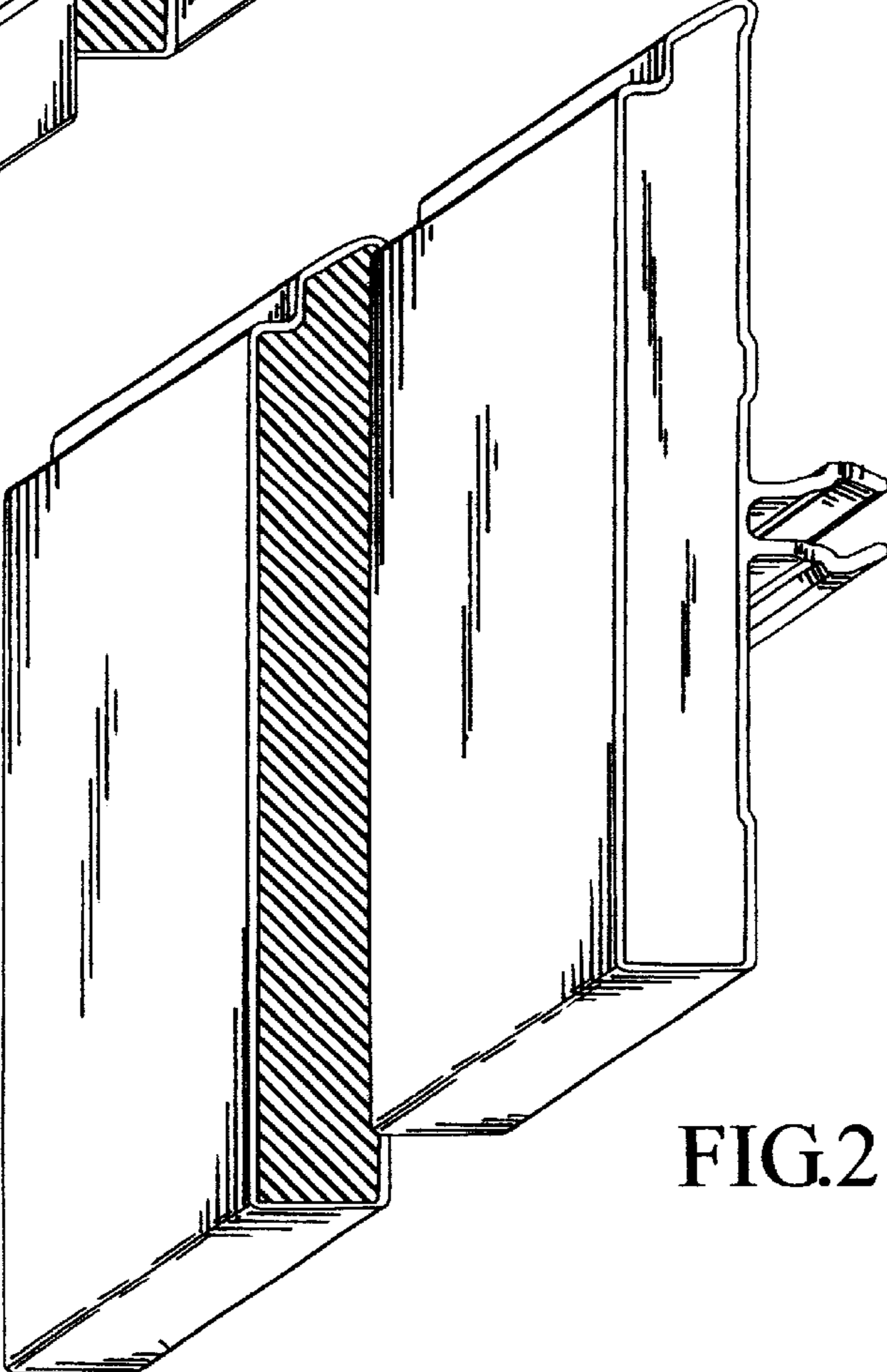


FIG.2

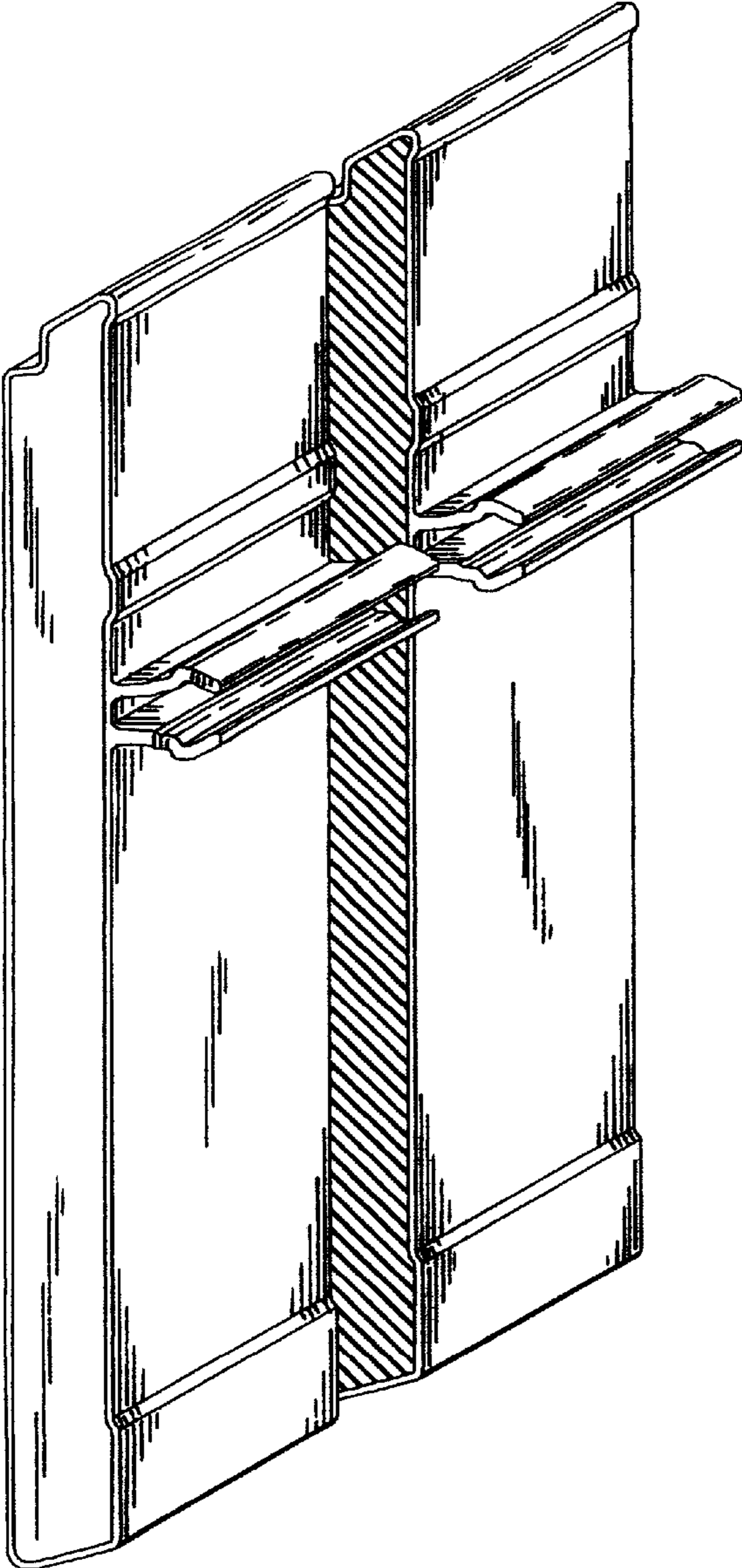


FIG.3

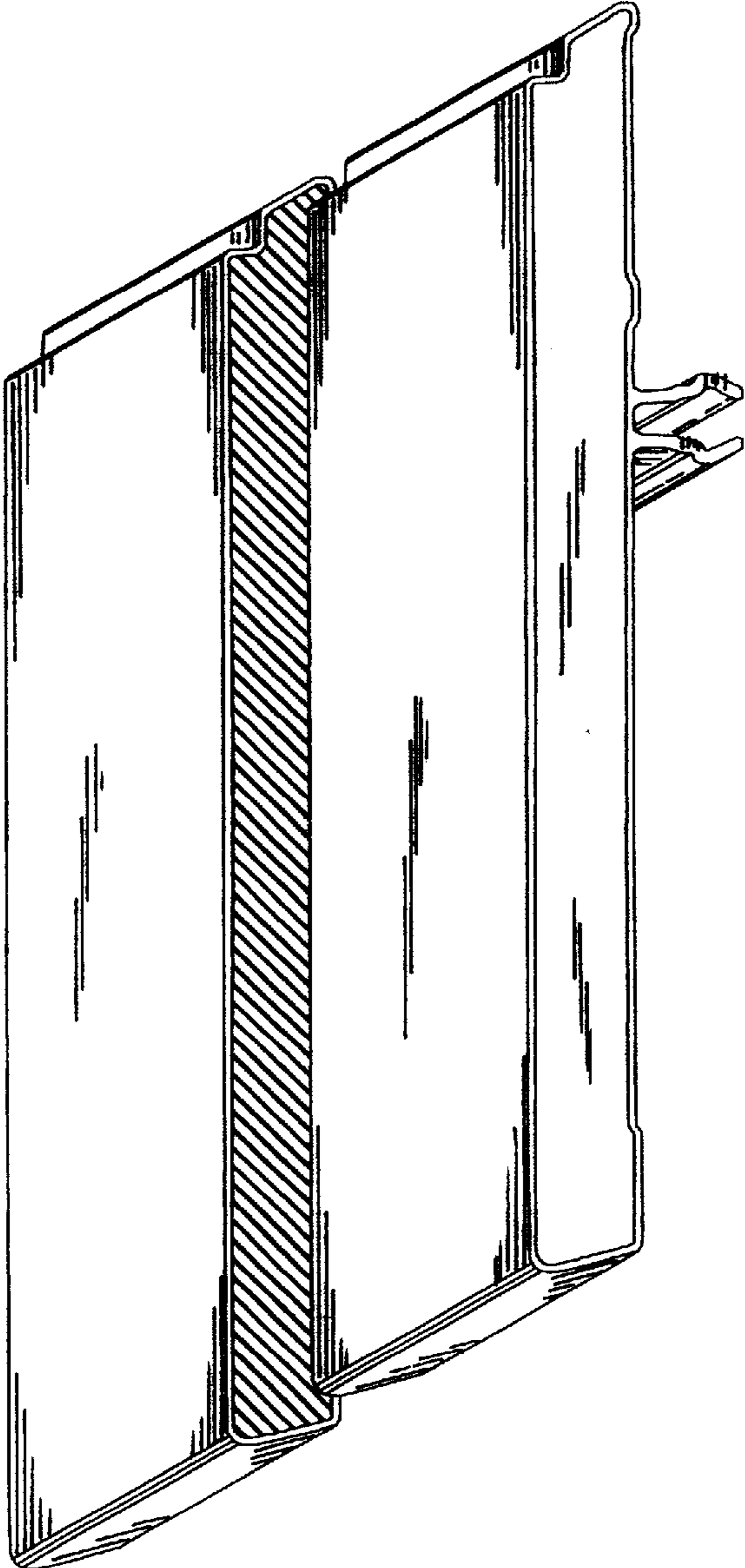


FIG.4

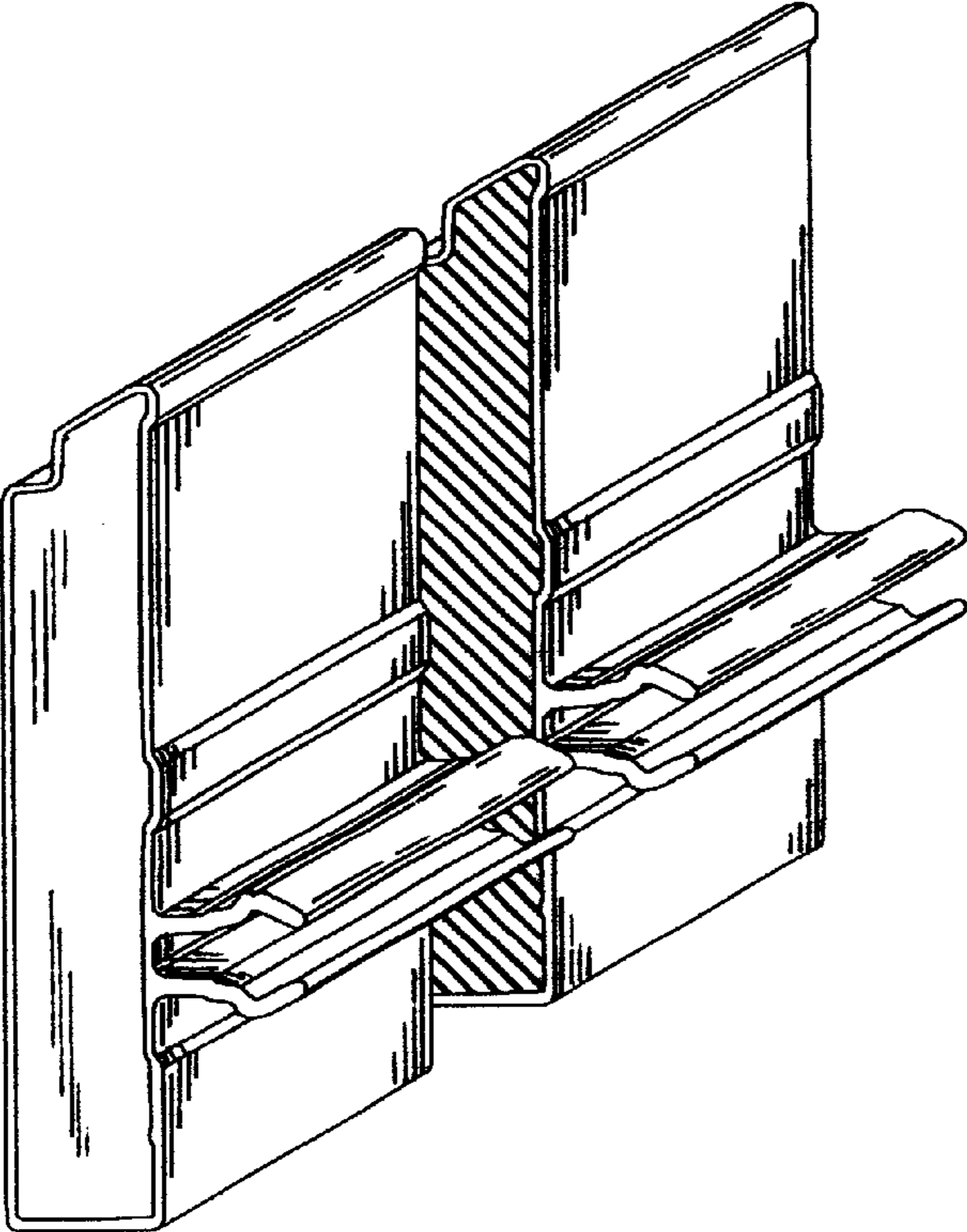


FIG.5

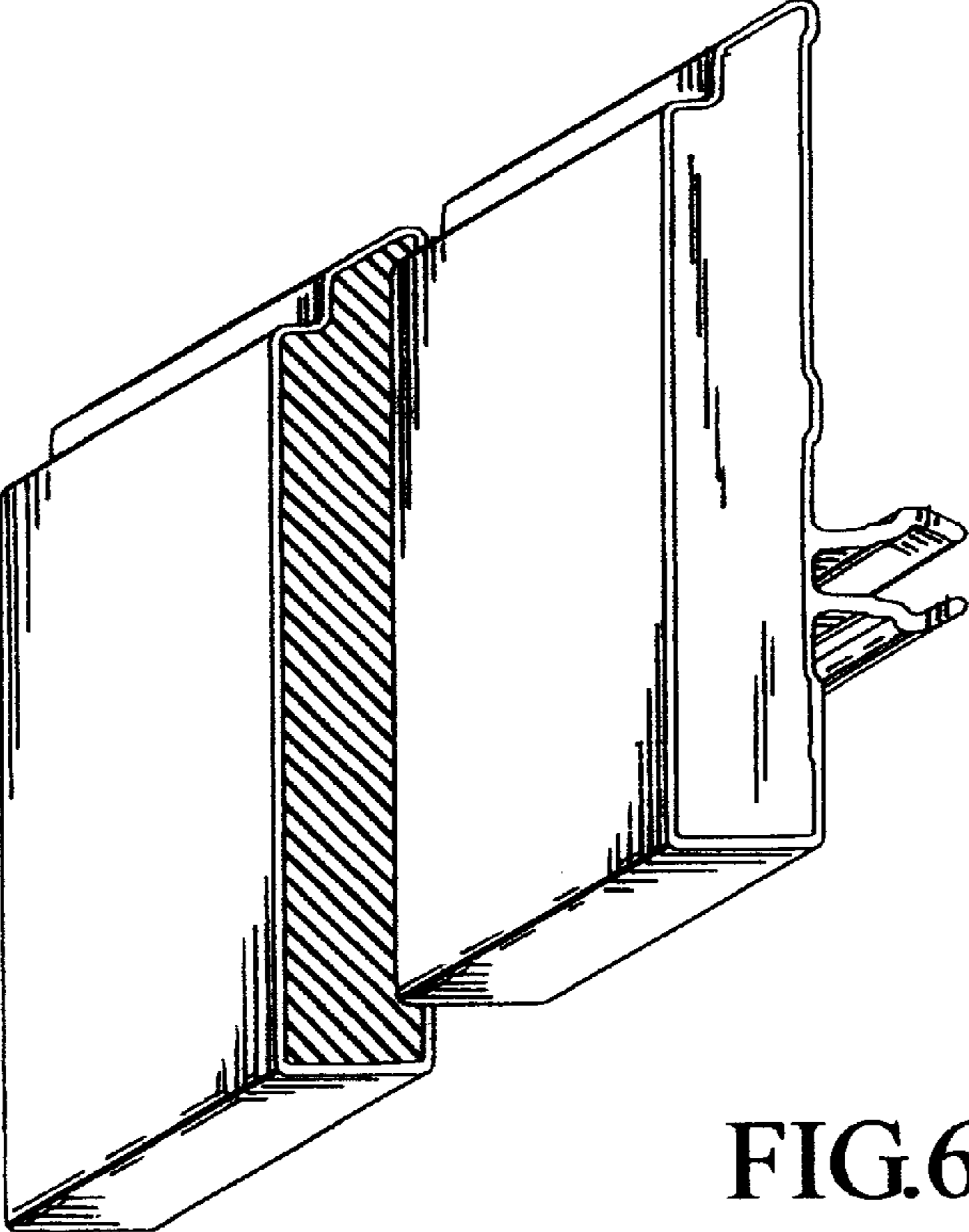


FIG.6