

US00D505498S

(12) **United States Design Patent**
Cole

(10) **Patent No.:** **US D505,498 S**
(45) **Date of Patent:** **** May 24, 2005**

(54) **WINDOW COMPONENT EXTRUSION**

4,578,905 A * 4/1986 Hout 49/504
D469,884 S * 2/2003 Franson D25/119

(75) Inventor: **Douglas L. Cole**, Seattle, WA (US)

* cited by examiner

(73) Assignee: **Mikron Industries, Inc.**, Kent, WA (US)

Primary Examiner—Doris Clark
(74) *Attorney, Agent, or Firm*—Black Lowe & Graham PLLC

(**) Term: **14 Years**

(57) **CLAIM**

(21) Appl. No.: **29/207,460**

The ornamental design for a window component extrusion, as shown and described.

(22) Filed: **Jun. 14, 2004**

(51) **LOC (7) Cl.** **25-01**

(52) **U.S. Cl.** **D25/119**

(58) **Field of Search** D25/124, 119,
D25/125; 52/204.1; 49/DIG. 2, 504

DESCRIPTION

FIG. 1 is a top right perspective view of the window component extrusion which is broken in the center indicating indefinite length; and,

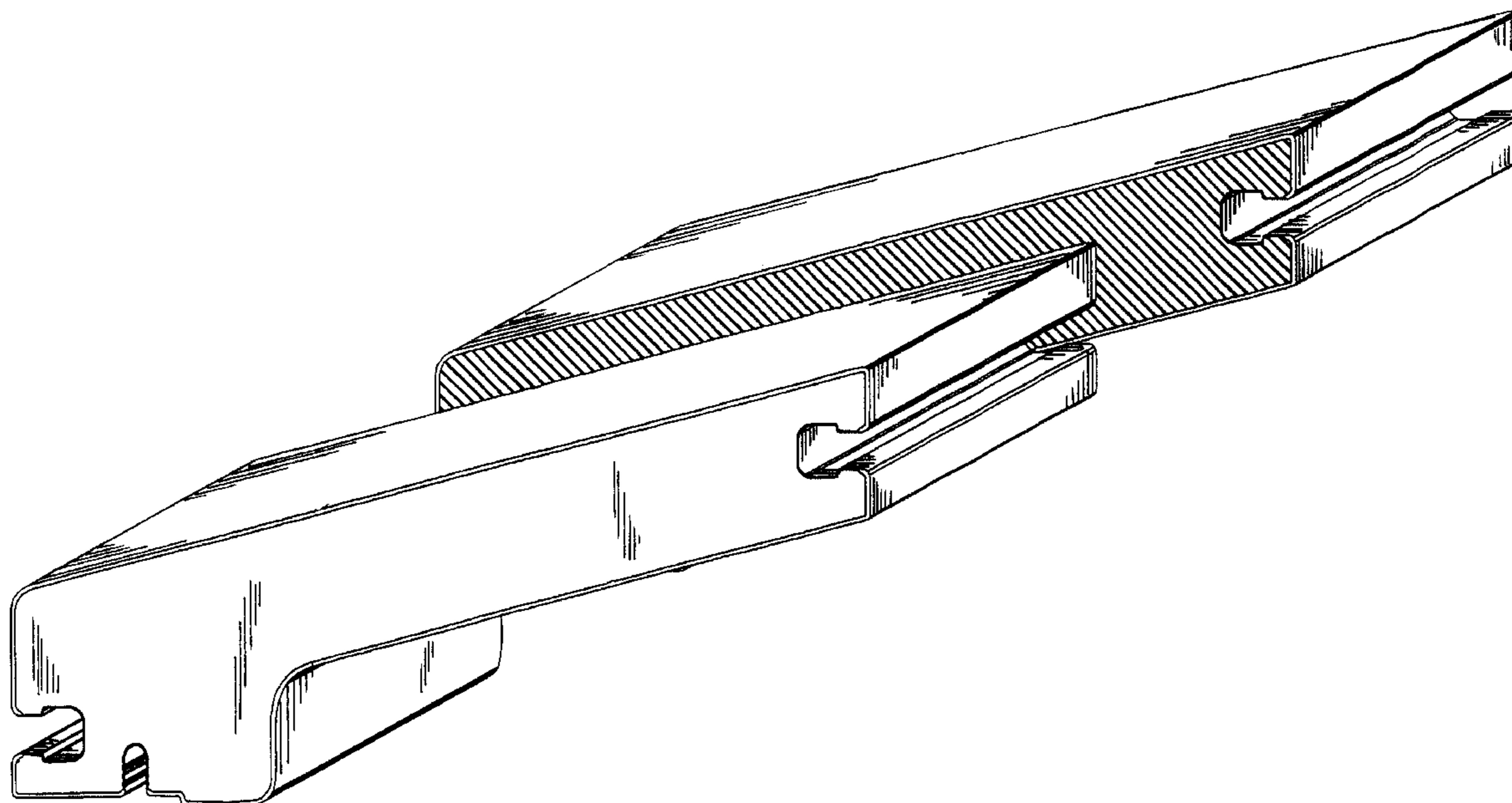
FIG. 2 is a bottom left perspective view of the window component extrusion shown in FIG. 1.

(56) **References Cited**

U.S. PATENT DOCUMENTS

3,662,494 A * 5/1972 Sitterly 49/504

1 Claim, 2 Drawing Sheets



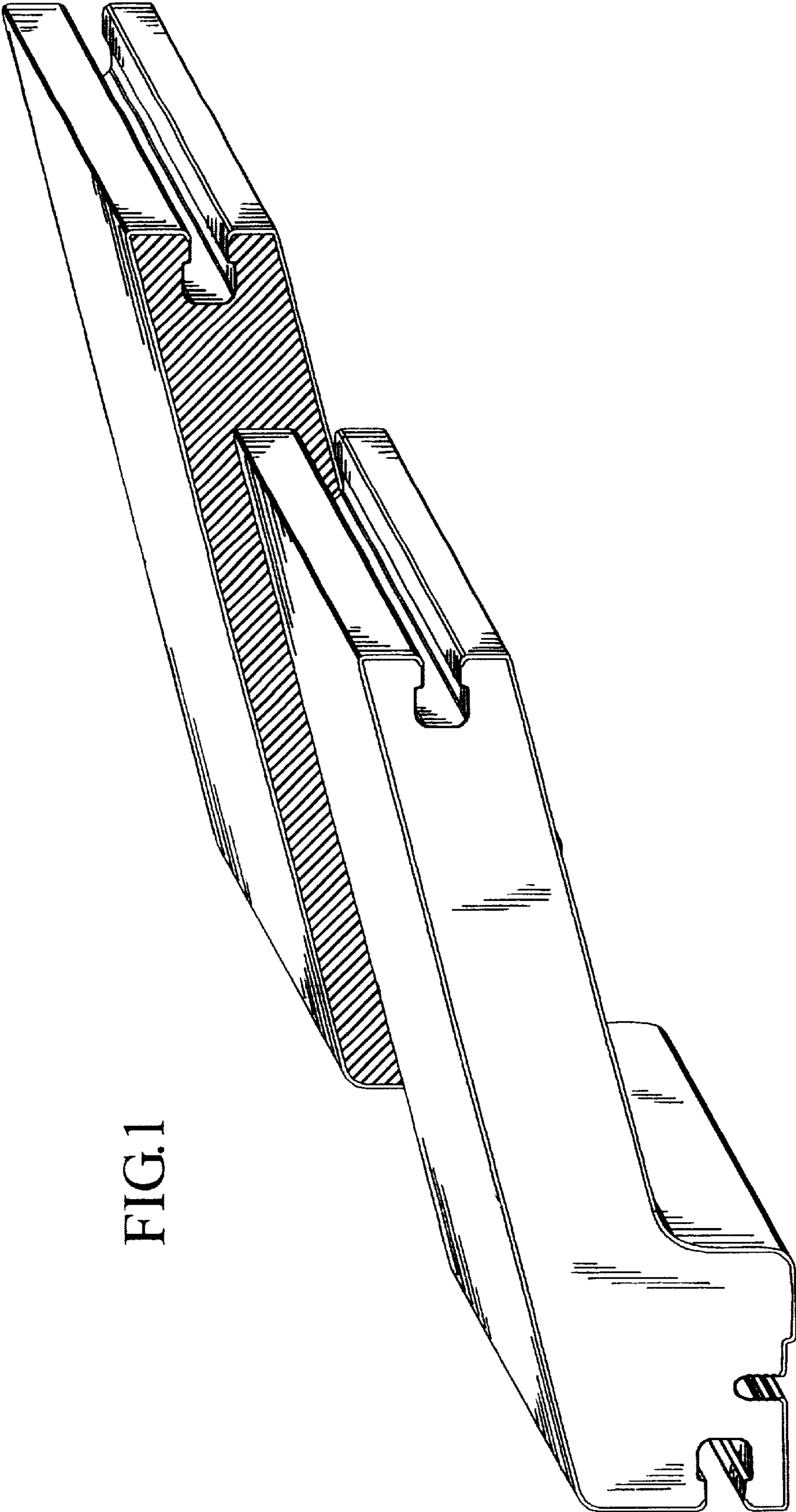


FIG.1

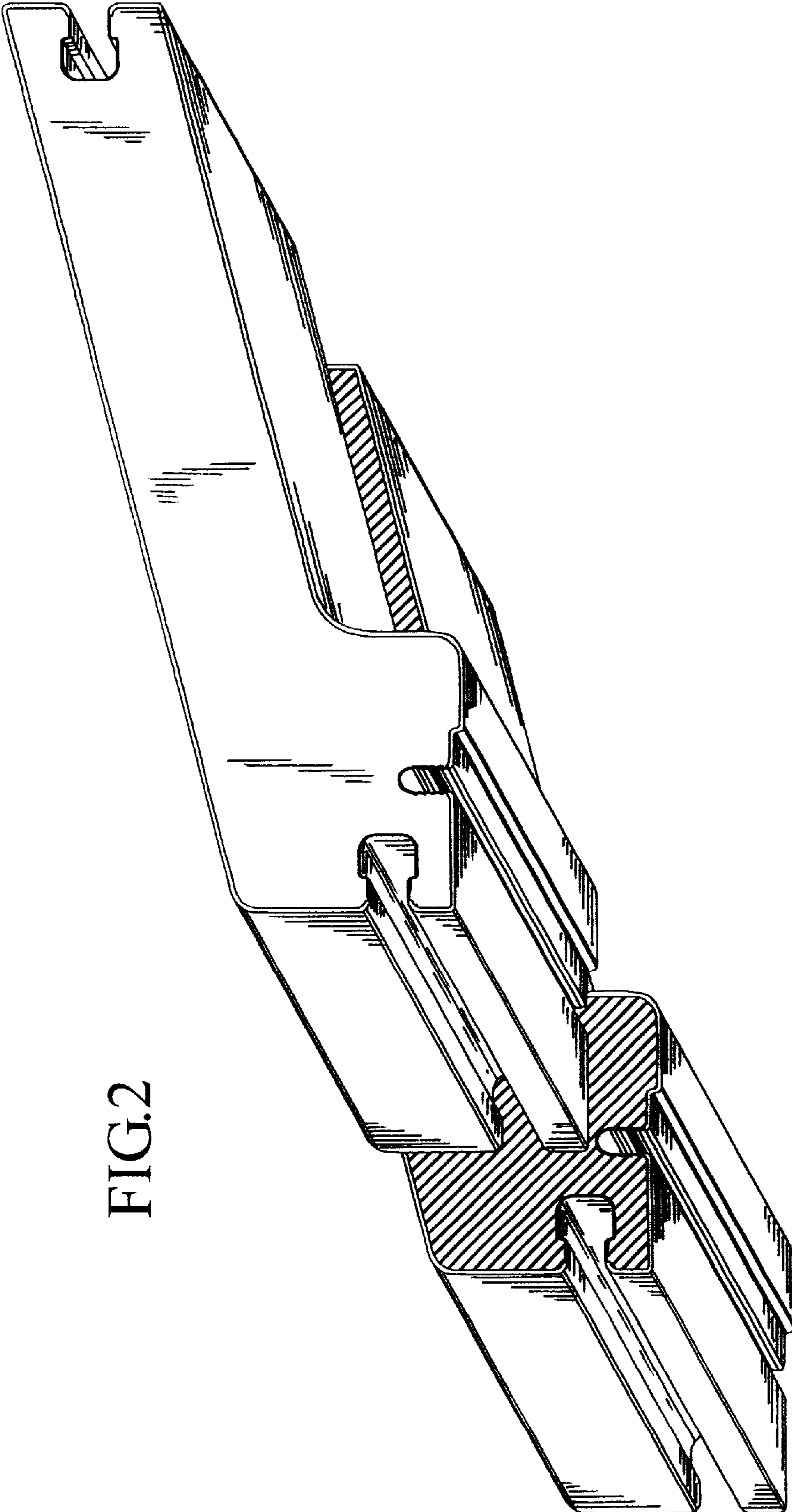


FIG.2