

US00D505494S

(12) **United States Design Patent**
Py et al.

(10) **Patent No.:** **US D505,494 S**
(45) **Date of Patent:** **** May 24, 2005**

(54) **VIAL**

4,390,111 A 6/1983 Robbins et al.
4,444,330 A 4/1984 Kasai et al.

(75) Inventors: **Daniel Py**, Stamford, CT (US);
Norbert M. Assion, Shelton, CT (US);
Julian V. Chan, Spring Valley, NY
(US)

(Continued)

FOREIGN PATENT DOCUMENTS

(73) Assignee: **Medical Instill Technologies, Inc.**,
Stamford, CT (US)

CA	1123792	5/1982
EP	0921151	10/2001
FR	2509689	7/1981
GB	500534	2/1939
GB	984148	2/1965
GB	2091229	7/1982
GB	2364700	2/2002
WO	WO95/34381	12/1995

(**) Term: **14 Years**

(21) Appl. No.: **29/189,780**

(22) Filed: **Sep. 10, 2003**

Primary Examiner—Ian Simmons

Assistant Examiner—John Windmuller

(74) *Attorney, Agent, or Firm*—McCarter & English, LLP

Related U.S. Application Data

(62) Division of application No. 29/166,810, filed on Sep. 3,
2002, now Pat. No. Des. 485,365.

(51) **LOC (7) Cl.** **24-02**

(52) **U.S. Cl.** **D24/224; D24/121**

(58) **Field of Search** 422/102; 215/DIG. 3,
215/247, 249, 251, 255; D24/224, 216,
121; D9/446, 445, 434, 439

(57) **CLAIM**

The ornamental design for a vial, as shown and described.

DESCRIPTION

FIG. 1 is a top perspective view of a vial showing our new design;

FIG. 2 is a front elevational view of the vial of FIG. 1;

FIG. 3 is a side elevational view of the vial of FIG. 1;

FIG. 4 is another side elevational view of the vial of FIG. 1;

FIG. 5 is a rear elevational view of the vial of FIG. 1;

FIG. 6 is a top plan view of the vial of FIG. 1;

FIG. 7 is a bottom plan view of the vial of FIG. 1;

FIG. 8 is a top perspective view of the vial of FIG. 1 with the cap removed;

FIG. 9 is a front elevational view of the vial of FIG. 8;

FIG. 10 is a side elevational view of the vial of FIG. 8;

FIG. 11 is another side elevational view of the vial of FIG. 8;

FIG. 12 is a rear elevational view of the vial of FIG. 8;

FIG. 13 is a top plan view of the vial of FIG. 8; and,

FIG. 14 is a bottom plan view of the vial of FIG. 8.

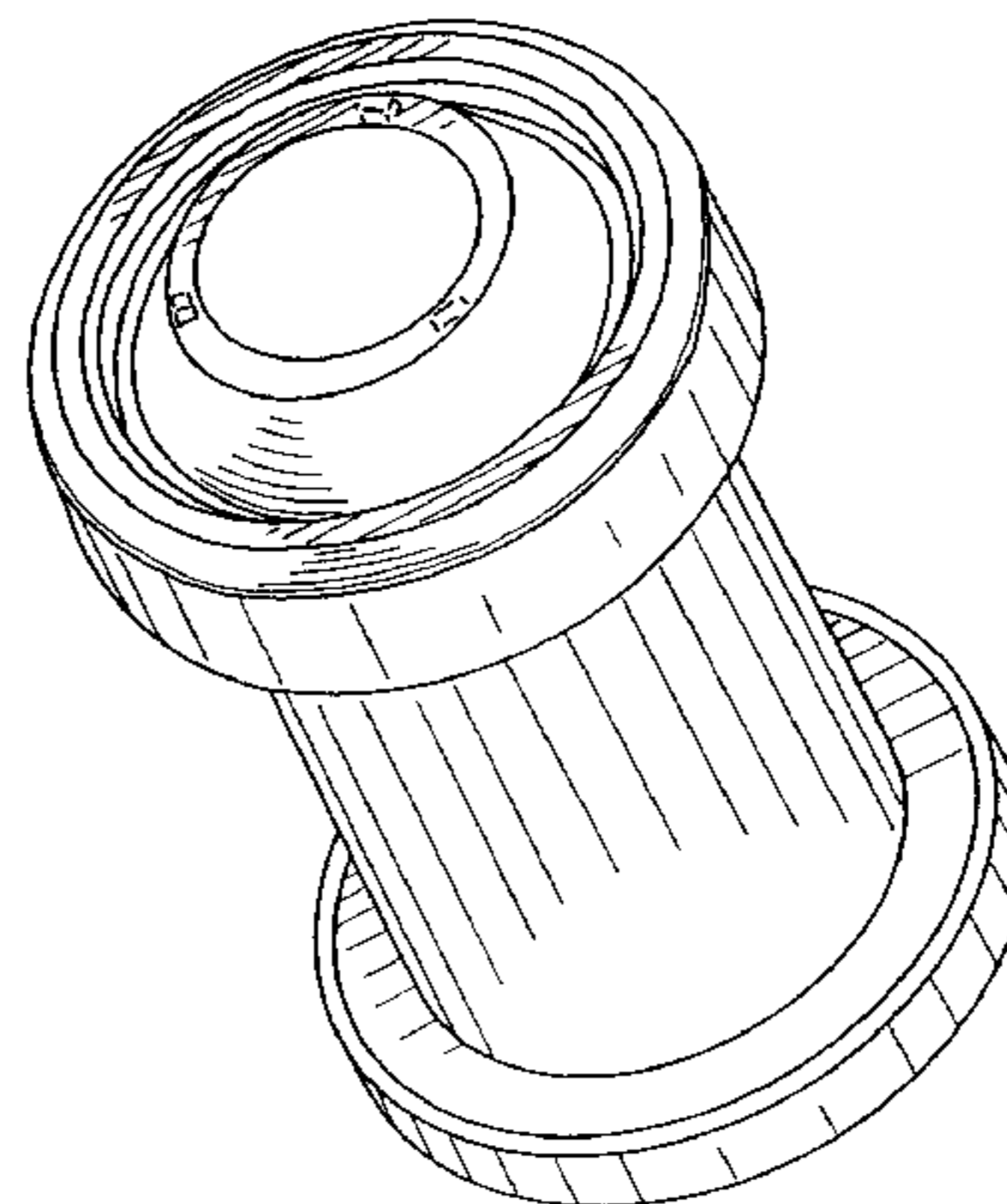
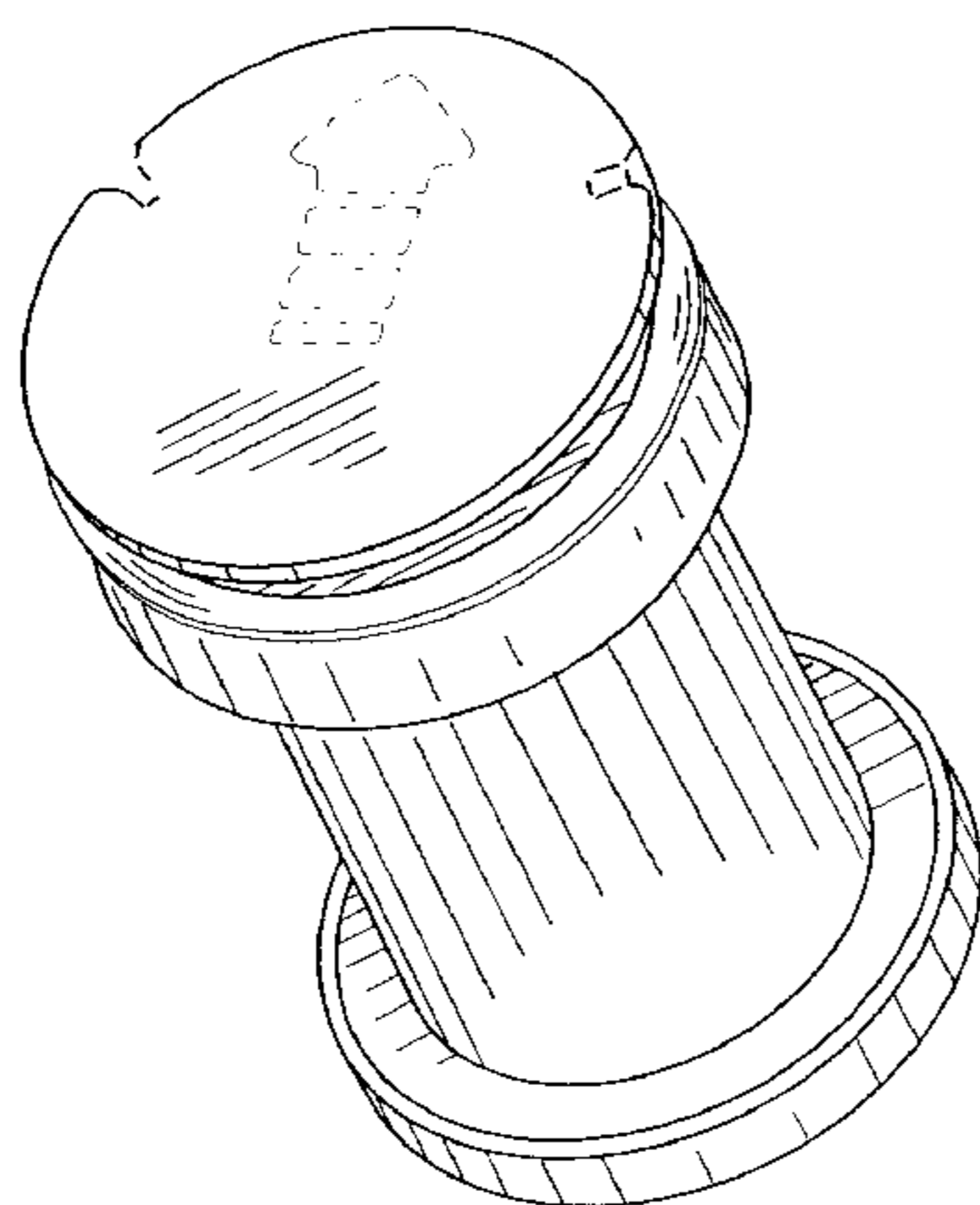
The broken lines in the drawings show structure that is not part of the claimed design, but rather show the environment in which the design is associated, or show portions of the article in which the design is embodied or applied to that are not considered part of the claimed design.

(56) **References Cited**

U.S. PATENT DOCUMENTS

2,503,147 A	4/1950	Applezweig
2,667,986 A	2/1954	Perelson
3,092,278 A	6/1963	Järnhäll
3,136,440 A	6/1964	Krug et al.
3,193,128 A	7/1965	Ravn
3,278,063 A	10/1966	Kranzhoff
3,340,671 A	9/1967	Loo
3,358,865 A	12/1967	Andersen
3,392,859 A	7/1968	Fischer
3,637,102 A	1/1972	Shaw
3,685,248 A	8/1972	Godelaide
3,811,591 A	5/1974	Novitch
4,048,255 A	9/1977	Hillier et al.
4,205,754 A	6/1980	Nielsen et al.
4,250,611 A	2/1981	Wong
4,265,364 A	5/1981	Baba
4,366,912 A	1/1983	Matukura et al.

1 Claim, 8 Drawing Sheets



US D505,494 S

Page 2

U.S. PATENT DOCUMENTS

4,456,138 A	6/1984	Bereziat	5,641,004 A	6/1997	Py
4,471,879 A	9/1984	Connor et al.	D383,214 S	9/1997	Brennan
4,499,148 A	2/1985	Goodale et al.	D389,586 S	* 1/1998	Brennan D24/224
D279,651 S	7/1985	Freeman	5,718,348 A	2/1998	Manera
4,635,807 A	1/1987	Knapp	5,744,087 A	4/1998	Williams et al.
4,664,275 A	5/1987	Kasai et al.	5,816,772 A	10/1998	Py
4,664,277 A	5/1987	Connor	5,823,373 A	10/1998	Sudo et al.
4,703,781 A	11/1987	Meyer et al.	5,902,298 A	5/1999	Niedospial et al.
4,815,619 A	3/1989	Turner et al.	5,931,828 A	8/1999	Durkee
4,842,028 A	6/1989	Kaufman et al.	5,971,181 A	10/1999	Niedospial, Jr. et al.
5,031,675 A	7/1991	Lindgren	6,006,932 A	12/1999	Morin
5,085,332 A	2/1992	Gettig et al.	6,068,150 A	5/2000	Mitchell et al.
5,088,612 A	2/1992	Storar et al.	6,070,748 A	6/2000	Sotrar
5,088,995 A	2/1992	Packard et al.	6,095,355 A	8/2000	Jessen et al.
5,129,212 A	7/1992	Duffey et al.	6,145,688 A	11/2000	Smith
5,247,015 A	9/1993	Bayan	D439,345 S	* 3/2001	Herchenbach et al. D24/224
5,341,854 A	8/1994	Zezulka et al.	6,223,918 B1	5/2001	Browne
5,344,036 A	9/1994	Stanescu et al.	6,234,335 B1	5/2001	Gee et al.
5,379,908 A	1/1995	Rohe	6,382,441 B1	5/2002	Carano
5,411,065 A	5/1995	Meador et al.	2001/0041872 A1	11/2001	Paul, Jr.
5,464,111 A	11/1995	Vacek et al.	2002/0010995 A1	1/2002	Thibault et al.
5,484,566 A	1/1996	Gabbard	2002/0023893 A1	2/2002	Sudo et al.
5,514,339 A	5/1996	Leopardi et al.	2002/0029022 A1	3/2002	Naritomi et al.
5,549,141 A	8/1996	Meador et al.			

* cited by examiner

FIG. 1

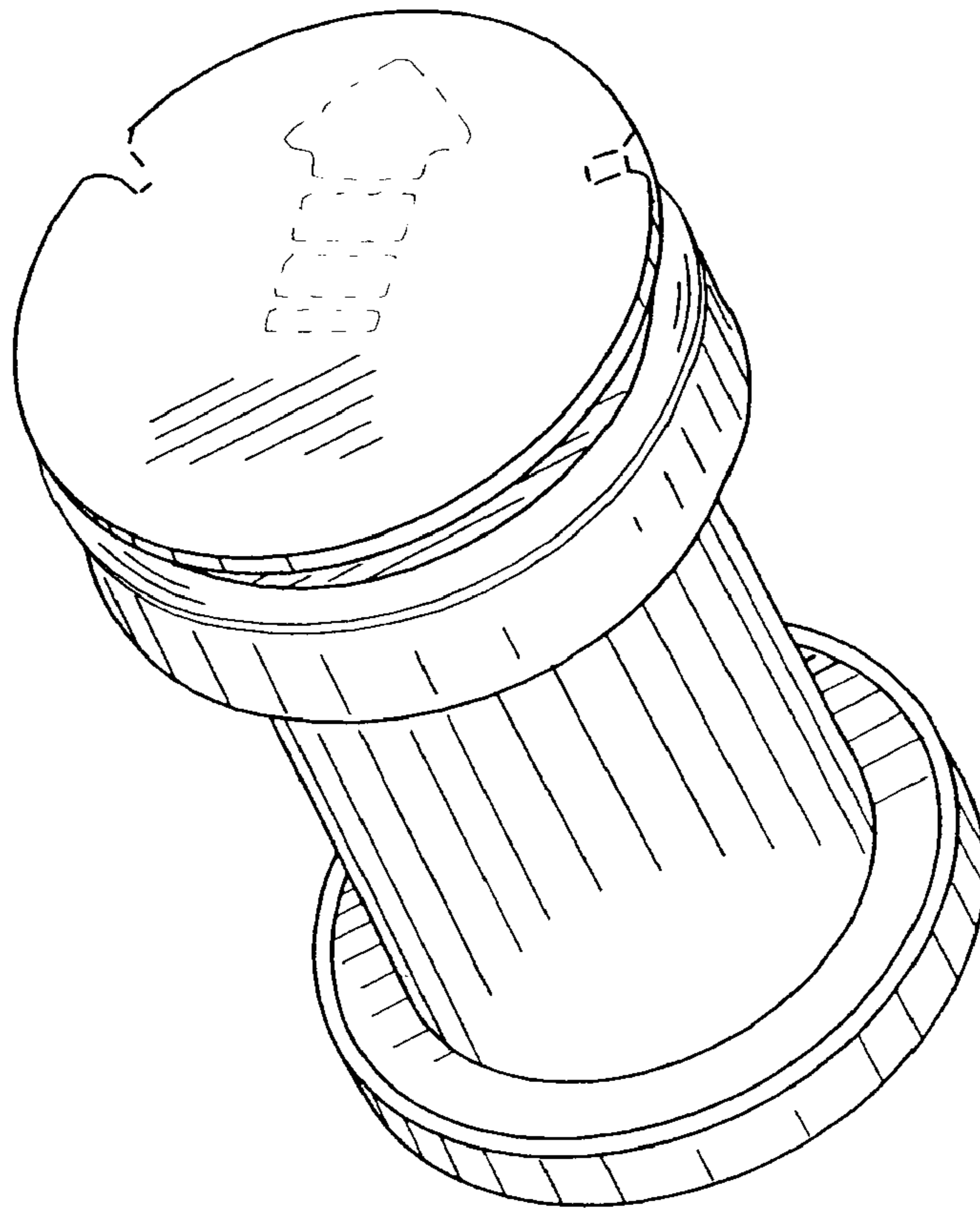


FIG. 2

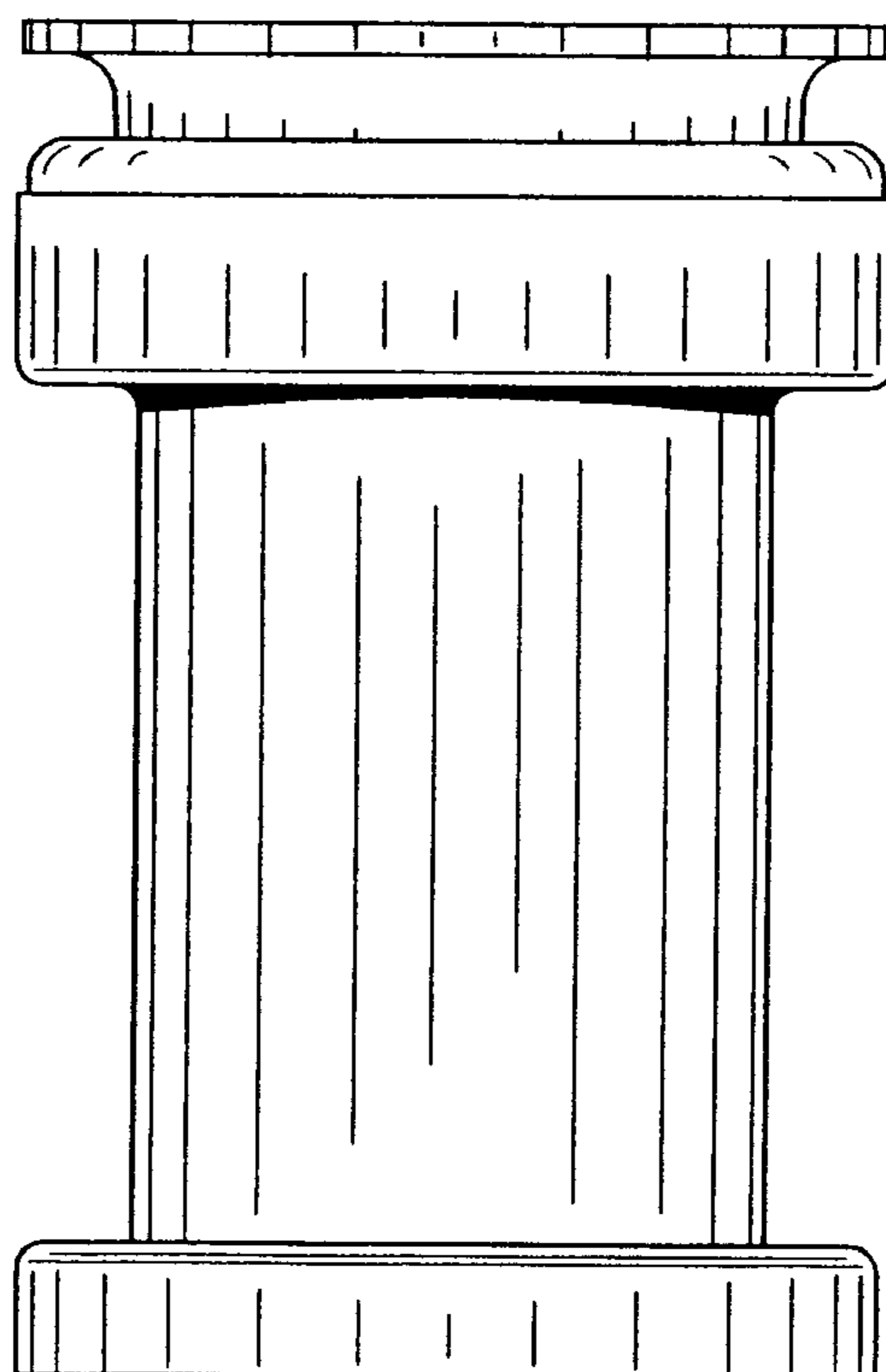


FIG. 4

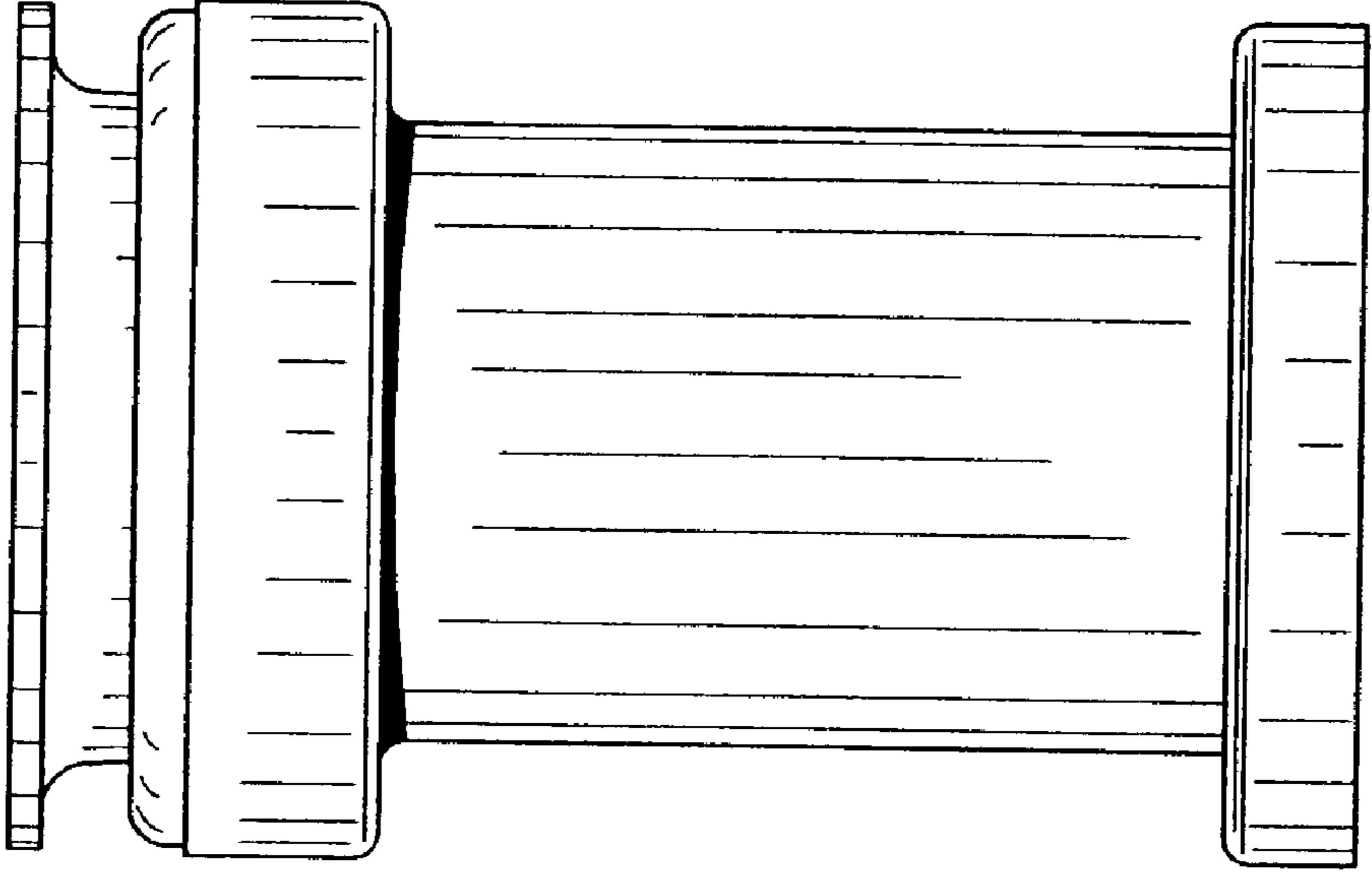


FIG. 3

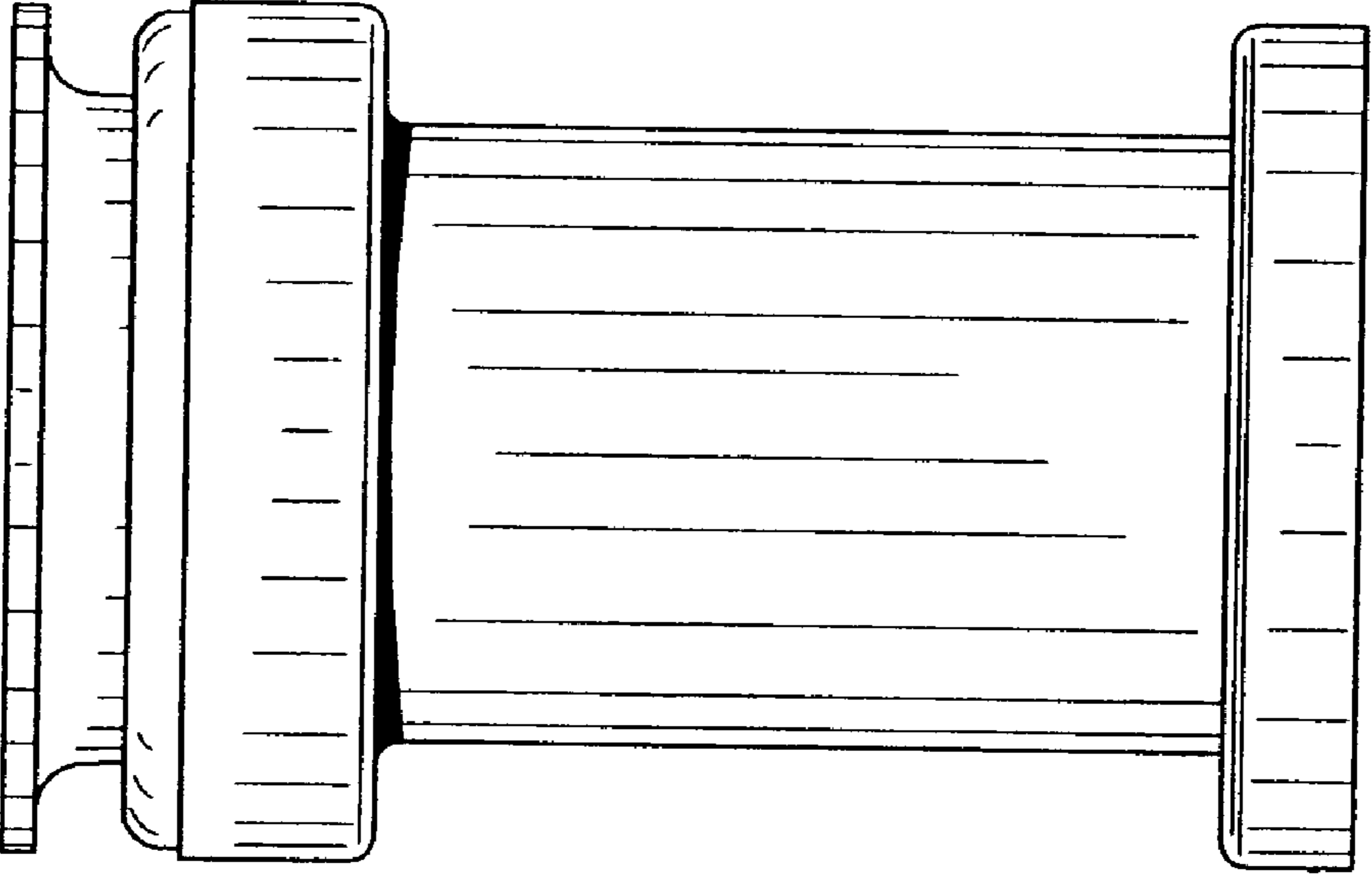


FIG. 6

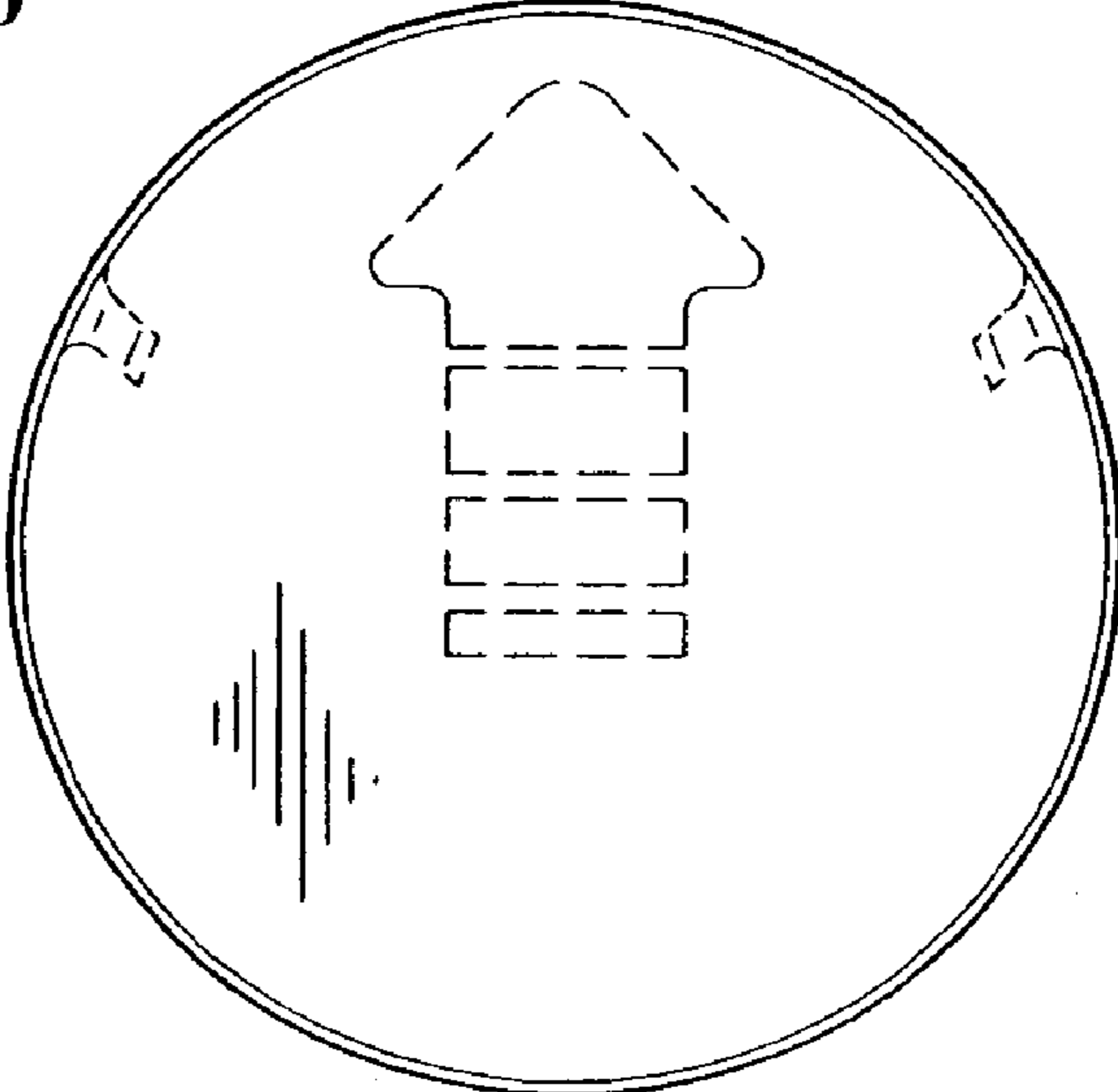


FIG. 5

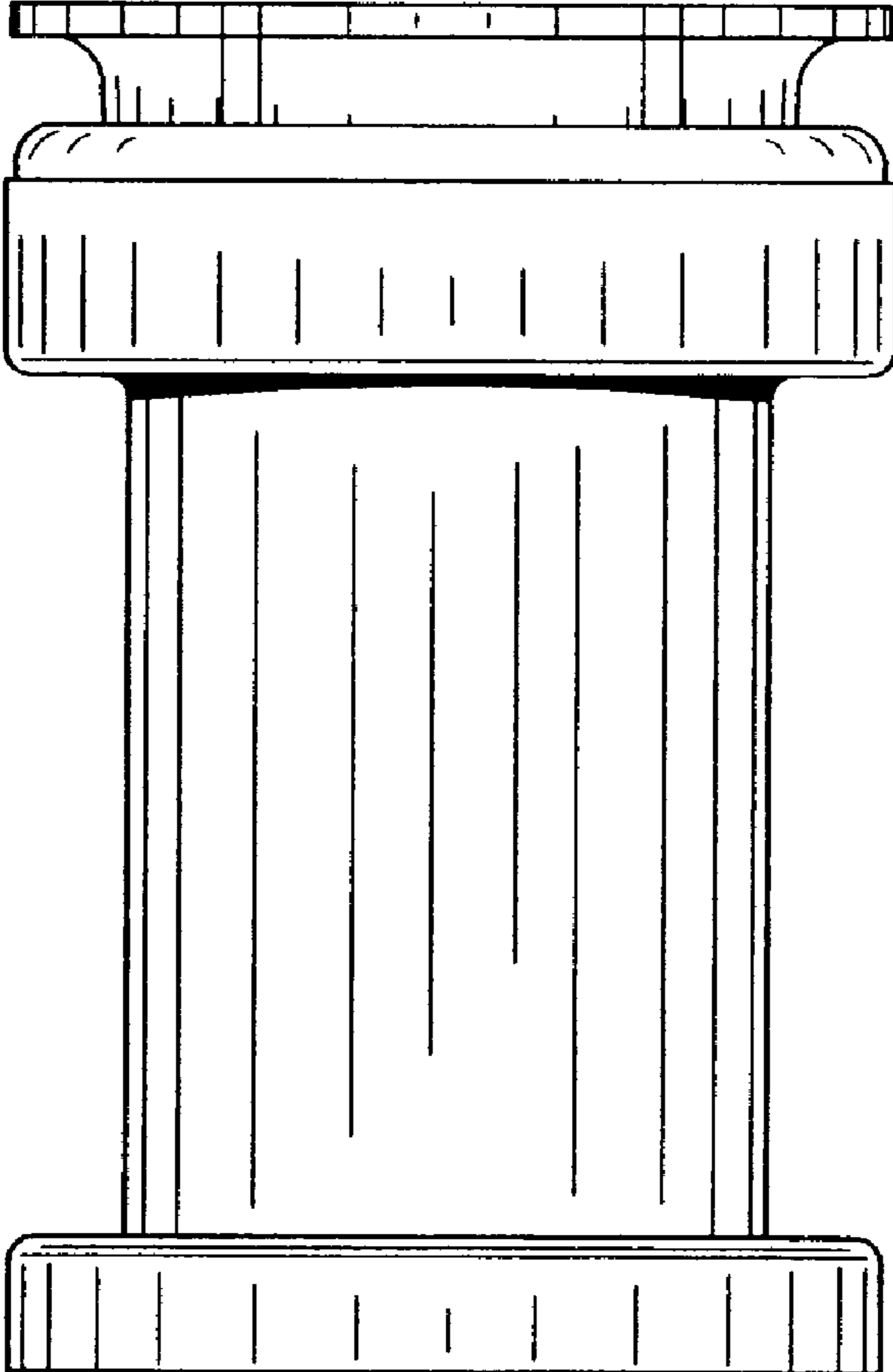


FIG. 7

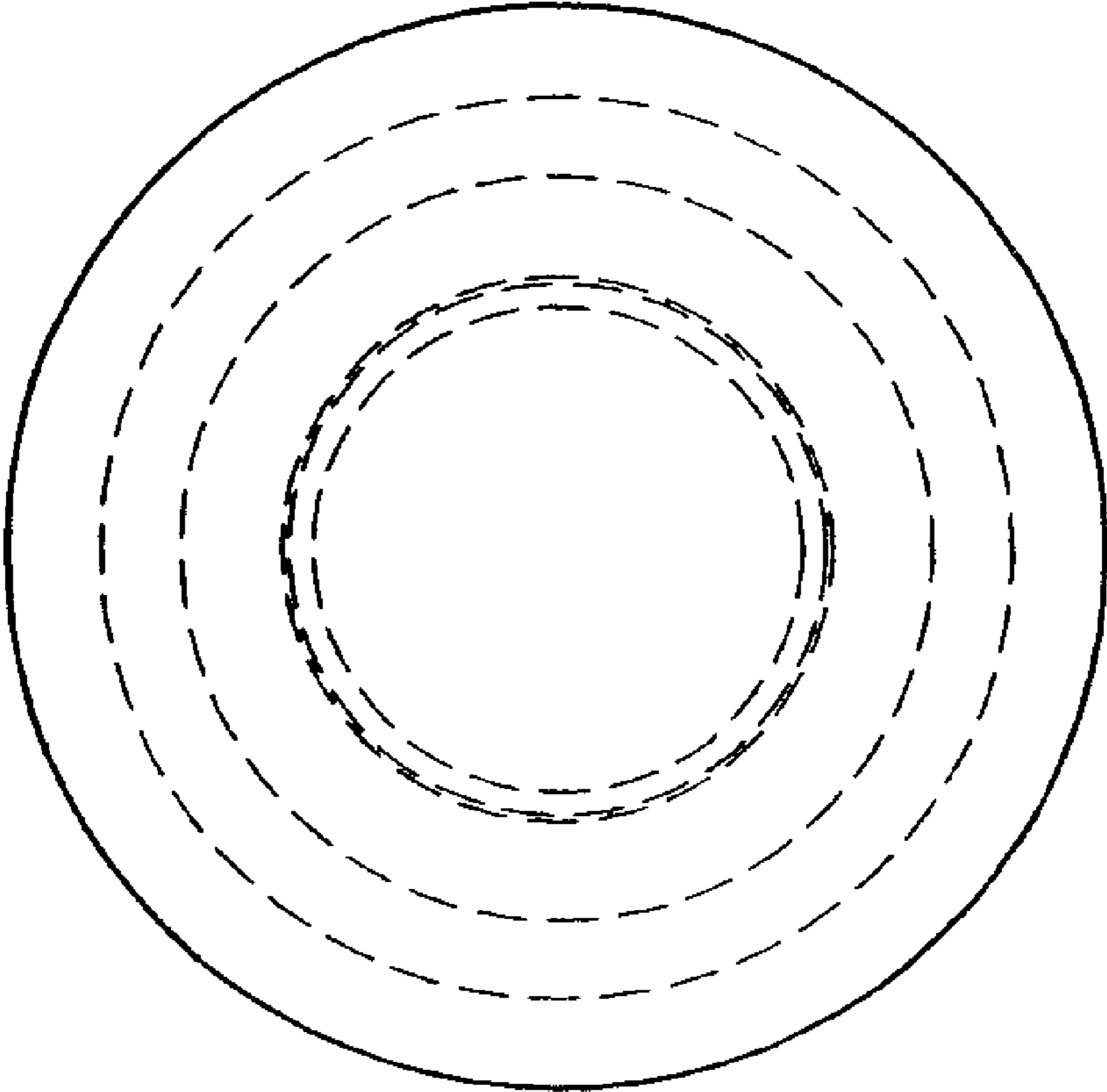


FIG. 8

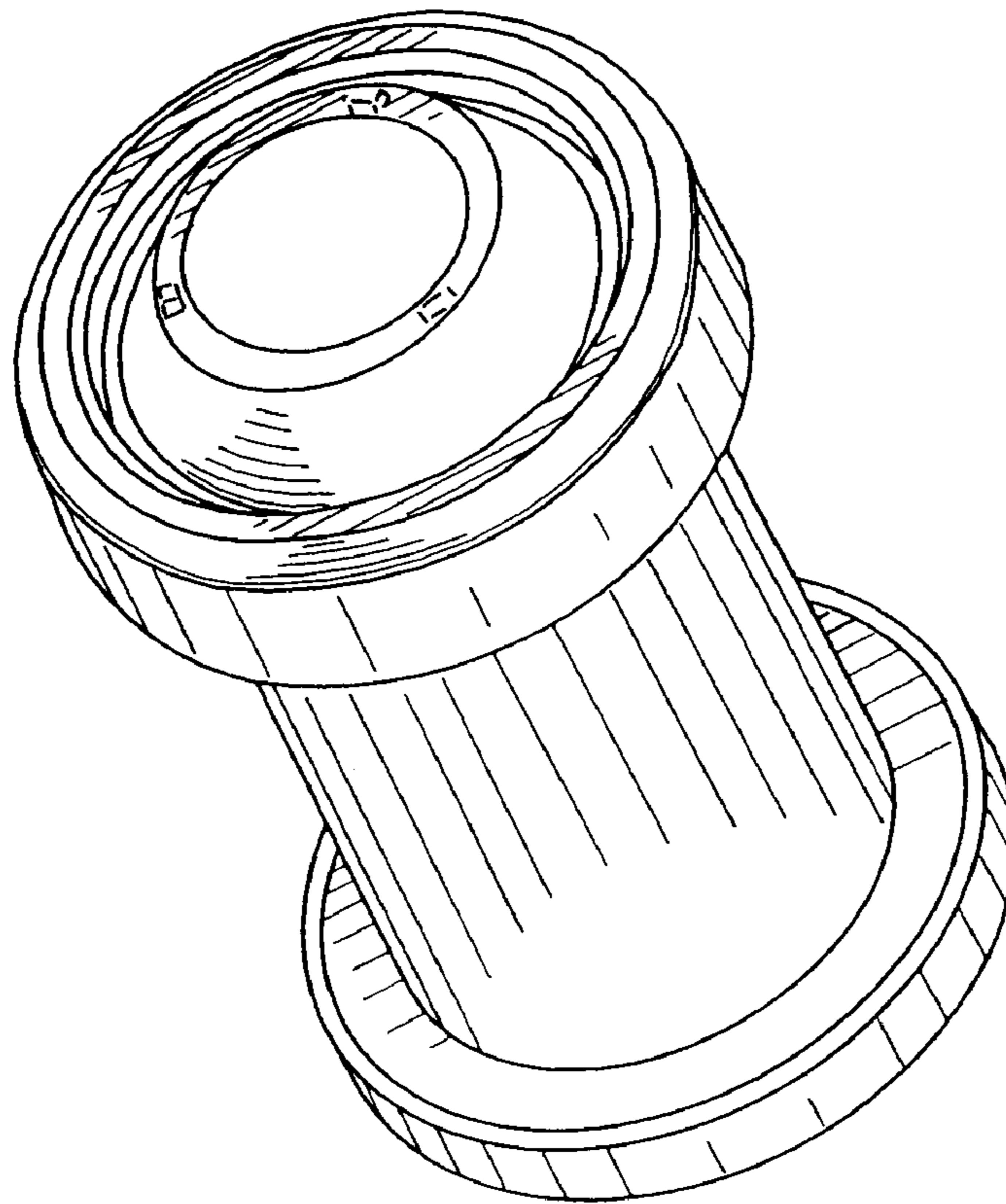


FIG. 9

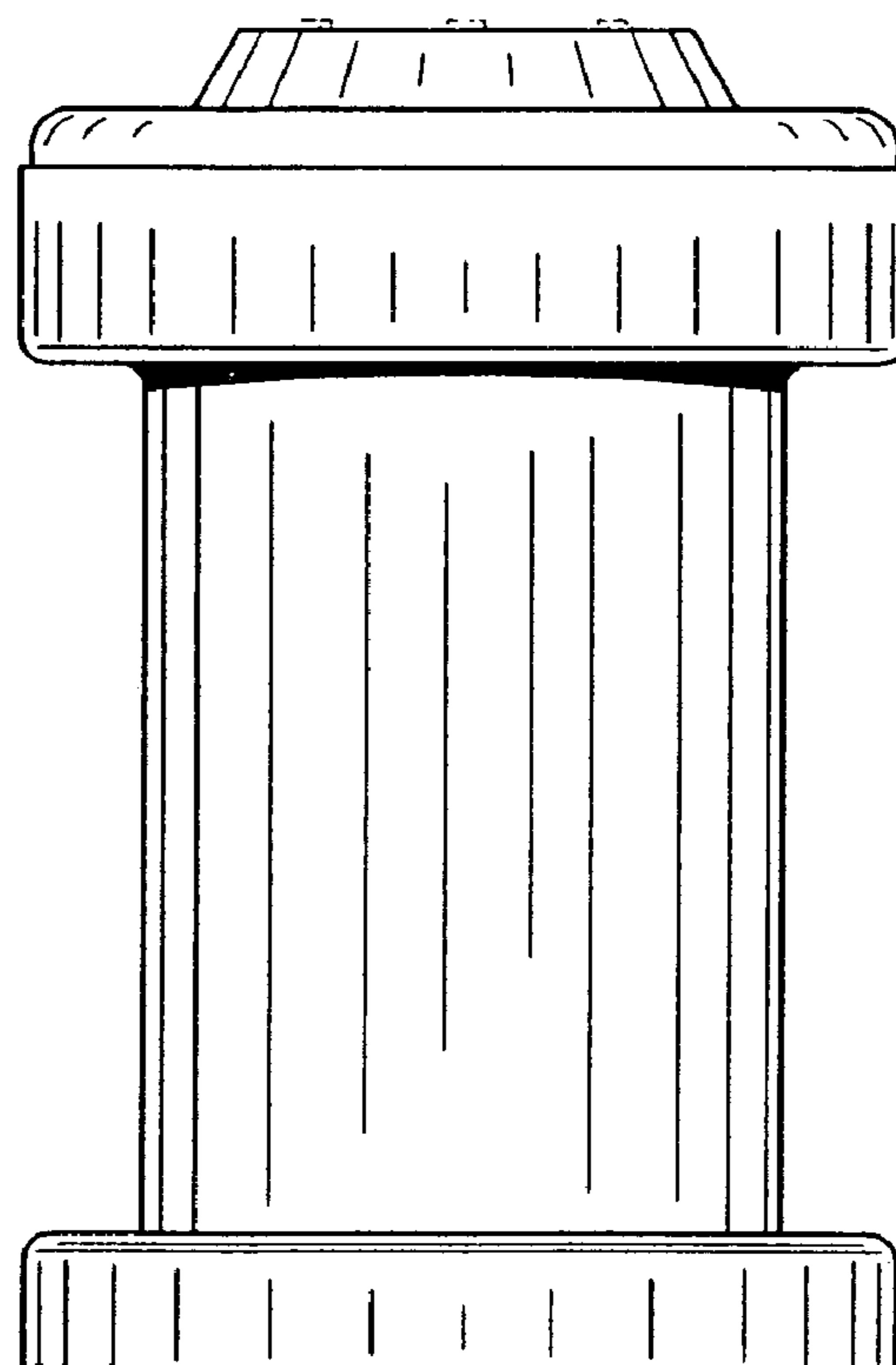


FIG. 11

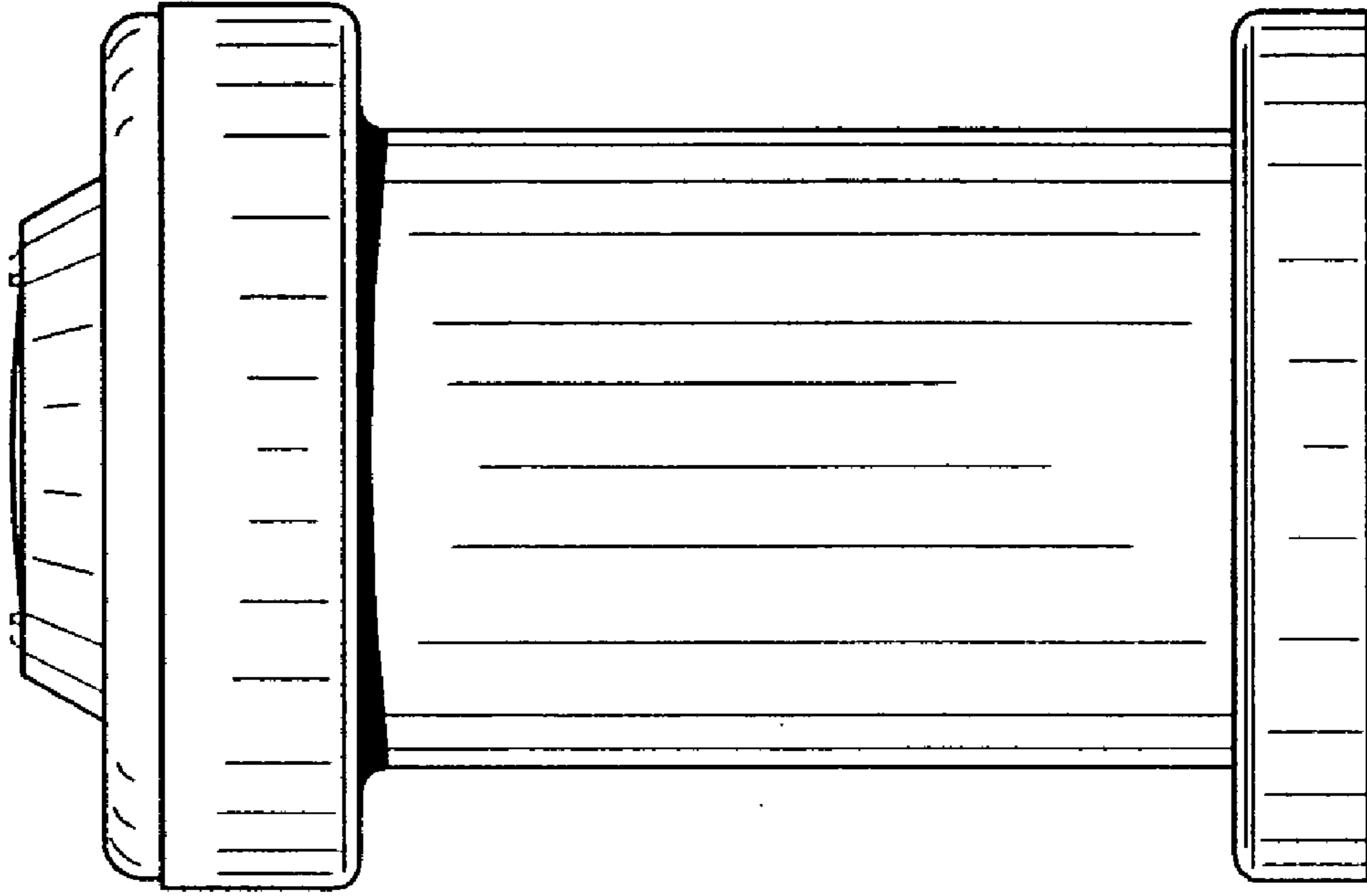


FIG. 10

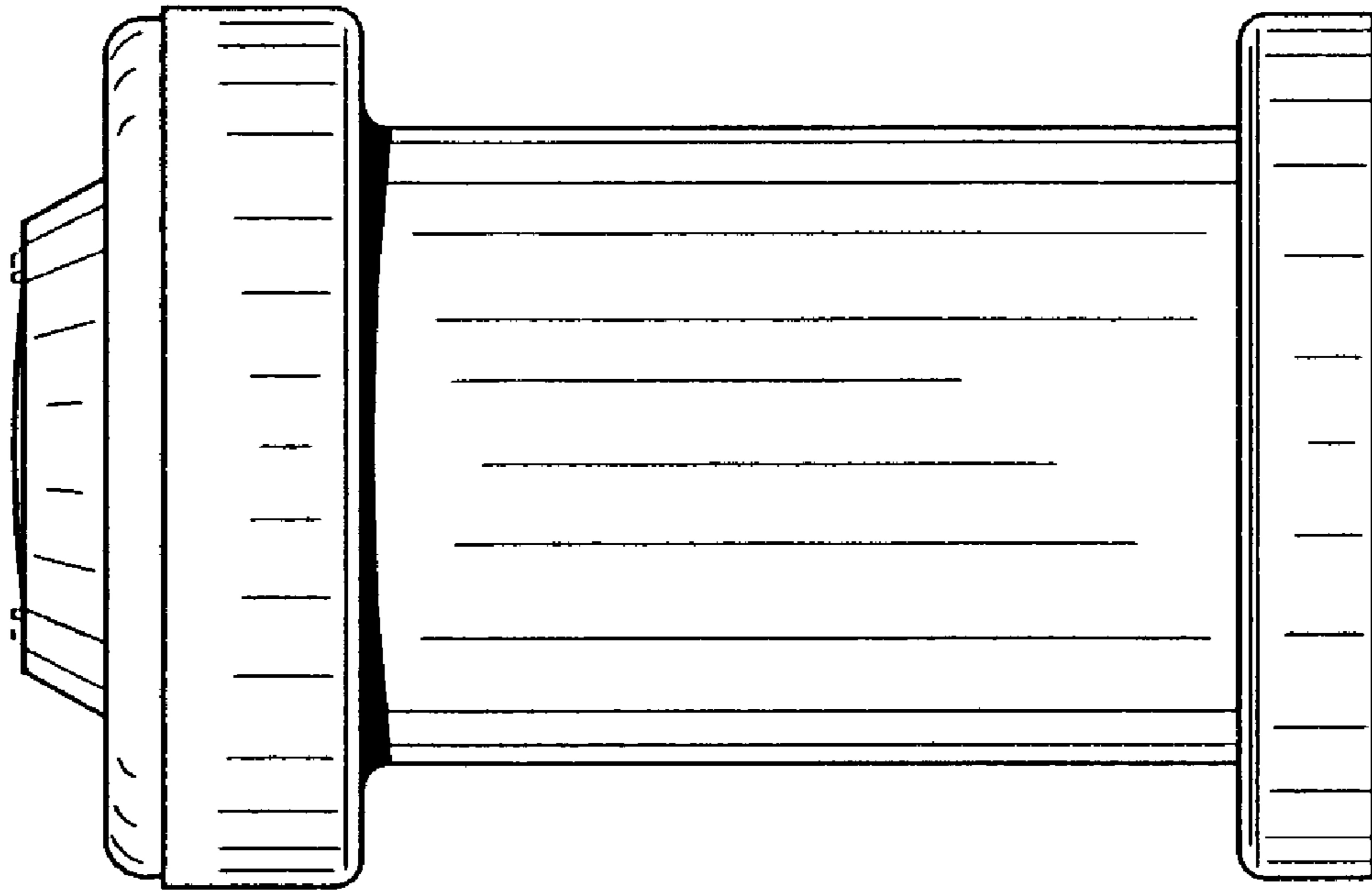


FIG. 13

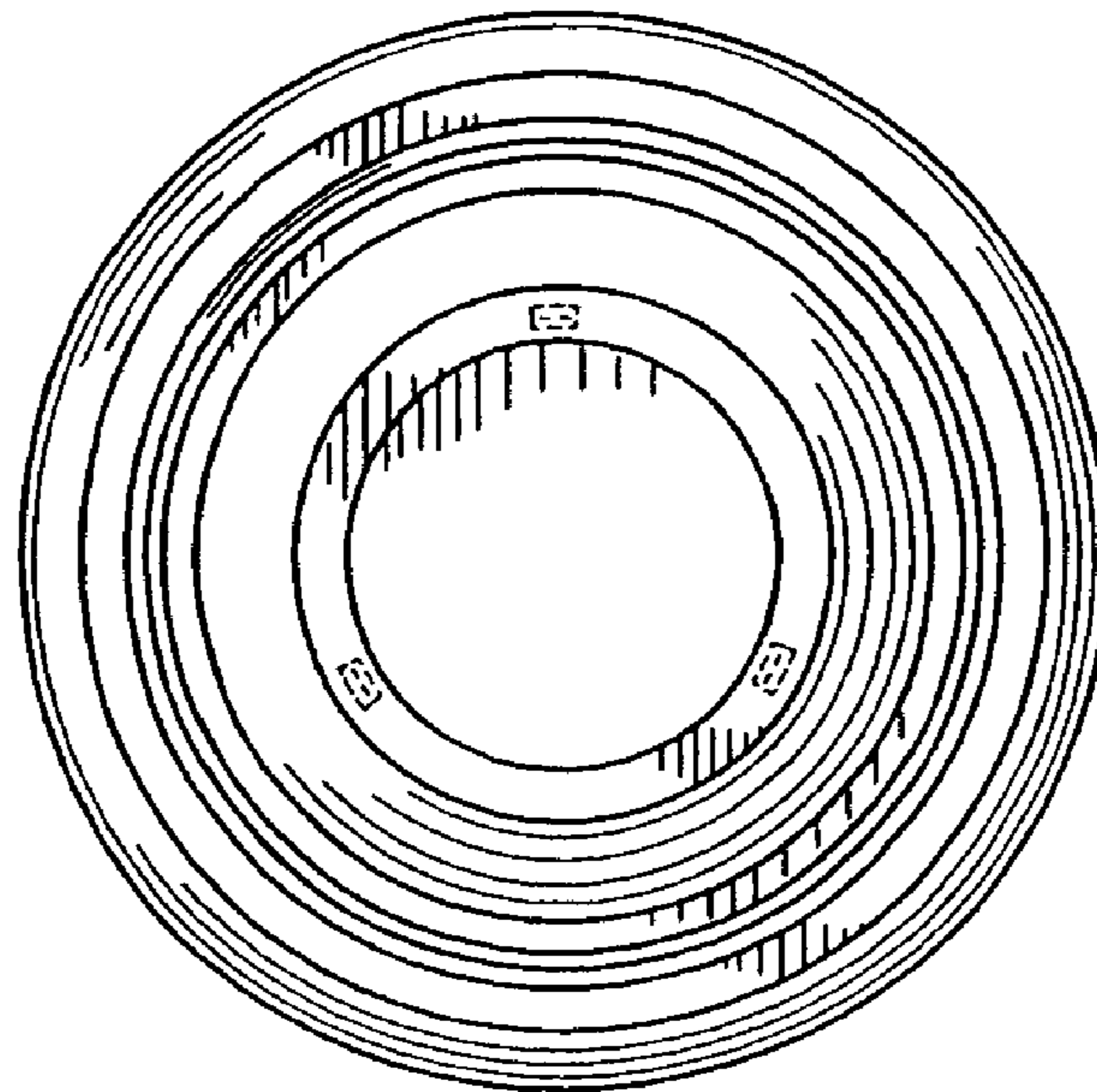


FIG. 12

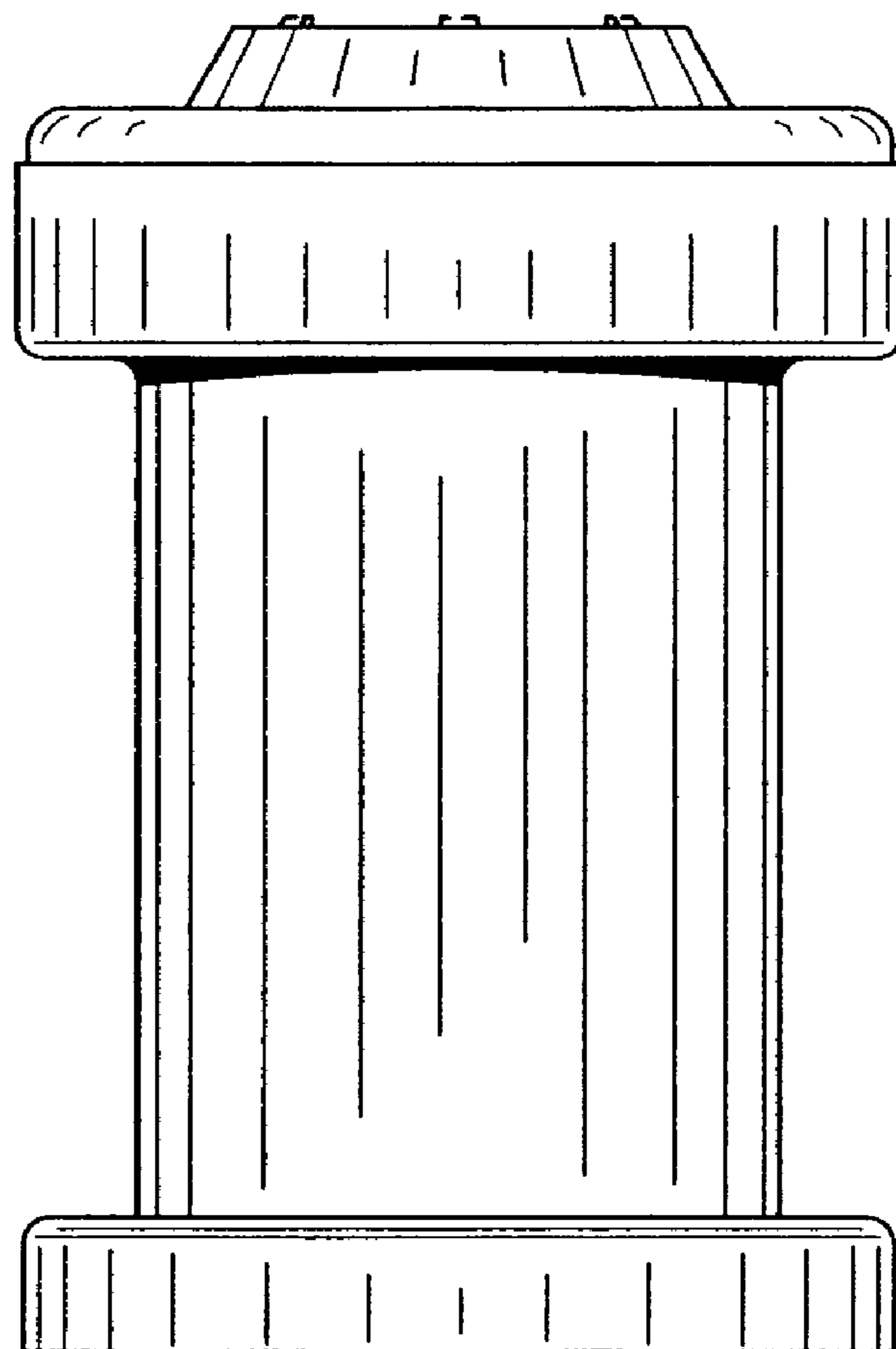


FIG. 14

