

US00D505480S

(12) **United States Design Patent**
Mathieu

(10) **Patent No.:** **US D505,480 S**

(45) **Date of Patent:** **** May 24, 2005**

(54) **TREBLE HOOK**

5,901,493 A 5/1999 Tolliver 43/43.16
D421,480 S * 3/2000 Edwards D22/144

(75) **Inventor:** **Cyrille Mathieu, Medina, MN (US)**

* cited by examiner

(73) **Assignee:** **VMC, Peche, Morvillars (FR)**

Primary Examiner—Catherine R. Oliver

(**) **Term:** **14 Years**

(74) *Attorney, Agent, or Firm*—Dority & Manning, P.A.

(21) **Appl. No.:** **29/208,424**

(57) **CLAIM**

(22) **Filed:** **Jun. 28, 2004**

The ornamental design for a treble hook, as shown and described.

(51) **LOC (7) Cl. 22-05**

DESCRIPTION

(52) **U.S. Cl. D22/144**

FIG. 1 is a perspective view of the treble hook showing my new design;

(58) **Field of Search D22/144, 145;**

FIG. 2 is a side view thereof;

43/43.16, 44.82, 44.83, 43.2

FIG. 3 is an opposite view thereof;

(56) **References Cited**

U.S. PATENT DOCUMENTS

2,800,740 A 7/1957 Glaze 43/44.82

5,386,660 A * 2/1995 Levin 43/43.16

5,425,195 A * 6/1995 Nakamichi 43/44.82

D371,594 S * 7/1996 Drapak et al. D22/144

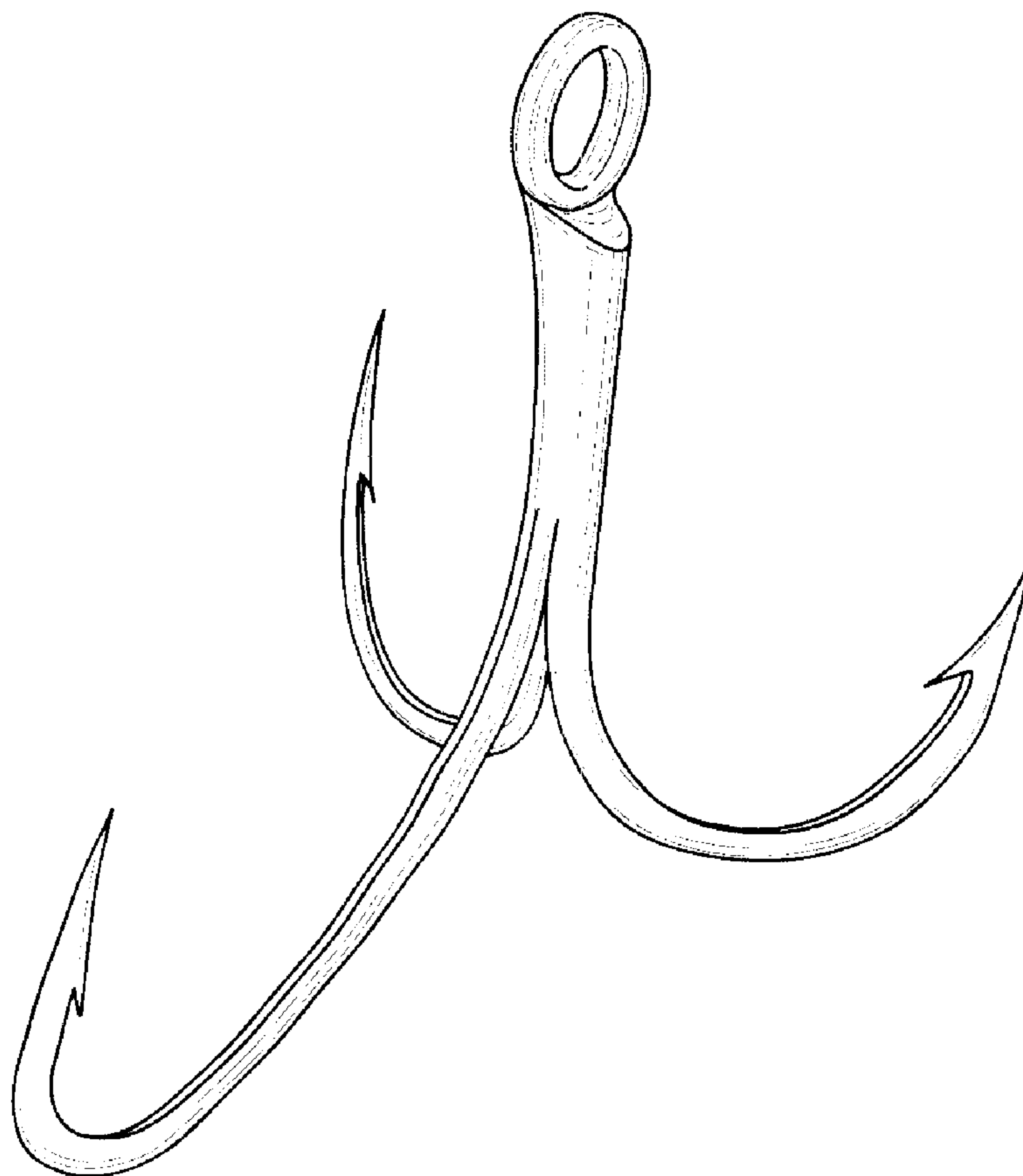
FIG. 4 is a front view thereof;

FIG. 5 is a rear view thereof;

FIG. 6 is a top plan view thereof; and,

FIG. 7 is a bottom view.

1 Claim, 3 Drawing Sheets



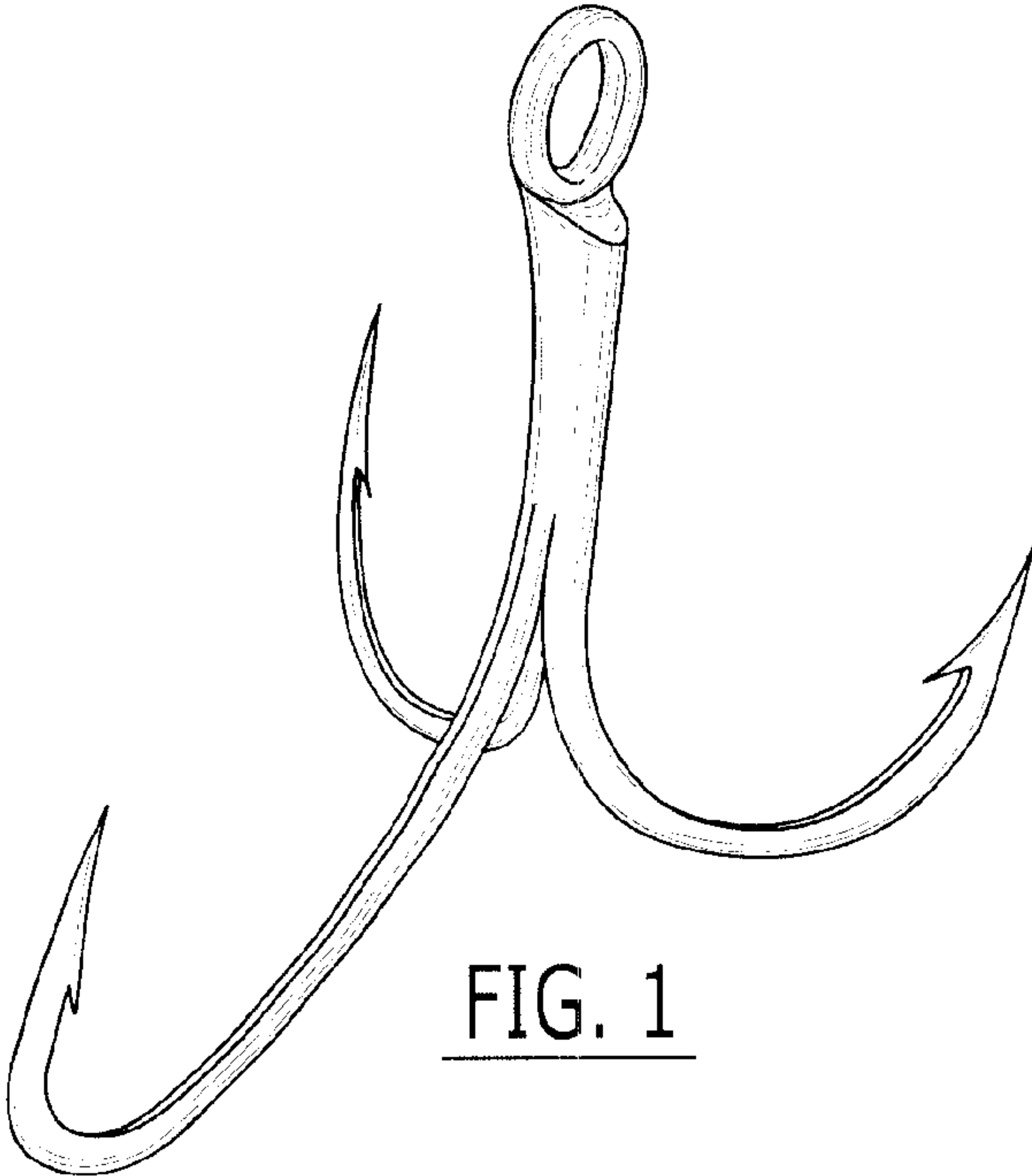


FIG. 1

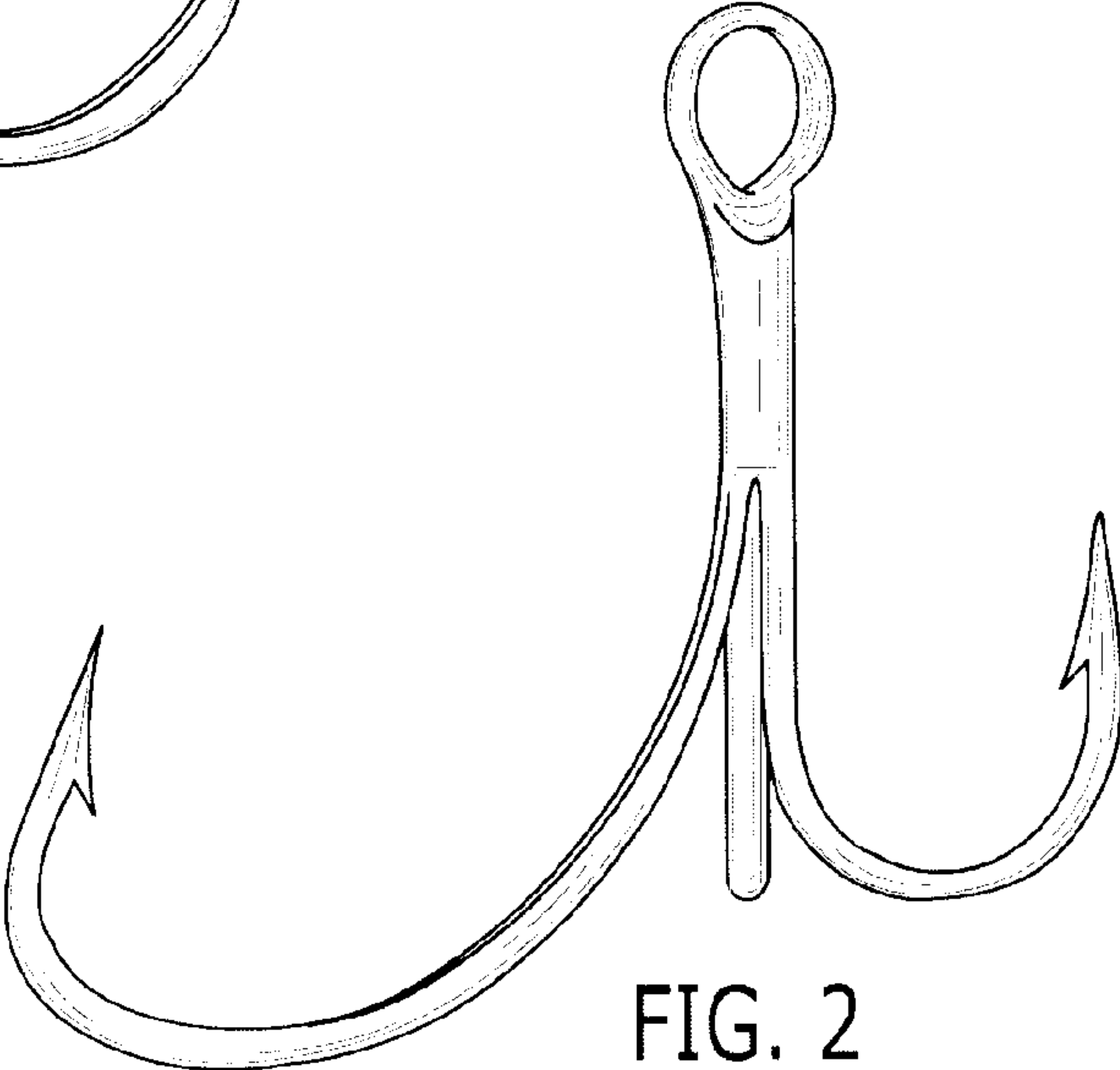


FIG. 2

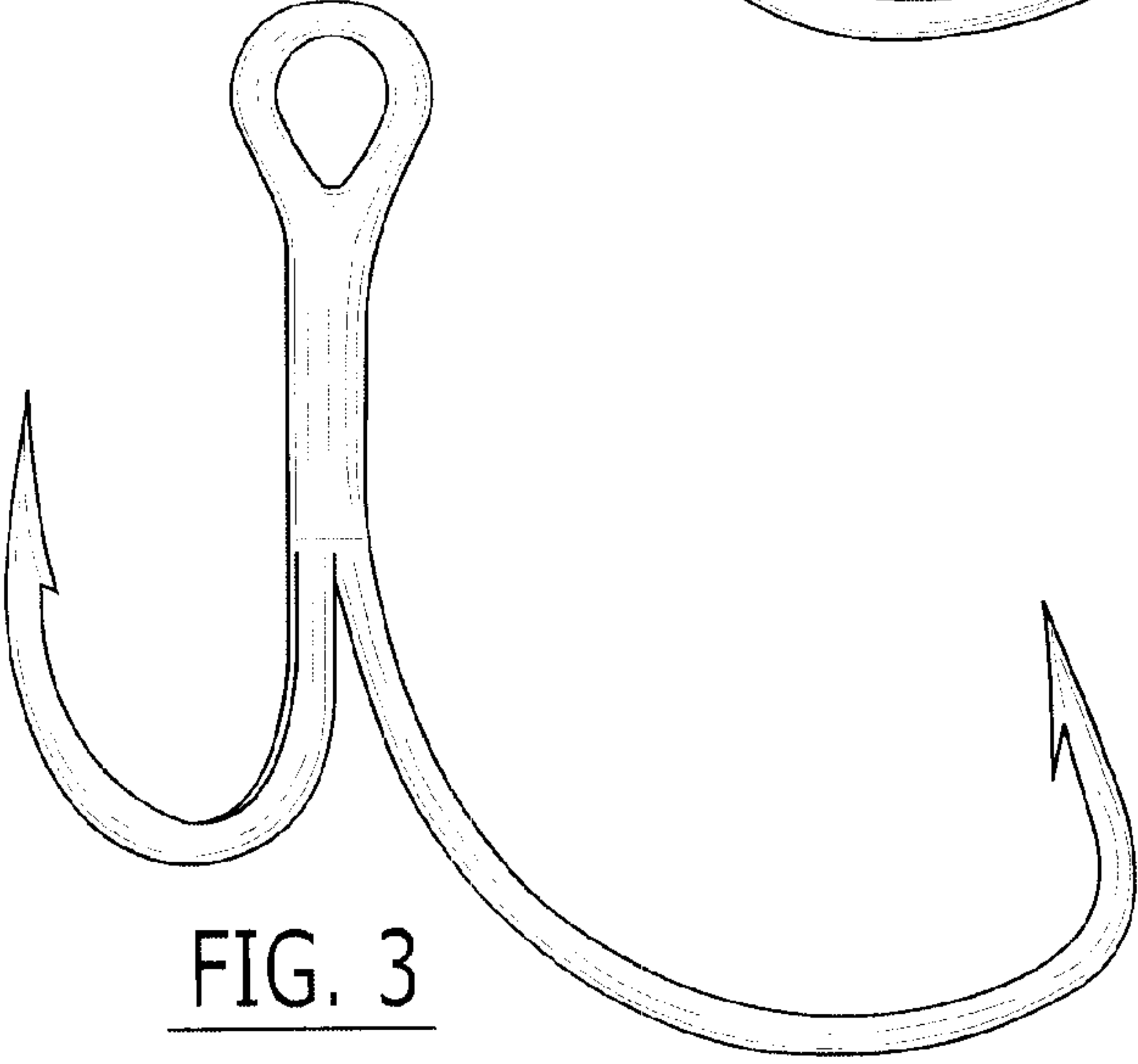


FIG. 3

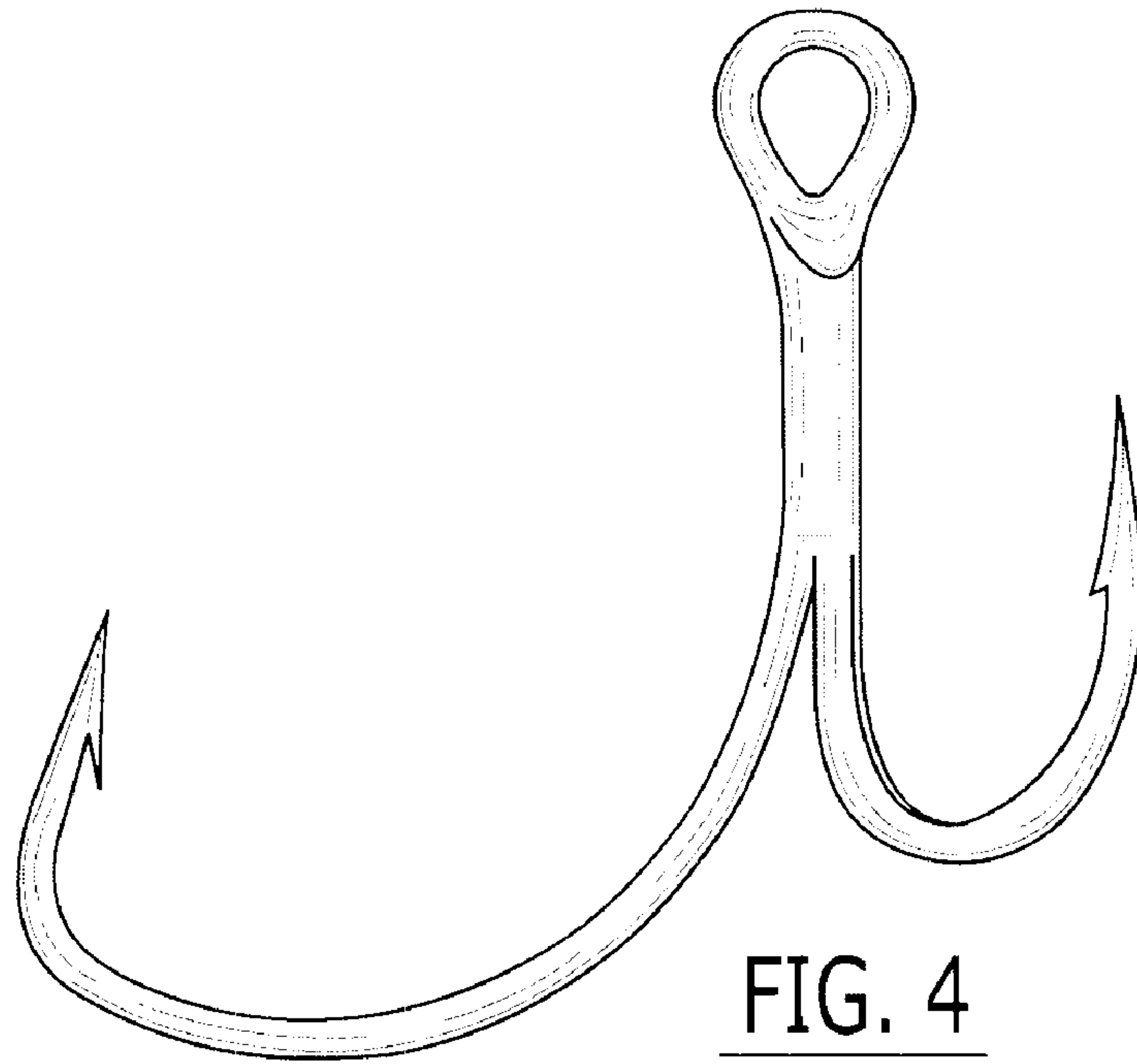


FIG. 4

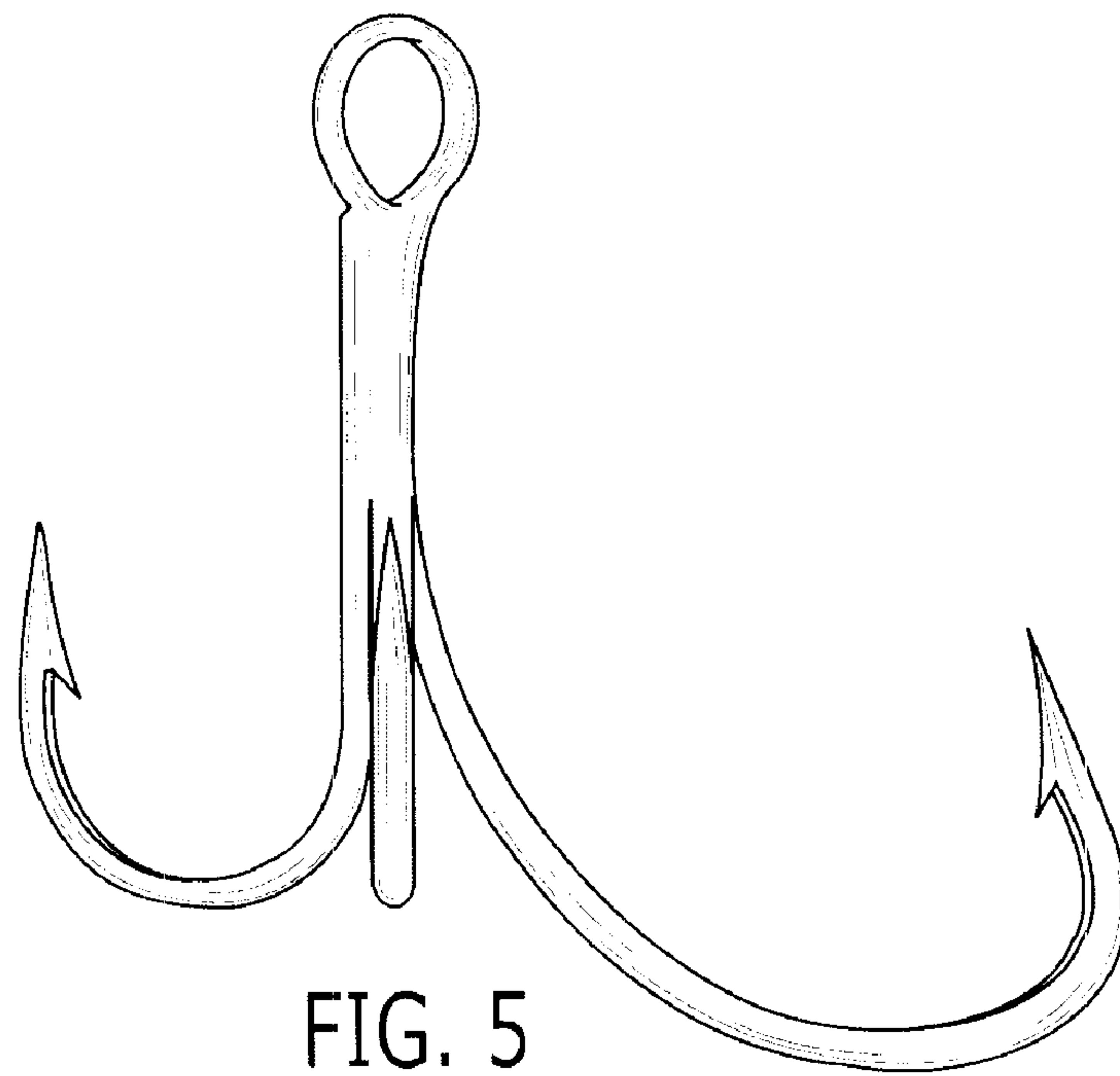


FIG. 5

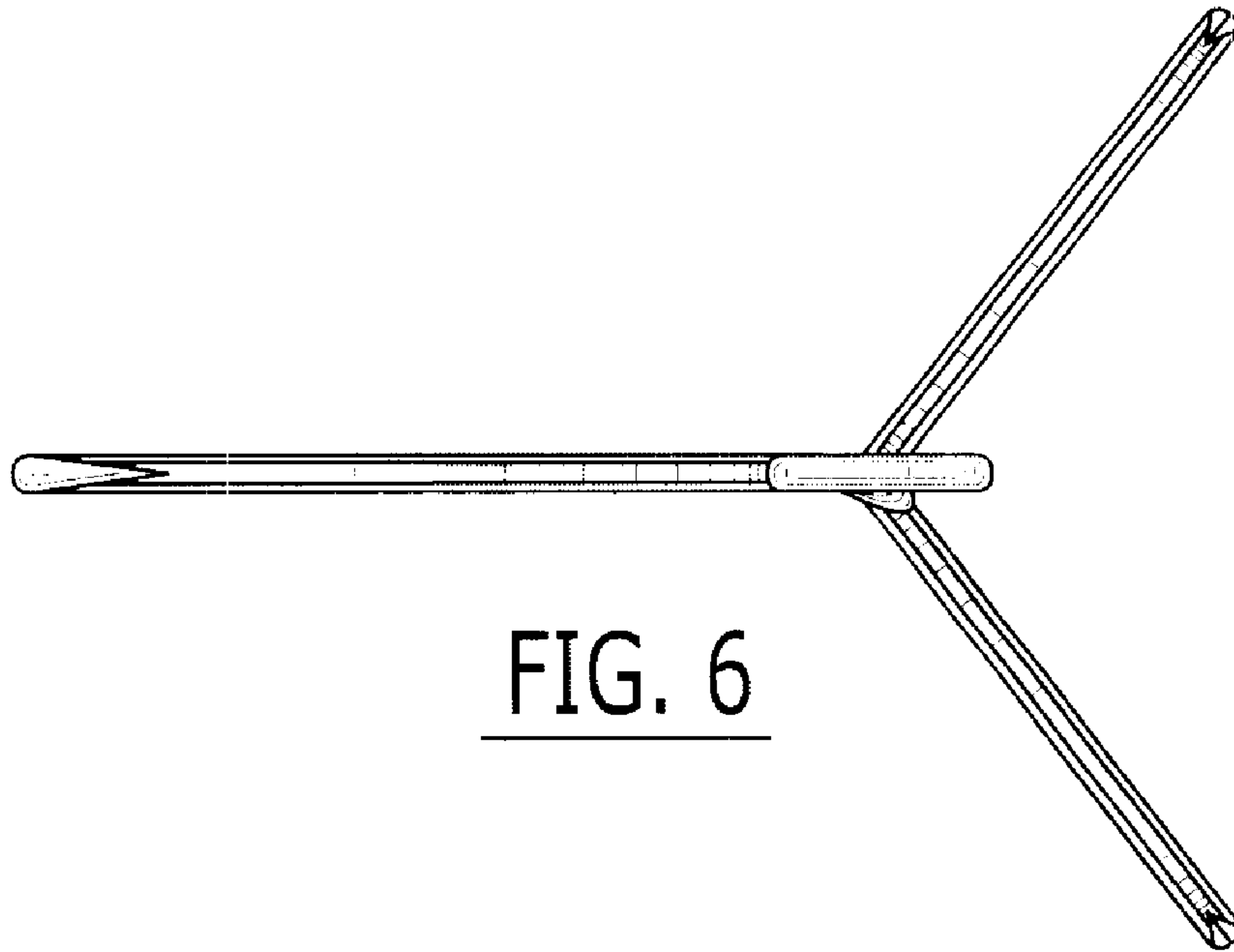


FIG. 6

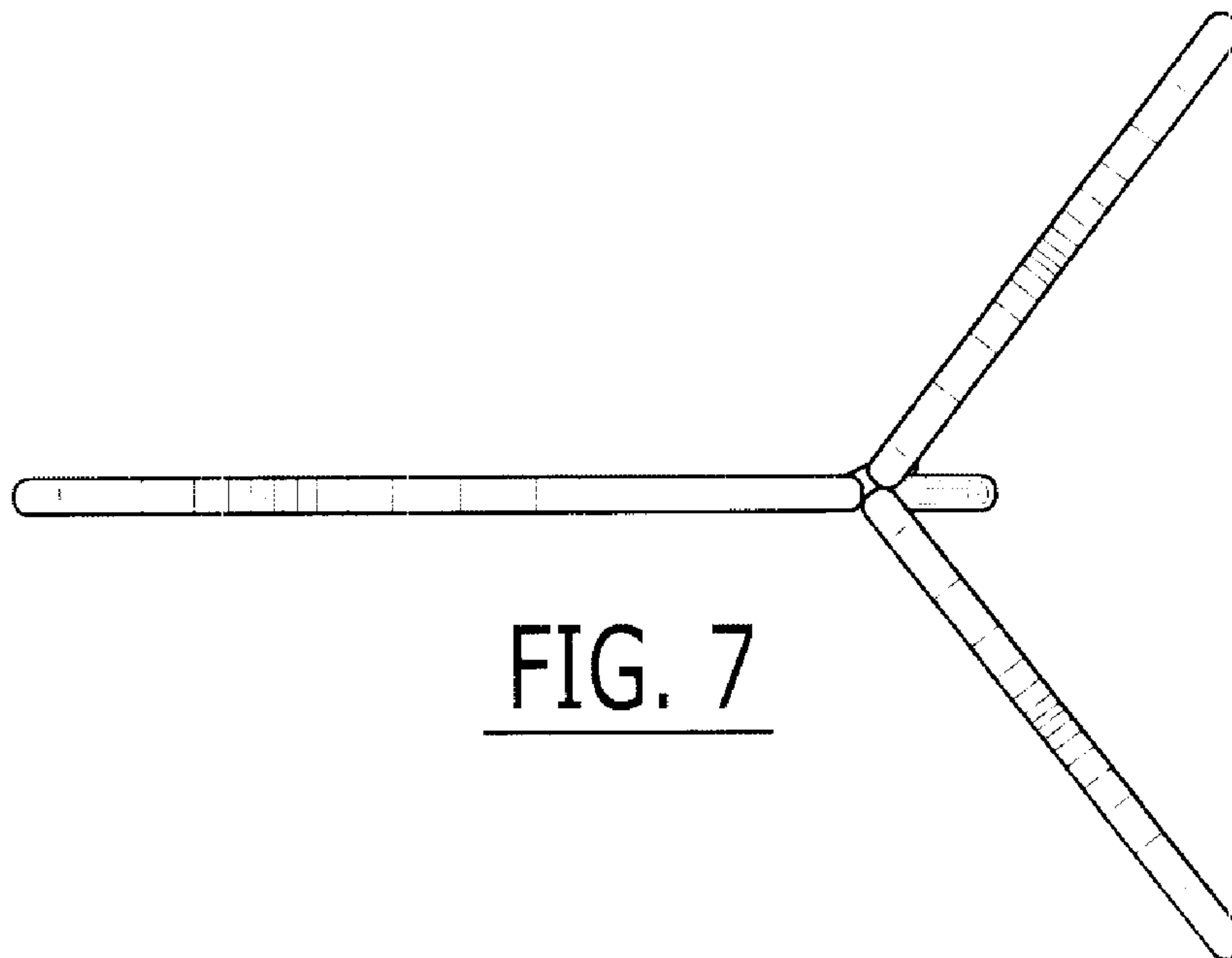


FIG. 7