

US00D505478S

(12) **United States Design Patent**  
**Mondelli et al.**

(10) **Patent No.:** **US D505,478 S**

(45) **Date of Patent:** **\*\* May 24, 2005**

(54) **INSECT REPELLANT DEVICE FOR HAT**

6,049,904 A 4/2000 Siracusa ..... 2/4  
6,233,738 B1 5/2001 Siracusa ..... 2/4  
D451,573 S \* 12/2001 Clark et al. .... D22/122

(76) Inventors: **Charles F. Mondelli**, 345 Crescent St.,  
Pennel, PA (US) 19047-5101; **Charles**  
**J. Mondelli**, 345 Crescent St., Pennel,  
PA (US) 19047-5101

\* cited by examiner

*Primary Examiner*—Catherine R. Oliver

(74) *Attorney, Agent, or Firm*—Donald R. Schoonover

(\*\*) Term: **14 Years**

(57) **CLAIM**

(21) Appl. No.: **29/206,128**

We claim the ornamental design for an insect repellent device for hat, as shown and described.

(22) Filed: **May 27, 2004**

(51) **LOC (7) Cl.** ..... **22-06**

(52) **U.S. Cl.** ..... **D22/122**

(58) **Field of Search** ..... D22/119–124;  
D2/865–866; 2/410, 4; 43/107, 131, 132.1,  
133, 124

**DESCRIPTION**

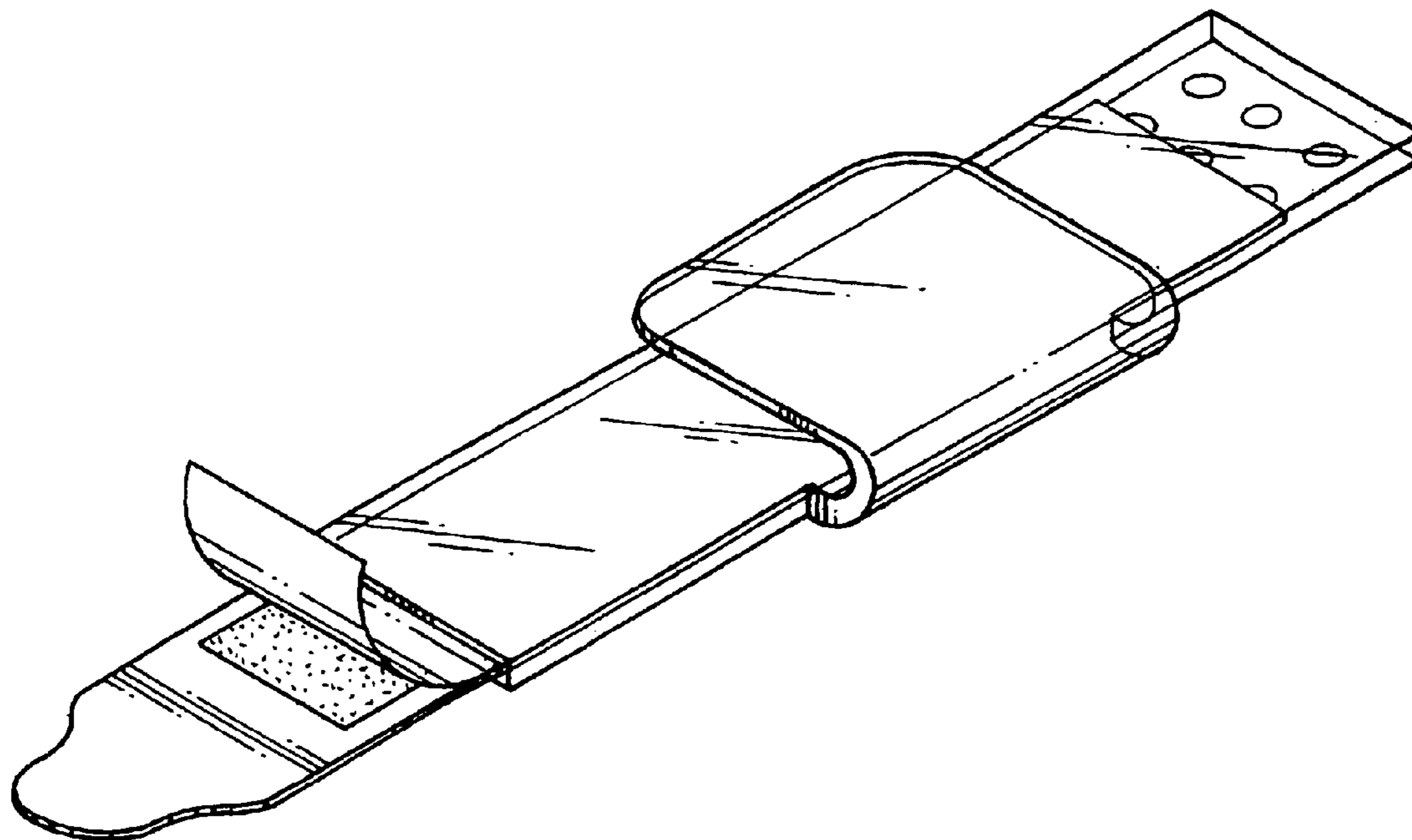
(56) **References Cited**

**U.S. PATENT DOCUMENTS**

4,697,289 A \* 10/1987 Luigi ..... 2/4  
4,887,319 A 12/1989 Daniels ..... 2/410  
D357,724 S \* 4/1995 Byom ..... D22/122  
D367,549 S 2/1996 Deziel ..... D29/106  
5,567,038 A 10/1996 Lary ..... 362/106  
5,676,094 A 10/1997 Gun-Munro ..... 119/850  
D407,537 S \* 4/1999 Simpson ..... D2/865

FIG. 1 is a perspective view of an insect repellent device for hat showing our new design;  
FIG. 2 is a left side elevational view thereof;  
FIG. 3 is a right side elevational view thereof;  
FIG. 4 is an end elevational view thereof;  
FIG. 5 is an elevational view of the opposing end thereof;  
FIG. 6 is a top plan view thereof;  
FIG. 7 is a bottom plan view thereof; and,  
FIG. 8 is a reduced perspective view showing the insect repellent device for hat in use; the broken lines depict environmental structure for illustrative purposes only and form no part of the claimed design.

**1 Claim, 3 Drawing Sheets**



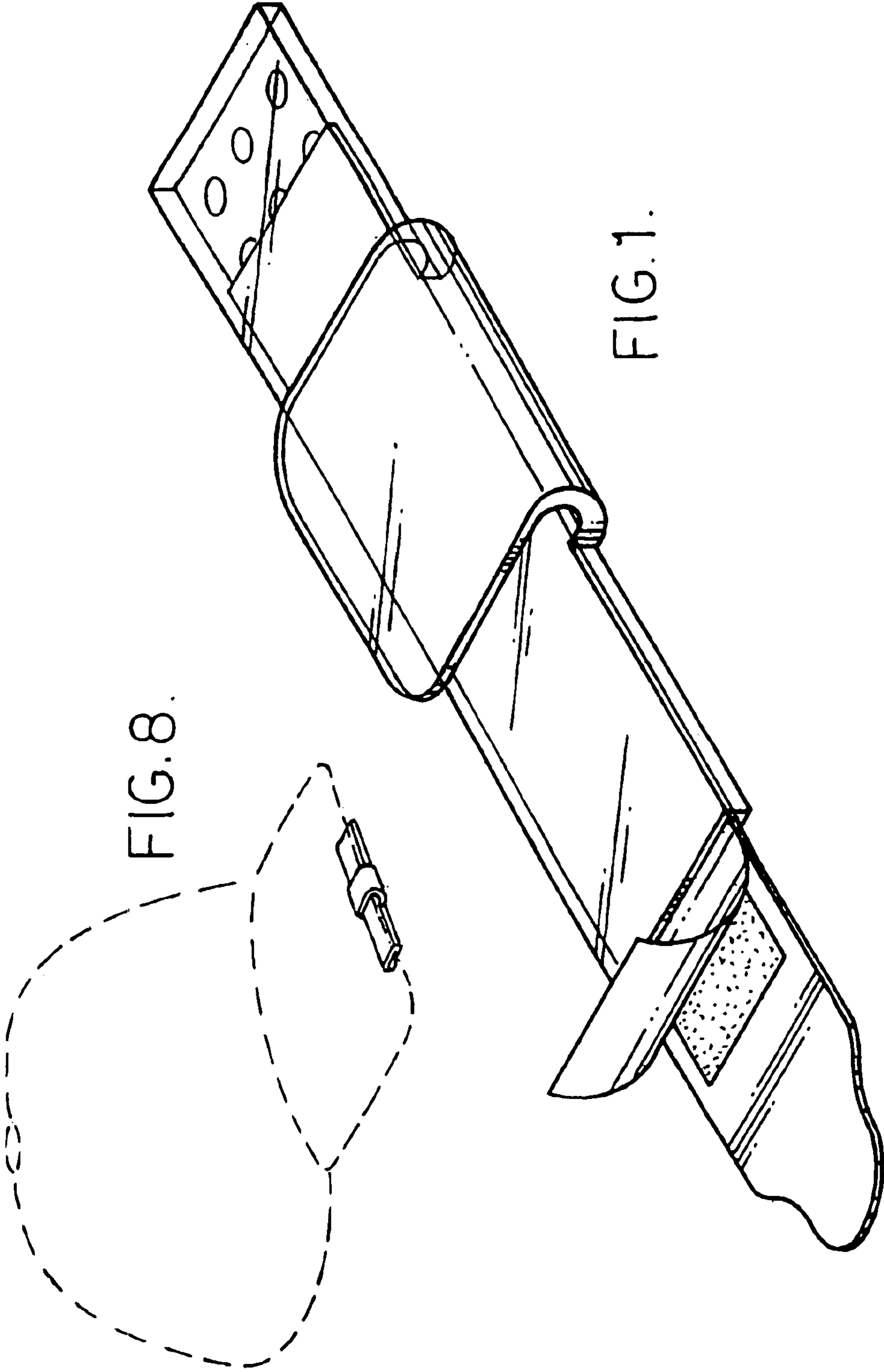


FIG. 8.

FIG. 1.



FIG. 2.

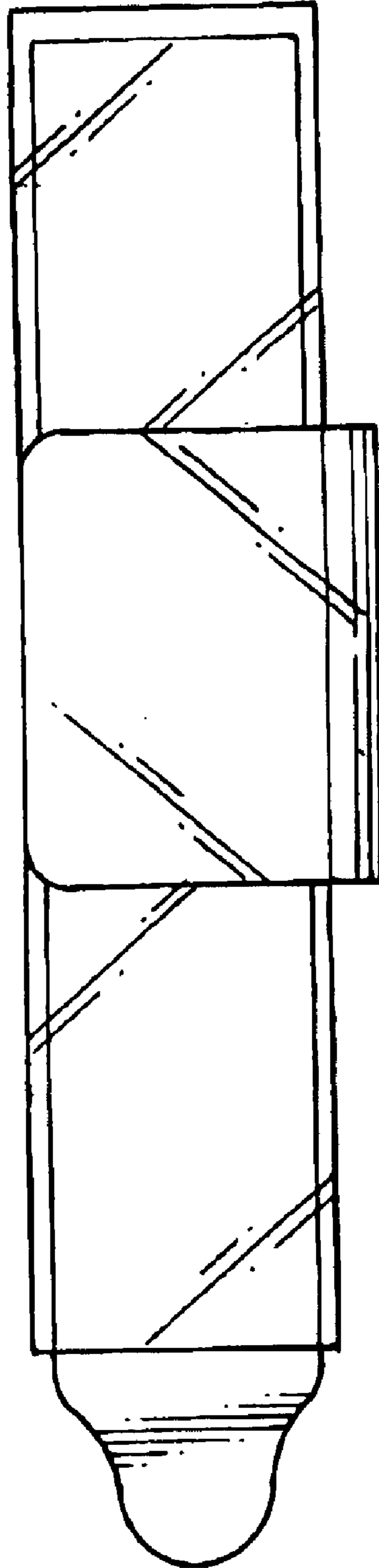


FIG. 6.

FIG. 4.



FIG. 5.



FIG. 3.



FIG. 7.

