

US00D505475S

(12) **United States Design Patent**
Salva

(10) **Patent No.:** **US D505,475 S**
(45) **Date of Patent:** **** May 24, 2005**

(54) **AIR CHARGED PISTOL**
(75) **Inventor:** **Francisco Casas Salva, Barcelona (ES)**
(73) **Assignee:** **Industrias El Gamo, S.A., Barcelona (ES)**
(**) **Term:** **14 Years**

5,042,185 A * 8/1991 Justice, Sr. 42/70.11
D359,098 S * 6/1995 Stevens D22/104
5,465,520 A * 11/1995 Cupp 42/71.02
6,073,381 A * 6/2000 Farrar et al. 42/71.02
D464,702 S * 10/2002 Mauch et al. D22/104
D479,570 S * 9/2003 Scheunert D22/104
D479,571 S * 9/2003 Benini D22/108

* cited by examiner

(21) **Appl. No.:** **29/182,306**
(22) **Filed:** **May 22, 2003**
(30) **Foreign Application Priority Data**

Nov. 25, 2002 (ES) 155620

(51) **LOC (7) Cl.** **22-01**
(52) **U.S. Cl.** **D22/104**
(58) **Field of Search** D22/100, 104,
D22/105, 108, 199; D21/567, 570, 573,
574, 575; 42/1.02, 7, 50, 65, 70.11, 71.02,
74, 75.03, 117; 124/22, 37, 40; 362/114

(56) **References Cited**

U.S. PATENT DOCUMENTS

4,358,987 A * 11/1982 Wilhelm 89/196
D274,926 S * 7/1984 Giragosian D22/104

Primary Examiner—Louis S. Zarfaz
Assistant Examiner—Melanie Levy
(74) *Attorney, Agent, or Firm*—Fleshner & Kim, LLP

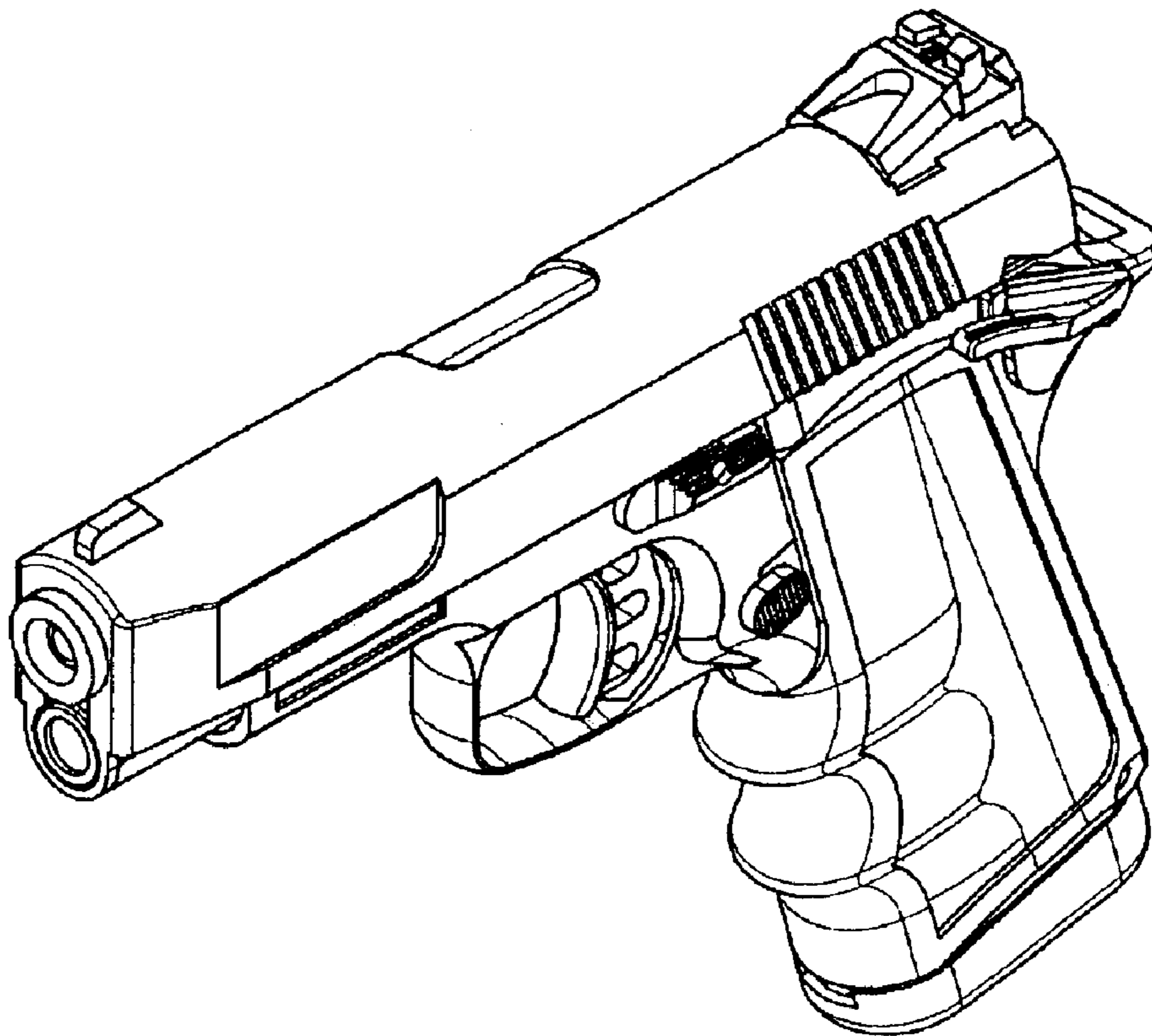
(57) **CLAIM**

The ornamental design for an air charged pistol, as shown and described.

DESCRIPTION

FIG. 1 is a top right perspective view of an air charged pistol showing my new design.
FIG. 2 is a right side elevational view thereof.
FIG. 3 is a left side elevational view thereof.
FIG. 4 is a front elevational view thereof; and,
FIG. 5 is a rear elevational view thereof.

1 Claim, 2 Drawing Sheets



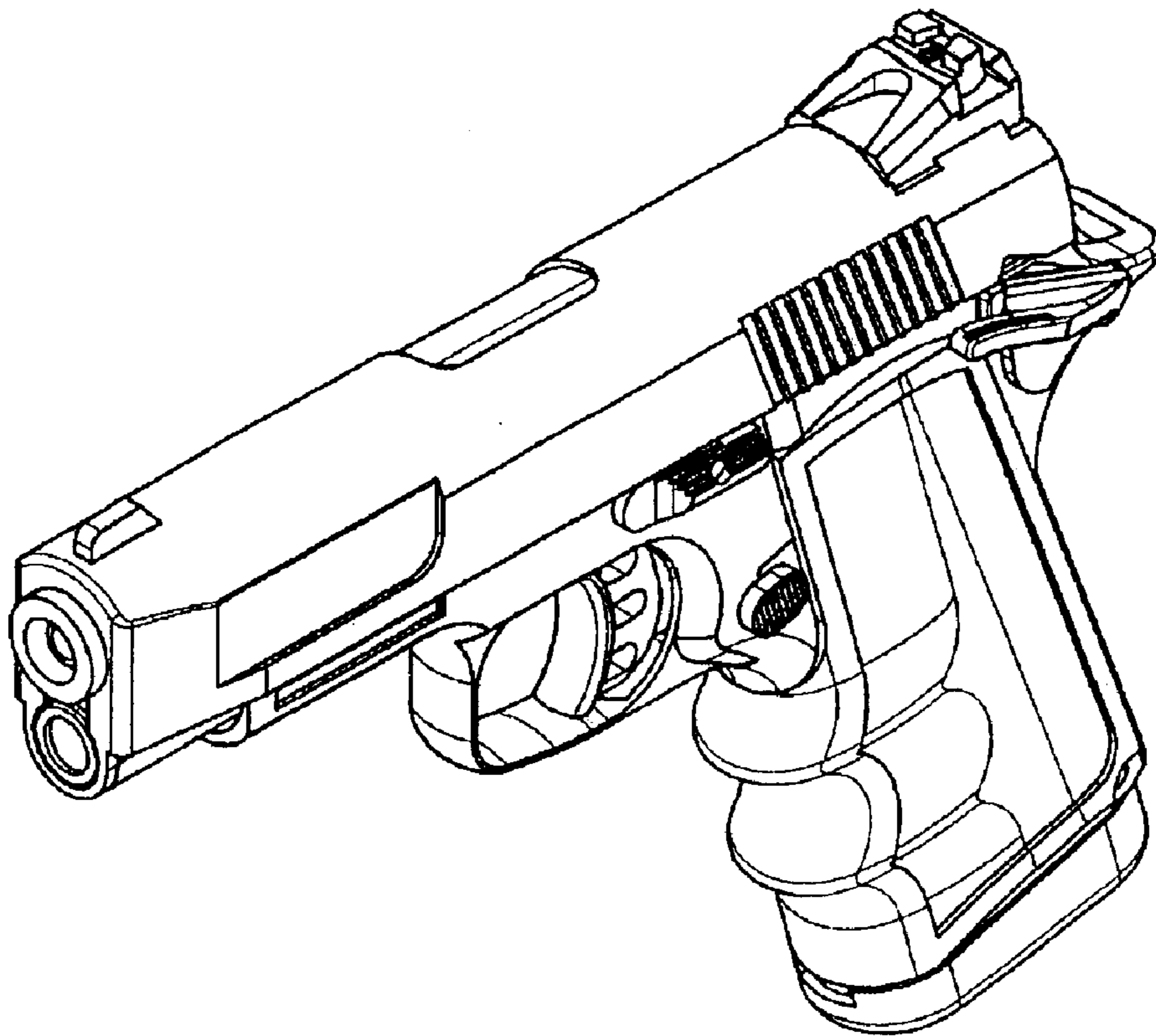


FIG. 1

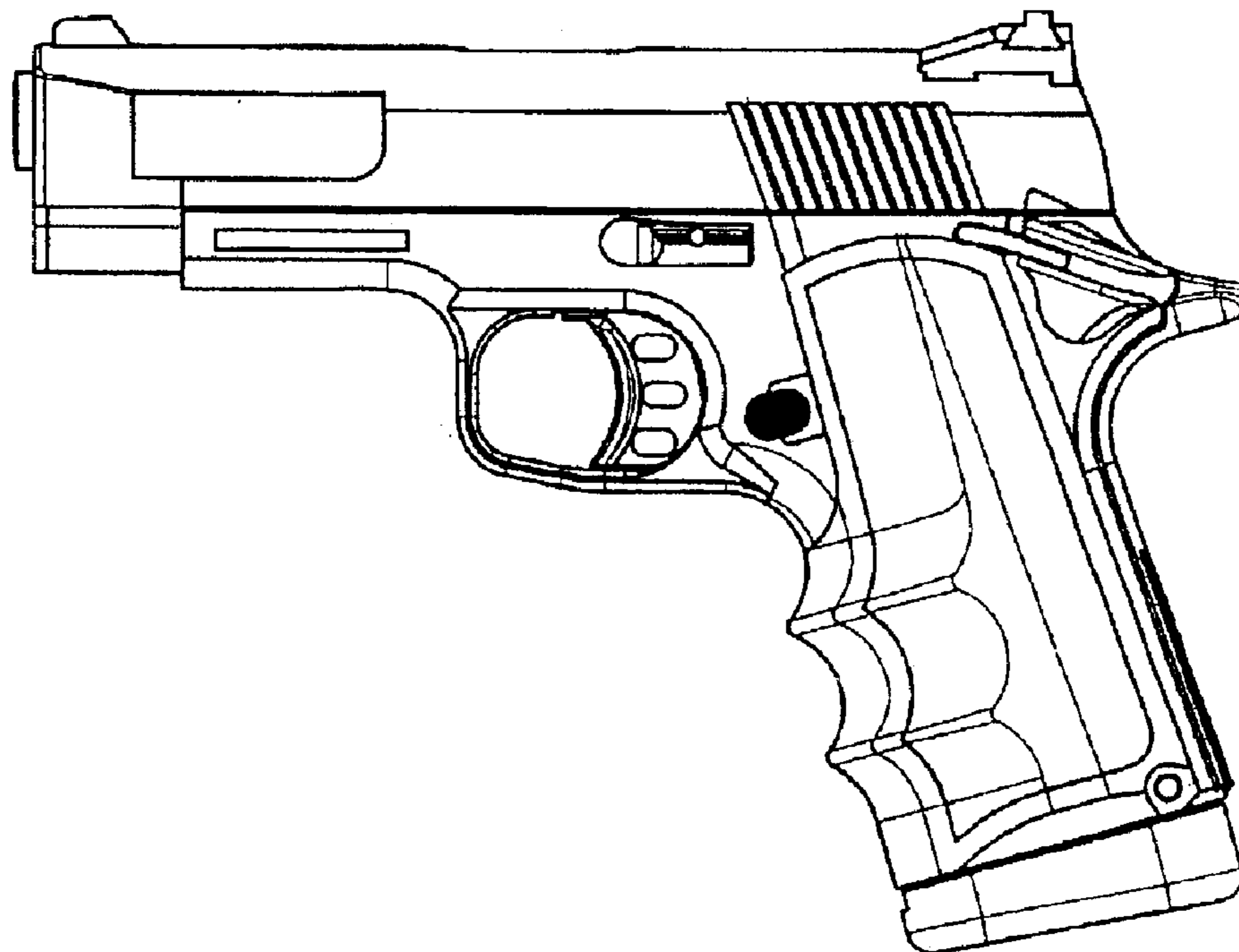


FIG. 2

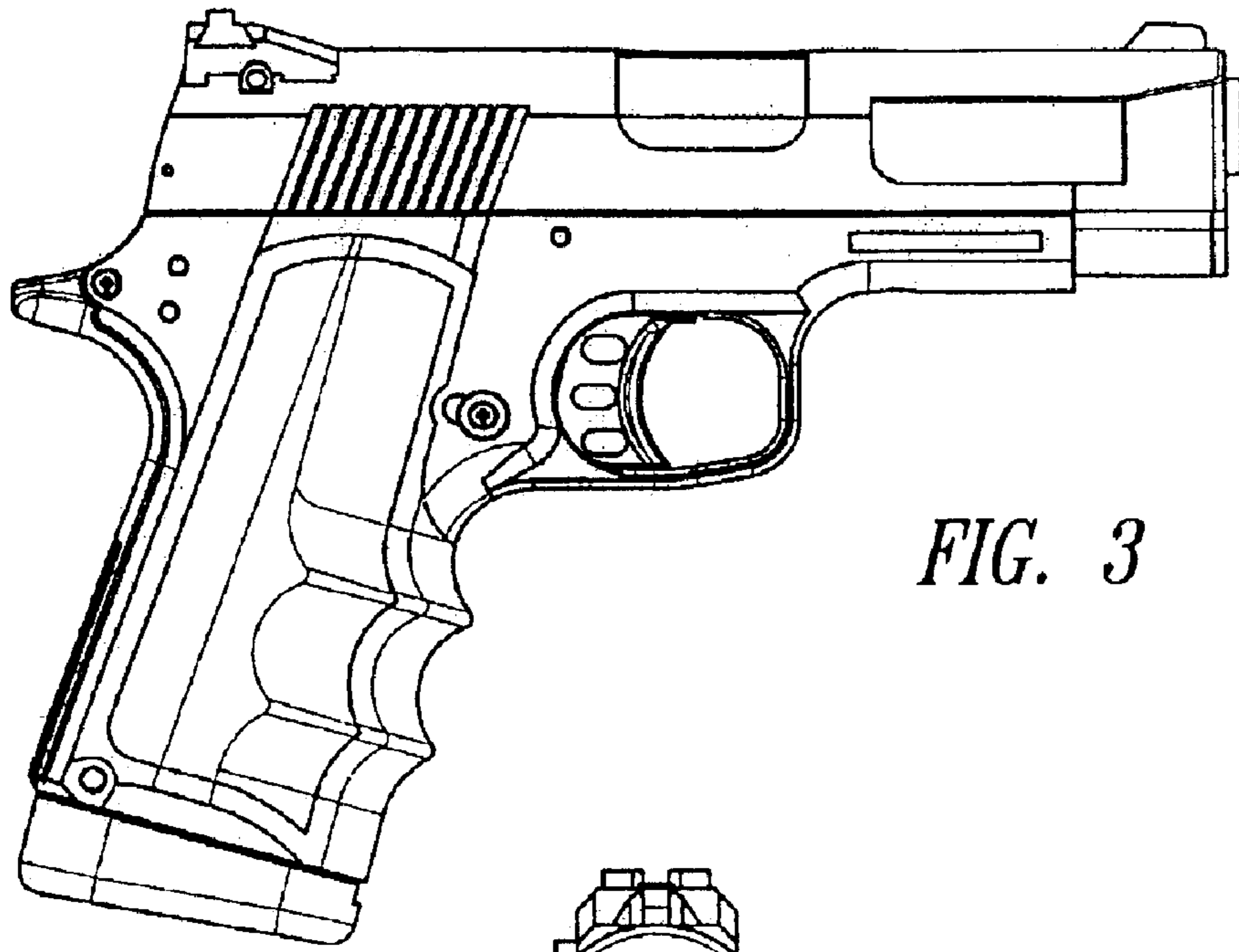


FIG. 3

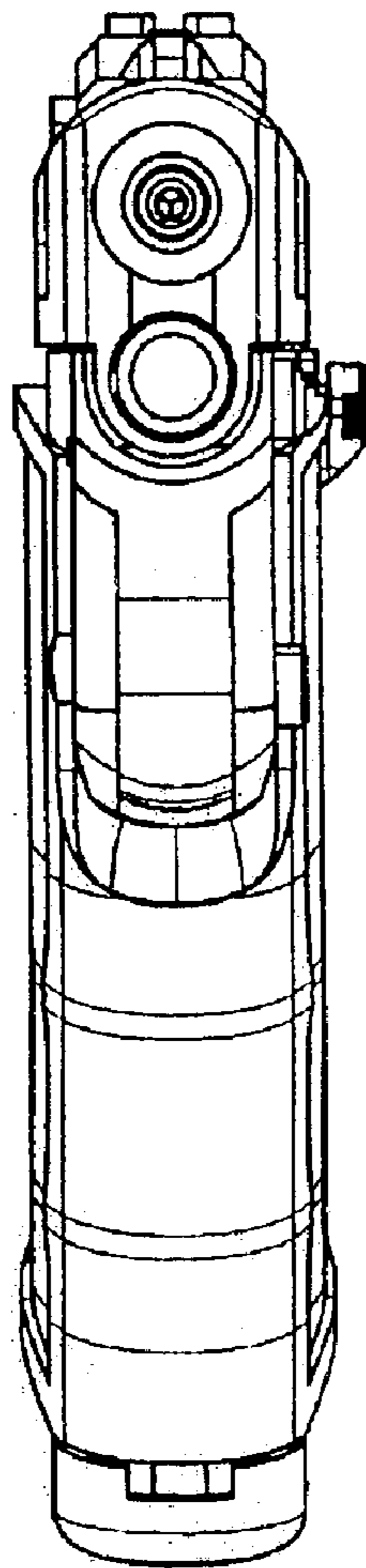


FIG. 4

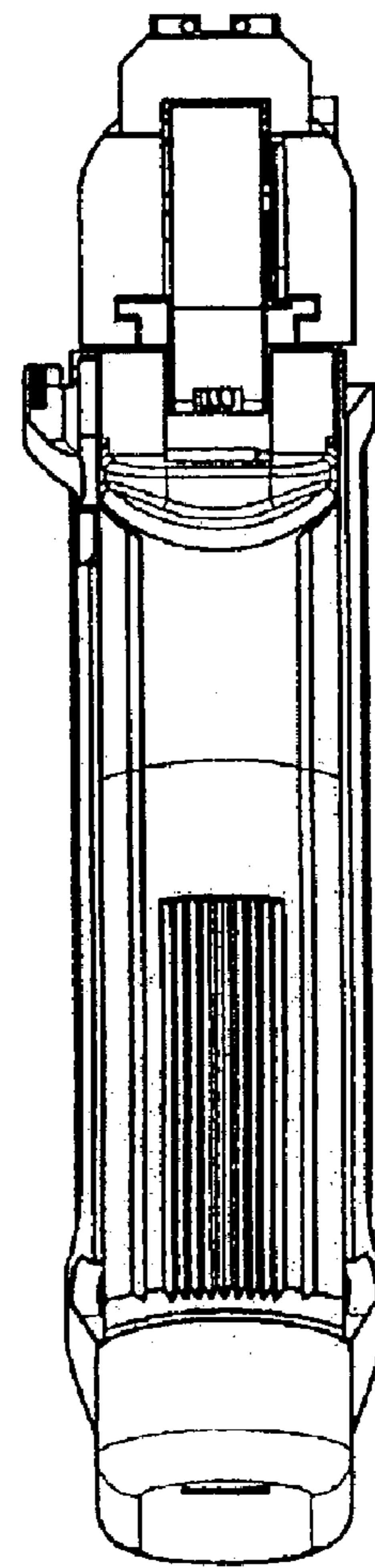


FIG. 5