



US00D505472S

(12) **United States Design Patent**
Doherty et al.

(10) **Patent No.:** **US D505,472 S**
(45) **Date of Patent:** **** May 24, 2005**

(54) **GOLF PRACTICE TARGET**
(75) Inventors: **Thomas M. Doherty**, Golden, CO
(US); **Eric Hansen**, Littleton, CO (US)

D352,537 S * 11/1994 Pifer et al. D21/789
D418,883 S * 1/2000 Cho D21/705
D449,084 S * 10/2001 Walters D21/705
6,514,149 B2 * 2/2003 Yoon 473/197

(73) Assignee: **Classic Sport Companies, Inc.**,
Broomfield, CO (US)

* cited by examiner

(**) Term: **14 Years**

Primary Examiner—Mitchell Siegel
(74) *Attorney, Agent, or Firm*—Holland & Hart

(21) Appl. No.: **29/199,400**

(57) **CLAIM**

(22) Filed: **Feb. 13, 2004**

The ornamental design for a golf practice target, as shown and described.

(51) **LOC (7) Cl.** **21-02**
(52) **U.S. Cl.** **D21/791; D21/790**
(58) **Field of Search** D21/789–791,
D21/705; 294/19.2; 43/7, 11, 4; 473/172,
195, 197, 476, 478, 439; 135/121, 126,
905

DESCRIPTION

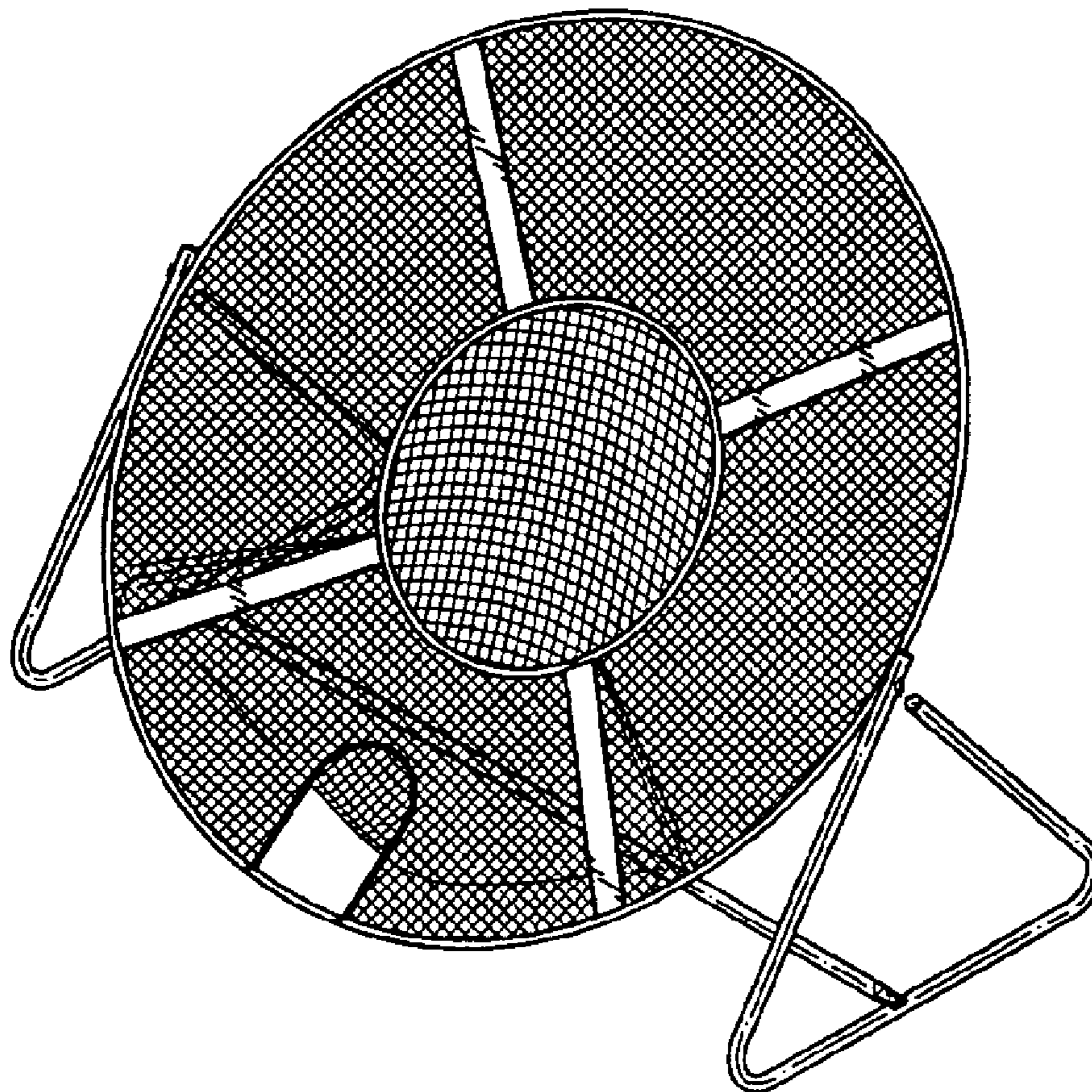
FIG. 1 is a top bottom perspective view of a golf practice target showing our new design;
FIG. 2 is a front side elevation view thereof,
FIG. 3 is a rear side elevation view thereof,
FIG. 4 is a right side elevation view thereof,
FIG. 5 is a left side elevation view thereof;
FIG. 6 is a top plan view thereof; and,
FIG. 7 is a bottom plan view thereof.

(56) **References Cited**

U.S. PATENT DOCUMENTS

D205,040 S * 6/1966 Burns D21/790

1 Claim, 4 Drawing Sheets



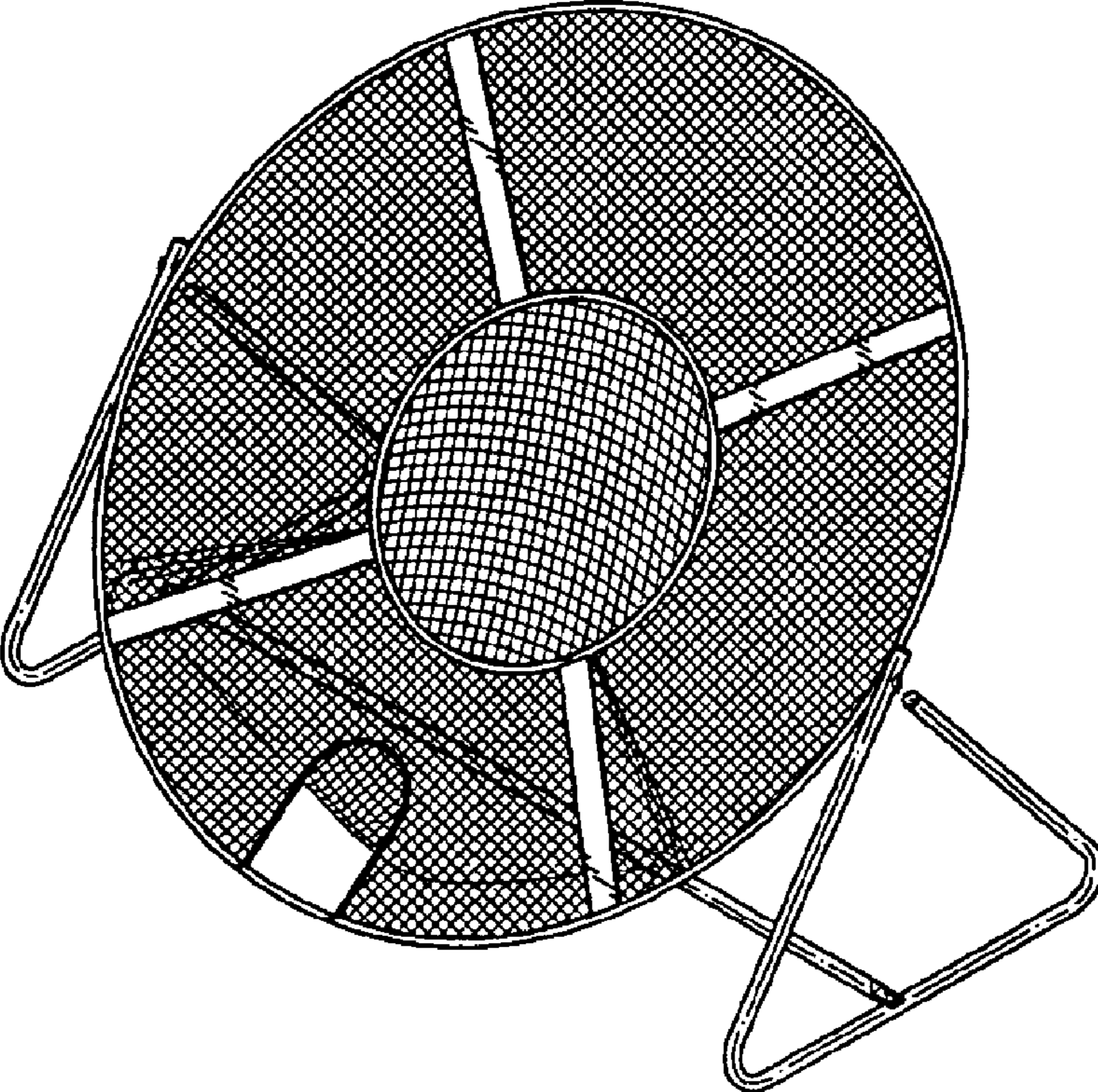


FIG. 1

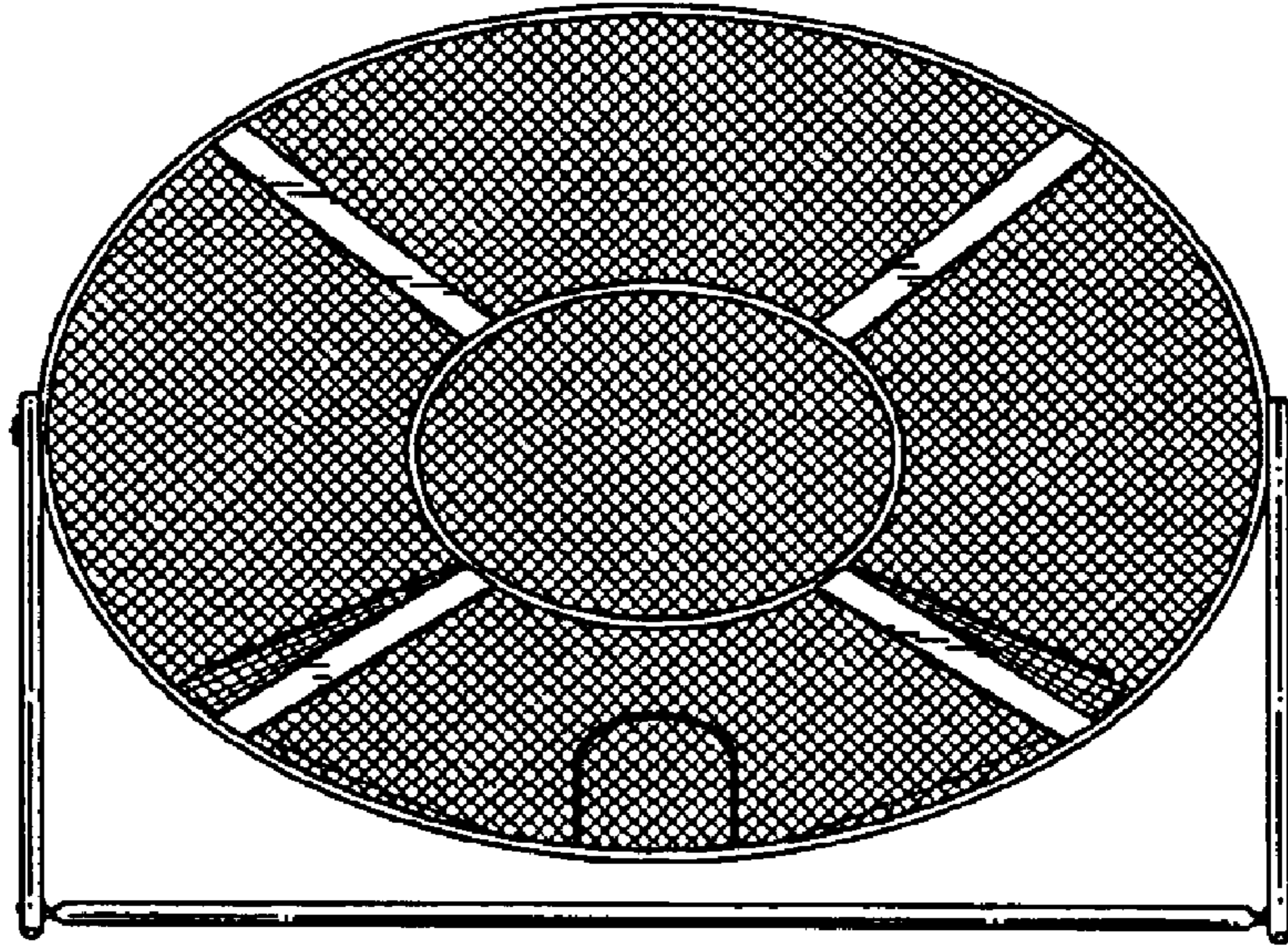


FIG. 2

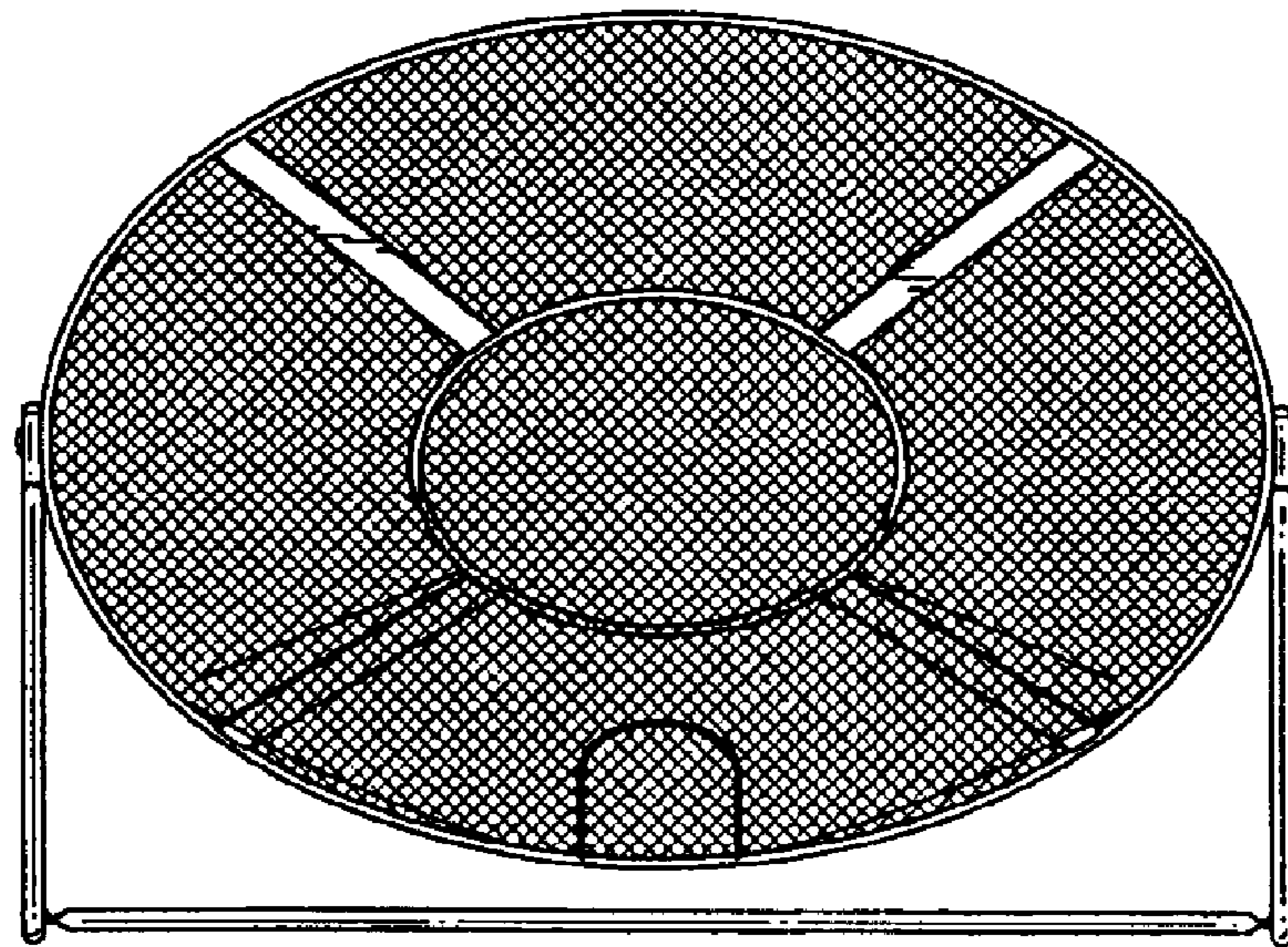


FIG. 3

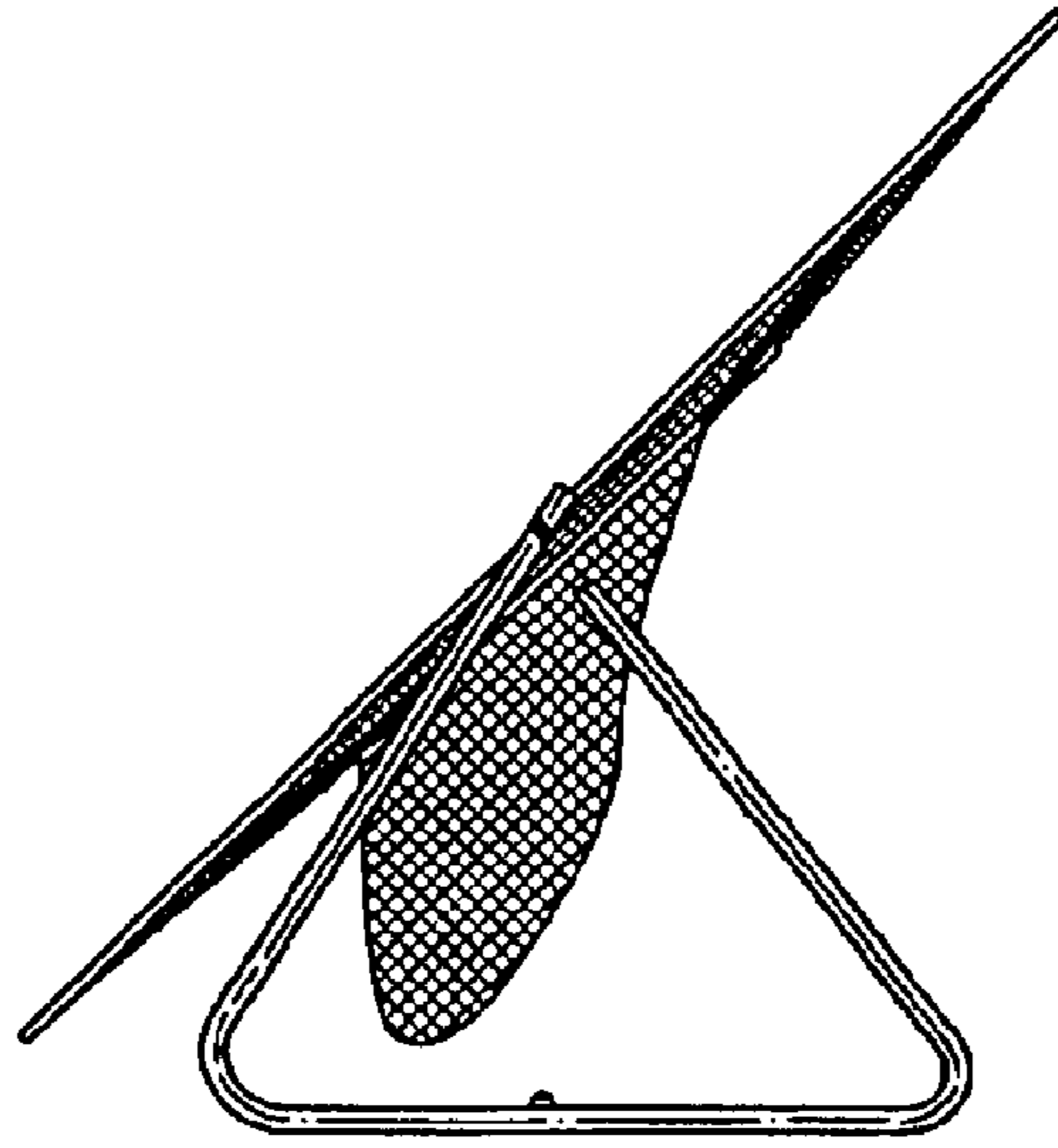


FIG. 4

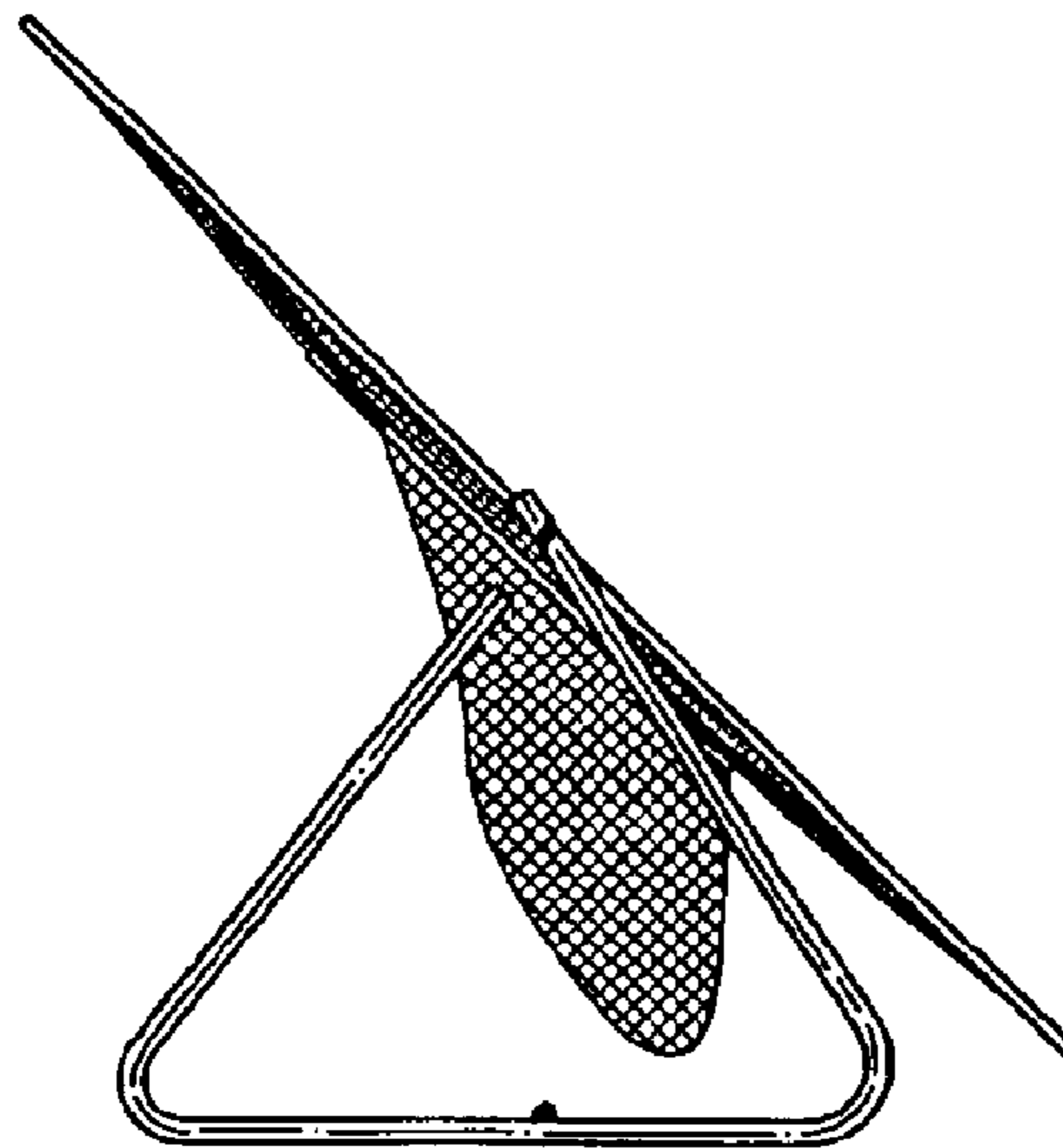


FIG. 5

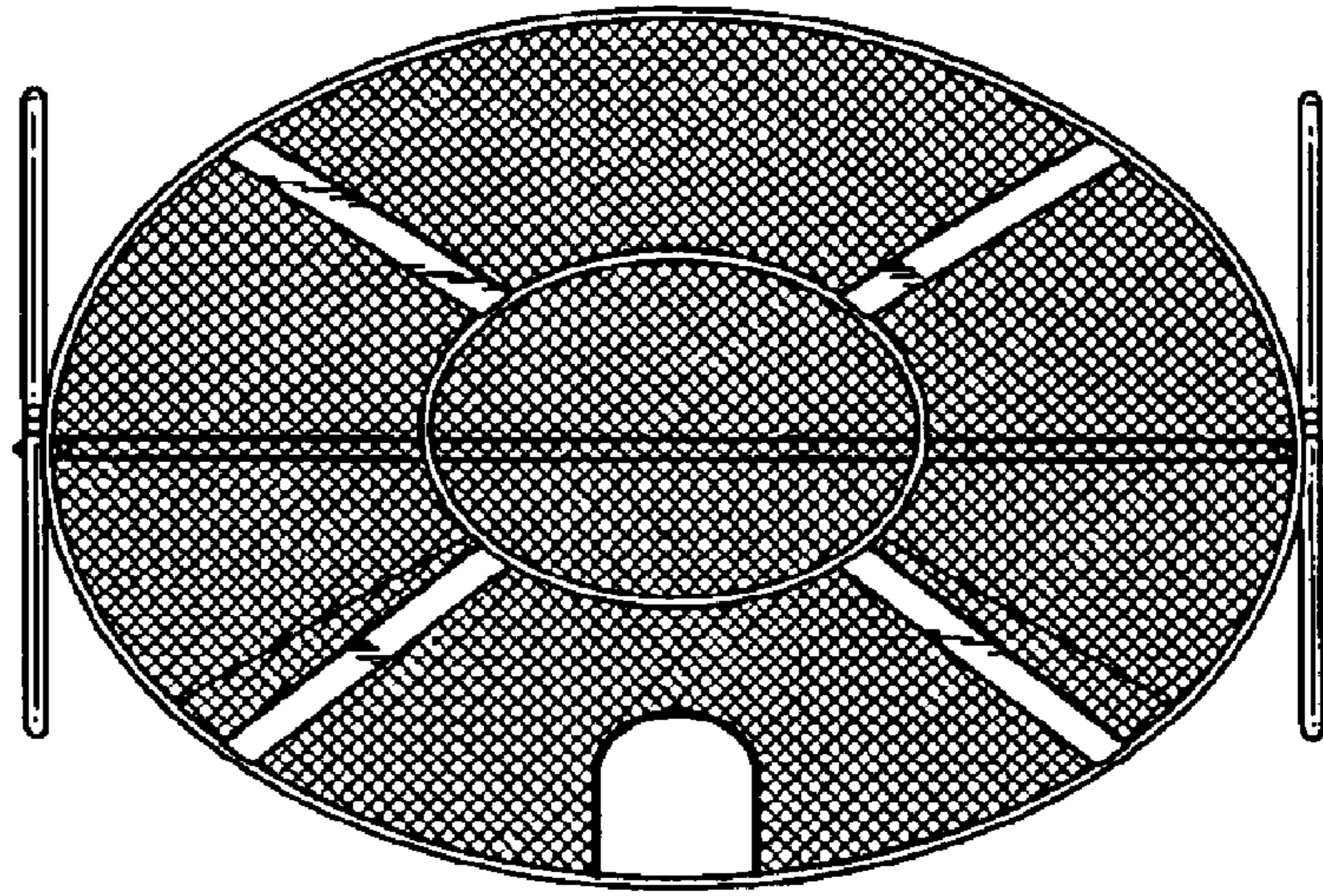


FIG.6

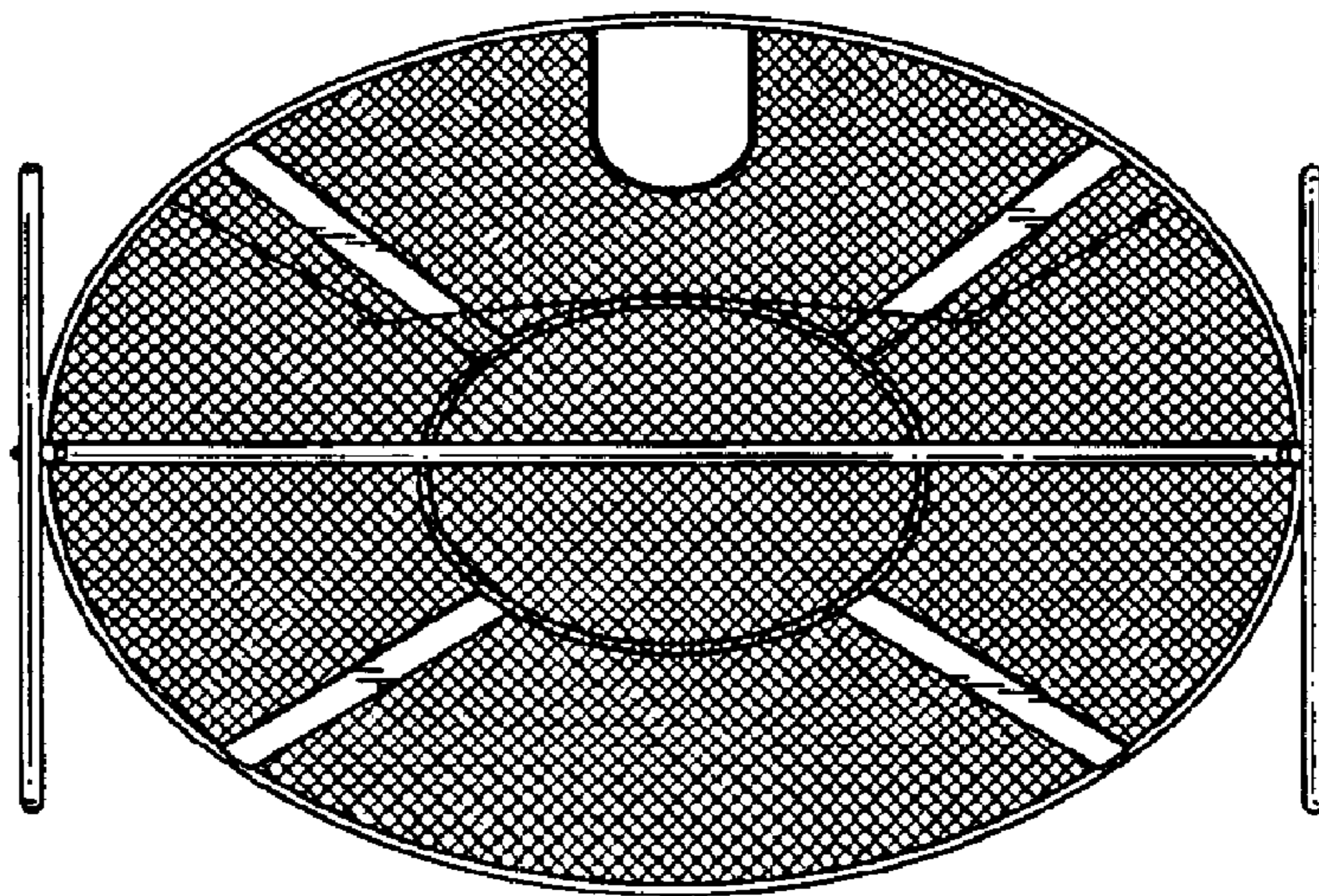


FIG.7