

US00D505470S

(12) **United States Design Patent**  
**Hong**

(10) **Patent No.:** **US D505,470 S**  
(45) **Date of Patent:** **\*\* May 24, 2005**

(54) **FOLDING SKATEBOARD**

(76) **Inventor:** **Thomas K. Hong**, 1666 Queen Street East, Unit 18, Toronto, ON (CA), M4L 1G3

(\*\*) **Term:** **14 Years**

(21) **Appl. No.:** **29/208,649**

(22) **Filed:** **Jul. 2, 2004**

(51) **LOC (7) Cl.** ..... **21-02**

(52) **U.S. Cl.** ..... **D21/765**

(58) **Field of Search** ..... D21/419-435,  
D21/533, 548-551, 760, 763, 765, 771;  
280/87.01, 87.021, 87.03, 87.041, 87.042,  
87.05, 11.19, 11.28; 446/465, 470

(56) **References Cited**

**U.S. PATENT DOCUMENTS**

- 6,131,931 A \* 10/2000 Globerson et al. .... 280/87.05
- 6,386,562 B1 \* 5/2002 Kuo ..... 280/87.042
- D473,905 S \* 4/2003 Schnuckle et al. .... D21/765

\* cited by examiner

*Primary Examiner*—Raphael Barkai

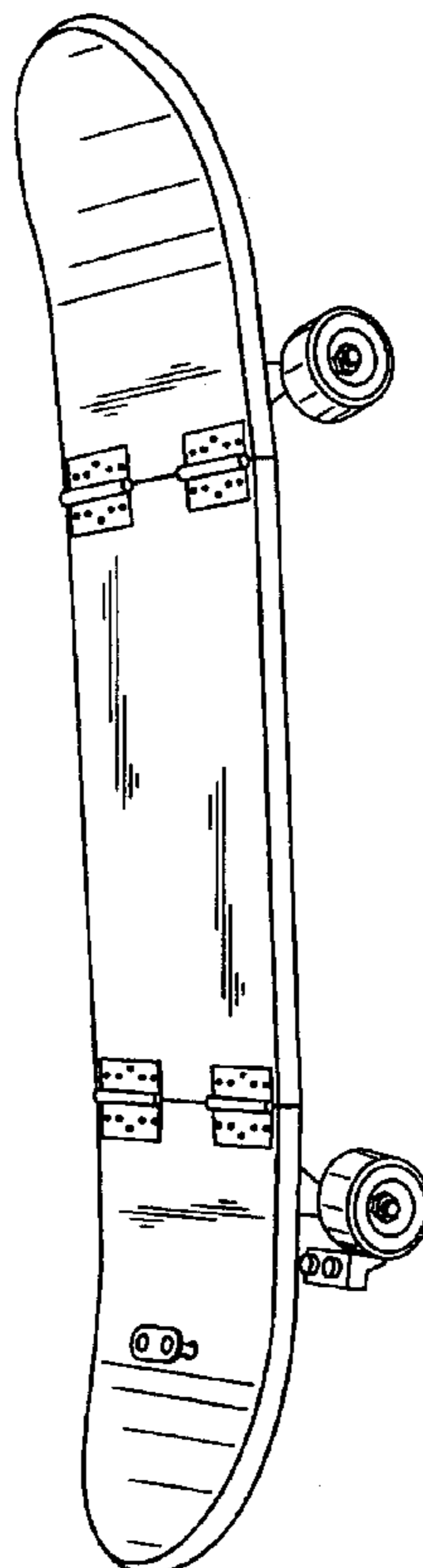
(57) **CLAIM**

The ornamental design for a folding skateboard, as shown and described.

**DESCRIPTION**

FIG. 1 is a top perspective view of the folding skateboard in an extended position;  
 FIG. 2 is a top plan view of the folding skateboard in an extended position;  
 FIG. 3 is a bottom plan view of the folding skateboard in an extended position;  
 FIG. 4 is a left side elevational view of the folding skateboard in an extended position;  
 FIG. 5 is a front end elevational view of the folding skateboard in an extended position;  
 FIG. 6 is a rear end elevational view of the folding skateboard in an extended position;  
 FIG. 7 is a bottom perspective view of the folding skateboard in a folded position;  
 FIG. 8 is a top plan view of the folding skateboard in a folded position;  
 FIG. 9 is a bottom plan view of the folding skateboard in a folded position;  
 FIG. 10 is a right side elevational view of the folding skateboard in a folded position;  
 FIG. 11 is a front end elevational view of the folding skateboard in a folded position; and,  
 FIG. 12 is a rear end elevational view of the folding skateboard in a folded position.

**1 Claim, 5 Drawing Sheets**



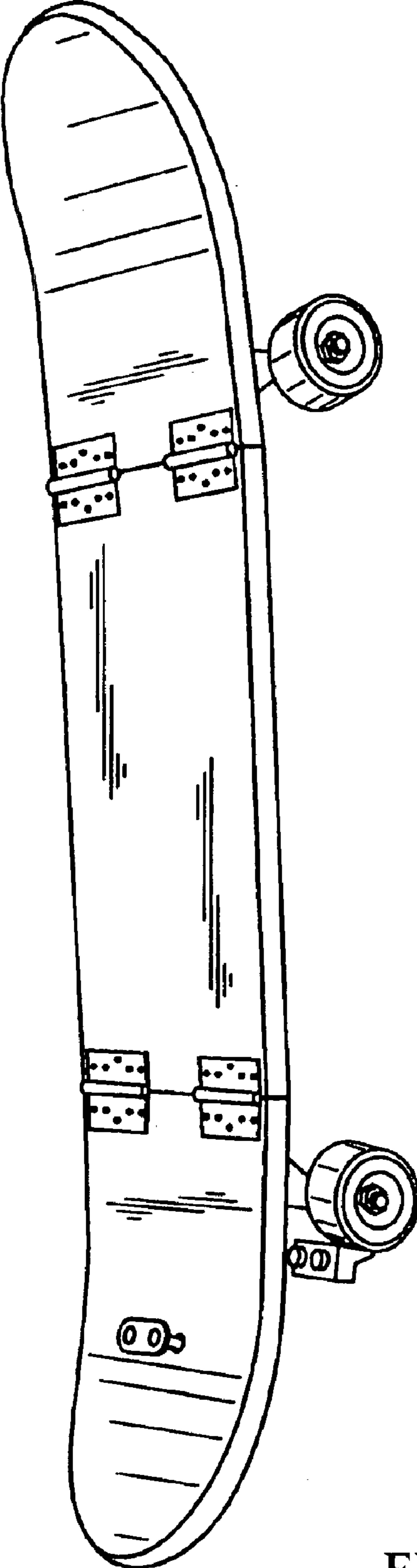


FIG. 1

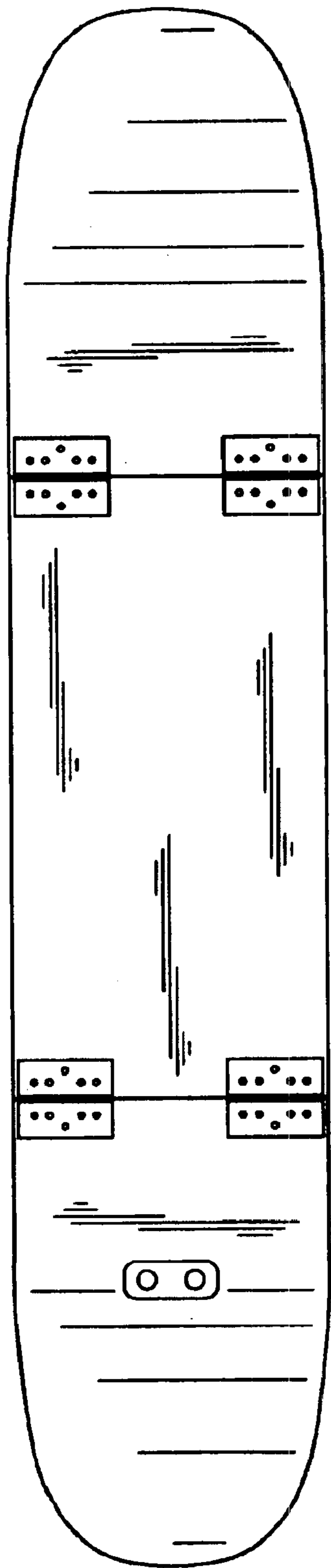


FIG. 2

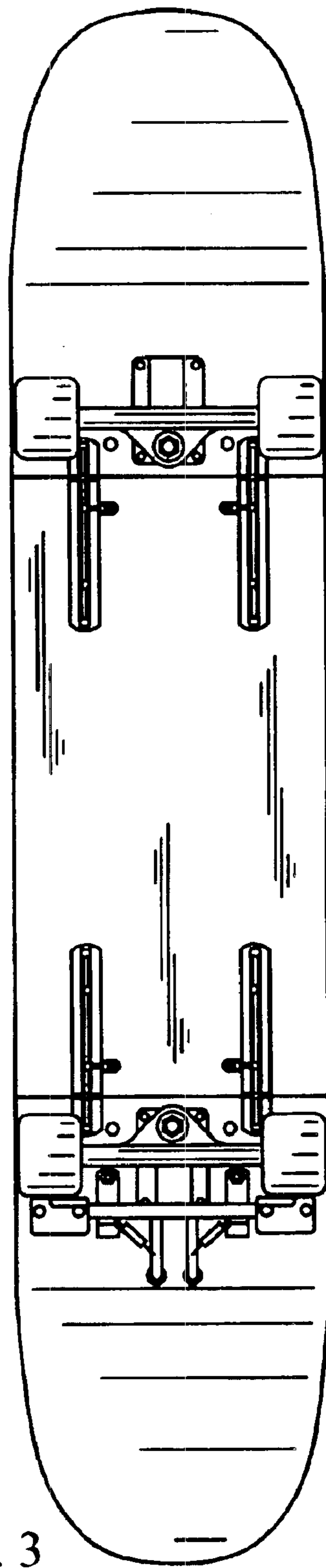


FIG. 3

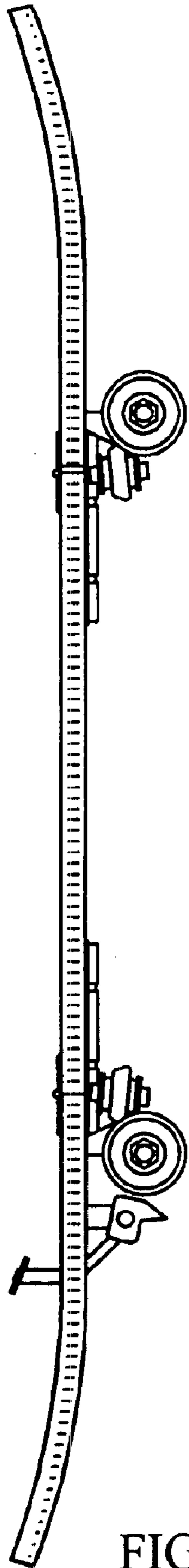


FIG. 4

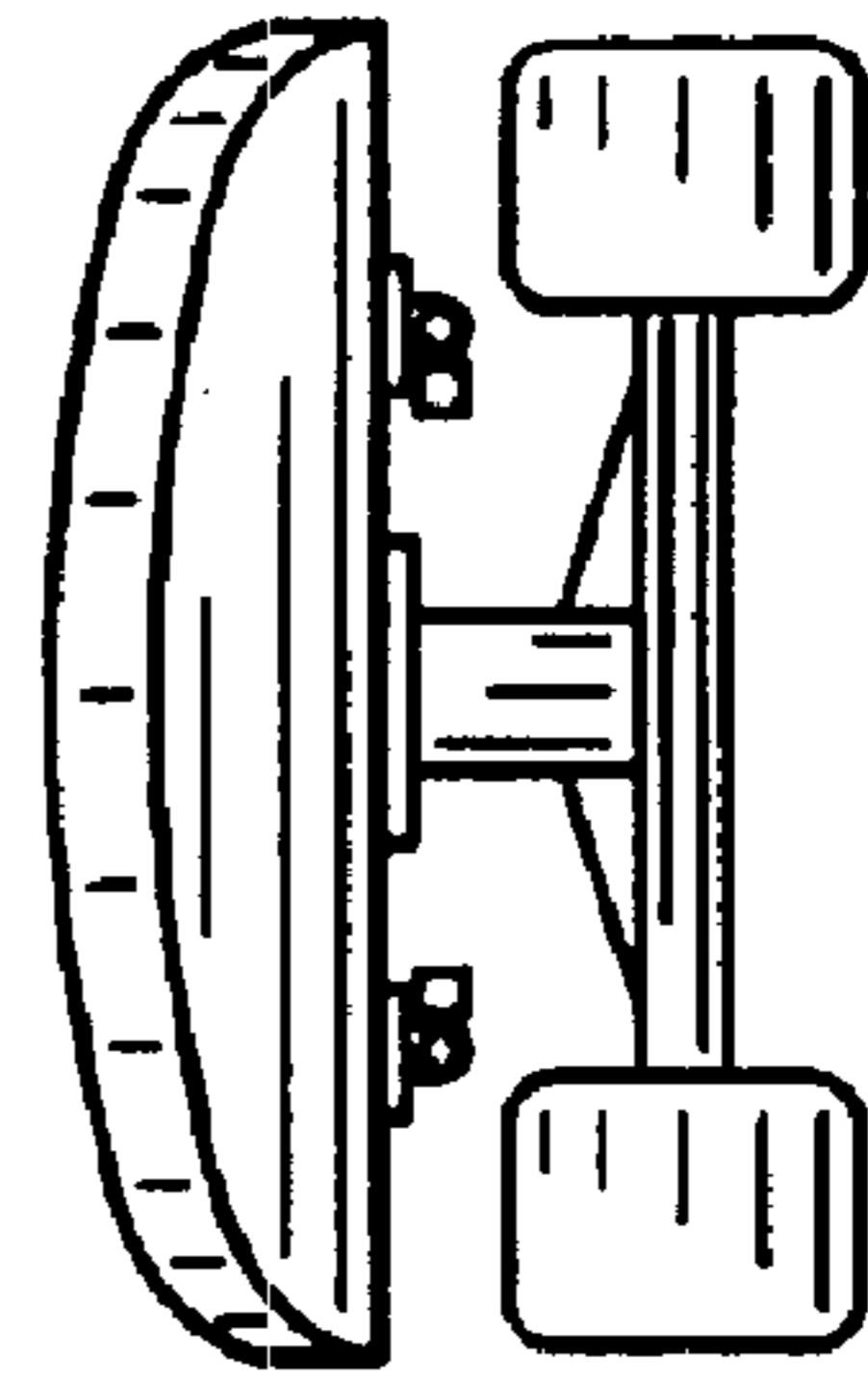


FIG. 5

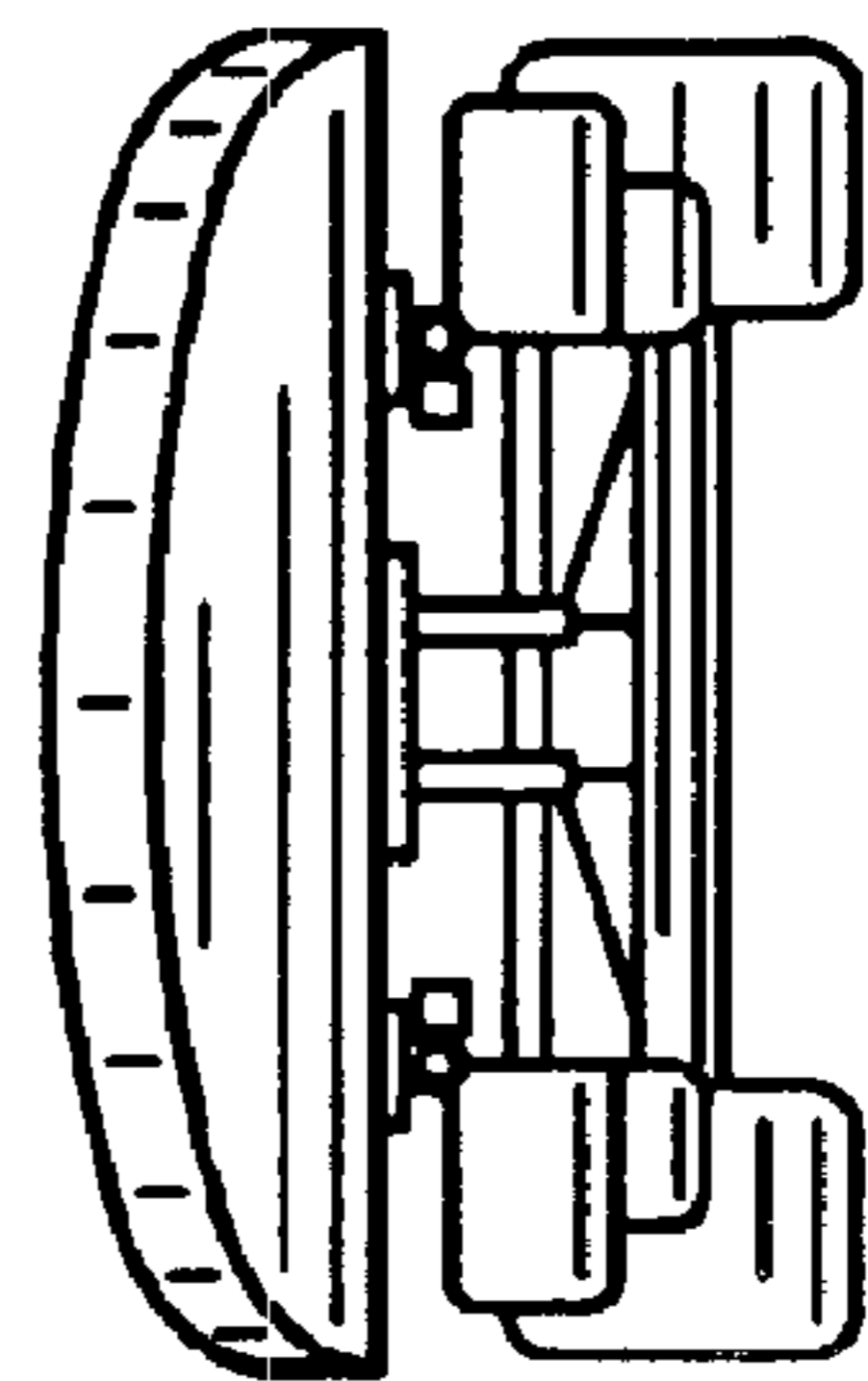


FIG. 6

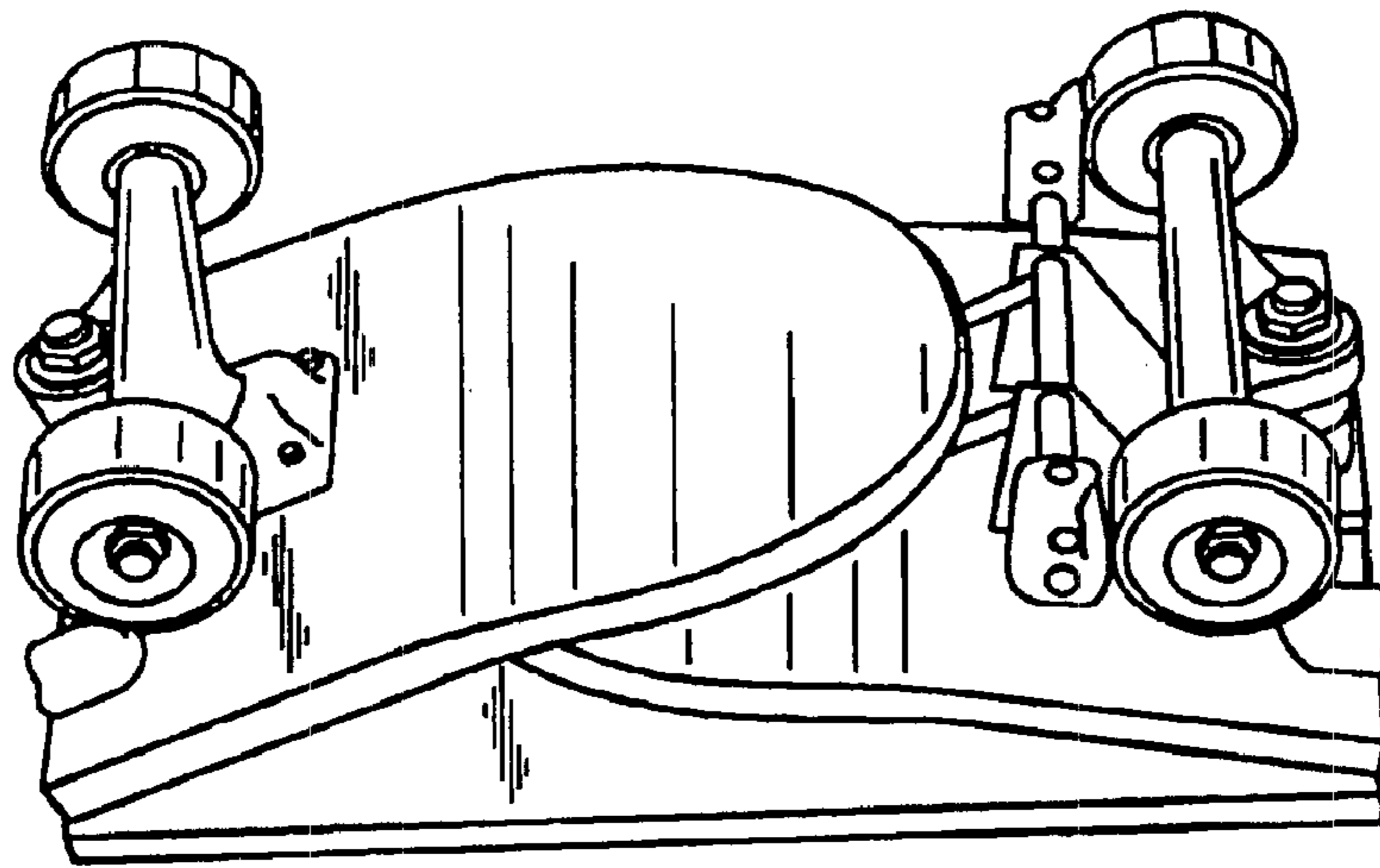


FIG. 7

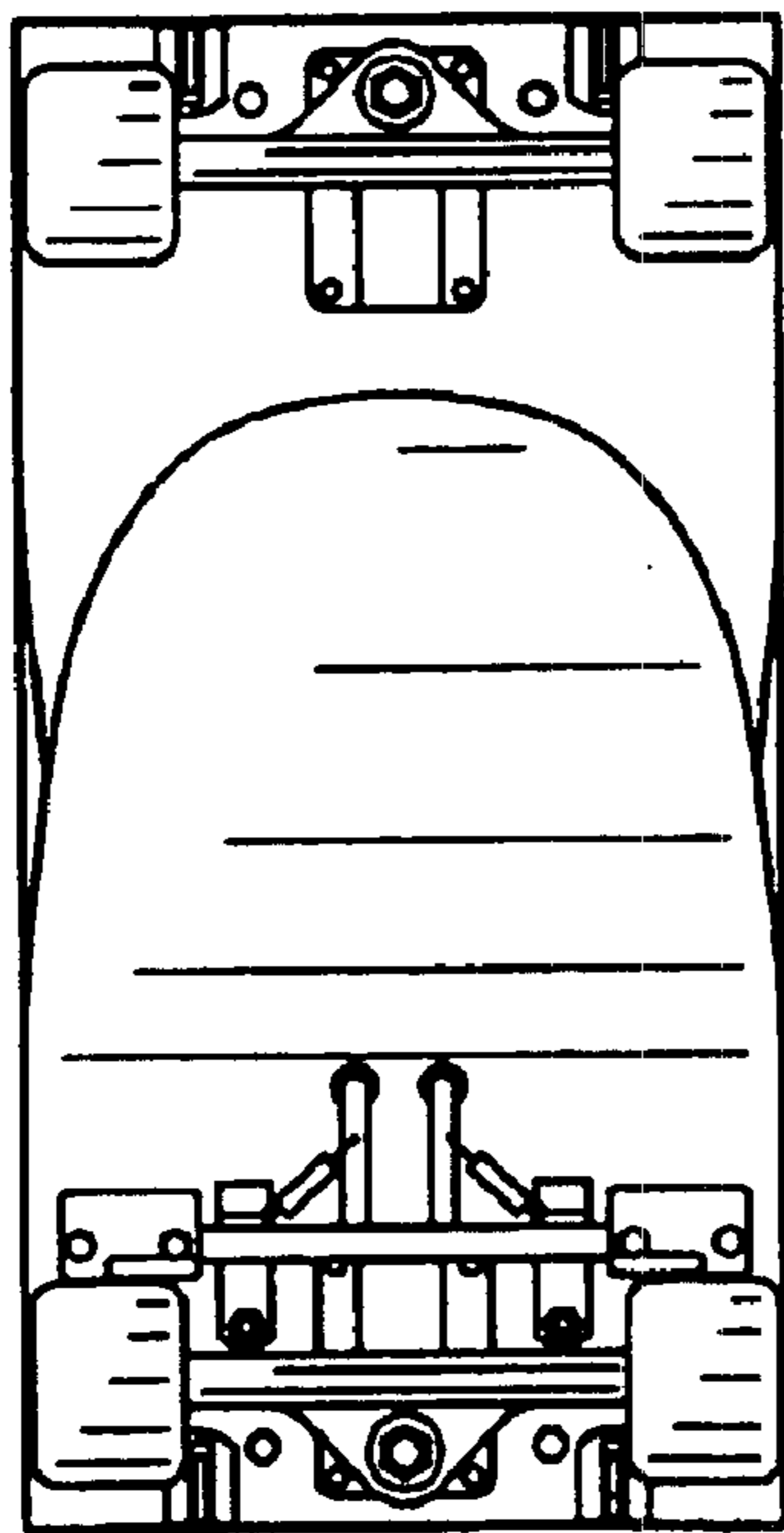


FIG. 8

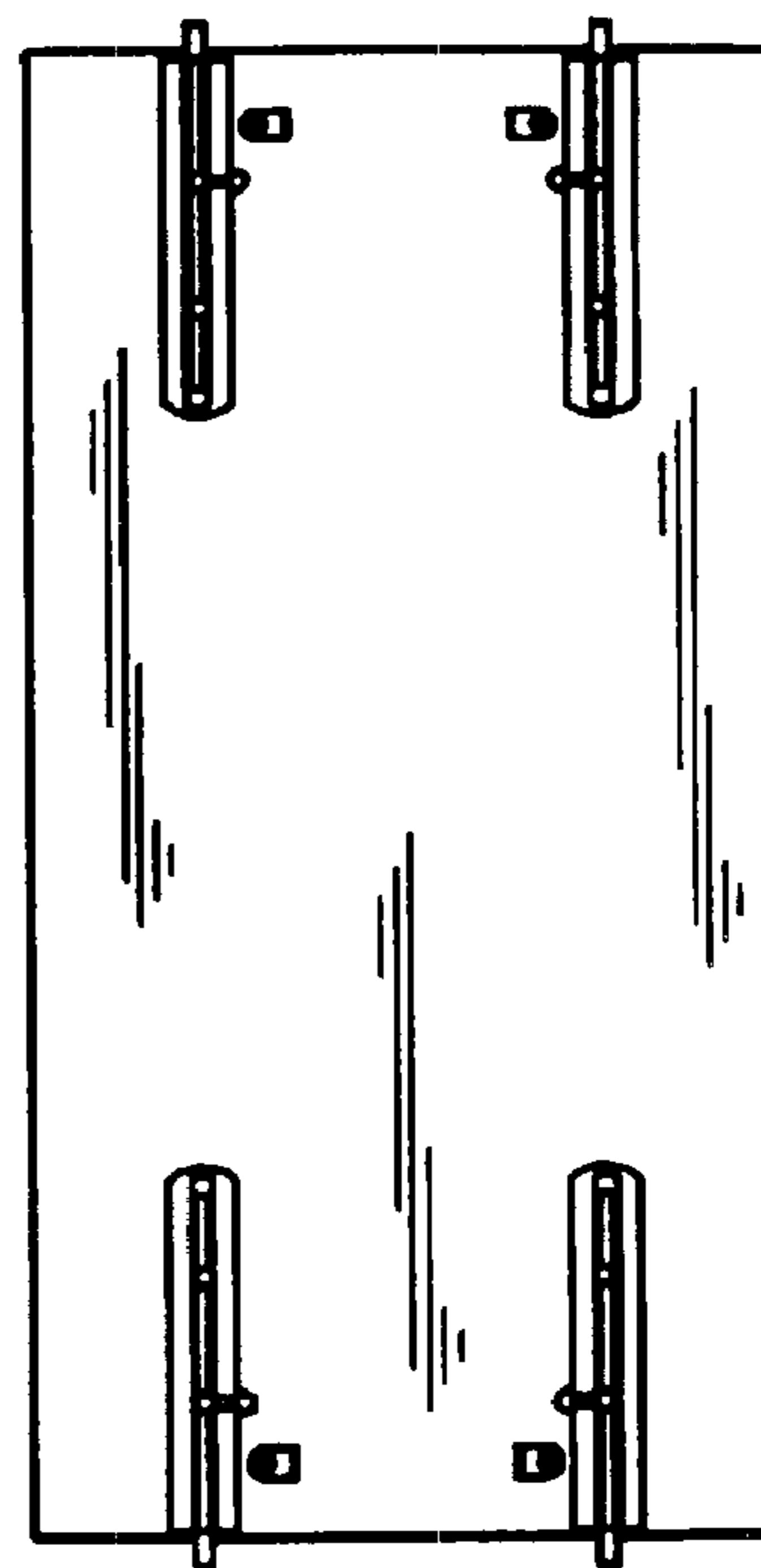


FIG. 9

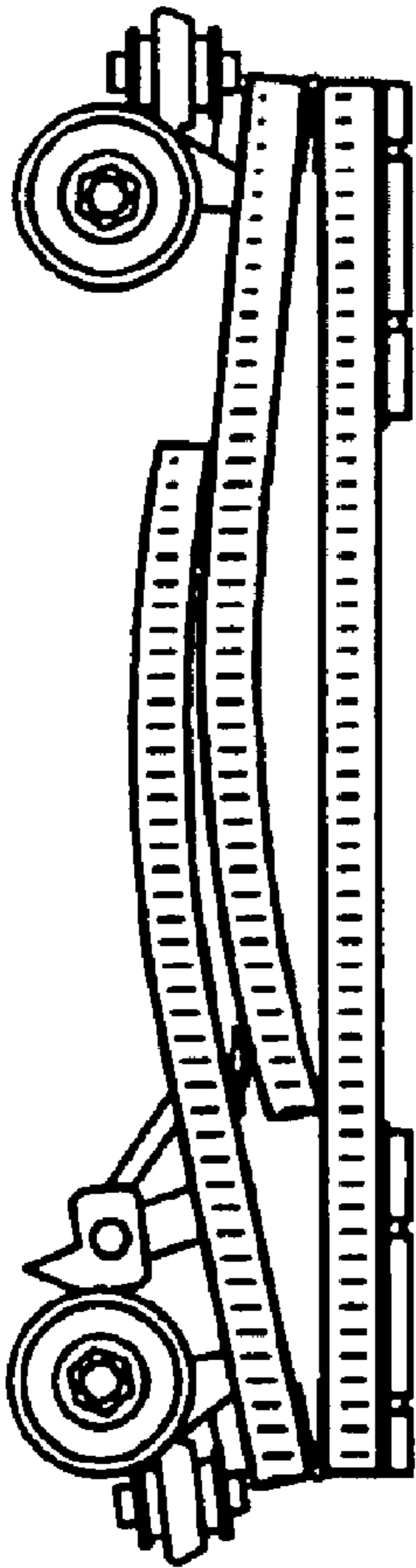


FIG. 10

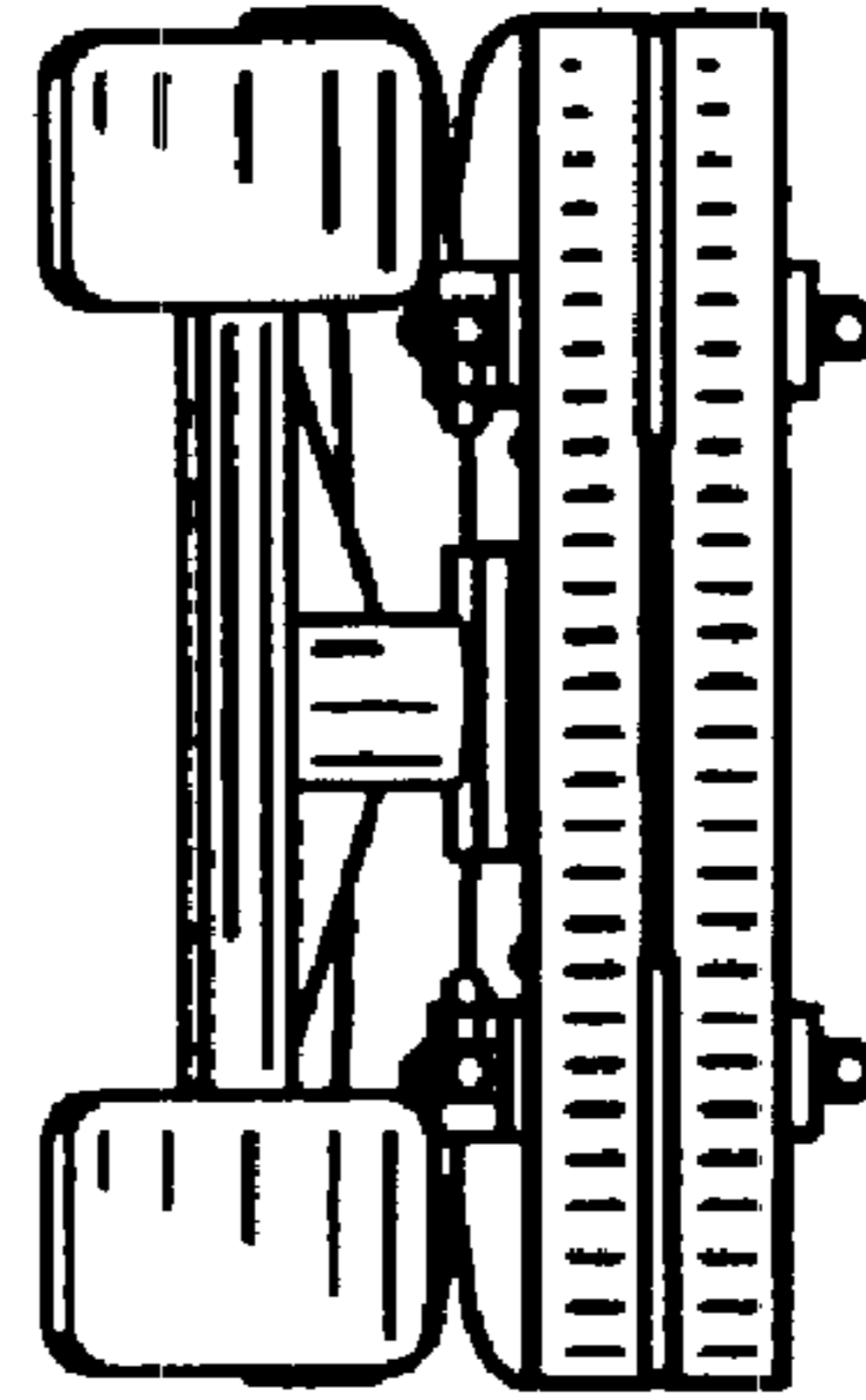


FIG. 11

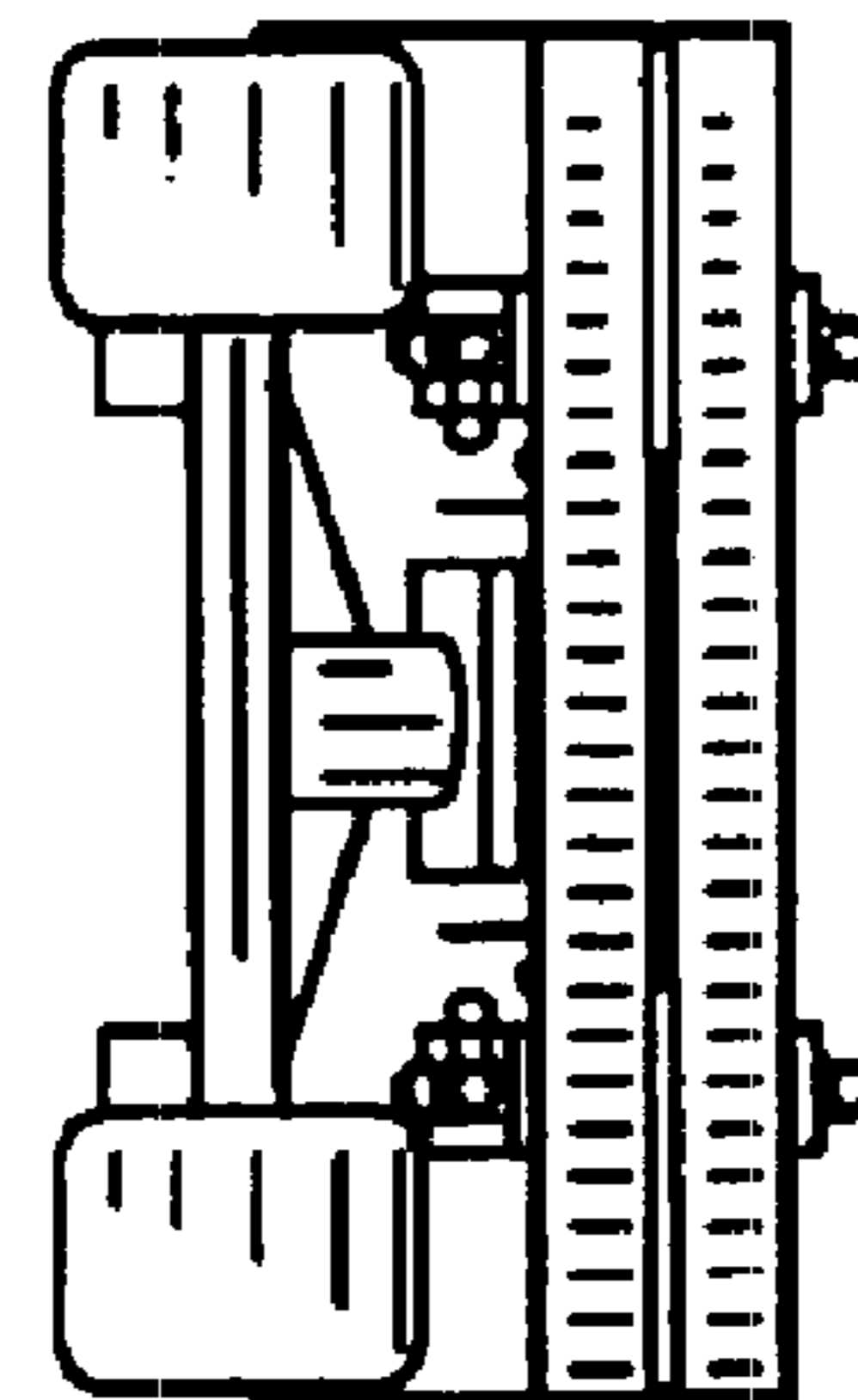


FIG. 12