

US00D505469S

(12) **United States Design Patent**
Joung et al.

(10) **Patent No.:** **US D505,469 S**

(45) **Date of Patent:** **** May 24, 2005**

(54) **ROLLER SLED**

(76) Inventors: **Woo Kyung Joung**, Pureun Village
#111-603, Kanjung-dong 686, Kimpo
City, Kyunggi-do (KR); **Chun Sik**
Ham, Saung Suite #806, Janghang-dong
750, Iisan-gu, Koyang City, Kyunggi-do
(KR)

(**) **Term:** **14 Years**

(21) **Appl. No.:** **29/208,378**

(22) **Filed:** **Jun. 28, 2004**

(51) **LOC (7) Cl.** **21-02**

(52) **U.S. Cl.** **D21/765**

(58) **Field of Search** D21/760-771;
D12/11; 280/87.042, 87.041, 842, 843,
11.19, 11.27, 11.25, 87.01, 87.021

(56) **References Cited**

U.S. PATENT DOCUMENTS

D279,920 S	*	7/1985	Gardinier et al.	D12/11
5,125,687 A	*	6/1992	Hwang	280/87.042
D355,945 S	*	2/1995	Homma	D21/765
5,566,956 A	*	10/1996	Wang	280/87.042
D395,479 S	*	6/1998	Gamzo	D21/765

5,803,473 A	*	9/1998	Bouden	280/11.19
5,826,895 A	*	10/1998	Bradfield	280/11.28
5,984,328 A	*	11/1999	Tipton	280/87.042
6,254,113 B1	*	7/2001	Dornan	280/87.042
6,428,022 B1	*	8/2002	Namiki	280/87.042
D465,003 S	*	10/2002	Ohrvall et al.	D21/760
6,568,695 B2	*	5/2003	Dornan	280/11.25

* cited by examiner

Primary Examiner—Raphael Barkai

(74) *Attorney, Agent, or Firm*—Cheryl H. Agris

(57) **CLAIM**

The ornamental design for a roller sled, as shown and described.

DESCRIPTION

FIG. 1 is a perspective view of the roller sled which expresses the entire view of our design. FIG. 2 is a front view of the roller sled. FIG. 3 is a rear view of the roller sled. FIG. 4 is a left side view of the roller sled. FIG. 5 is a right side view of the roller sled. FIG. 6 is a plan view of the roller sled; and, FIG. 7 is a bottom view of the roller sled.

1 Claim, 7 Drawing Sheets

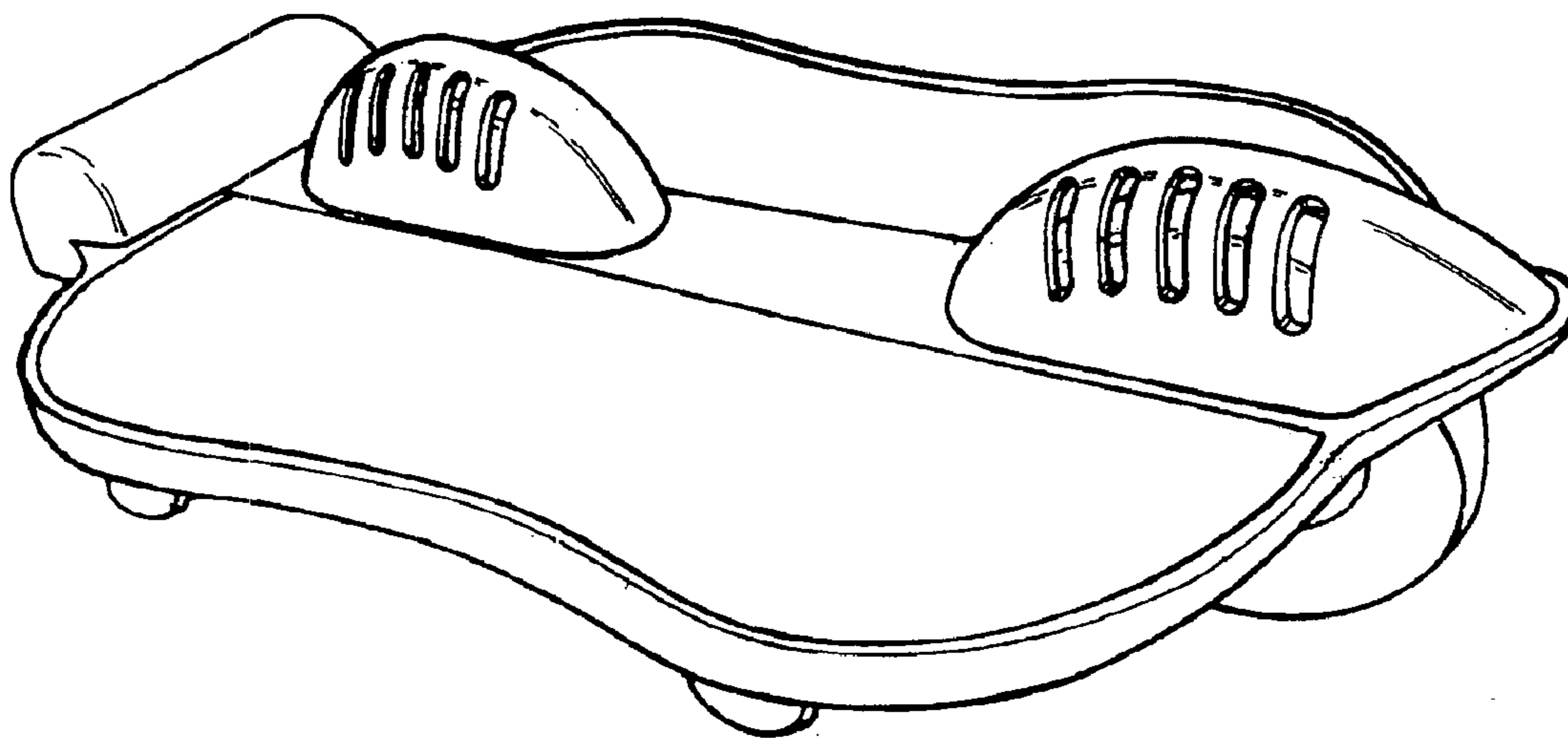


FIGURE 1

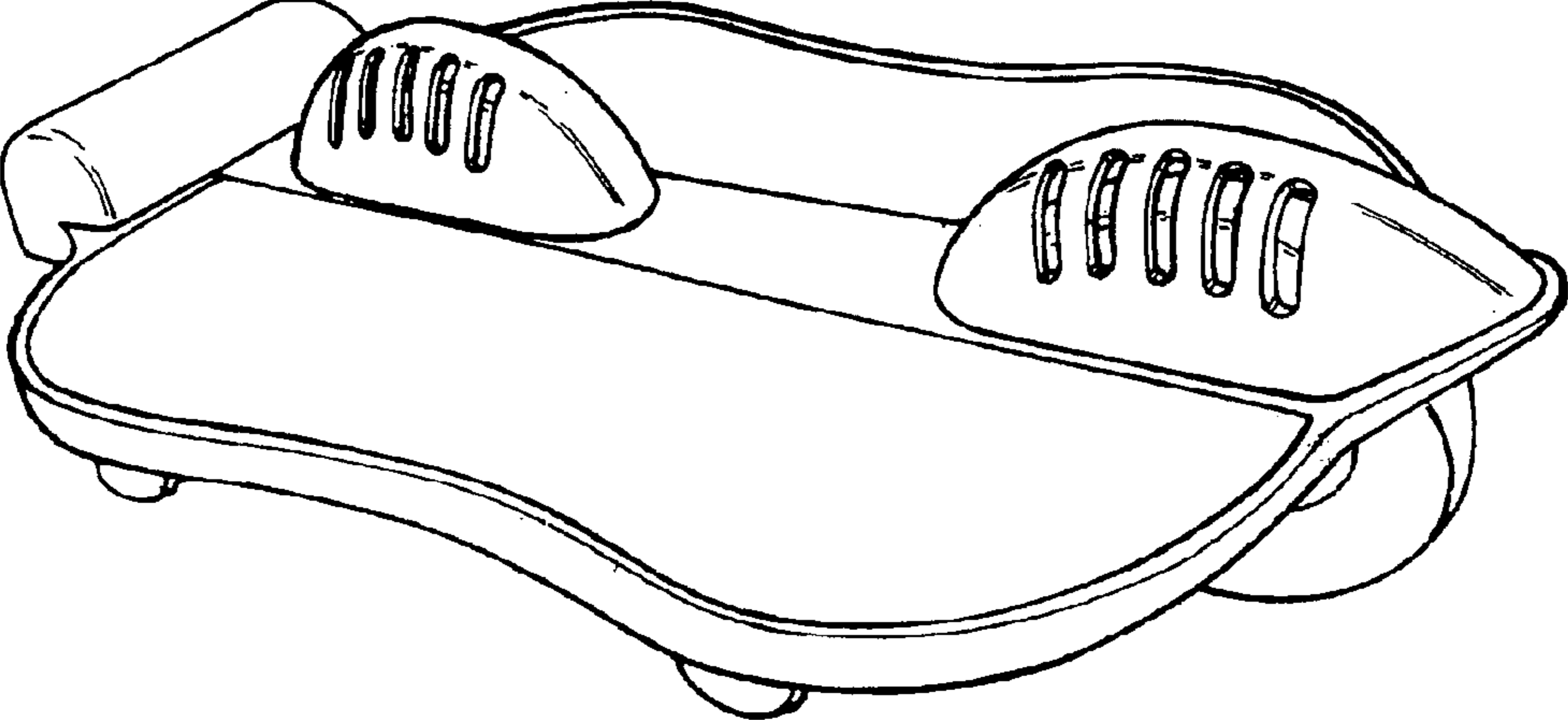


FIGURE 2

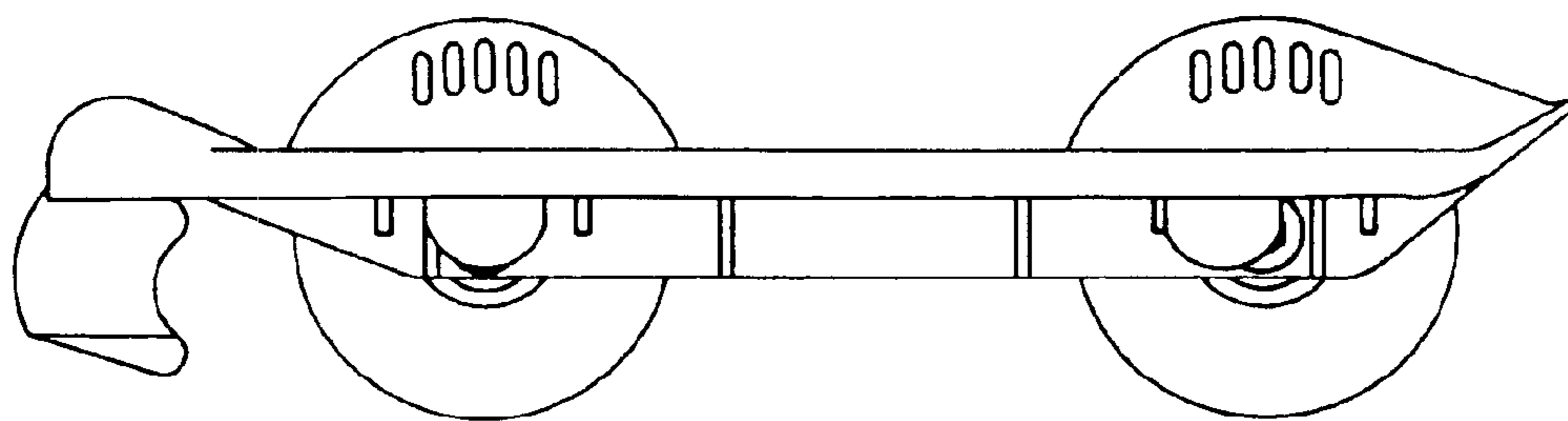


FIGURE 3

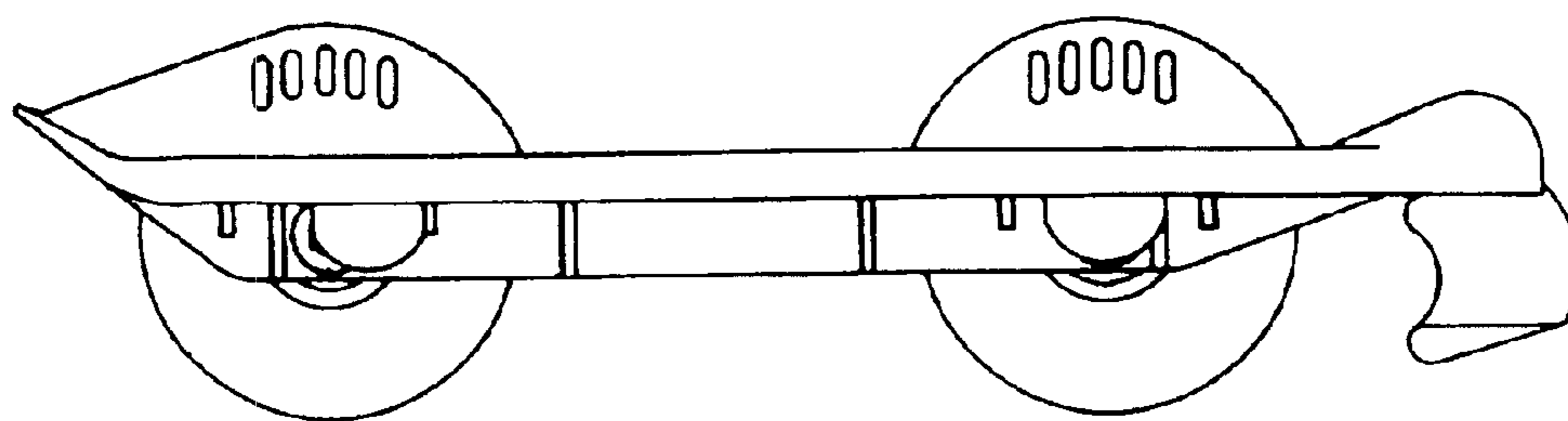


FIGURE 4

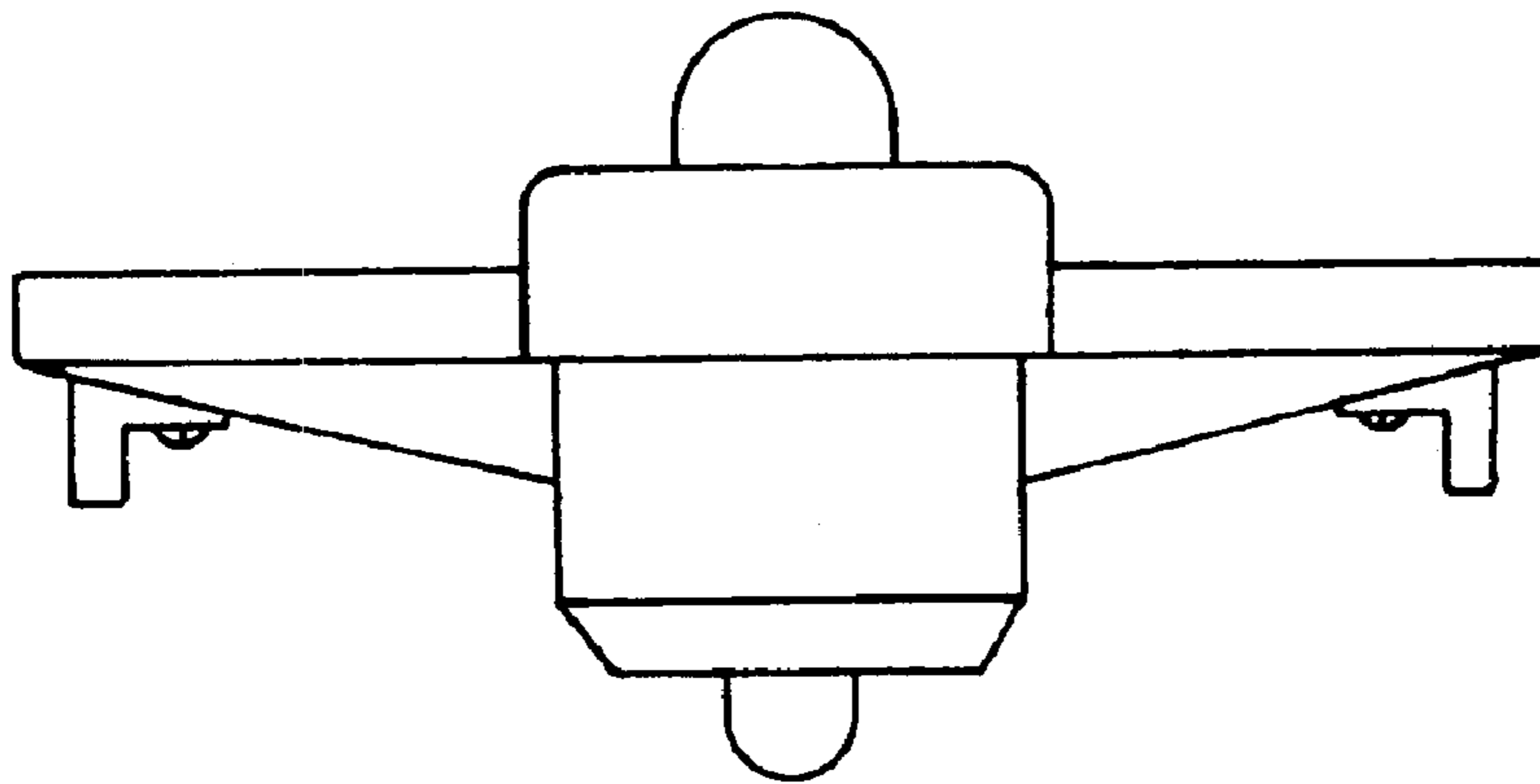


FIGURE 5

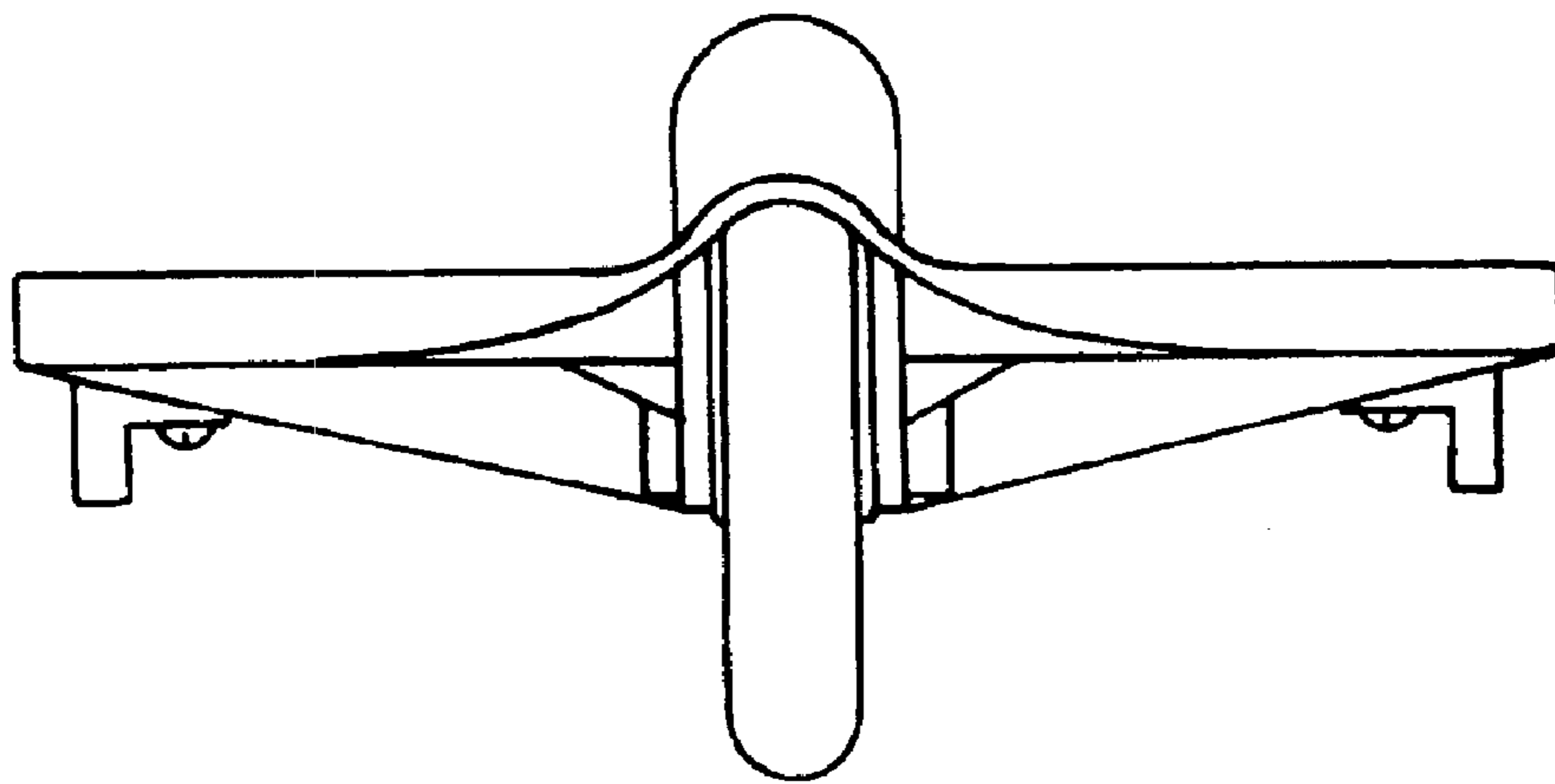


FIGURE 6

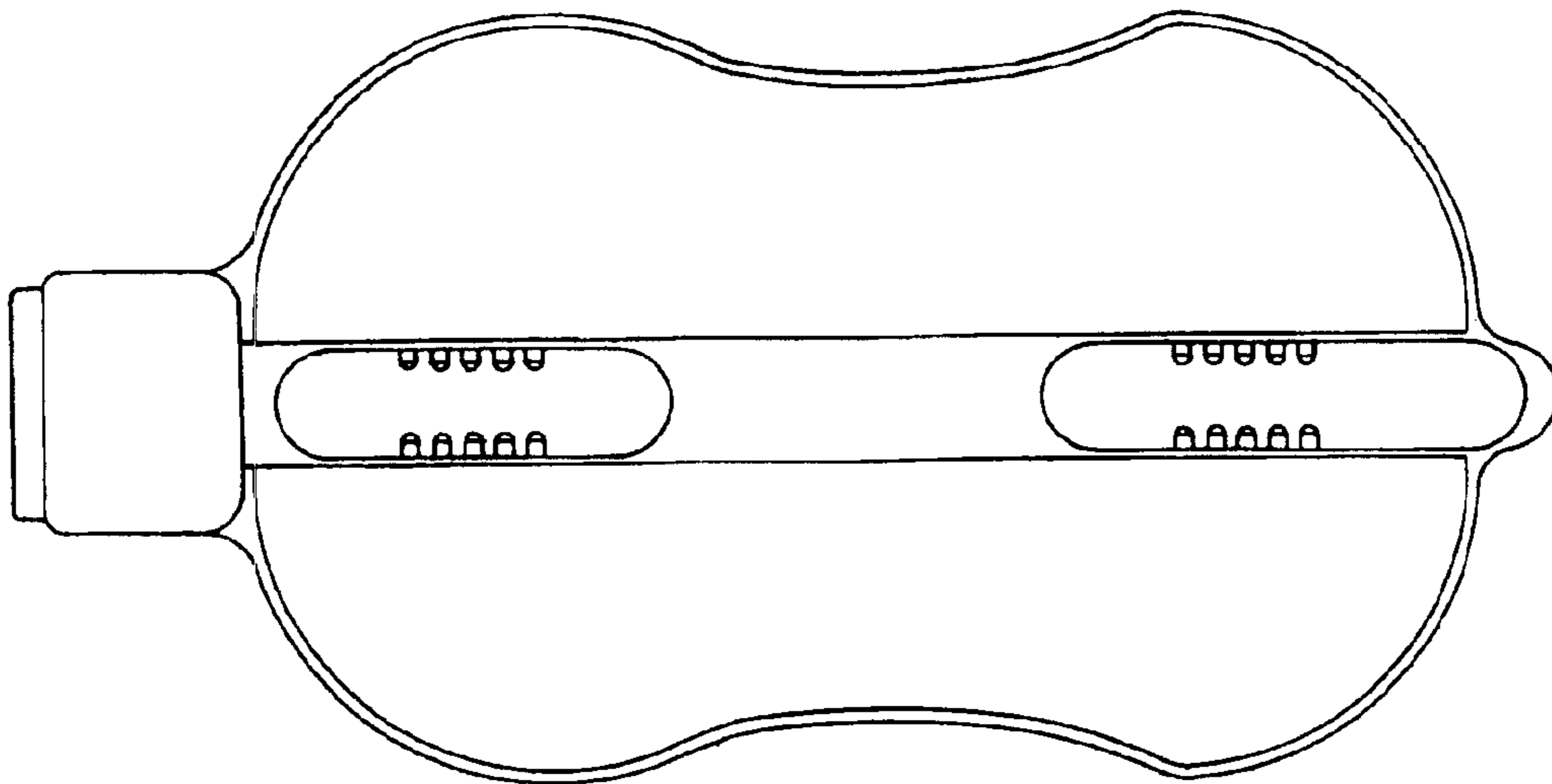


FIGURE 7

