

US00D505464S

(12) **United States Design Patent**
Shih

(10) **Patent No.: US D505,464 S**
(45) **Date of Patent: ** May 24, 2005**

(54) **BILLIARD BALL**

(76) Inventor: **Tung-Yuan Shih**, No. 15-3, Chung Shan Road, Hsin shih Shiang, Tainan Hsien (TW)

(**) Term: **14 Years**

(21) Appl. No.: **29/197,801**

(22) Filed: **Jan. 22, 2004**

(51) **LOC (7) Cl. 21-02**

(52) **U.S. Cl. D21/713**

(58) **Field of Search D21/707-714;**
473/1-53, 125, 351-385, 410-413, 569-614,
FOR 129

(56) **References Cited**

U.S. PATENT DOCUMENTS

D27,441 S	*	7/1897	Dunn	D21/709
695,153 A	*	3/1902	Hoyt	473/52
D41,327 S	*	4/1911	Pearce	D21/708
D55,330 S	*	5/1920	Robertson	D21/708
1,517,514 A	*	12/1924	Hunt	473/383
D100,206 S	*	6/1936	Davis	D21/709
D379,389 S	*	5/1997	Shih	D21/713
D393,672 S	*	4/1998	Clay	D21/713

6,319,141 B1	*	11/2001	Cartee	473/20
2003/0236126 A1	*	12/2003	Tucker	473/52

OTHER PUBLICATIONS

Blue (R) Bird "Playballs" 1966 playball line (brochure): balls indicated by arrows.*

* cited by examiner

Primary Examiner—Philip S. Hyder

Assistant Examiner—C. Tuttle

(74) *Attorney, Agent, or Firm*—Bacon & Thomas

(57) **CLAIM**

The ornamental design for a billiard ball, as shown.

DESCRIPTION

FIG. 1 is a perspective view of a billiard ball showing my new design thereof;

FIG. 2 is a front elevational view thereof;

FIG. 3 is a rear elevational view thereof;

FIG. 4 is a left side elevational view thereof;

FIG. 5 is a right side elevational view thereof;

FIG. 6 is a top plan view thereof; and,

FIG. 7 is a bottom plan view thereof.

1 Claim, 4 Drawing Sheets

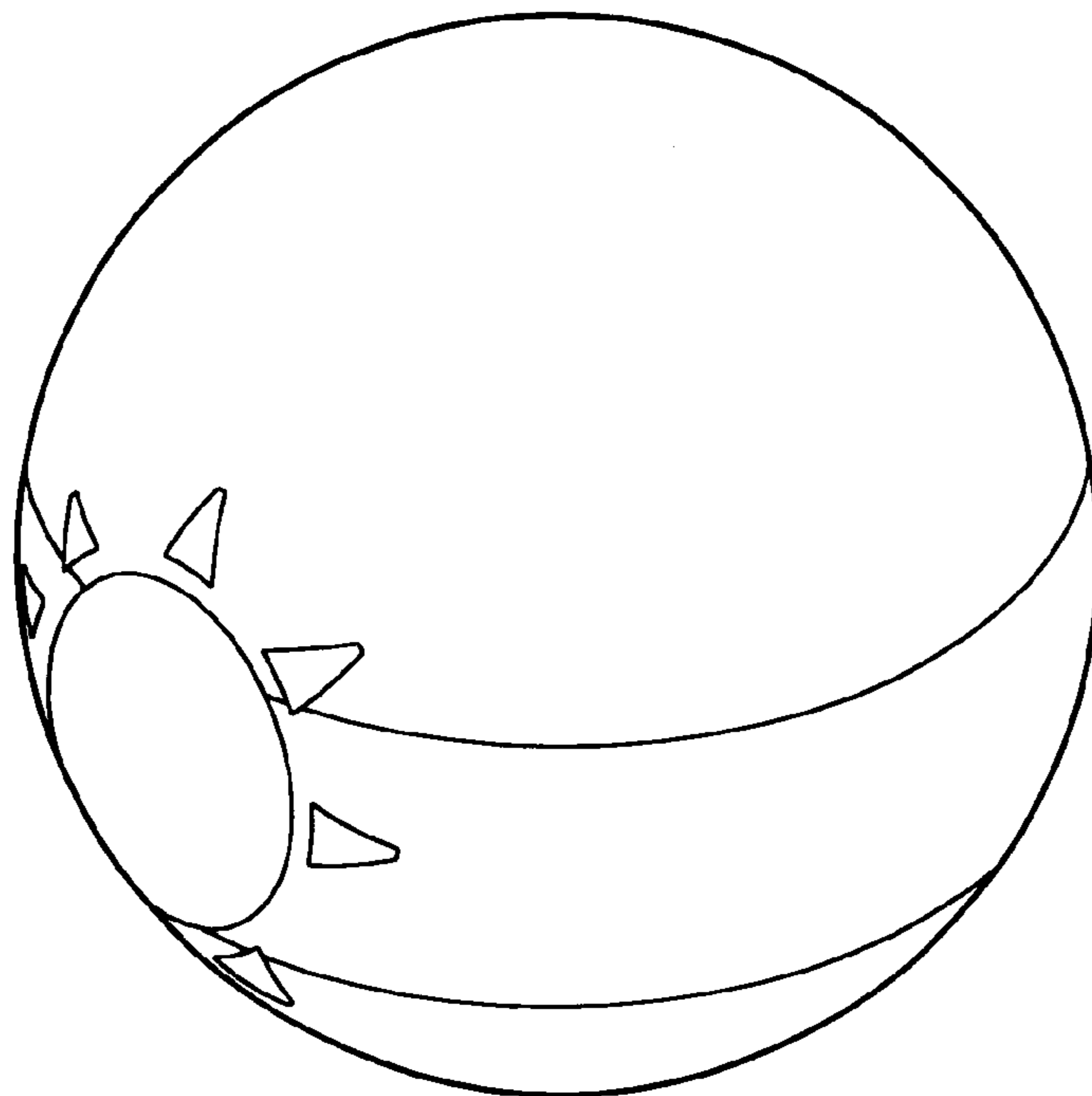
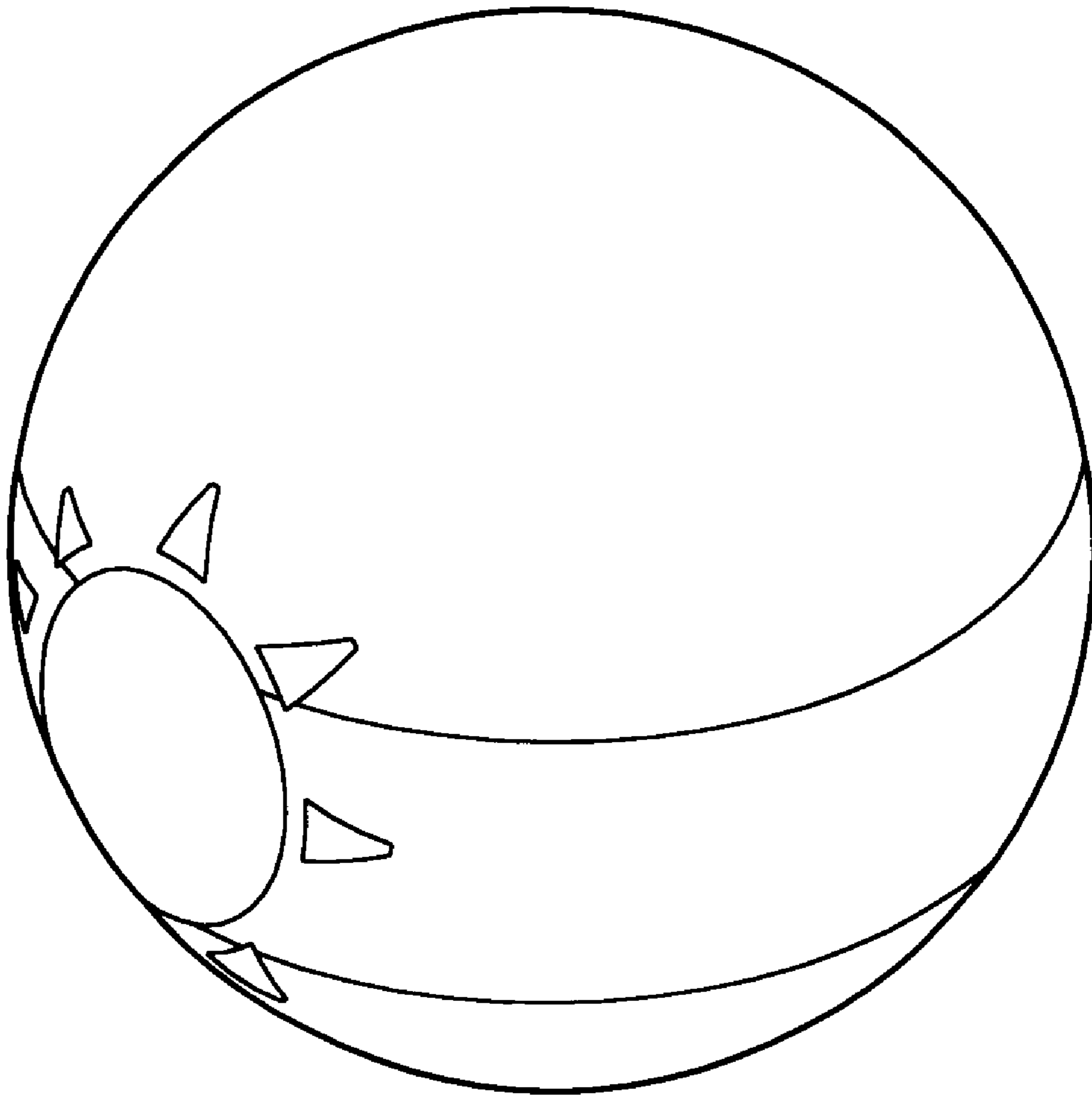


FIG. 1



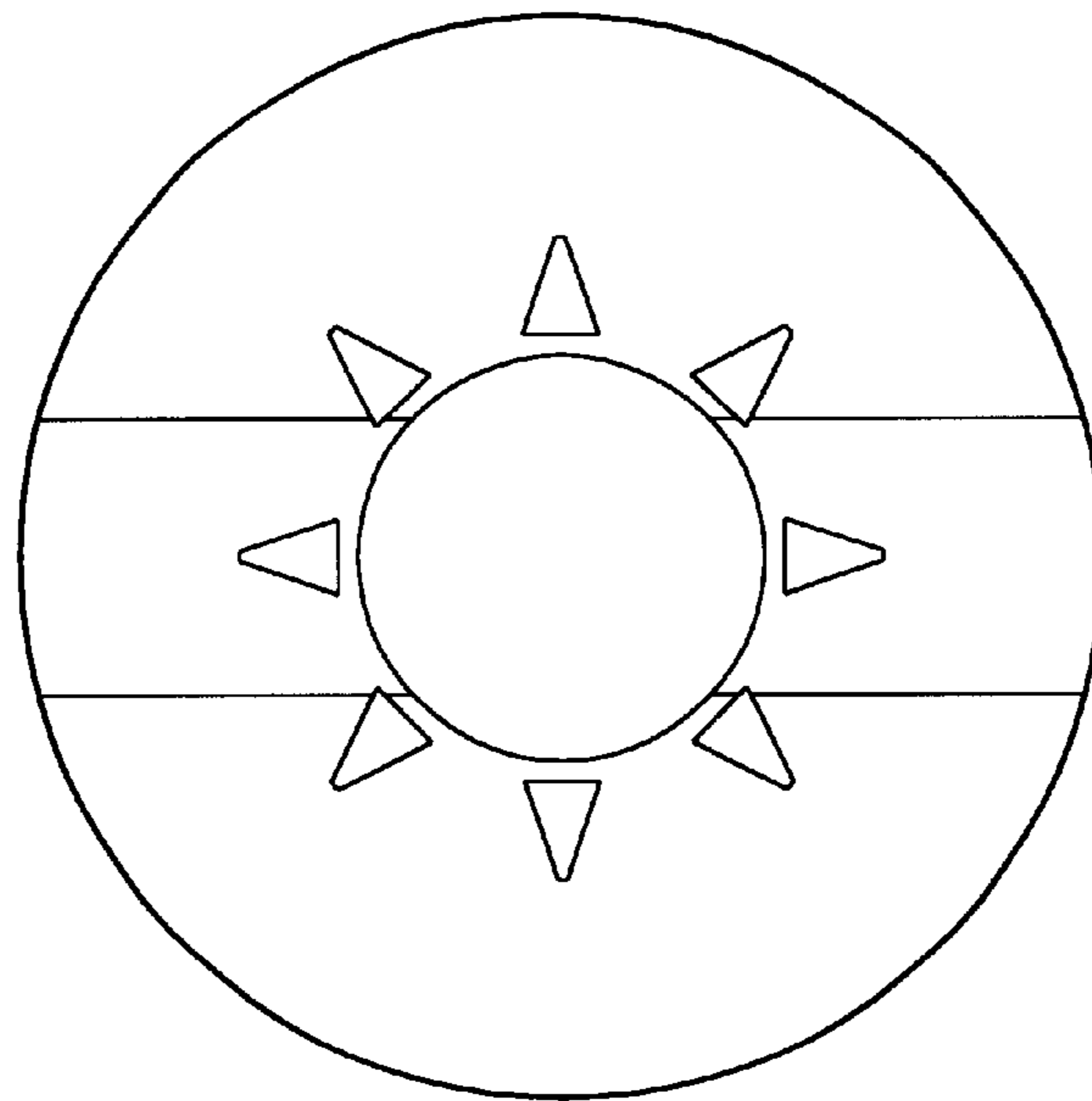


FIG. 2

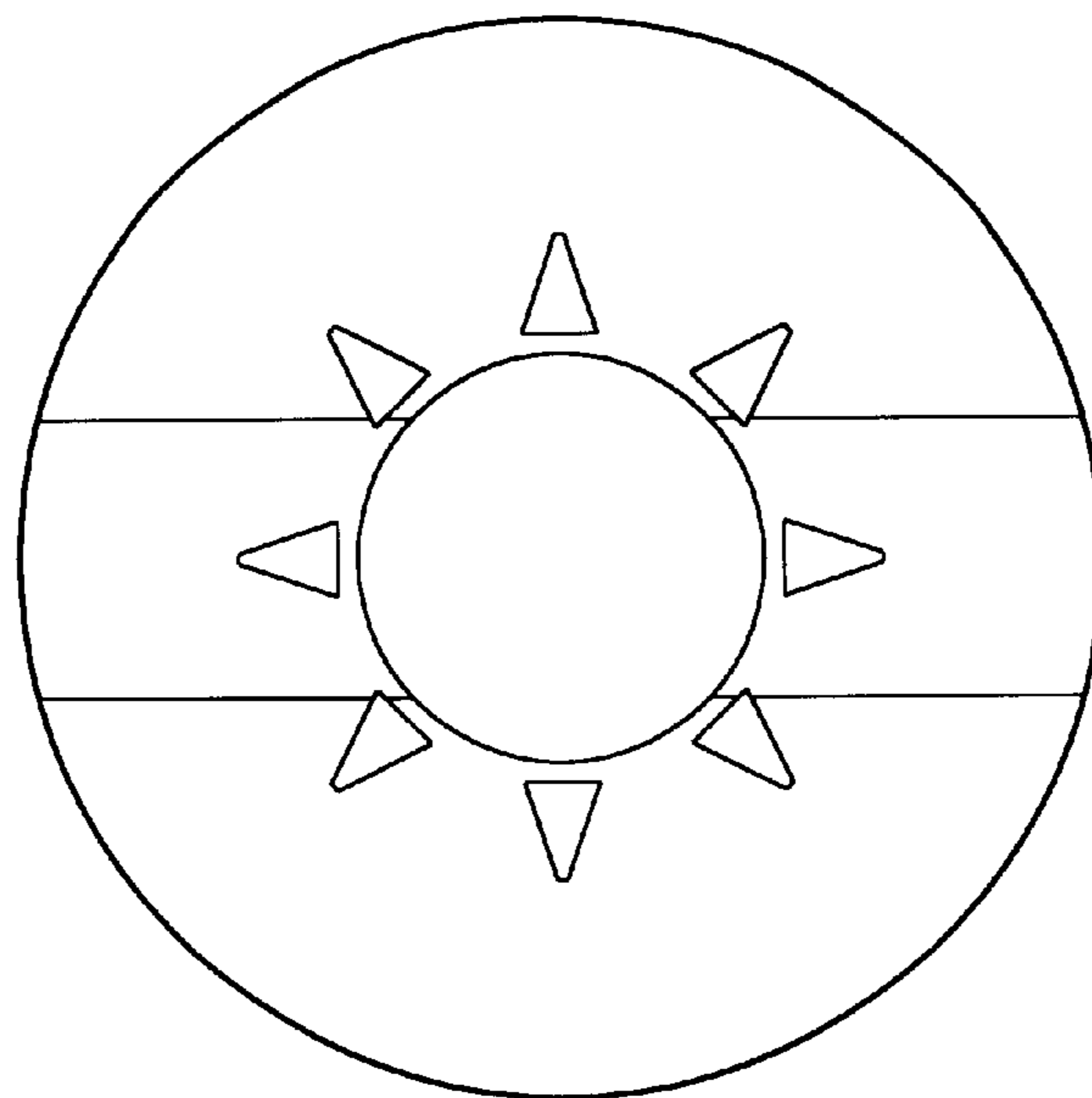


FIG. 3

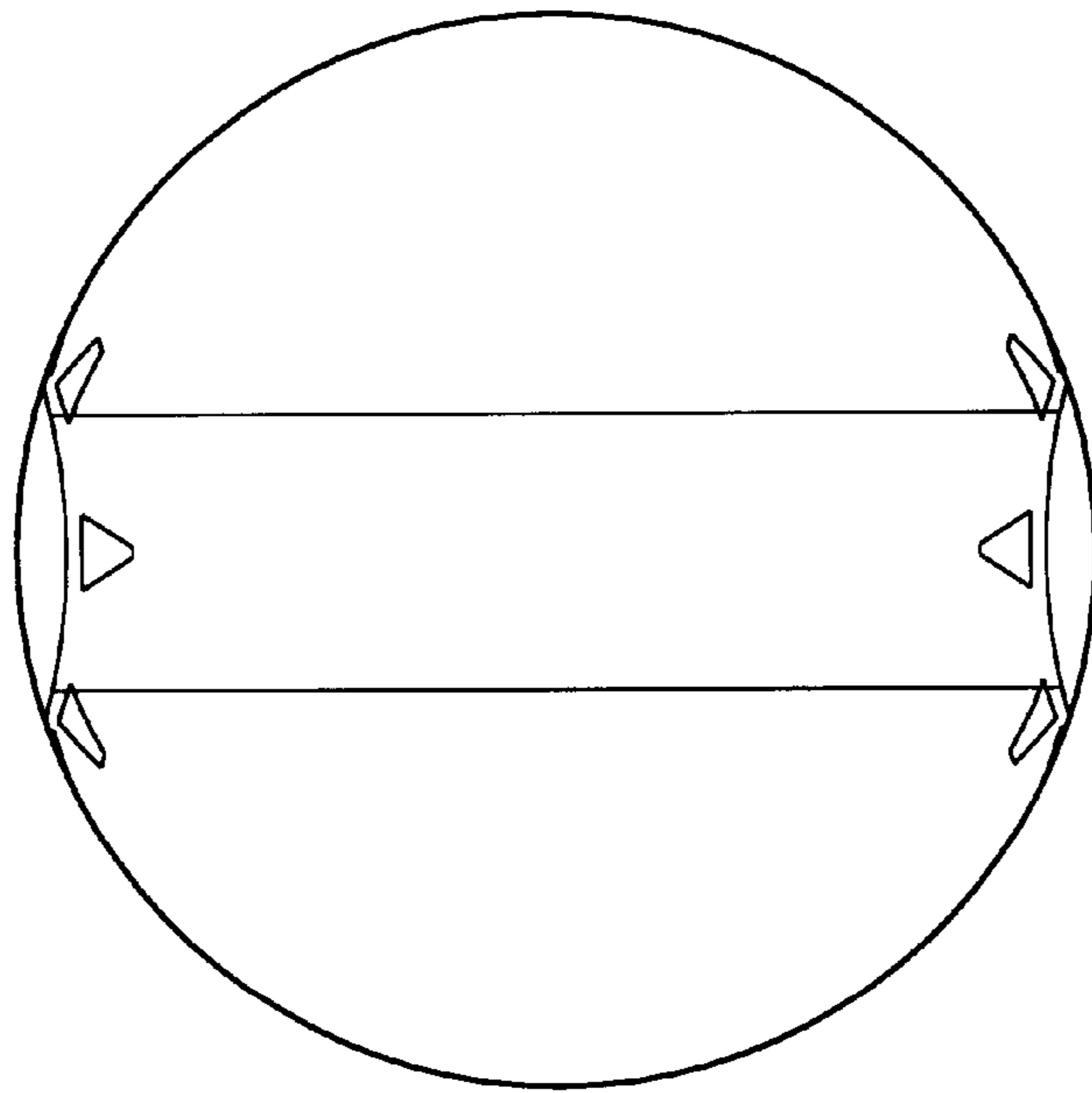


FIG. 4

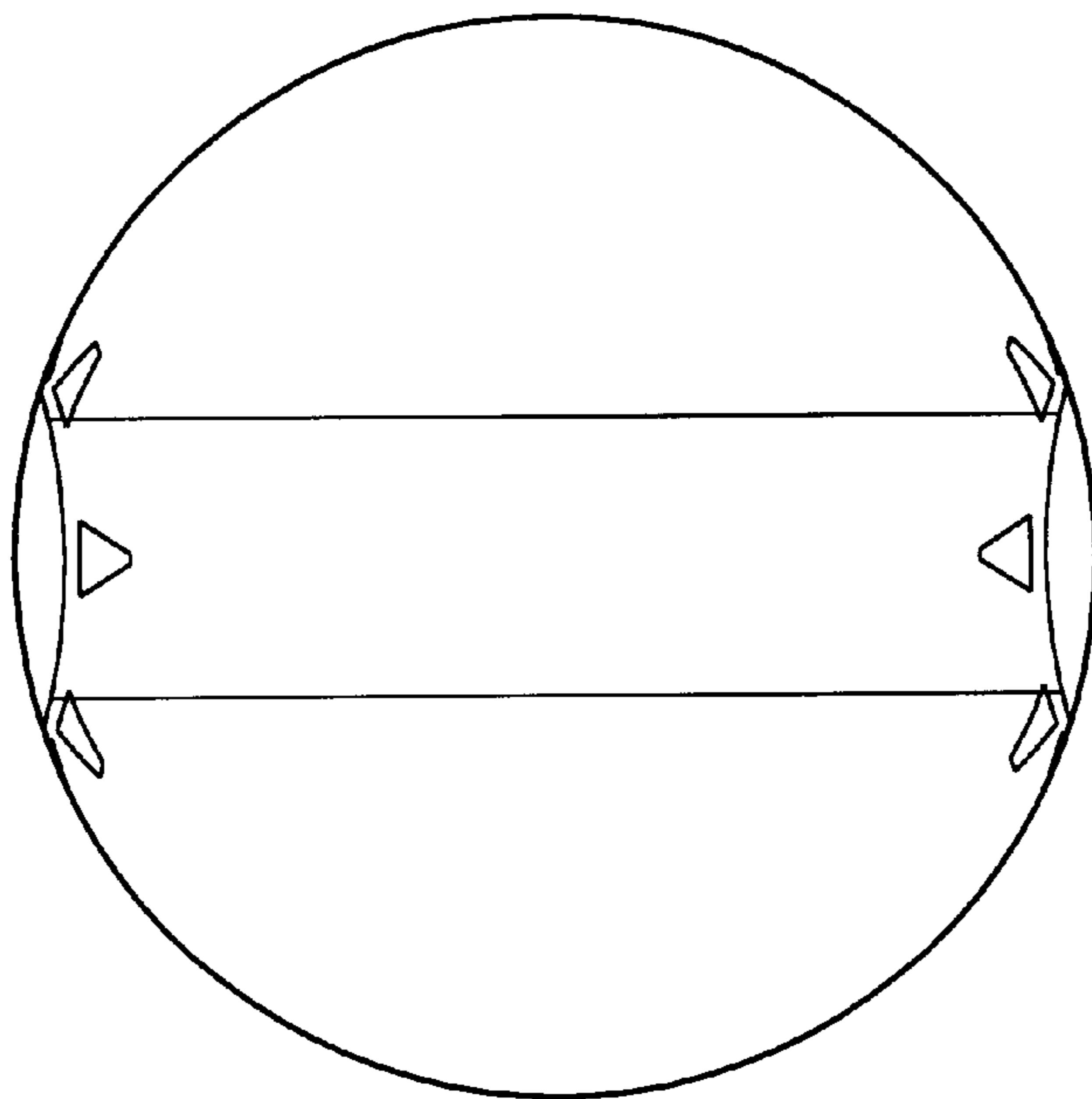


FIG. 5

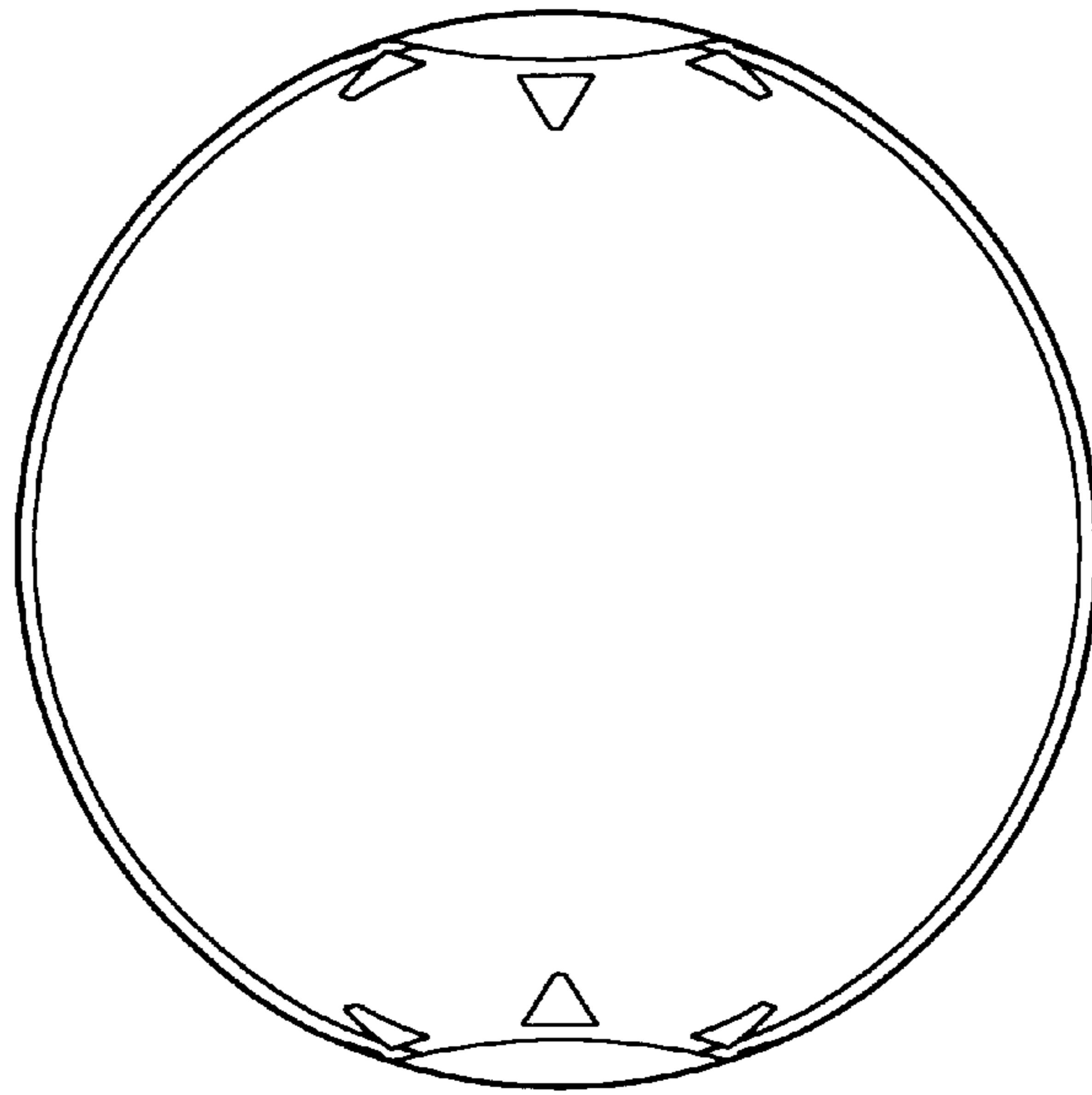


FIG. 6

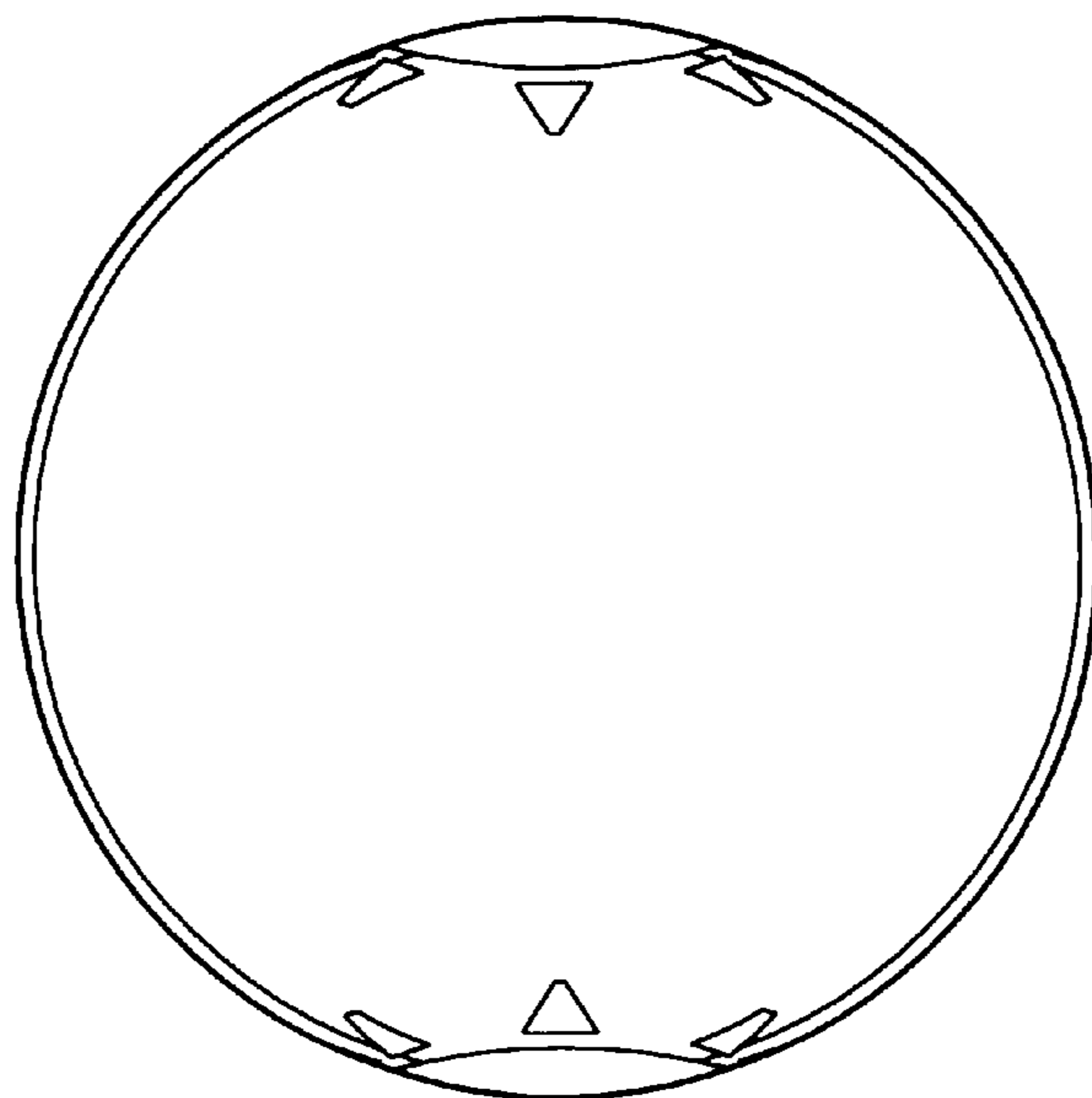


FIG. 7