

US00D505458S

(12) **United States Design Patent**
Wei

(10) **Patent No.:** **US D505,458 S**

(45) **Date of Patent:** **** May 24, 2005**

(54) **REMOTE CONTROL TOY**

(75) **Inventor:** **Lim Ming Wei, Prai Penang (MY)**

(73) **Assignee:** **Nikko Electronics Bhd., Kuala Lumpur (MY)**

(**) **Term:** **14 Years**

(21) **Appl. No.:** **29/198,858**

(22) **Filed:** **Feb. 5, 2004**

(51) **LOC (7) Cl.** **21-01**

(52) **U.S. Cl.** **D21/542**

(58) **Field of Search** **D21/542-547;**
D12/300, 310-318; 446/153-154, 160,
163-165; 114/56.1, 57, 61.27-61.33

(56) **References Cited**

U.S. PATENT DOCUMENTS

D283,416 S	*	4/1986	Carlson	D12/312
4,672,905 A	*	6/1987	Pipkorn	114/290
D302,675 S	*	8/1989	Tucker	D12/313
5,046,439 A	*	9/1991	Goodson et al.	114/61.33
5,351,642 A	*	10/1994	Ackerbloom	114/291
D358,122 S	*	5/1995	Perette	D12/310
D374,852 S	*	10/1996	Mannerfelt	D12/314
D407,682 S	*	4/1999	Mannerfelt	D12/300

D430,098 S	*	8/2000	Vuckovis	D12/314
D477,039 S	*	7/2003	Bao	D21/542
6,729,931 B2	*	5/2004	Lee	446/160
D497,652 S	*	10/2004	Chiu	D21/542

OTHER PUBLICATIONS

Tower Talk, p. 3, Aug. 31, 1991.*

* cited by examiner

Primary Examiner—Raphael Barkai

(74) *Attorney, Agent, or Firm*—Young Law Firm, P.C.

(57) **CLAIM**

The ornamental design for a remote control toy, as shown.

DESCRIPTION

FIG. 1 is a perspective view of a remote control toy according to the present invention.

FIG. 2 is a front view of the remote control toy of FIG. 1.

FIG. 3 is a rear view of the remote control toy of FIG. 1.

FIG. 4 is a top view of the remote control toy of FIG. 1.

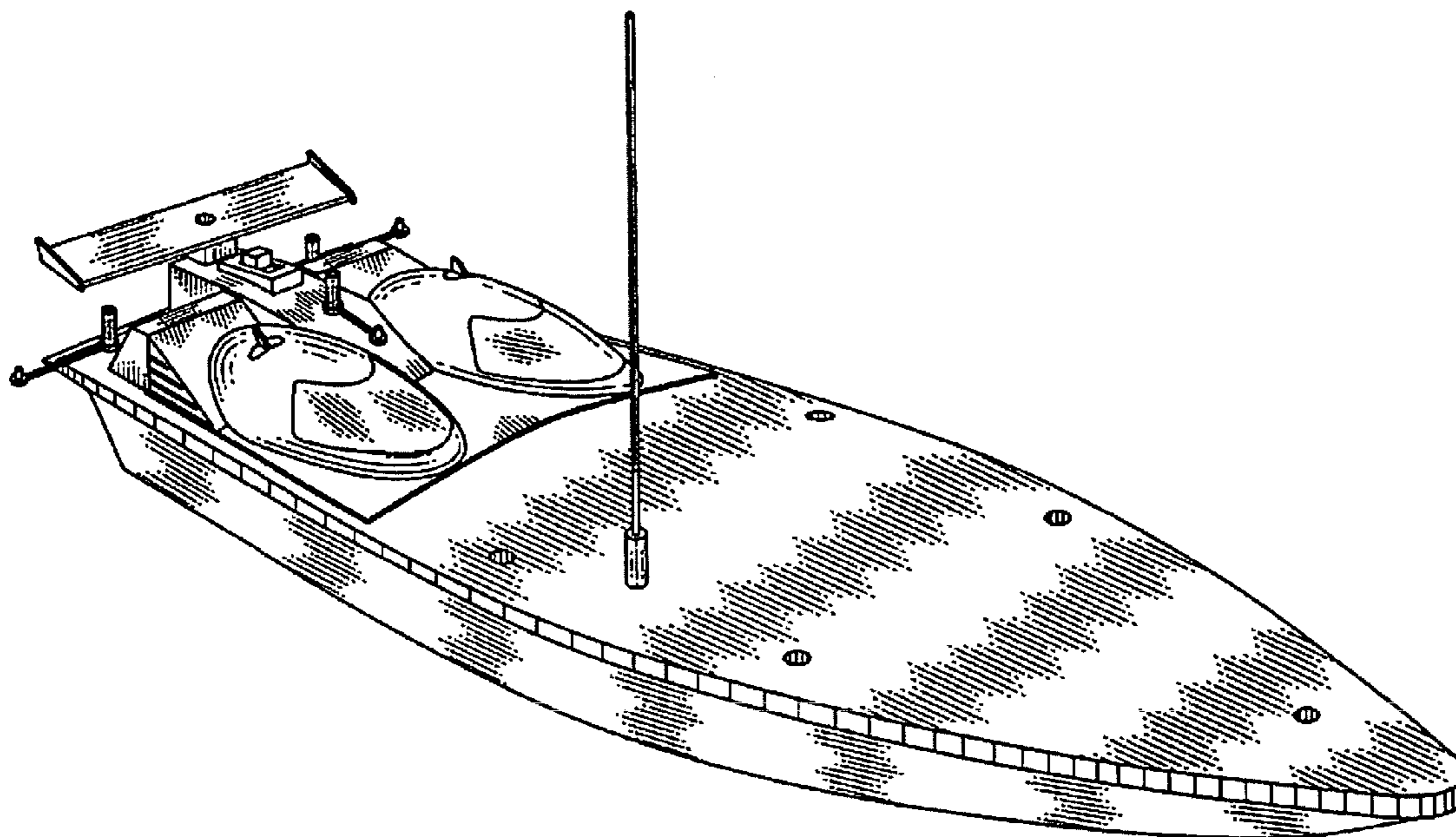
FIG. 5 is a bottom view of the remote control toy of FIG. 1.

FIG. 6 is a right side view of the remote control toy of FIG. 1; and,

FIG. 7 is a left side view of the remote control toy of FIG. 1.

1.

1 Claim, 7 Drawing Sheets



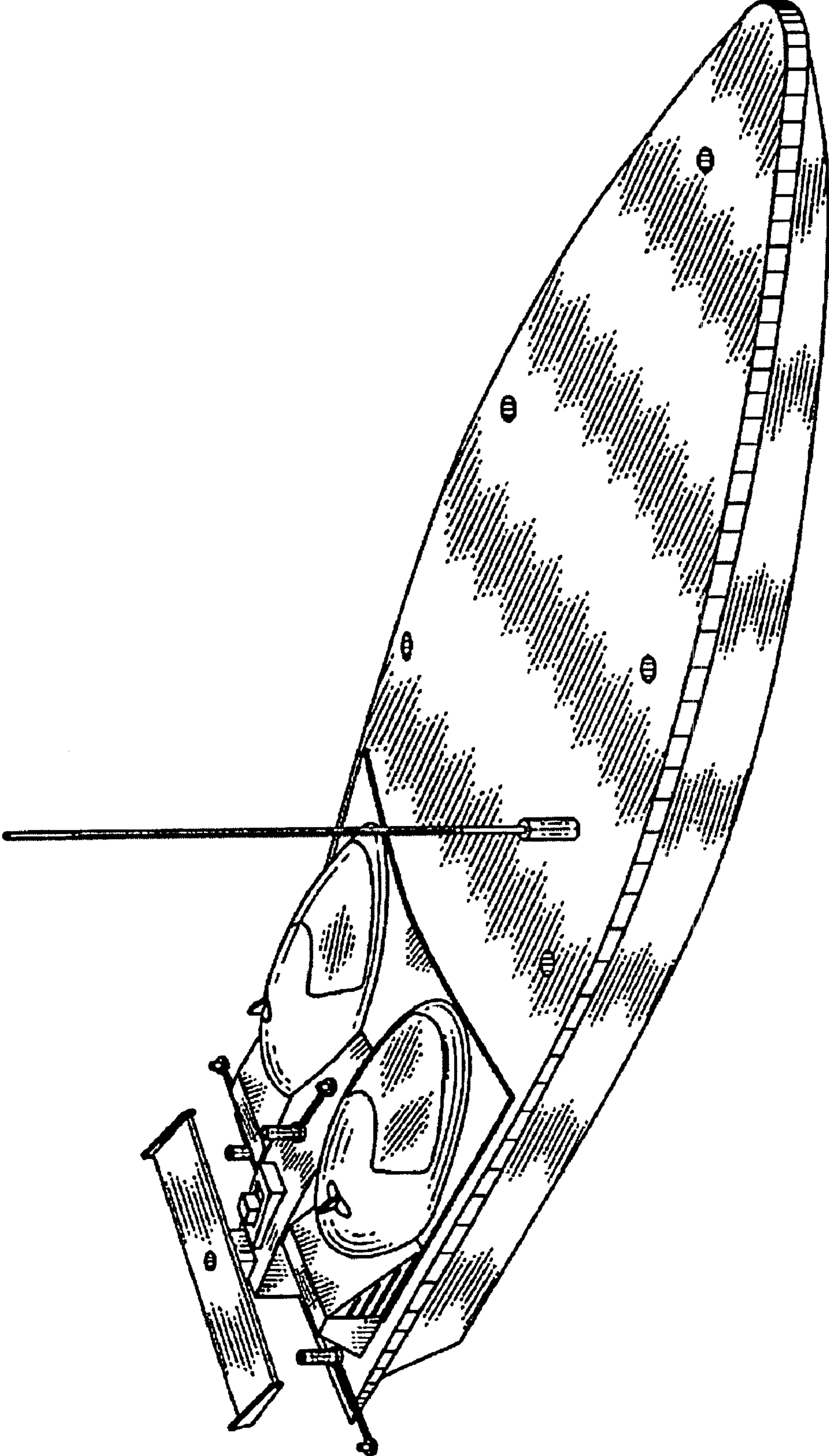


FIG. 1

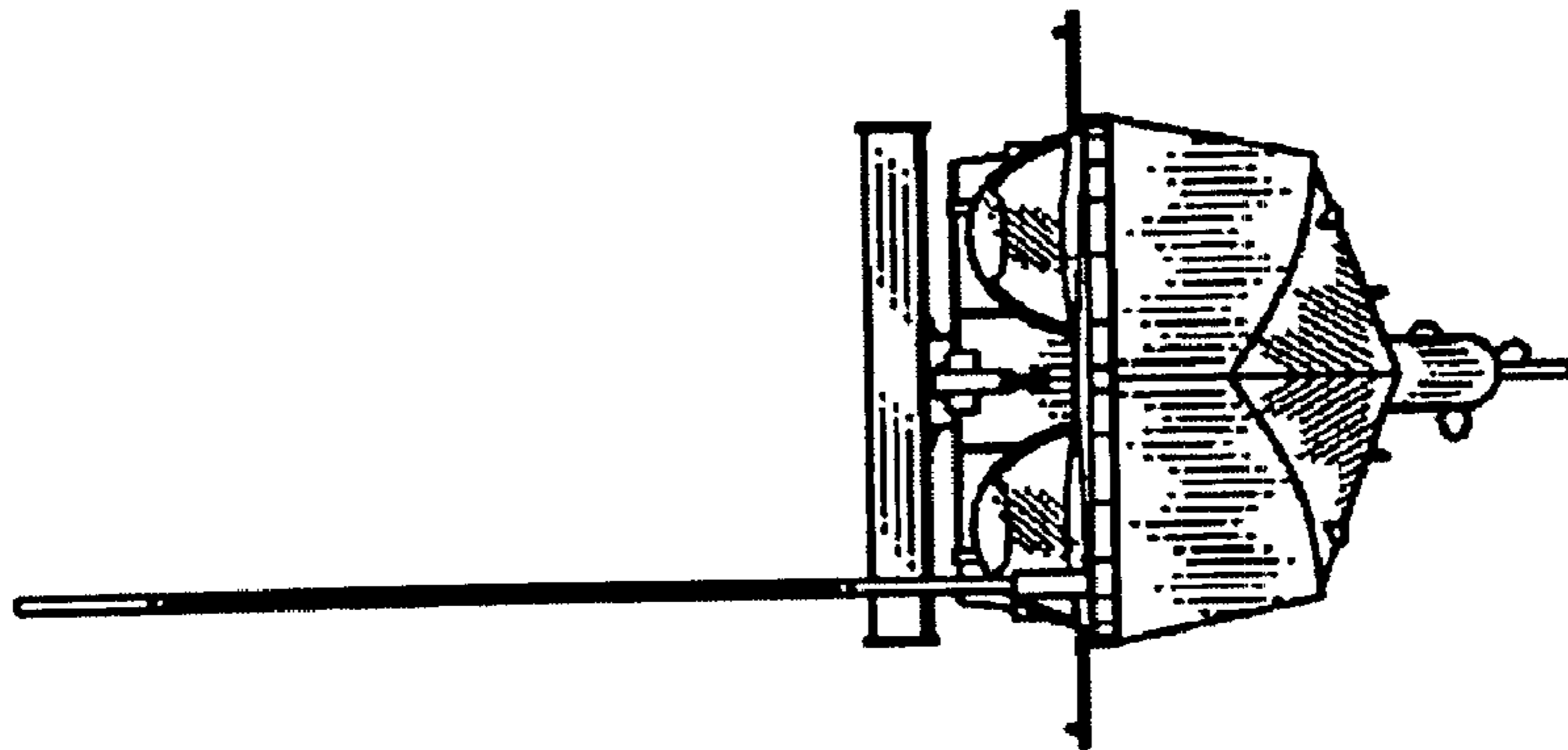


FIG. 2

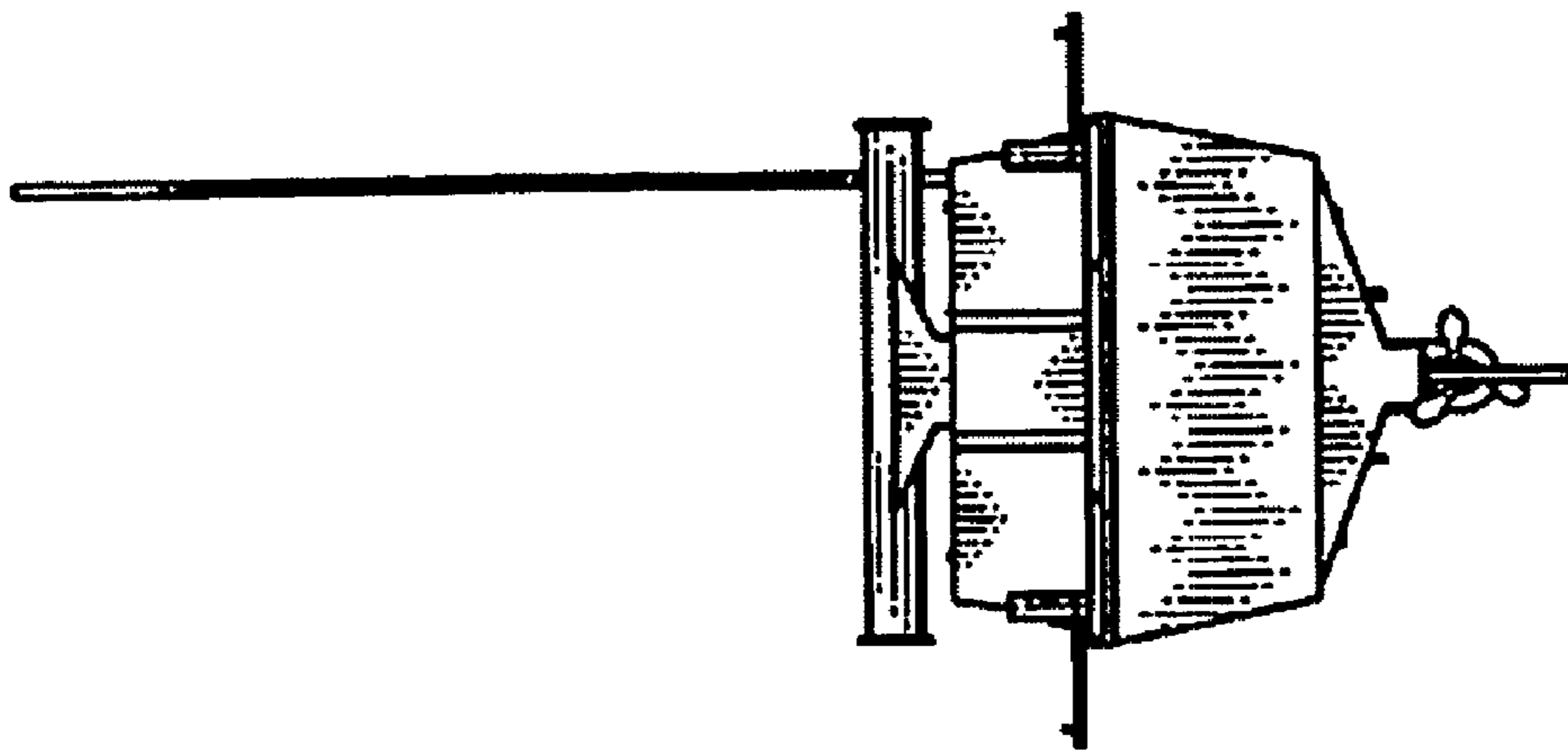


FIG. 3

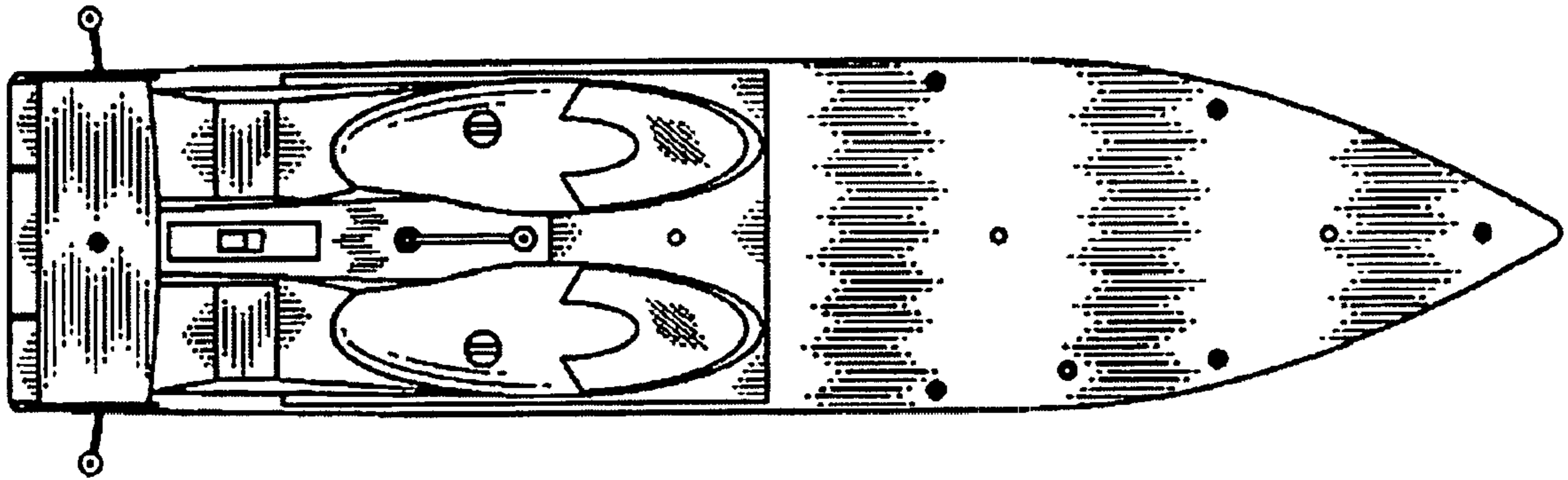


FIG. 4

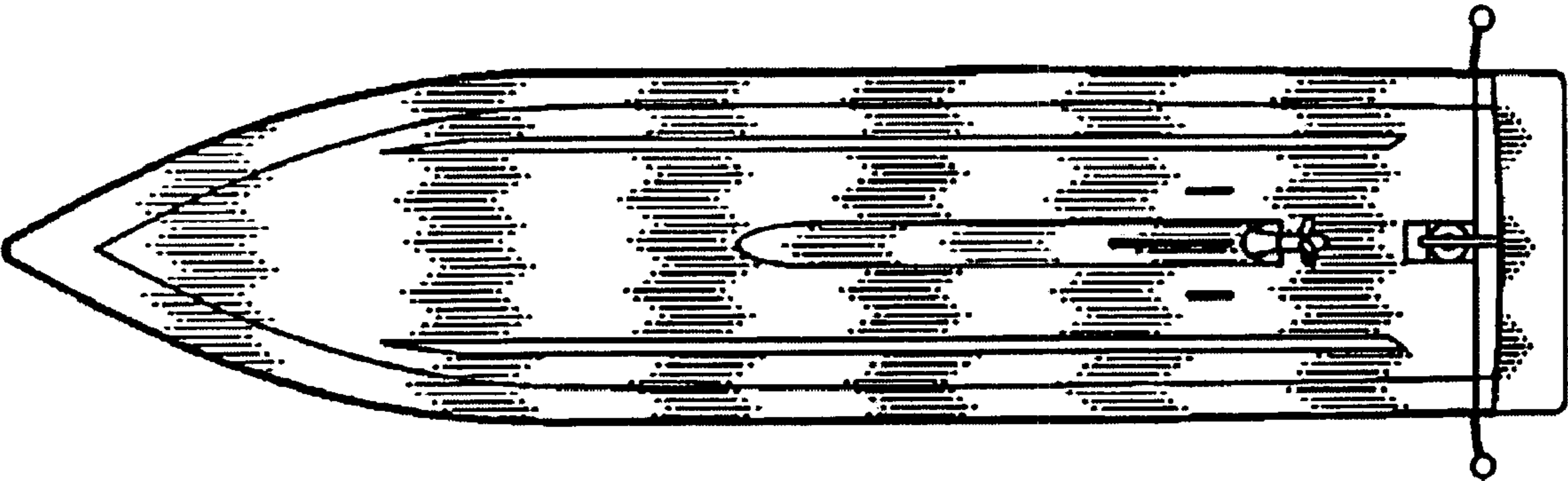


FIG. 5

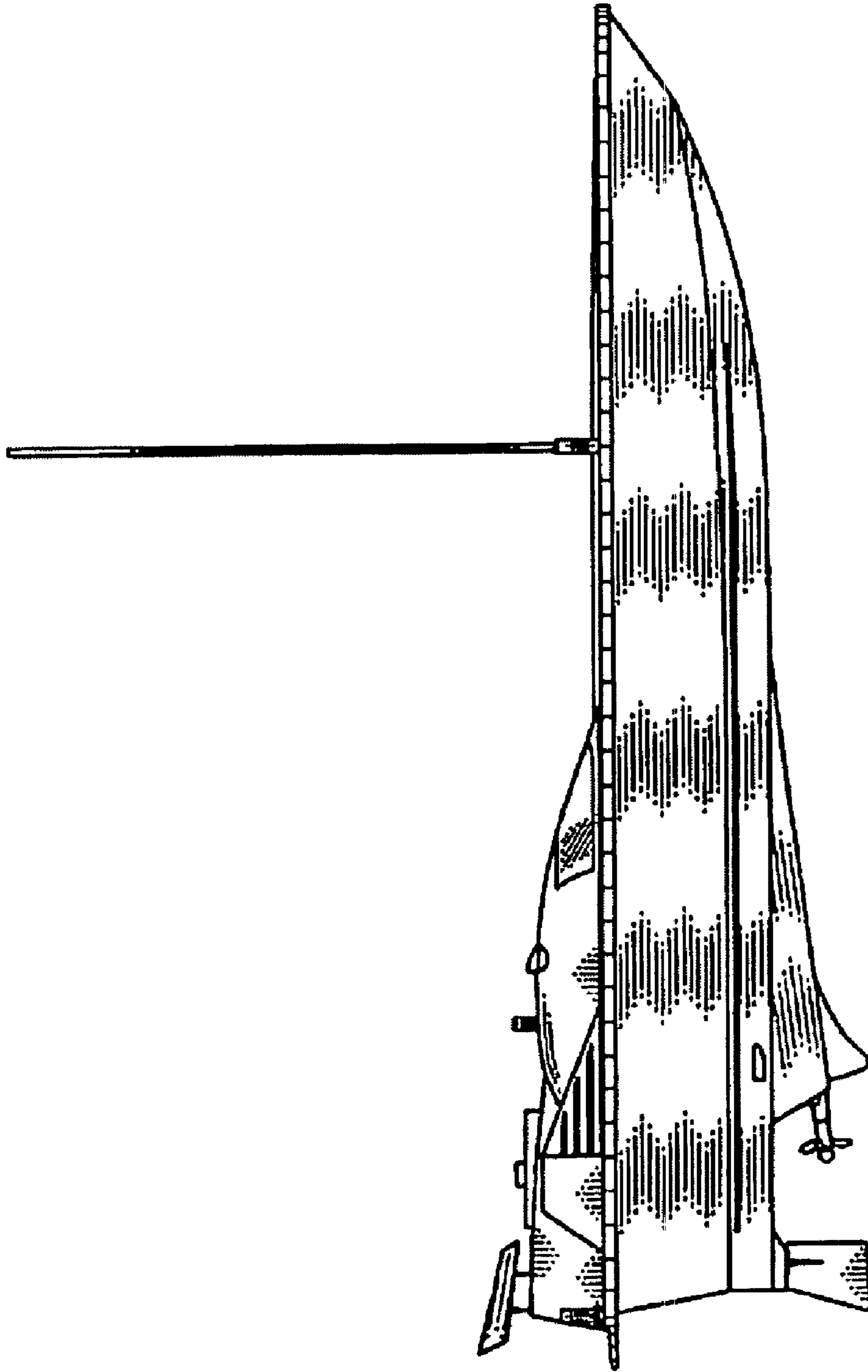


FIG. 6

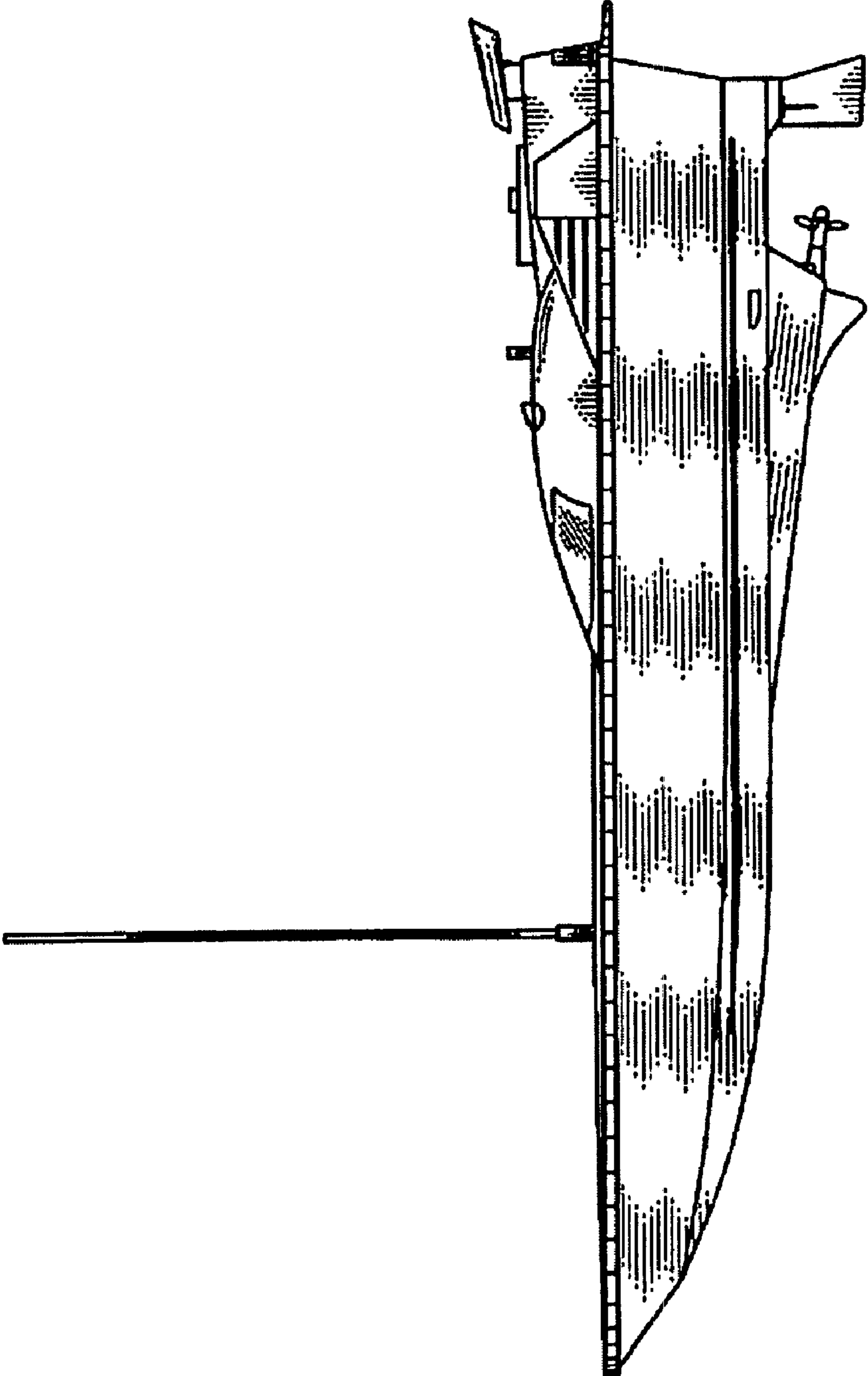


FIG. 7