



US00D505457S

(12) **United States Design Patent**  
**Wong**

(10) **Patent No.: US D505,457 S**

(45) **Date of Patent: \*\* May 24, 2005**

(54) **SCOOTER**

(76) **Inventor: Ka-Ming Wong**, Flat G, 7<sup>th</sup> Floor,  
Block A, Marvel Industries Building,  
25-31 Kwai Fung Crescent, Kwai  
Chung, New Territories, Hong Kong  
SAR (CN)

(\*\*) **Term: 14 Years**

(21) **Appl. No.: 29/195,471**

(22) **Filed: Dec. 12, 2003**

(51) **LOC (7) Cl. .... 21-01**

(52) **U.S. Cl. .... D21/423**

(58) **Field of Search** ..... D21/419-435,  
D21/533, 760, 765, 771; D12/107, 110-112;  
280/87.01, 87.021, 87.041, 87.042, 281.1,  
288.1-288.3, 261, 278, 287; 180/219-231,  
216, 181

(56) **References Cited**

**U.S. PATENT DOCUMENTS**

2,937,884 A \* 5/1960 Lossau ..... 280/288.3  
4,487,283 A \* 12/1984 Suzuki et al. .... 180/219  
5,788,254 A \* 8/1998 Davis ..... 280/261

6,095,274 A \* 8/2000 Patmont ..... 180/181  
D441,323 S \* 5/2001 Cheng ..... D12/111  
D464,002 S \* 10/2002 Ho ..... D12/110  
D470,437 S \* 2/2003 Wachendorf et al. .... D12/110  
D479,285 S \* 9/2003 Jung ..... D21/423  
6,623,023 B2 \* 9/2003 Niitsu et al. .... 280/278  
D483,078 S \* 12/2003 Jung ..... D21/423  
6,752,229 B2 \* 6/2004 Ho ..... 180/220

\* cited by examiner

*Primary Examiner*—Raphael Barkai

(74) *Attorney, Agent, or Firm*—Burns, Doane, Swecker &  
Mathis, L.L.P.

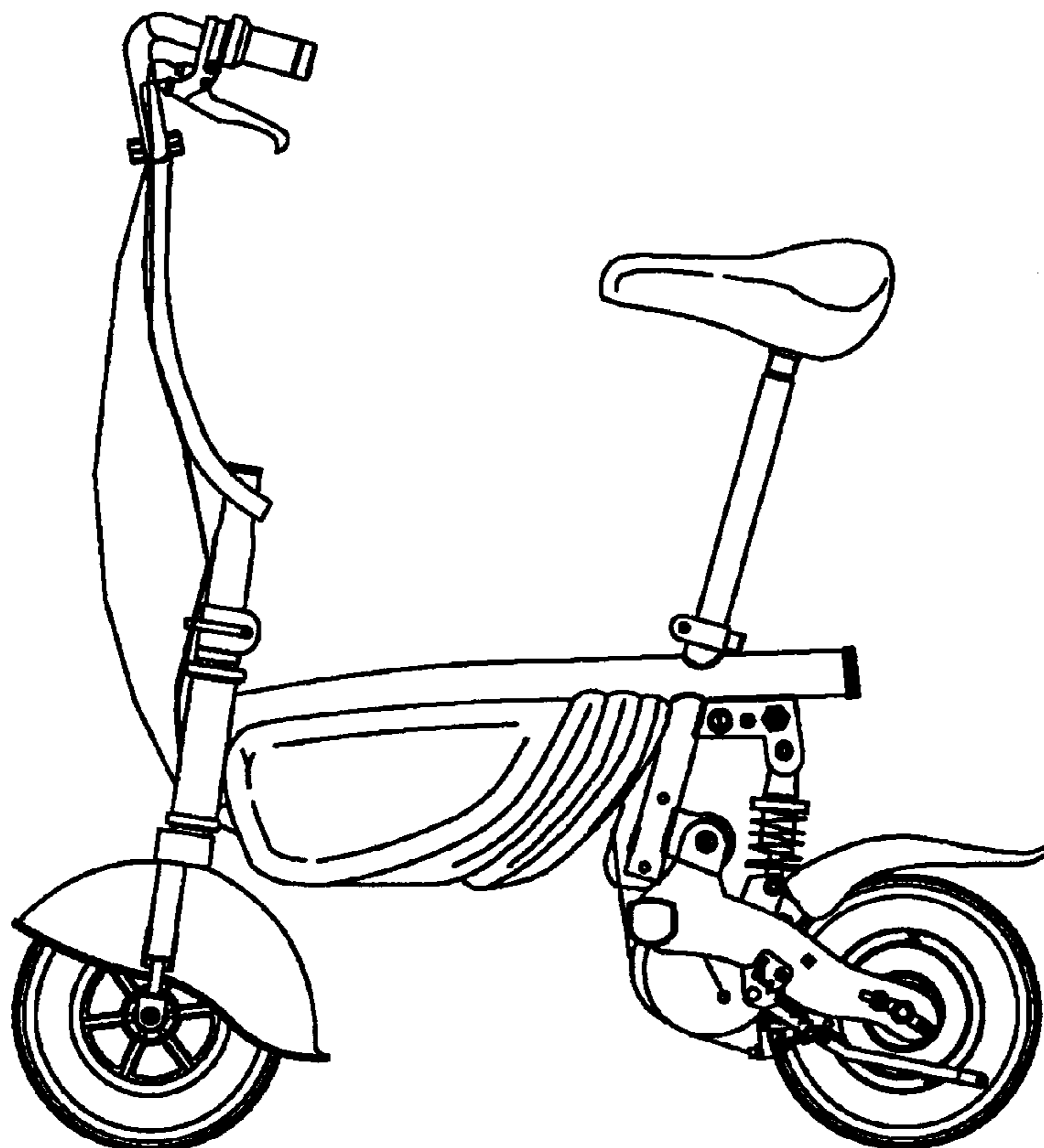
(57) **CLAIM**

The ornamental design for a “scooter,” as shown and  
described.

**DESCRIPTION**

FIG. 1 is a front view of a “scooter” showing my design;  
FIG. 2 is a rear view thereof;  
FIG. 3 is a right side view thereof;  
FIG. 4 is a left side view thereof;  
FIG. 5 is a top plan view thereof; and,  
FIG. 6 is a bottom view thereof.

**1 Claim, 3 Drawing Sheets**



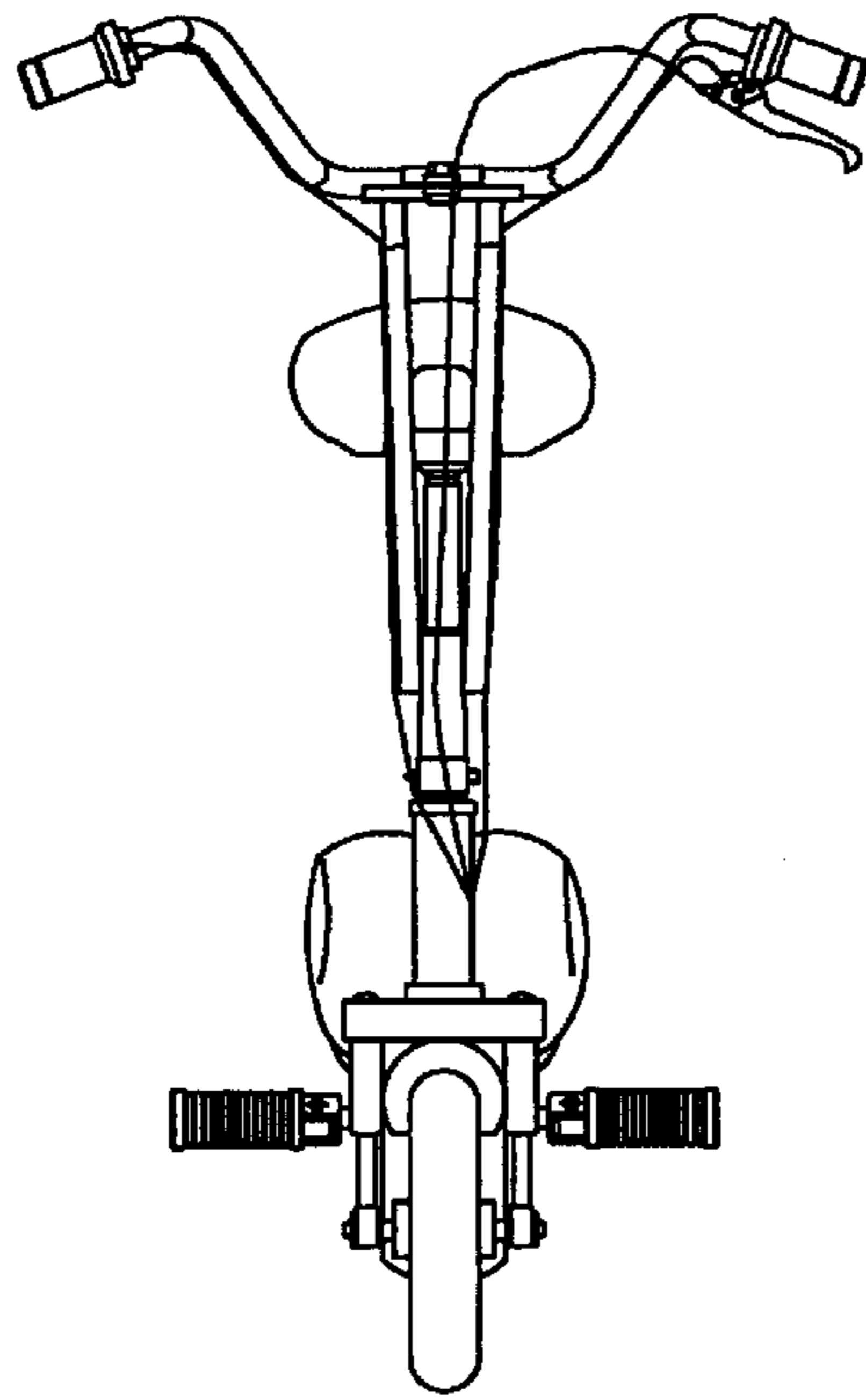


Fig. 1

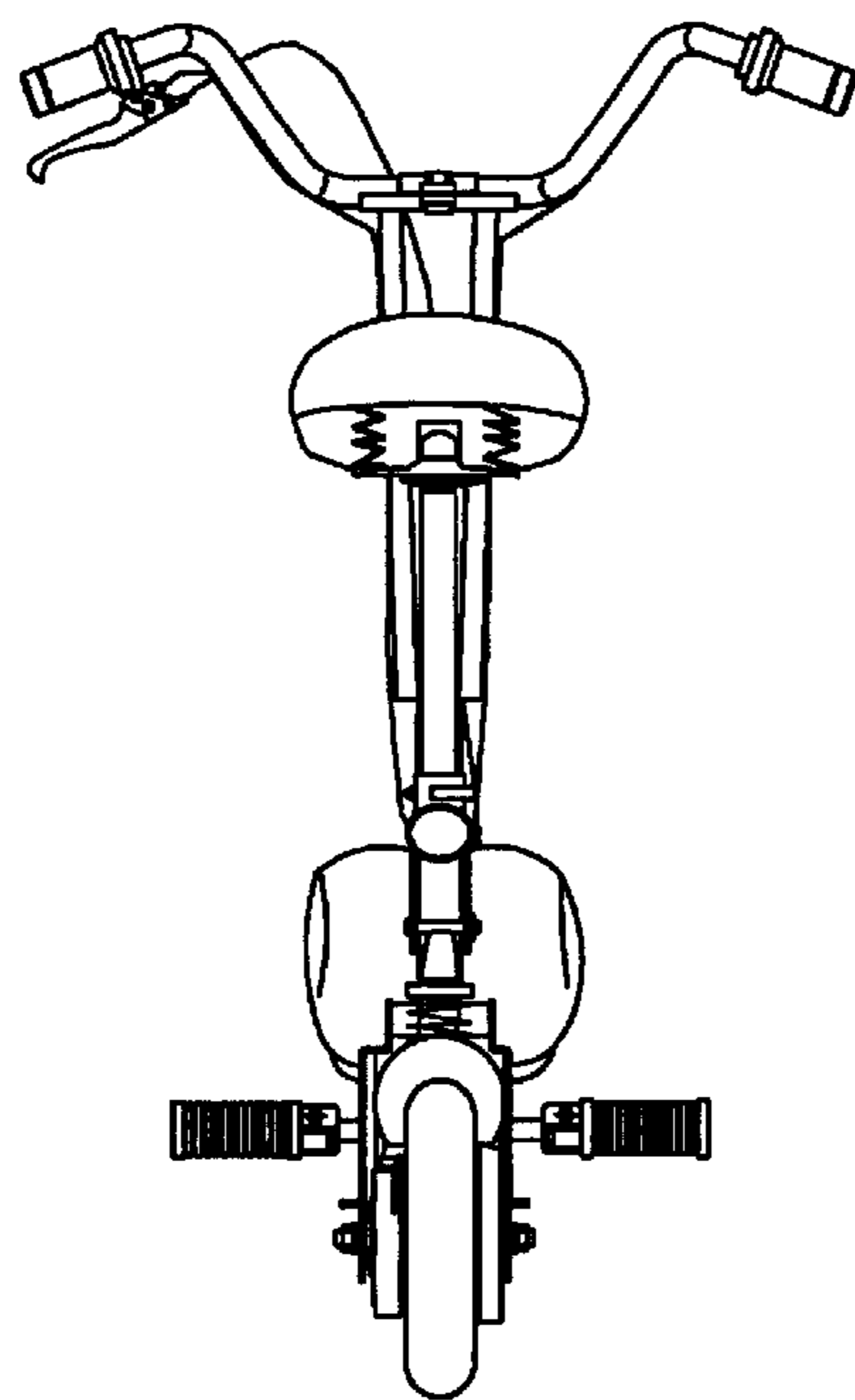


Fig. 2

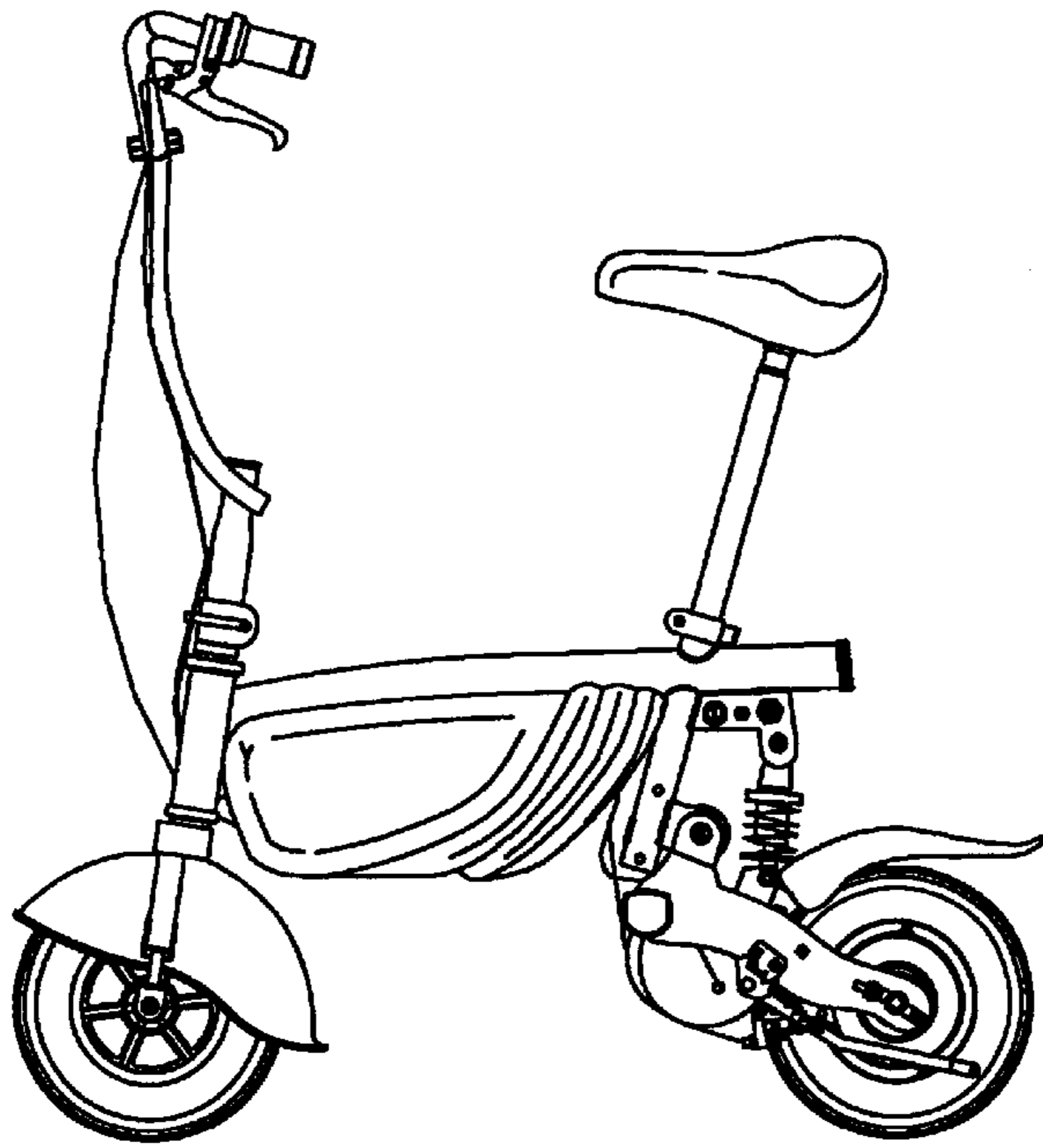


Fig. 3

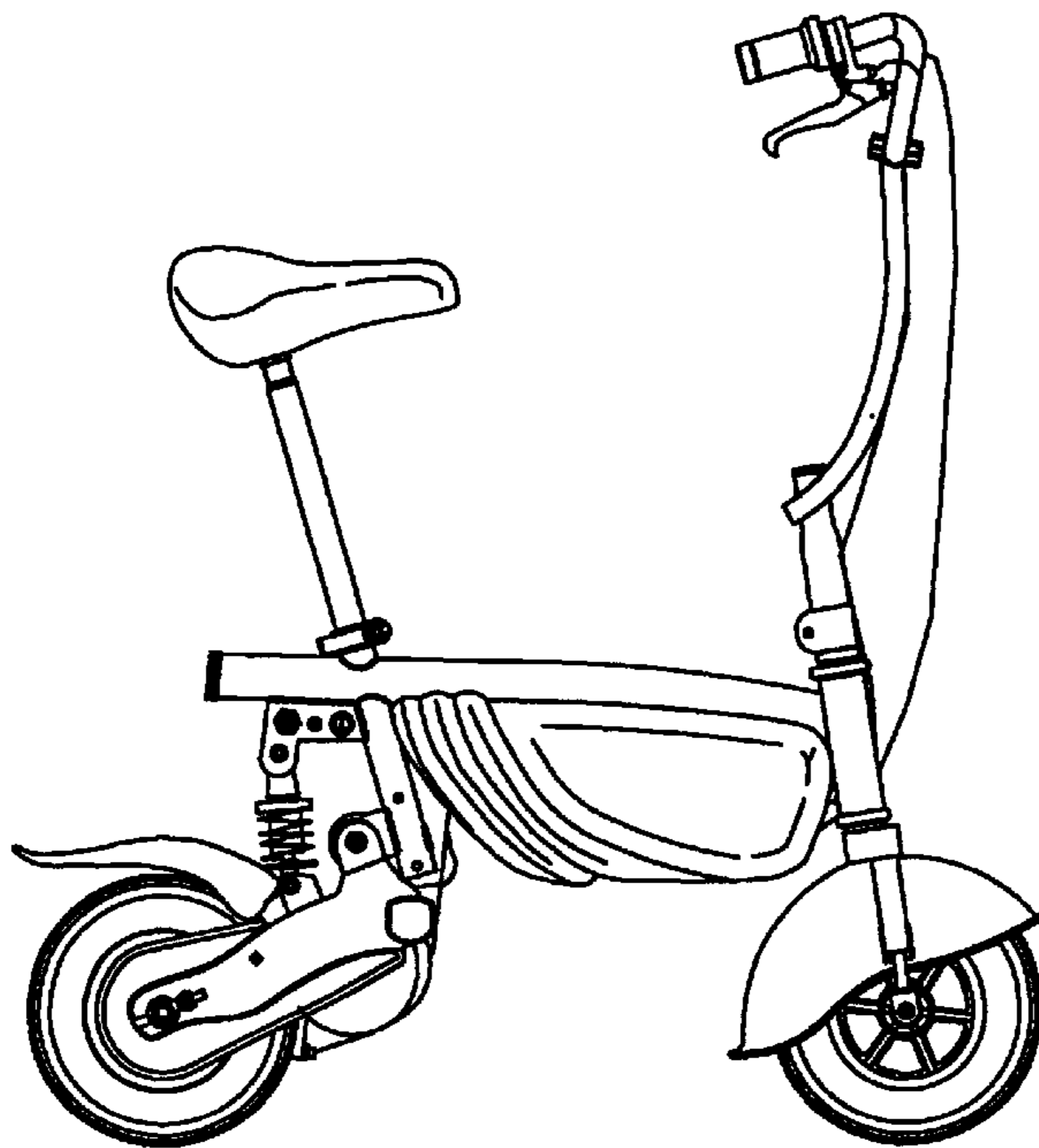


Fig. 4

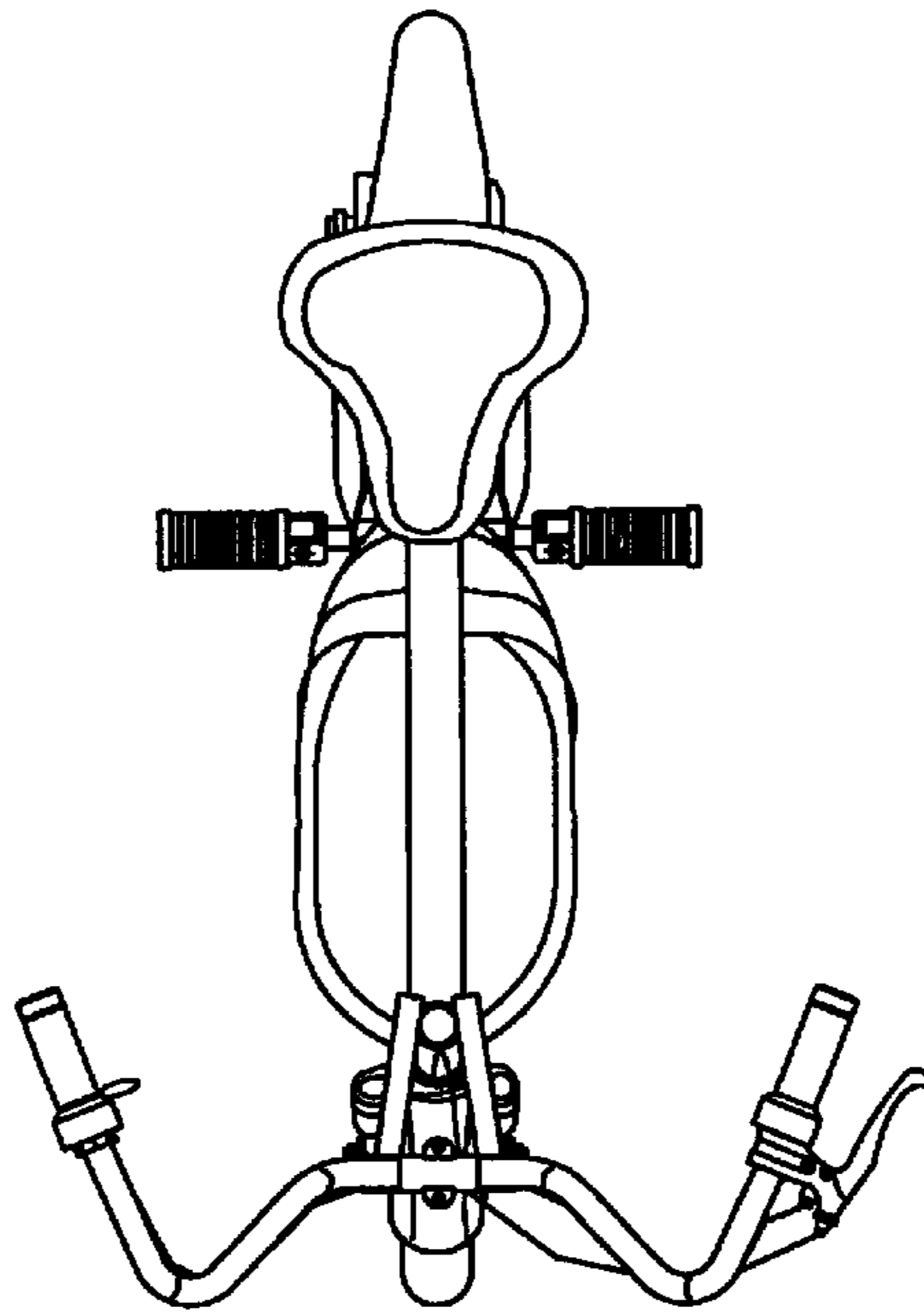


Fig. 5

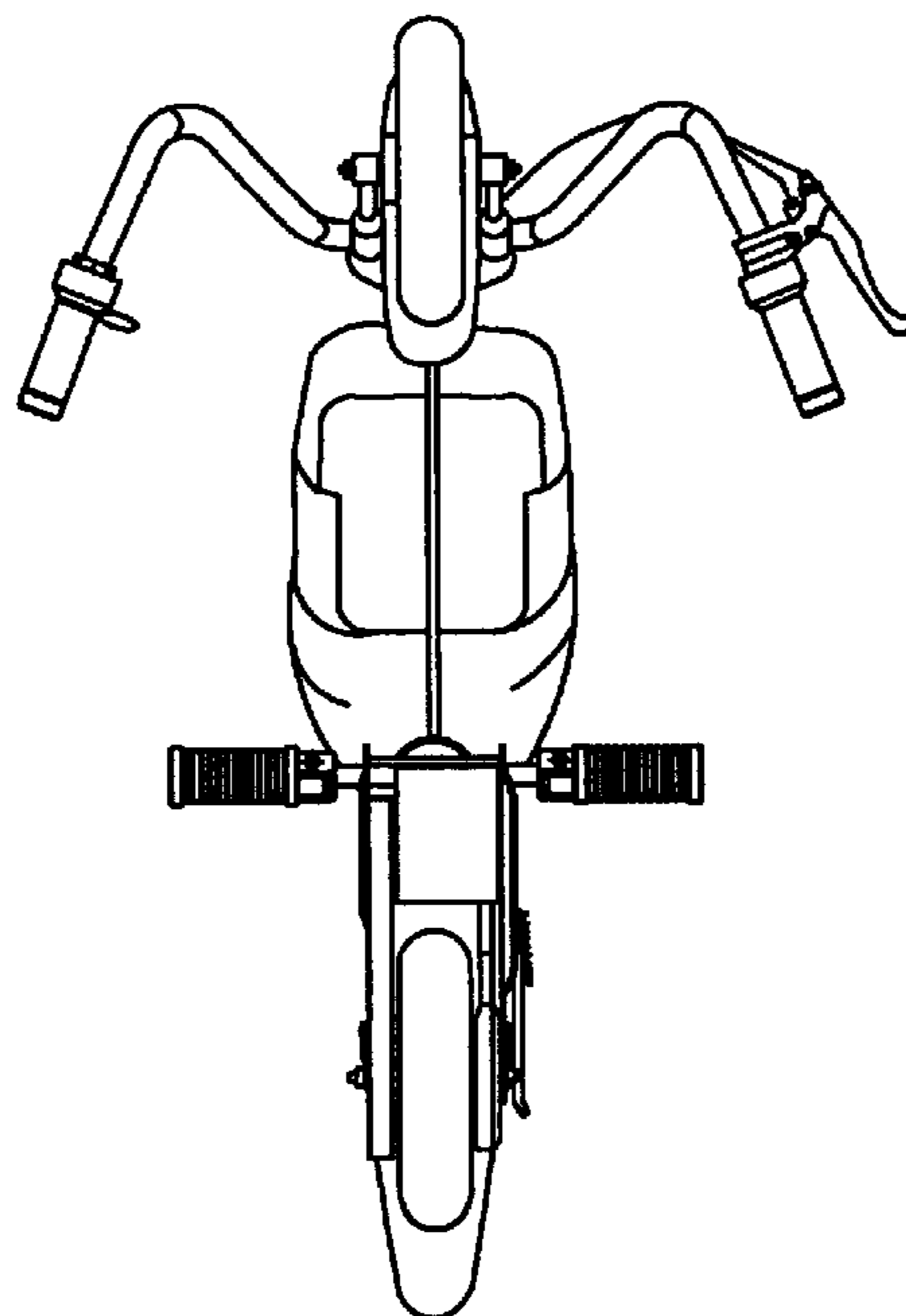


Fig. 6