

US00D505455S

(12) **United States Design Patent**
Lee et al.

(10) **Patent No.: US D505,455 S**

(45) **Date of Patent: ** *May 24, 2005**

(54) **HOCKEY HELMET ILLUMINATED DISPLAY**

(75) Inventors: **Michael Lee**, Baltimore, MD (US); **Raf Vanreusel**, Reistertown, MD (US)

(73) Assignee: **PTC International**, Baltimore, MD (US)

(*) Notice: This patent is subject to a terminal disclaimer.

(**) Term: **14 Years**

(21) Appl. No.: **29/199,232**

(22) Filed: **Feb. 12, 2004**

(51) **LOC (7) Cl.** **20-03**

(52) **U.S. Cl.** **D20/29**

(58) **Field of Search** D20/10, 12, 23, D20/29, 32-33, 40, 42, 99; D11/133-134, 136; 40/545, 581, 612; 362/222-223, 228

(56) **References Cited**

U.S. PATENT DOCUMENTS

D322,633 S * 12/1991 Sweeting et al. D20/29
D339,380 S * 9/1993 Scapillato D20/29

D355,393 S 2/1995 Bezener et al. D21/660
D355,394 S 2/1995 Bezener et al. D21/660
D421,066 S * 2/2000 Nieder D20/41
D473,265 S * 4/2003 Miska D20/29
D475,416 S * 6/2003 Henshaw et al. D20/29
D487,580 S * 3/2004 Lee et al. D20/29

* cited by examiner

Primary Examiner—Robert M. Spear
(74) *Attorney, Agent, or Firm*—McGuireWoods LLP

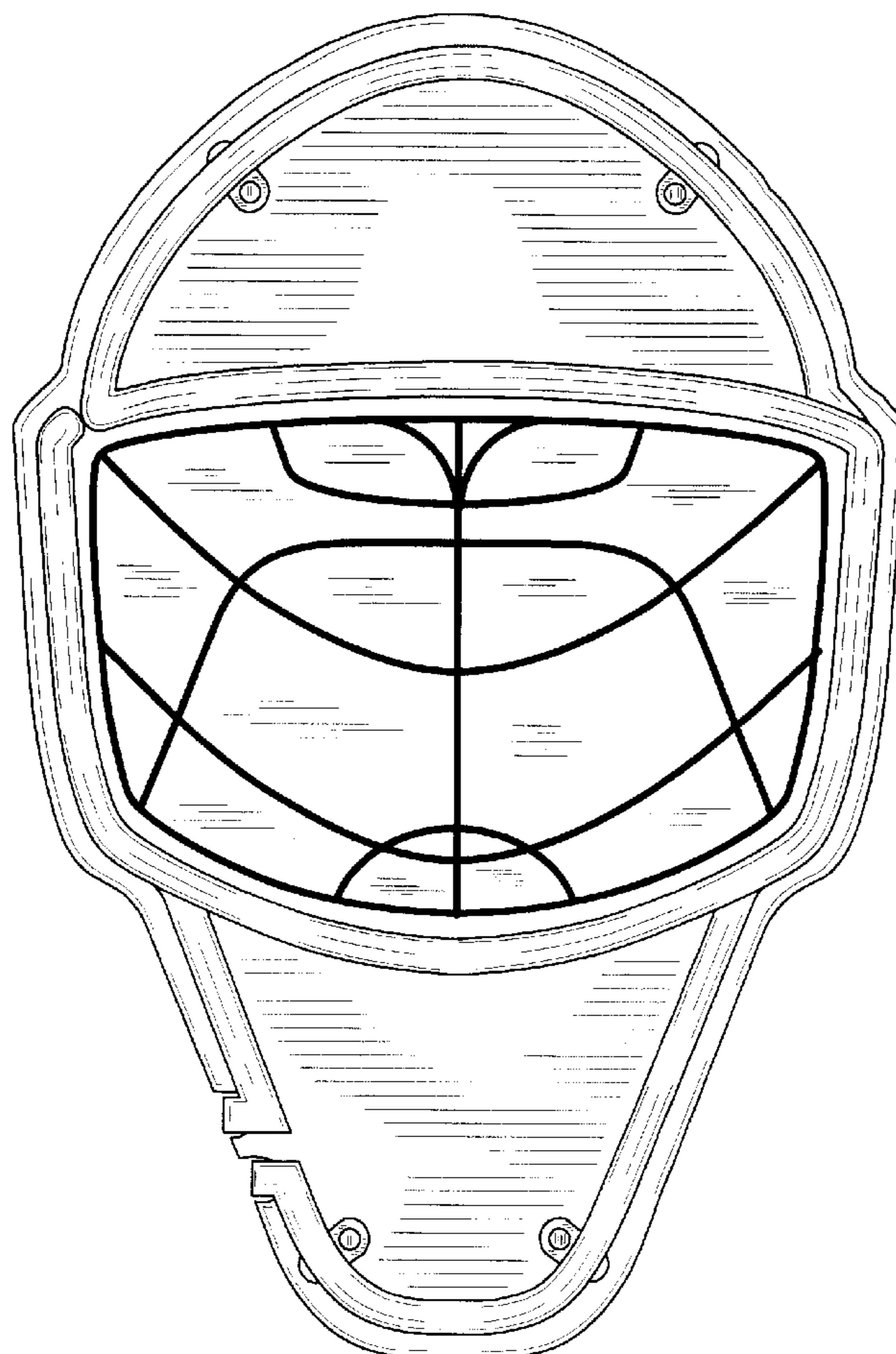
(57) **CLAIM**

We claim the ornamental design for a hockey helmet illuminated display, as shown and described.

DESCRIPTION

FIG. 1 is a back elevational view of the display.
FIG. 2 is a bottom plan view of the display.
FIG. 3 is a front elevational view of the display.
FIG. 4 is a top plan view of the display.
FIG. 5 is a side plan view of the display; and,
FIG. 6 is a side plan view of the display.
The broken lines in the drawings represent environmental structure only and form no part of the claimed design.

1 Claim, 6 Drawing Sheets



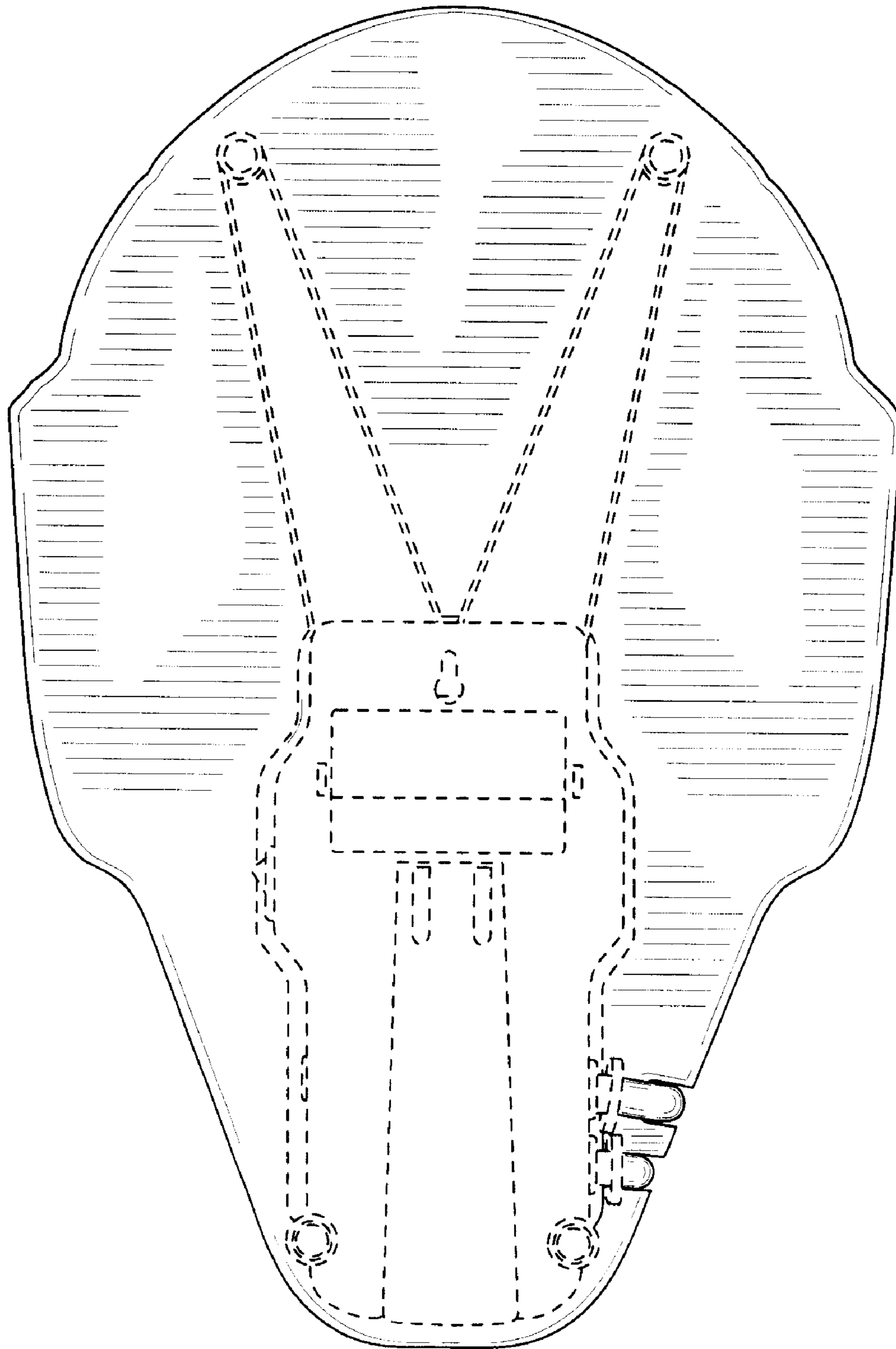


FIG. 1

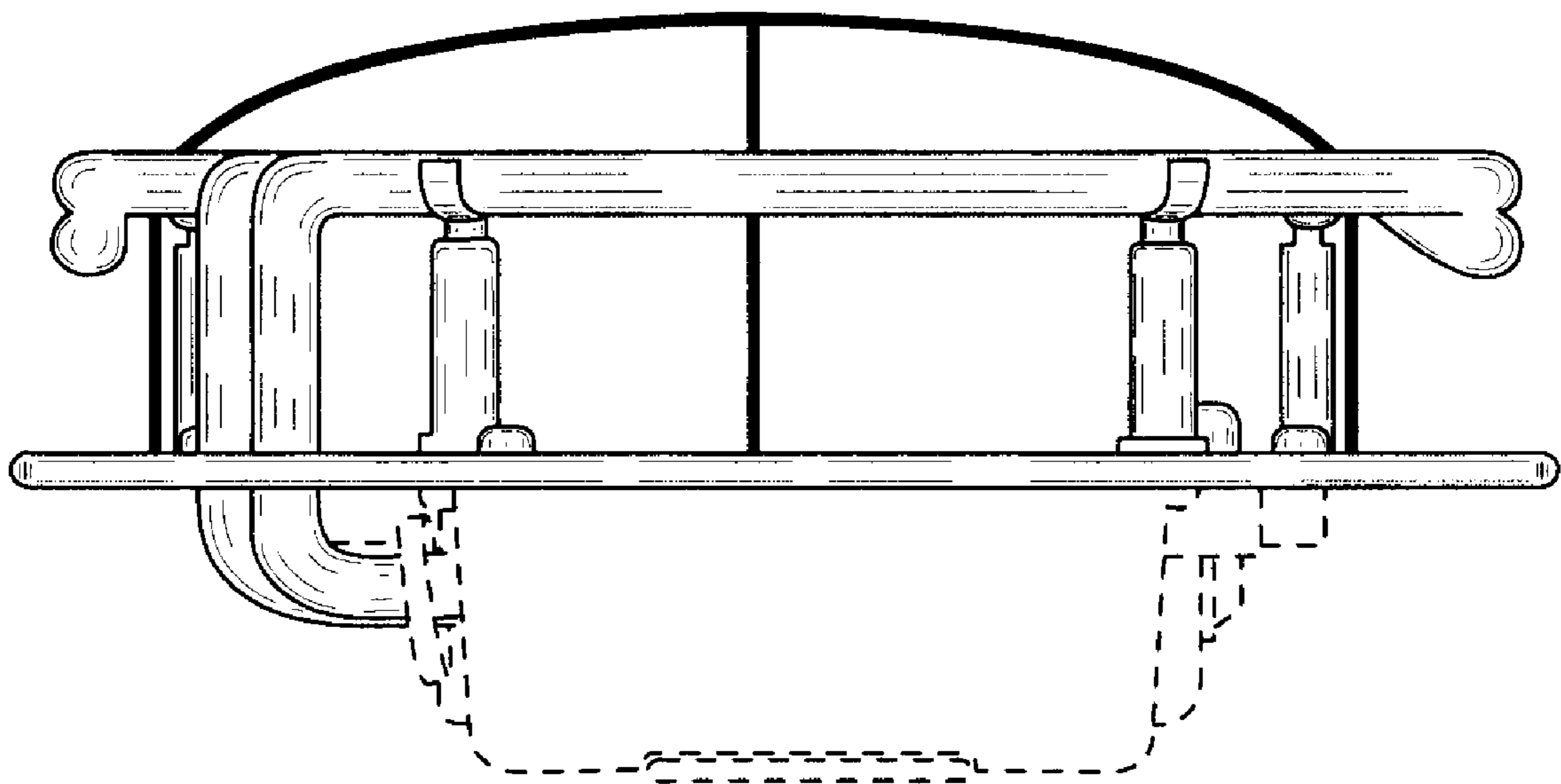


FIG. 2

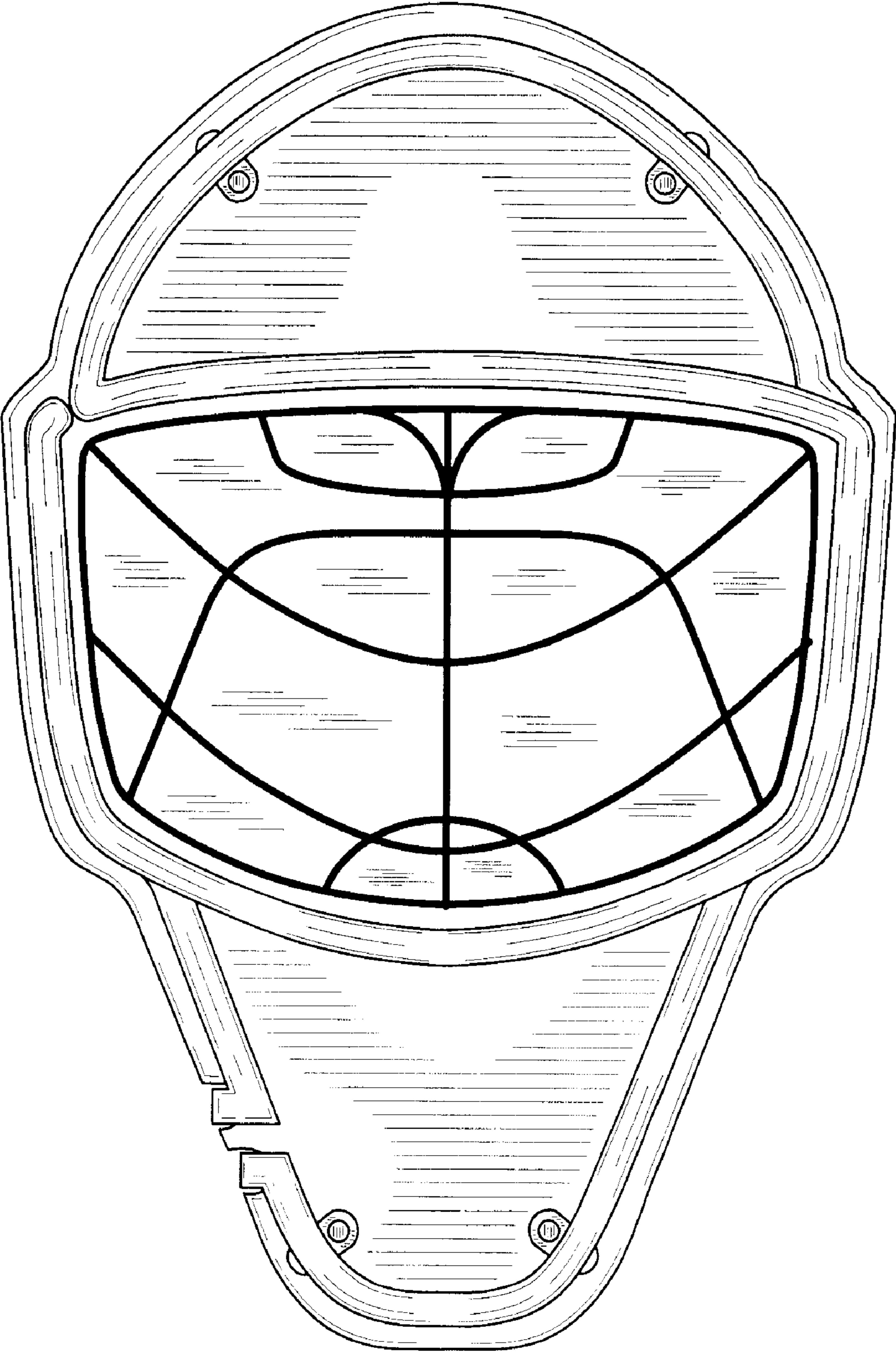


FIG. 3

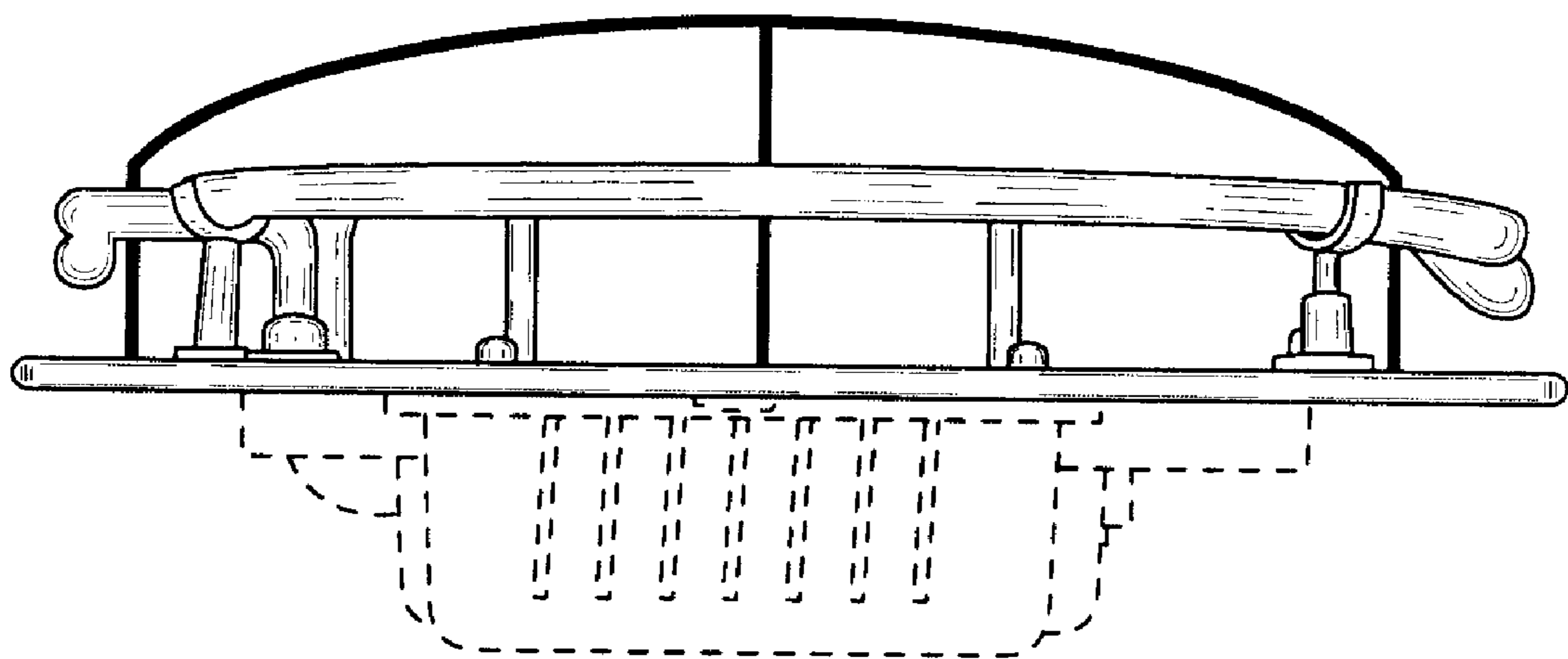


FIG. 4

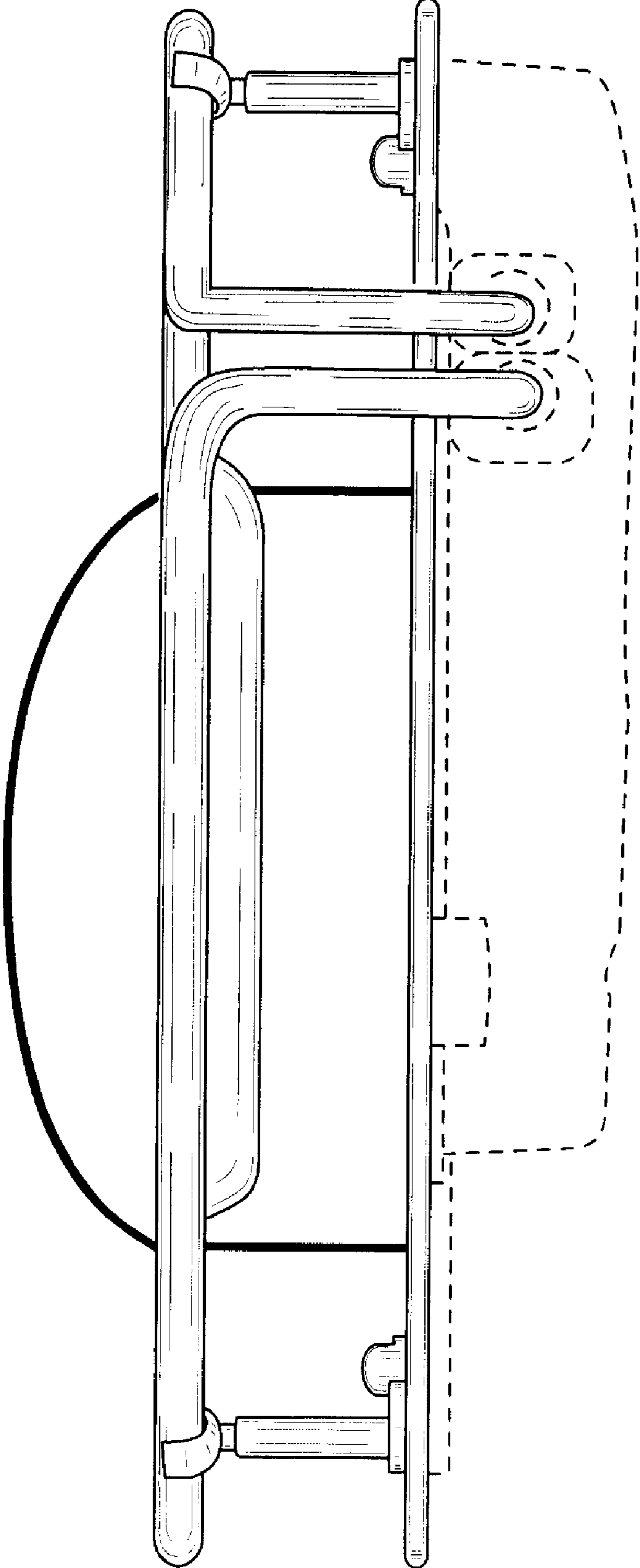


FIG. 5

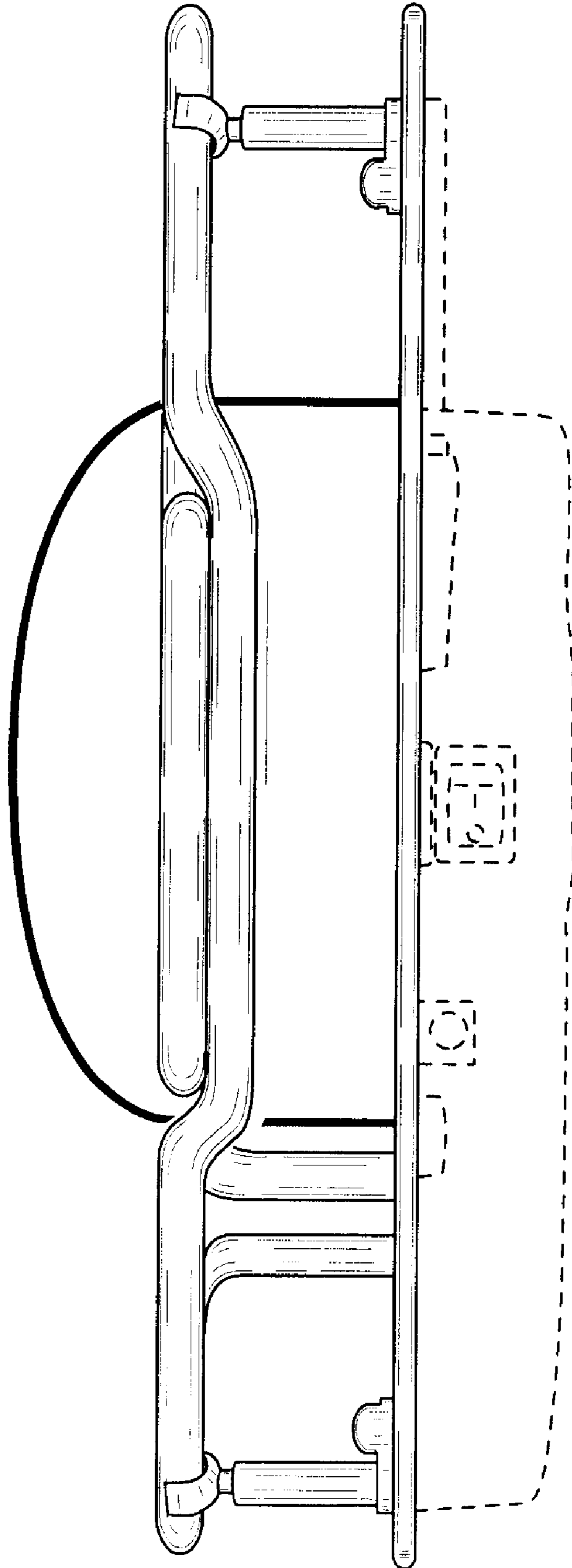


FIG. 6