



US00D505446S

(12) **United States Design Patent**
Davies et al.

(10) **Patent No.: US D505,446 S**
(45) **Date of Patent: ** May 24, 2005**

(54) **GUILLOTINE FOR CUTTING PAPER**

D469,800 S * 2/2003 Robillard D18/34
D483,398 S * 12/2003 Mori et al. D18/34

(75) Inventors: **Gareth William Humphreys Davies,**
Pyle (GB); **Simon David Bathard,** Pyle
(GB)

FOREIGN PATENT DOCUMENTS

(73) Assignee: **Tonic Studios Limited,** Pyle (GB)

GB 3001970 * 5/2002
WO DM/047045 * 2/1999
WO DM/058148 * 11/2001

(**) Term: **14 Years**

* cited by examiner

(21) Appl. No.: **29/204,293**

Primary Examiner—Charles A. Rademaker

(22) Filed: **Apr. 28, 2004**

(74) *Attorney, Agent, or Firm*—Millen, White, Zelano &
Branigan, P.C.

(30) **Foreign Application Priority Data**

(57) **CLAIM**

Feb. 24, 2004 (EP) 000140918

The ornamental design for a guillotine for cutting paper, as
shown and described.

(51) **LOC (7) Cl. 18-04**

DESCRIPTION

(52) **U.S. Cl. D18/34**

(58) **Field of Search** D18/34, 99; D15/127,
D15/141; 241/100, 236; 156/147, 149,
578, 908; 281/27.1, 27.2, 27.3, 21.2; 412/38,
40, 42, 43

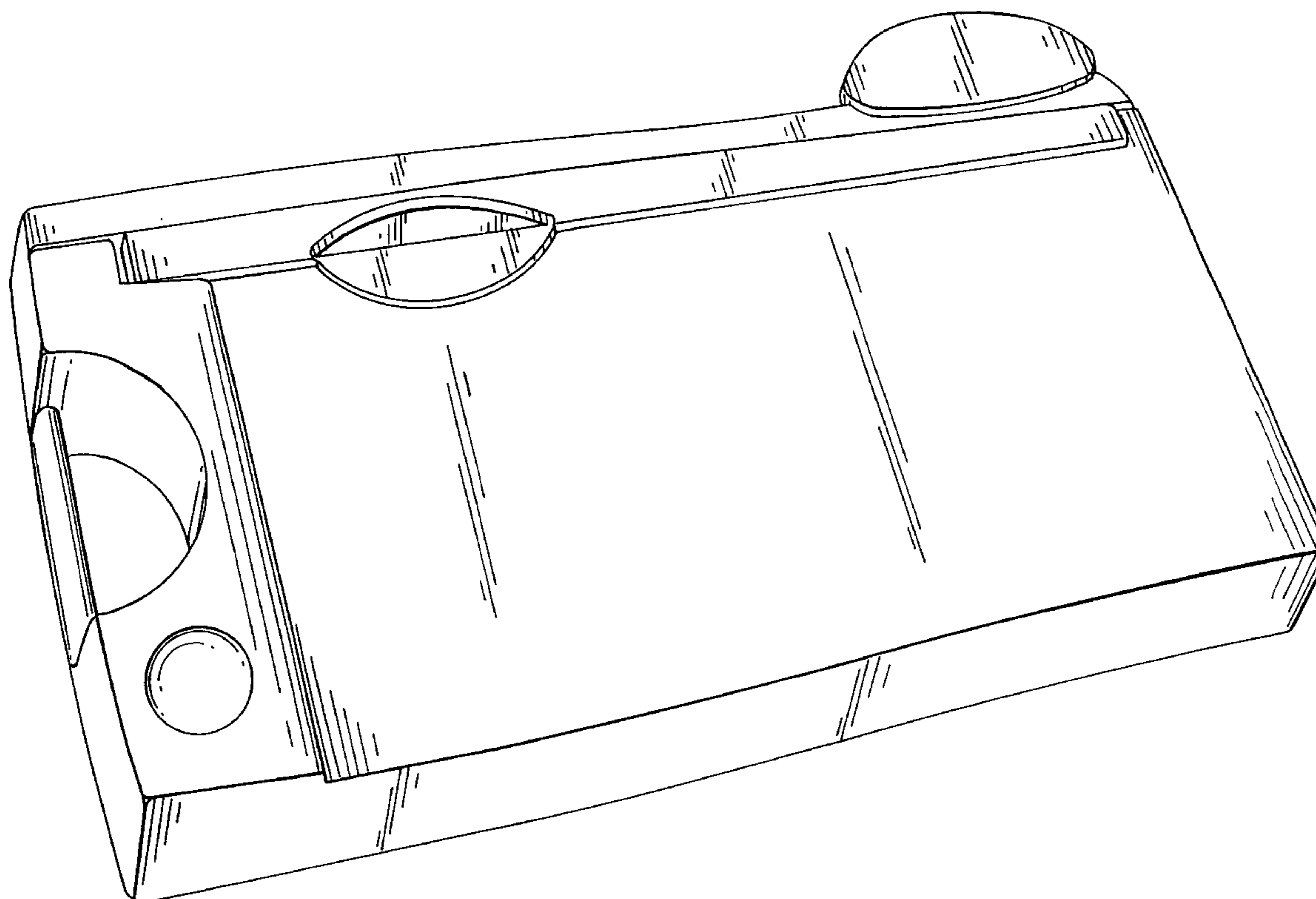
FIG. 1 is a top, front and side perspective view of a guillotine
for cutting paper showing our new design;
FIG. 2 is another top perspective thereof taken from the rear
and side opposite;
FIG. 3 is a top perspective view thereof;
FIG. 4 is a bottom perspective view thereof;
FIG. 5 is a side perspective view thereof;
FIG. 6 is another side perspective view thereof, taken from
the side opposite that shown in FIG. 5;
FIG. 7 is a front perspective view thereof; and,
FIG. 8 is a bottom perspective view thereof.

(56) **References Cited**

U.S. PATENT DOCUMENTS

D376,813 S * 12/1996 Haug et al. D18/34
D379,193 S * 5/1997 Cornell D18/34
D415,519 S * 10/1999 Mori D18/34
D417,693 S * 12/1999 Daley, Jr. D18/34
D427,626 S * 7/2000 Robillard D18/34
D468,343 S * 1/2003 Lira-Nunez D18/34

1 Claim, 6 Drawing Sheets



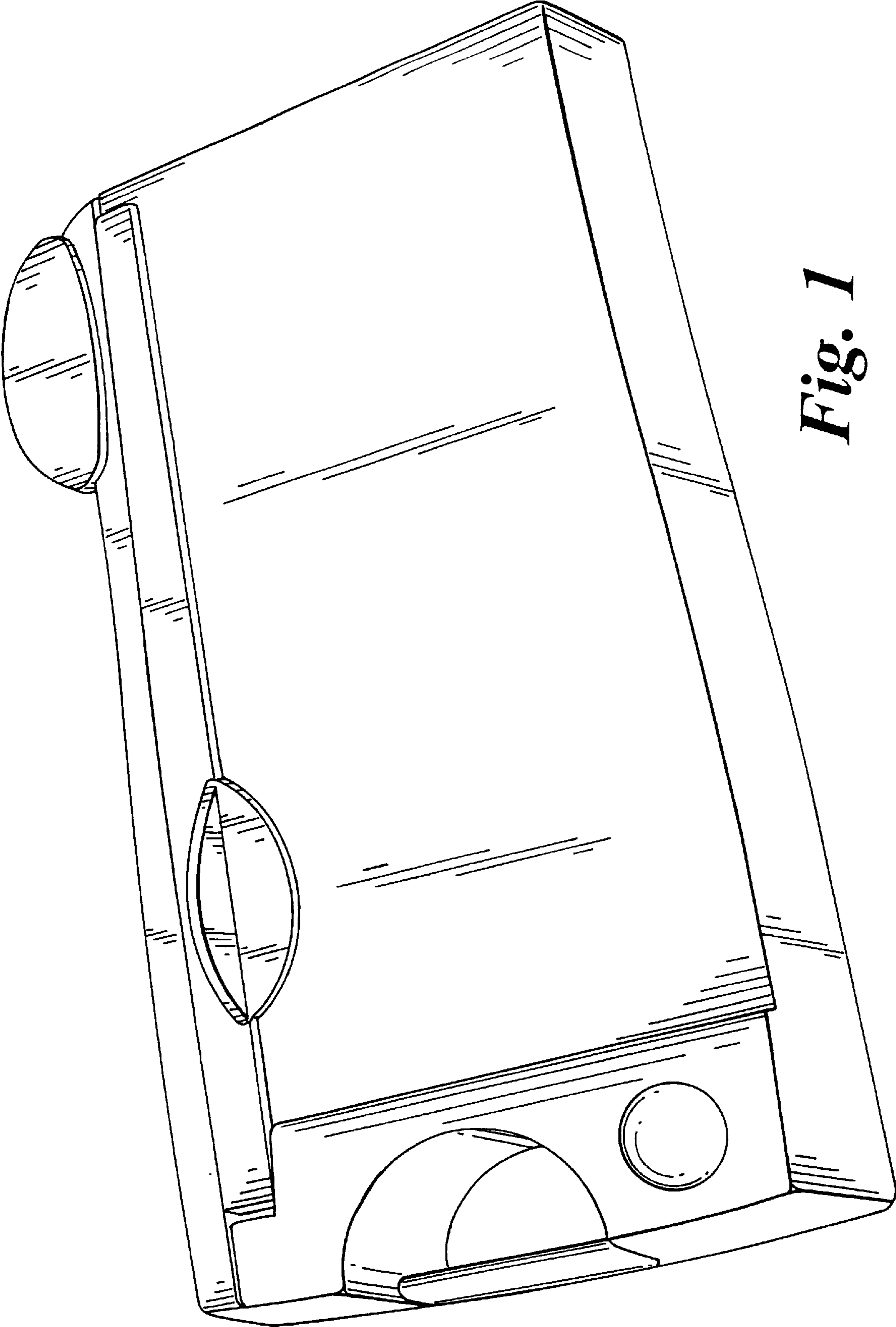


Fig. 1

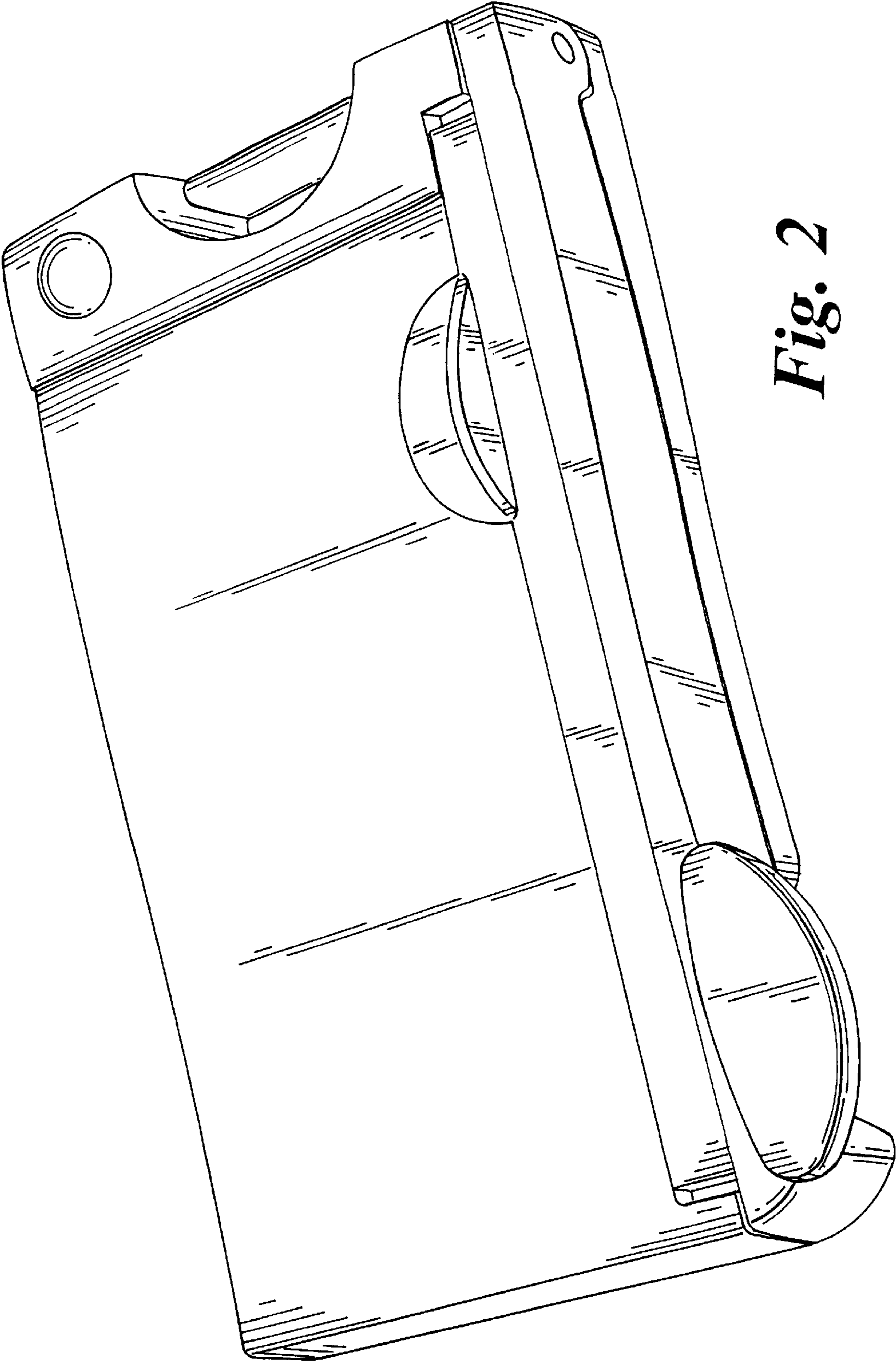


Fig. 2

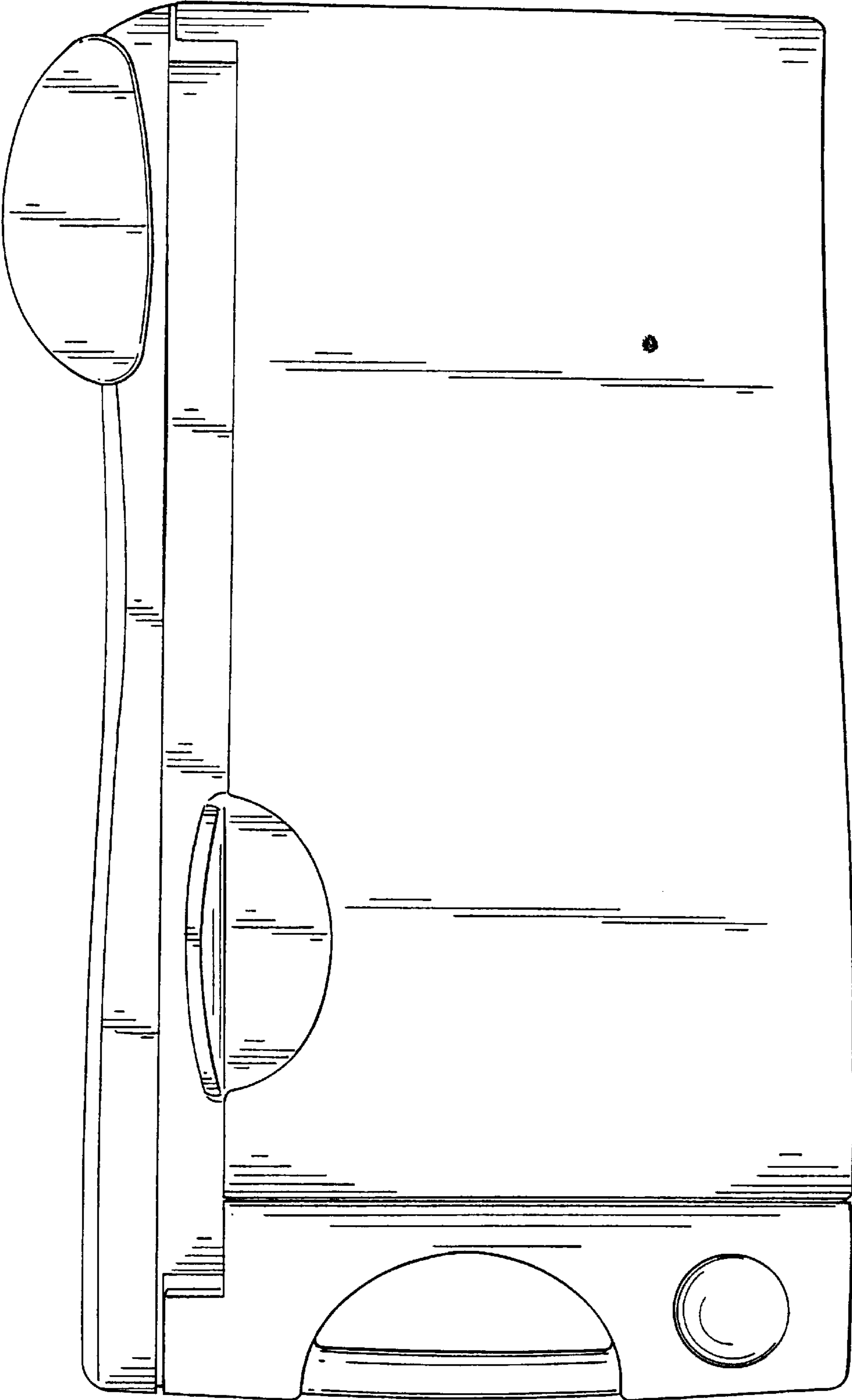


Fig. 3

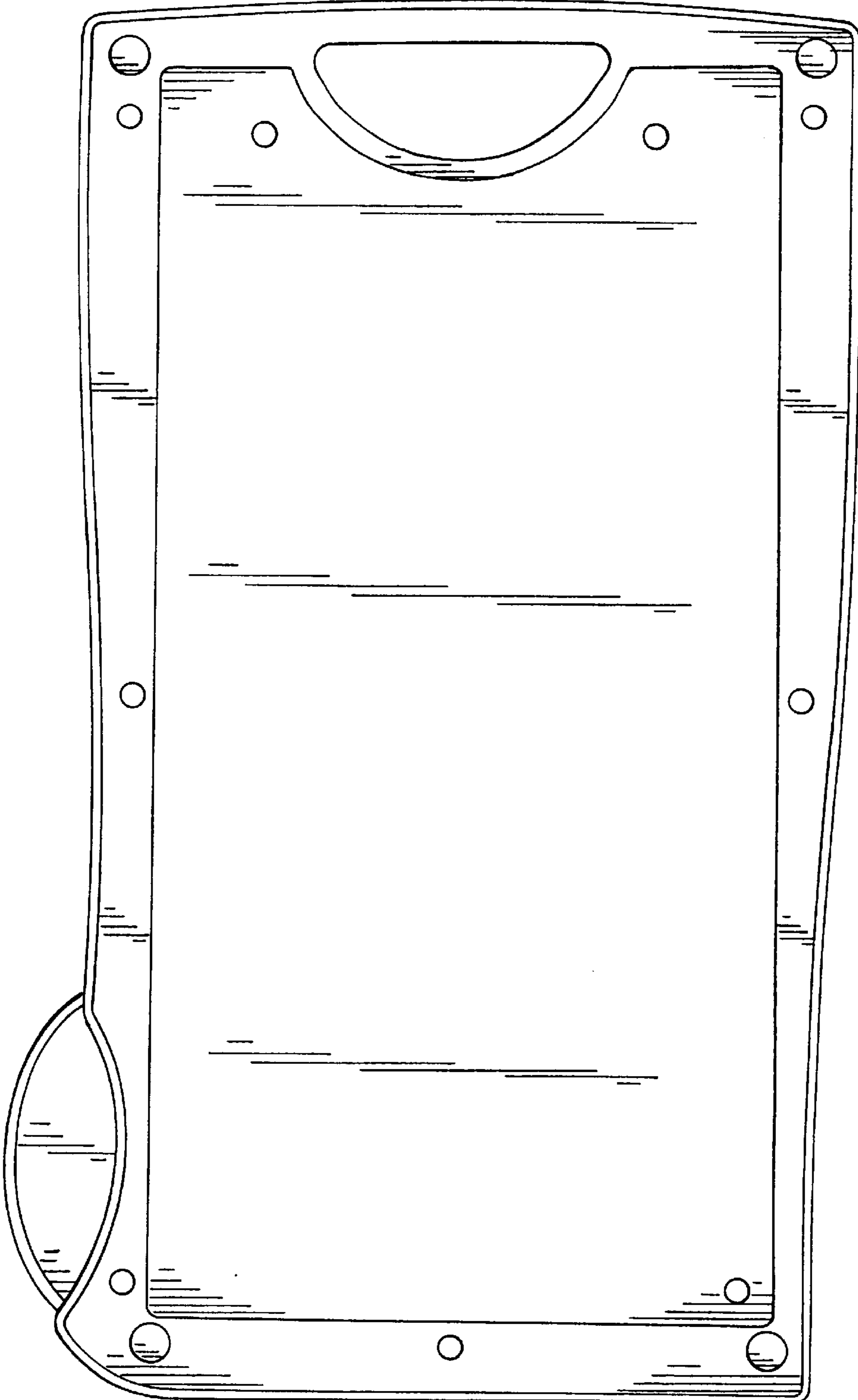


Fig. 4

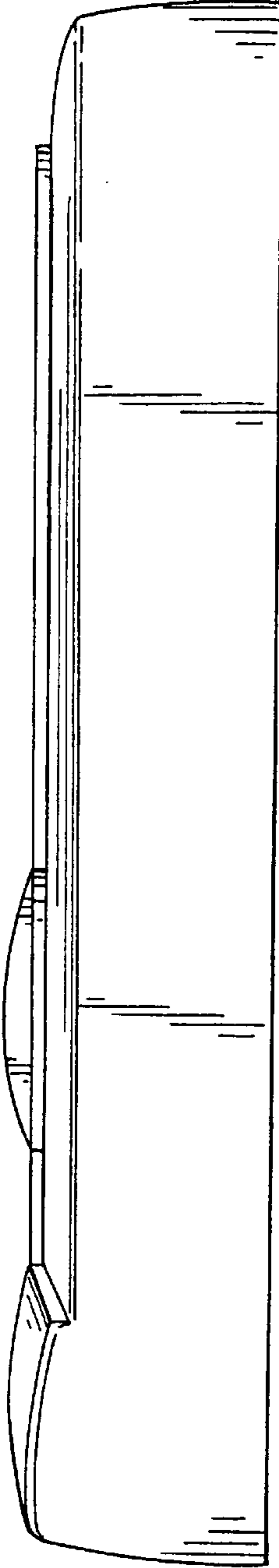


Fig. 5

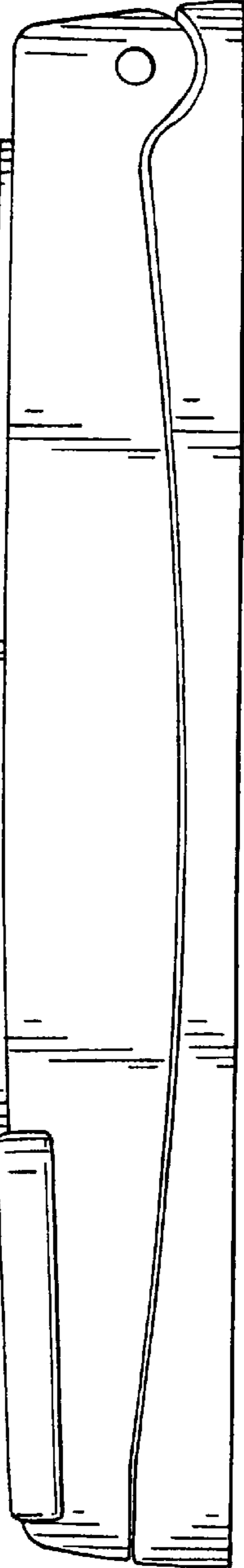


Fig. 6

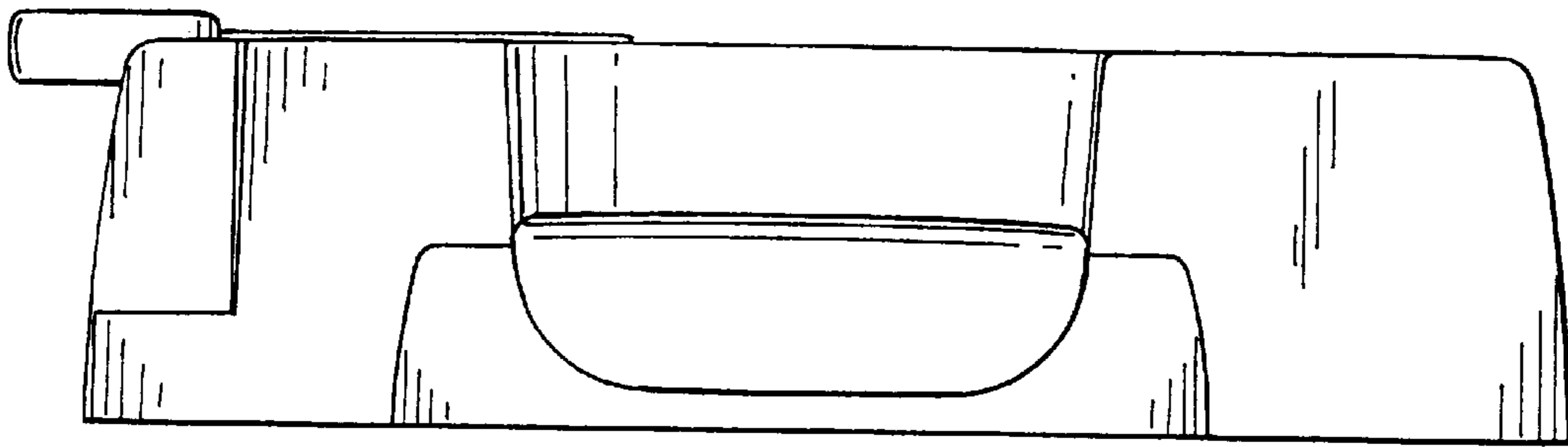


Fig. 7

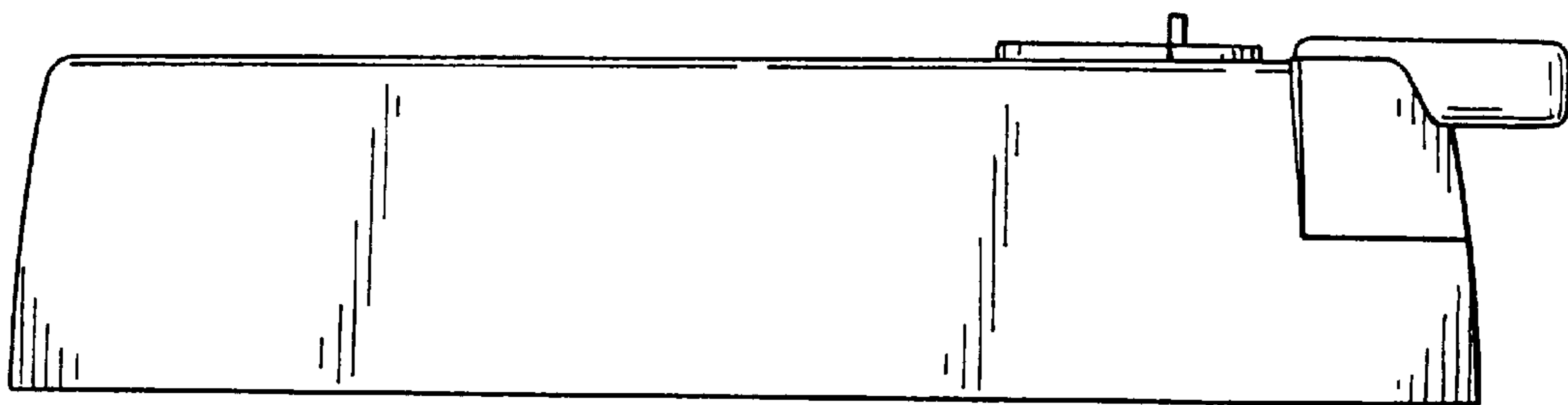


Fig. 8