

US00D505441S

(12) **United States Design Patent**
Junsi et al.

(10) **Patent No.:** **US D505,441 S**

(45) **Date of Patent:** **** May 24, 2005**

(54) **PROJECTOR**

(75) Inventors: **Lee Junsi**, Tokyo (JP); **Susumu Ogawa**, Tokyo (JP); **Shigeo Inoue**, Tokyo (JP); **Masayuki Ageishi**, Tokyo (JP); **Naoto Fukasawa**, Tokyo (JP)

(73) Assignee: **NEC Viewtechnology, Ltd.**, Tokyo (JP)

(**) Term: **14 Years**

(21) Appl. No.: **29/206,070**

(22) Filed: **May 26, 2004**

(30) **Foreign Application Priority Data**

Nov. 28, 2003 (JP) 2003-035576

(51) **LOC (7) Cl.** **16-02**

(52) **U.S. Cl.** **D16/235; D16/230**

(58) **Field of Search** D16/205, 208,
D16/221, 225, 229, 230, 231, 234, 235;
D21/514; 353/115, 119, 122

(56) **References Cited**

U.S. PATENT DOCUMENTS

D449,060 S * 10/2001 Saeki et al. D16/230

D470,525 S * 2/2003 Nakayama et al. D16/231
D475,389 S * 6/2003 Kurokawa D16/230
6,616,282 B2 * 9/2003 Ozawa 353/119
D498,490 S * 11/2004 Kawasaki et al. D16/231
D498,491 S * 11/2004 Ohki et al. D16/235

* cited by examiner

Primary Examiner—Adir Aronovich

(74) *Attorney, Agent, or Firm*—Sughrue Mion, PLLC

(57) **CLAIM**

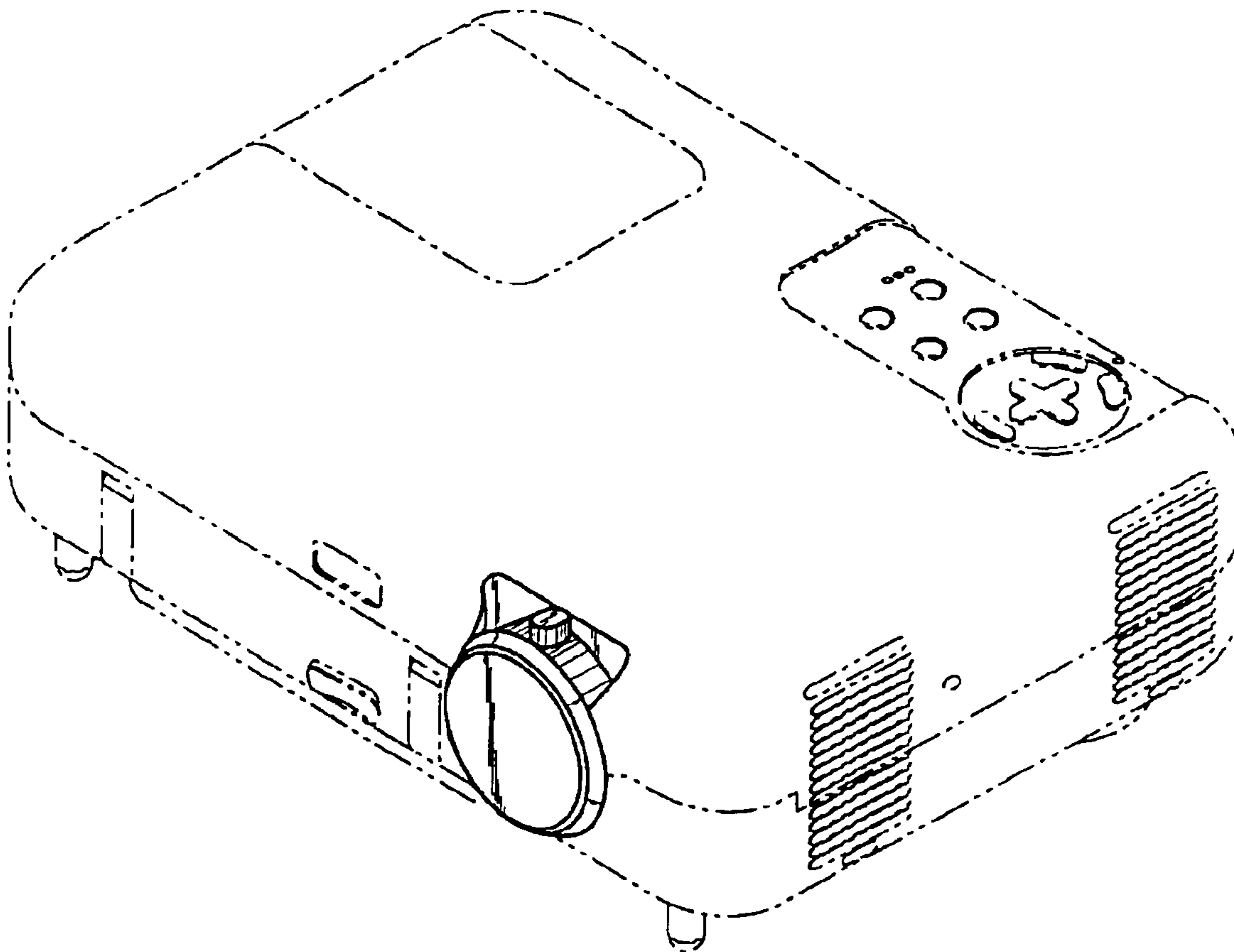
The ornamental design for a projector, as shown and described.

DESCRIPTION

FIG. 1 is a perspective view of the top, front and right side of a projector showing our new design; FIG. 2 is a front elevational view thereof; FIG. 3 is a rear elevational view thereof; FIG. 4 is a left side elevational view thereof; FIG. 5 is a right side elevational view thereof; FIG. 6 is a top plan view thereof; and, FIG. 7 is a bottom plan view thereof.

The elements shown in broken lines are for illustrative purposes only and form no part of the claimed design.

1 Claim, 4 Drawing Sheets



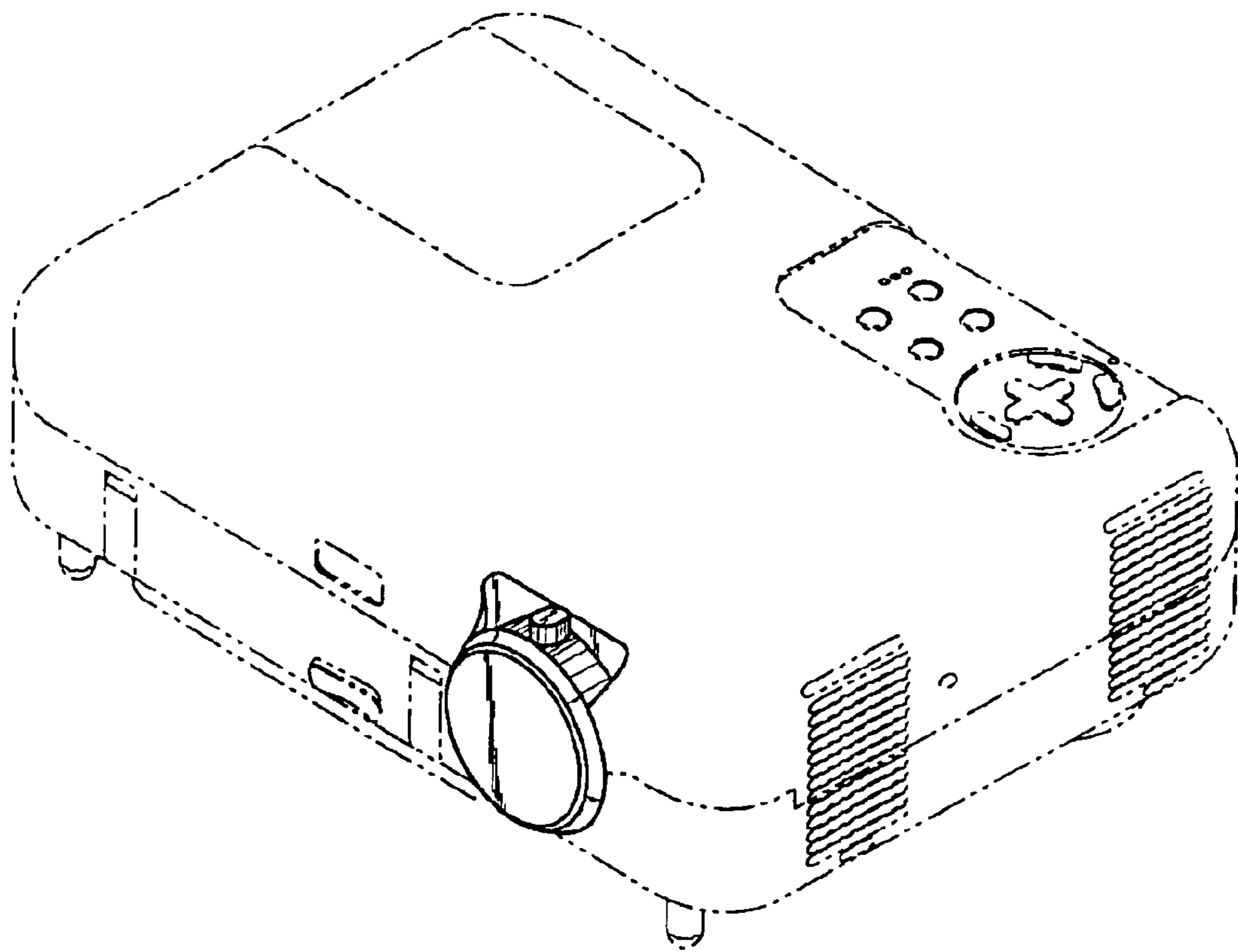


Fig. 1

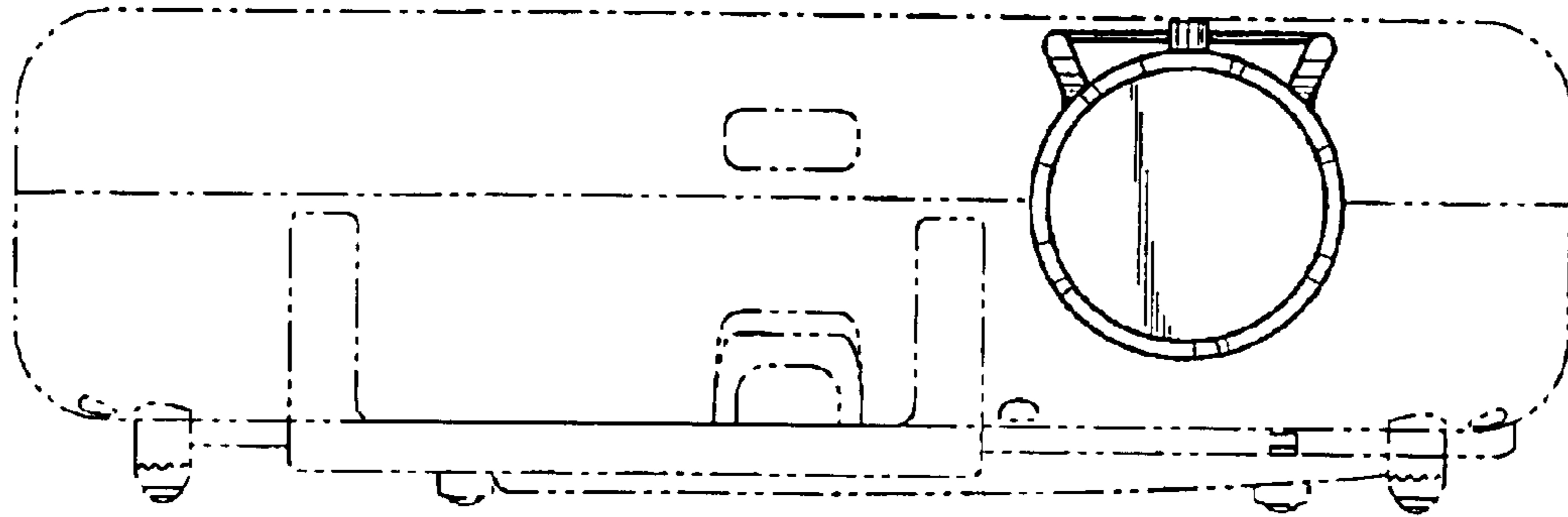


Fig. 2

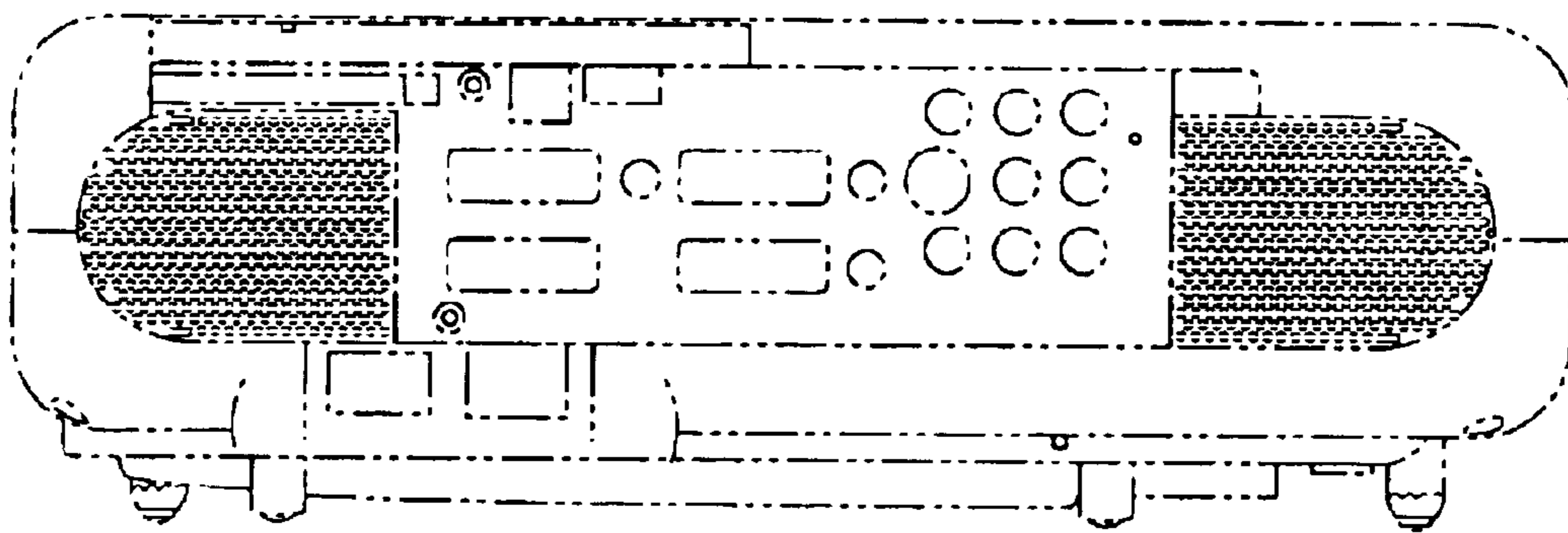


Fig. 3

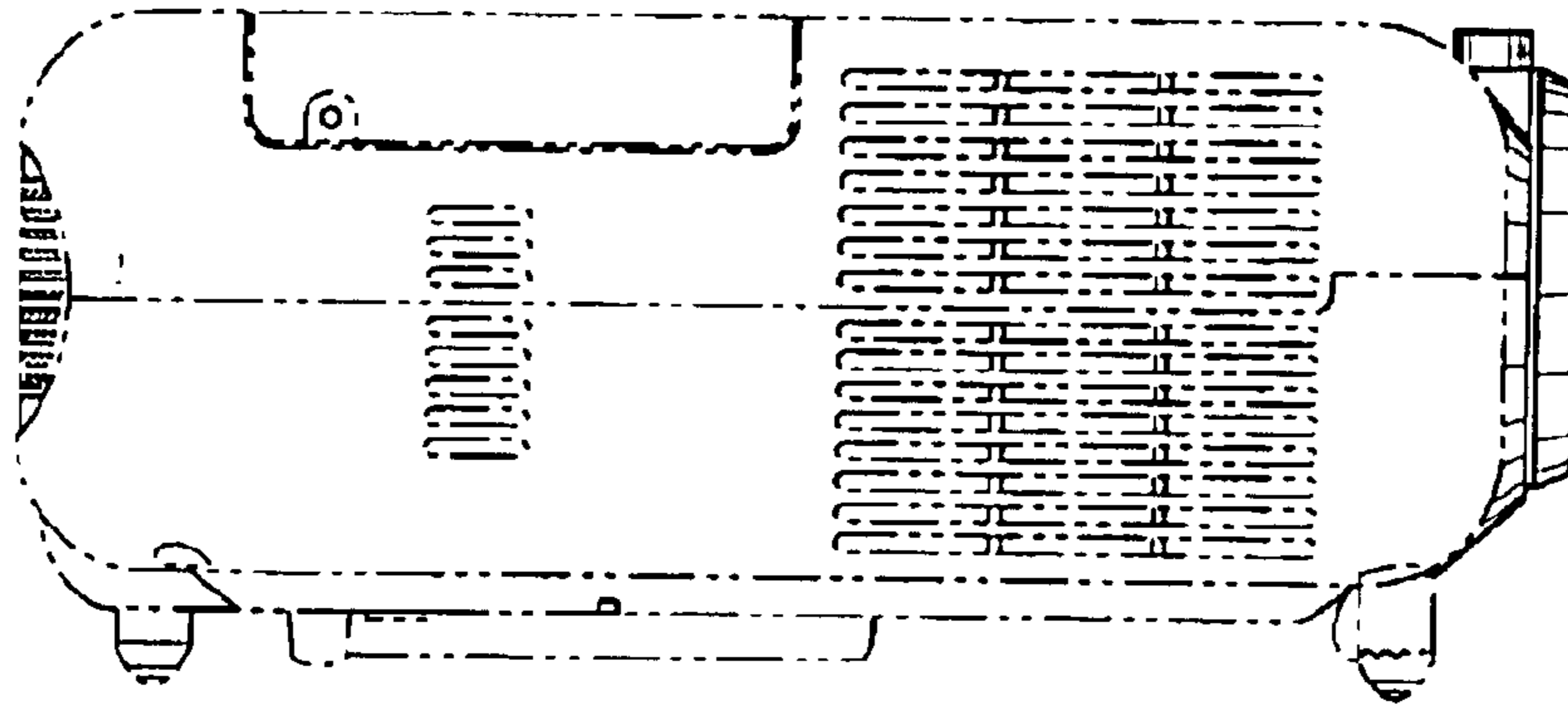


Fig. 4

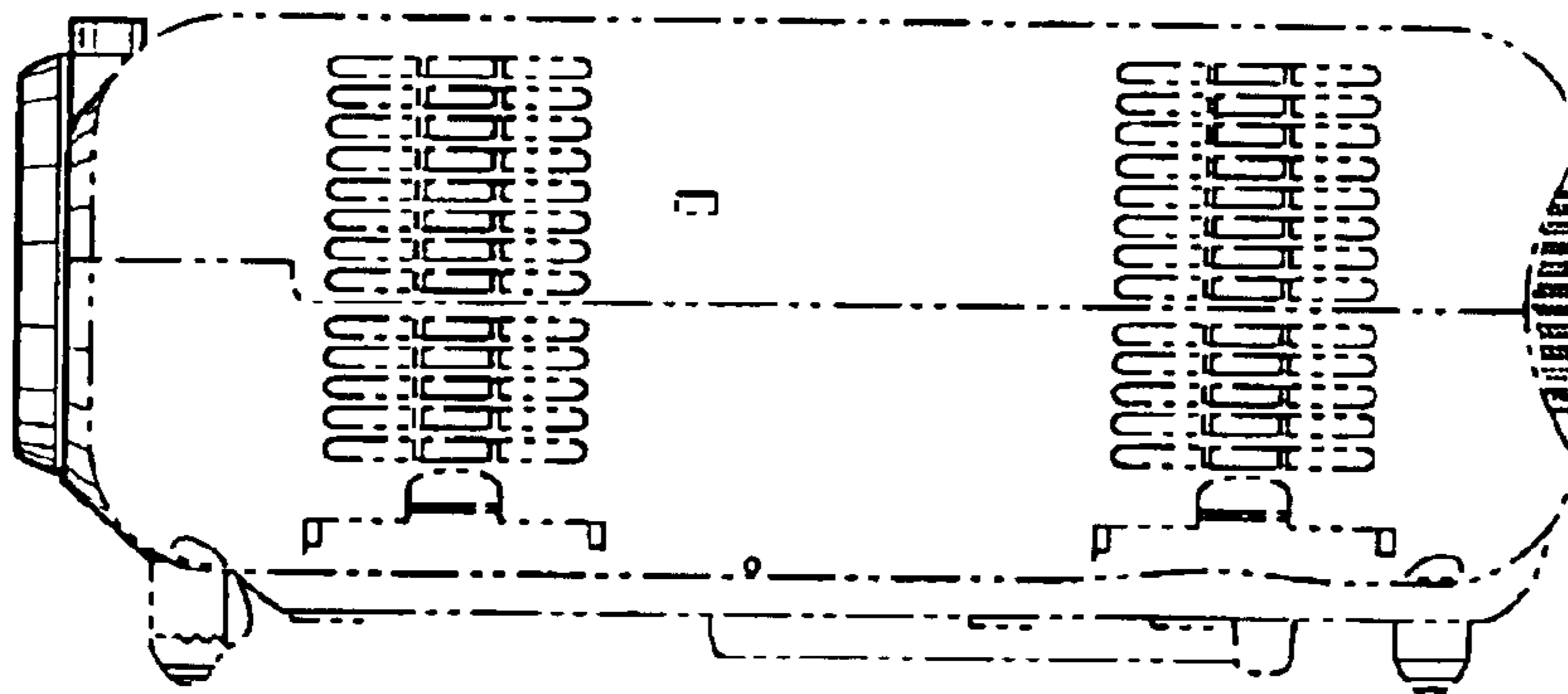


Fig. 5

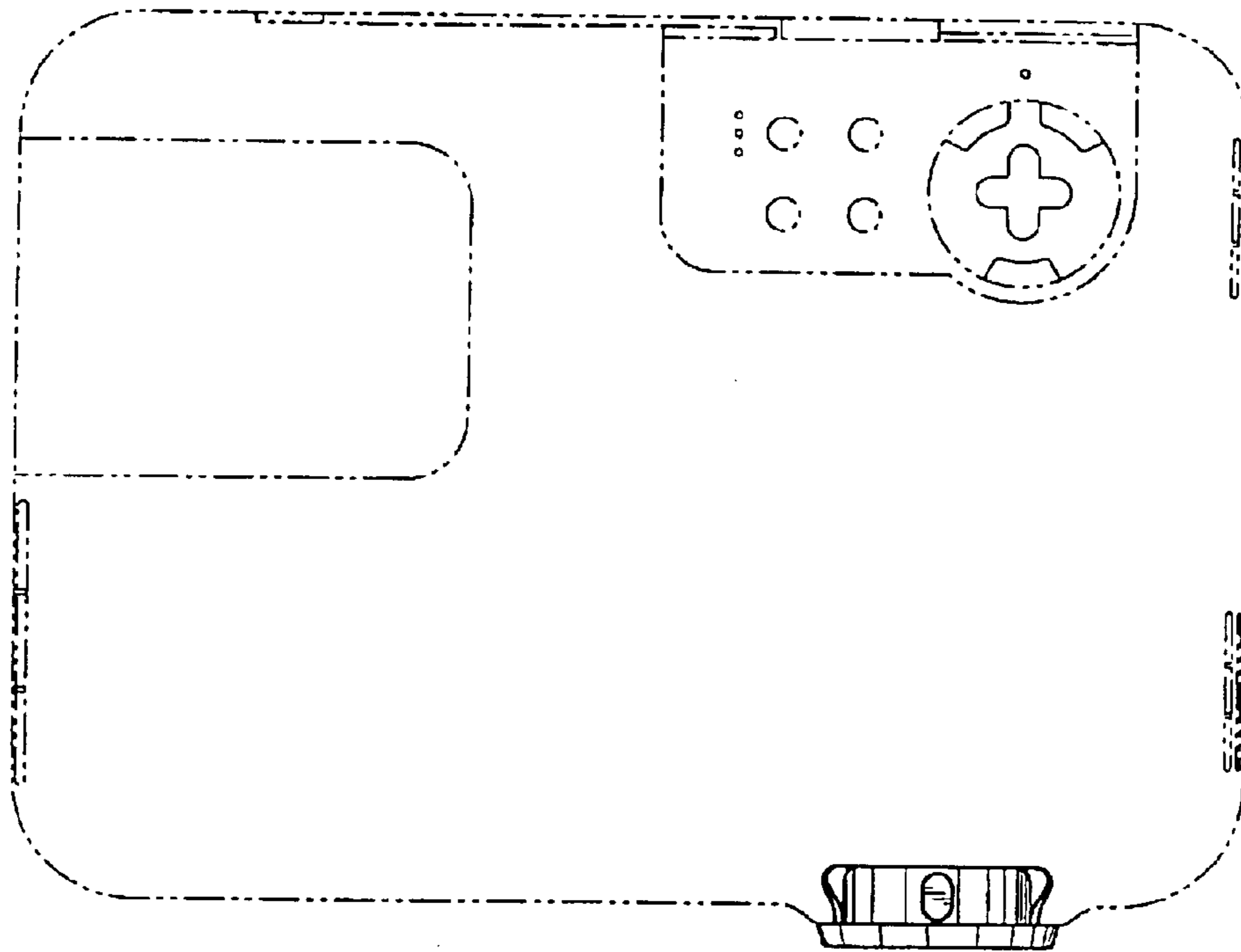


Fig. 6

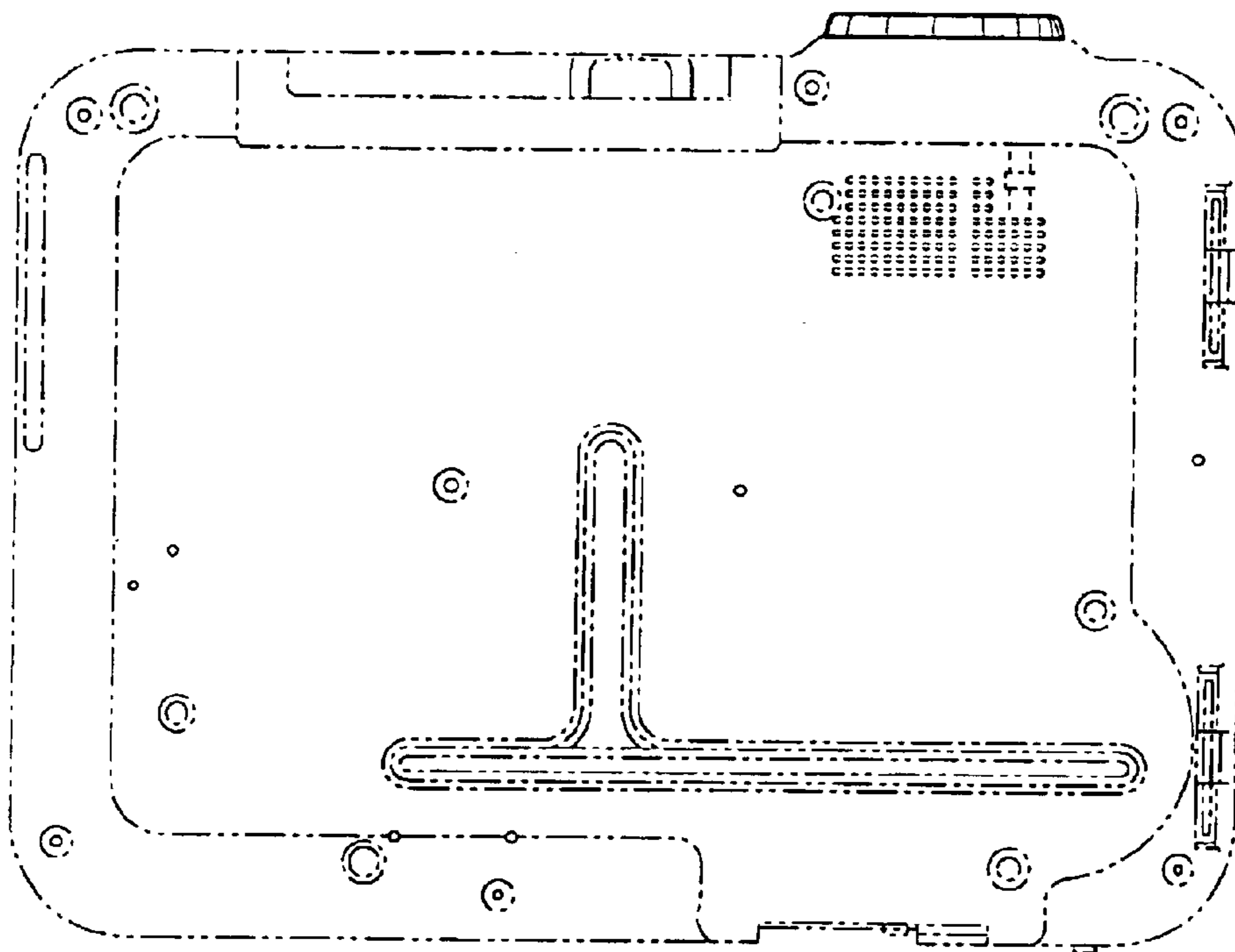


Fig. 7