

US00D505435S

(12) **United States Design Patent**
Charland et al.

(10) **Patent No.:** **US D505,435 S**

(45) **Date of Patent:** **** May 24, 2005**

(54) **CROWN BIT**

Primary Examiner—Antoine D. Davis

(76) Inventors: **Luc Charland**, 1553, O'Reilly St.,
Sherbrooke, Quebec (CA), J1J 1C2;
Roger Charland, 1553, O'Reilly St.,
Sherbrooke, Quebec (CA), J1J 1C2

(57) **CLAIM**

The ornamental design for a crown bit, as shown and described.

(**) Term: **14 Years**

DESCRIPTION

(21) Appl. No.: **29/183,430**

FIG. 1 is a perspective view of a crown bit according to the present design;

(22) Filed: **Jun. 12, 2003**

FIG. 2 is a perspective view of a crown bit according to an alternative embodiment of the present design;

(51) **LOC (7) Cl.** **15-09**

(52) **U.S. Cl.** **D15/139**

(58) **Field of Search** D15/139; 175/57,
175/257-259, 266, 292, 296, 300, 385,
413-415, 405.1, 330; 51/309

FIG. 3 is a top plan view of the crown bits of FIGS. 1 and 2;

FIG. 4 is a bottom plan view of the crown bits of FIGS. 1 and 2;

(56) **References Cited**

U.S. PATENT DOCUMENTS

4,128,136	A	*	12/1978	Generoux	175/405.1
4,211,294	A	*	7/1980	Multakh	175/405.1
4,681,174	A	*	7/1987	Aubakirov et al.	175/405.1
5,322,139	A	*	6/1994	Rose et al.	175/414
6,702,650	B2	*	3/2004	Adefris	451/41

FIG. 5 is a right side elevation view of the crown bits of FIGS. 1 and 2; and

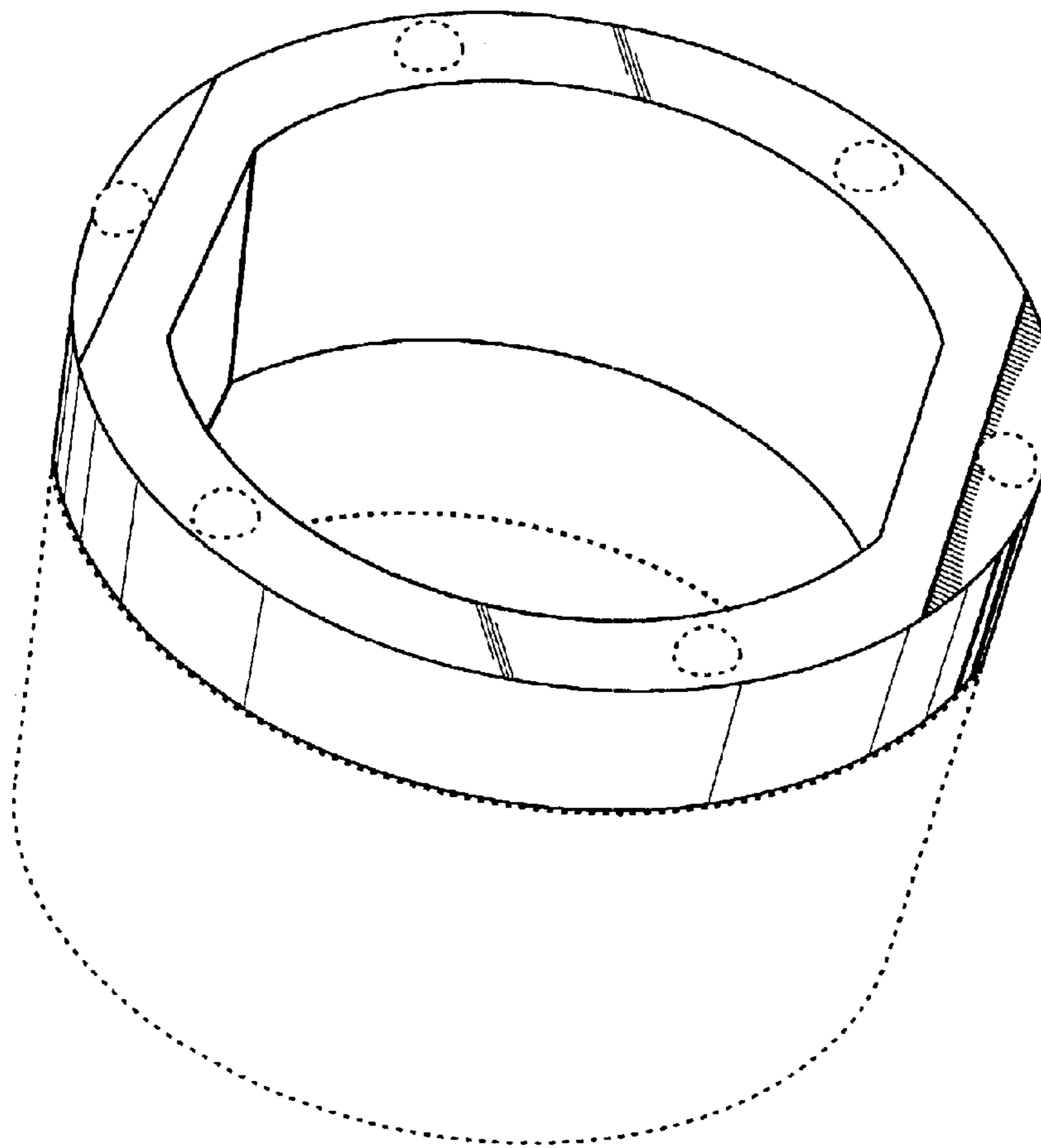
FIG. 6 is a front side elevation view of the crown bits of FIGS. 1 and 2; and,

FIG. 7 is a perspective view of the crown bits of FIGS. 1 and 2 and a drill bit, wherein the broken lines illustrate components that form no part of the design.

The broken lines in the figures are for illustrative purposes only and form no part of the claimed design.

* cited by examiner

1 Claim, 7 Drawing Sheets



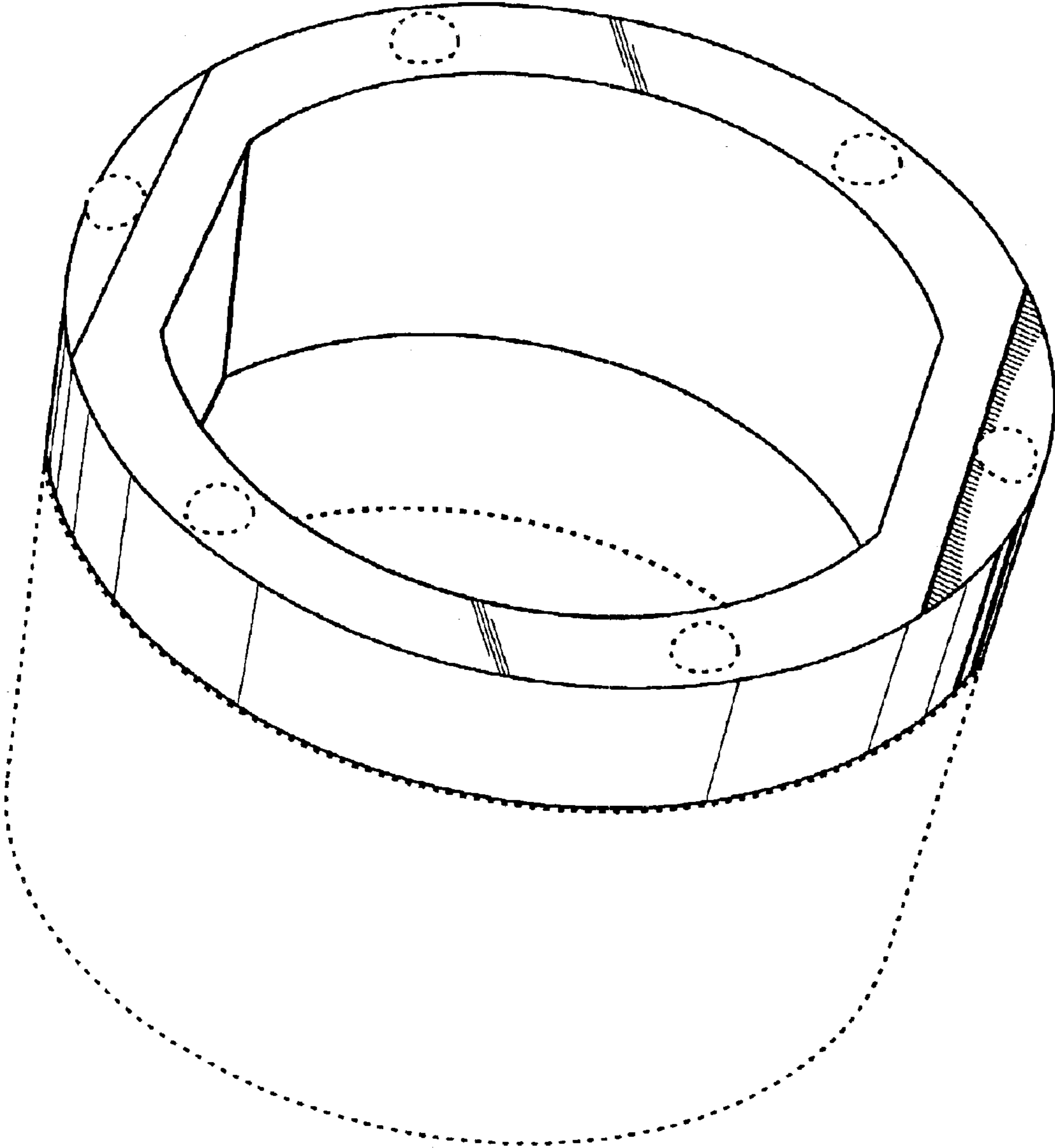


FIG. 1

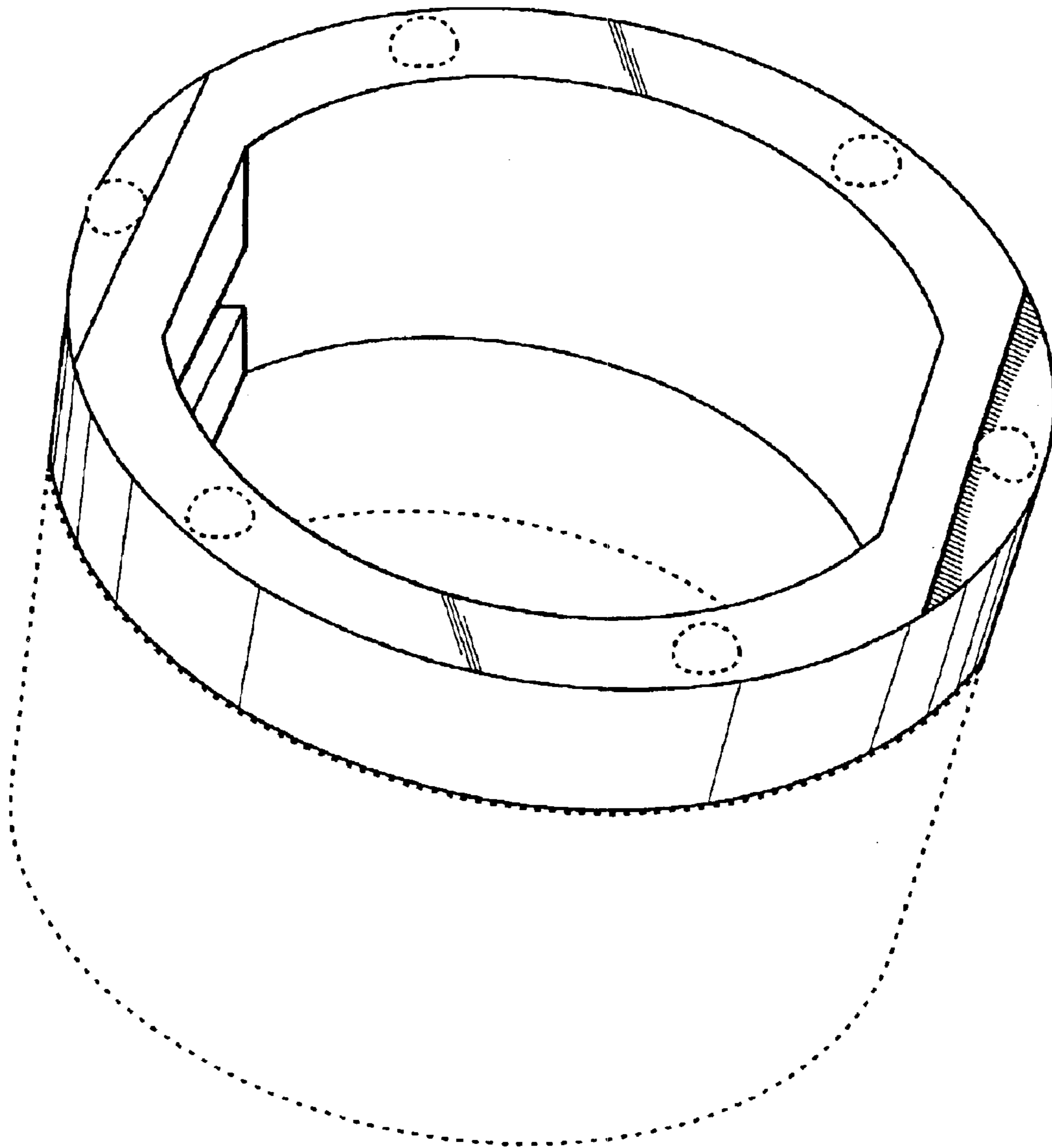


FIG. 2

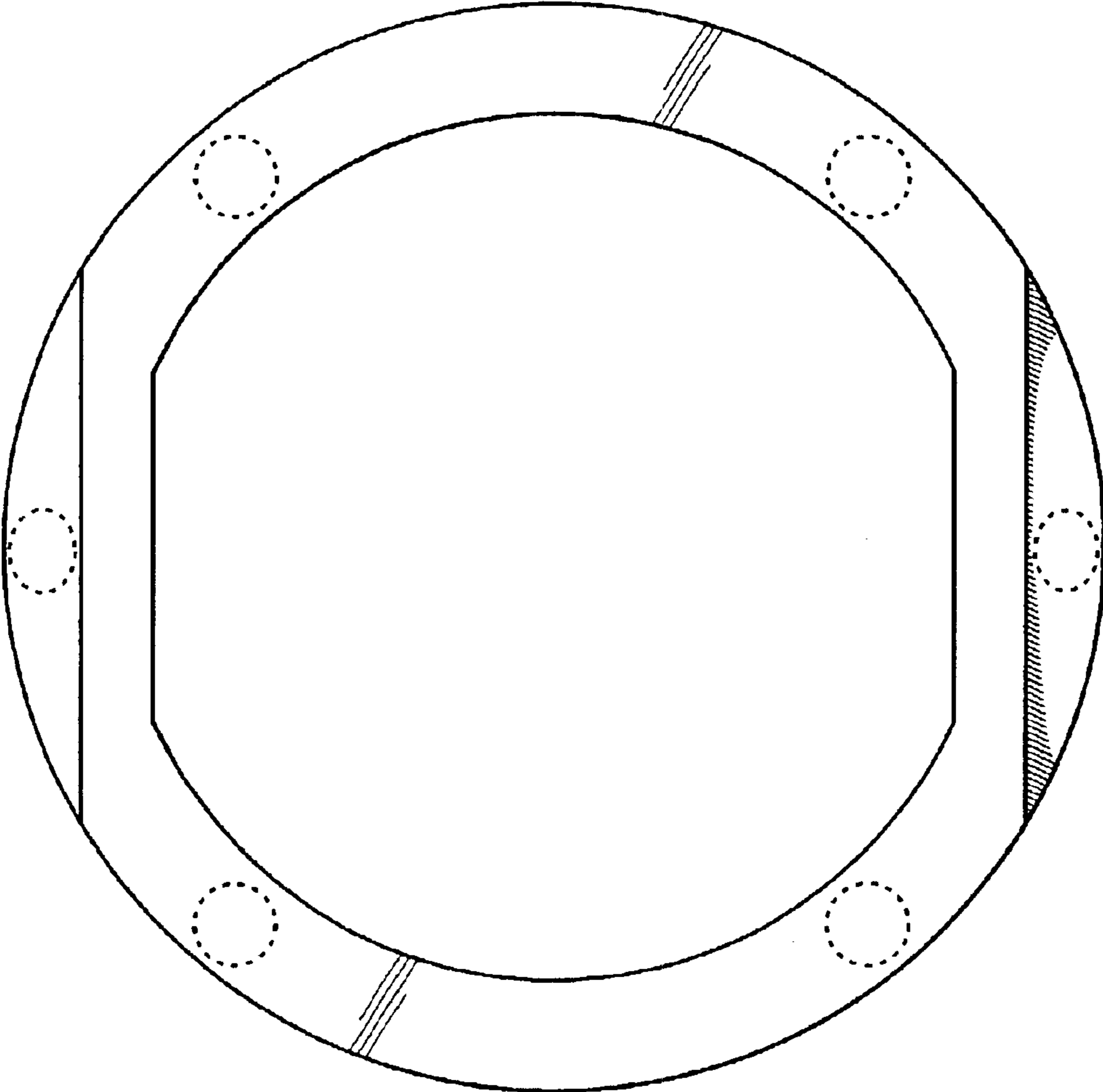


FIG. 3

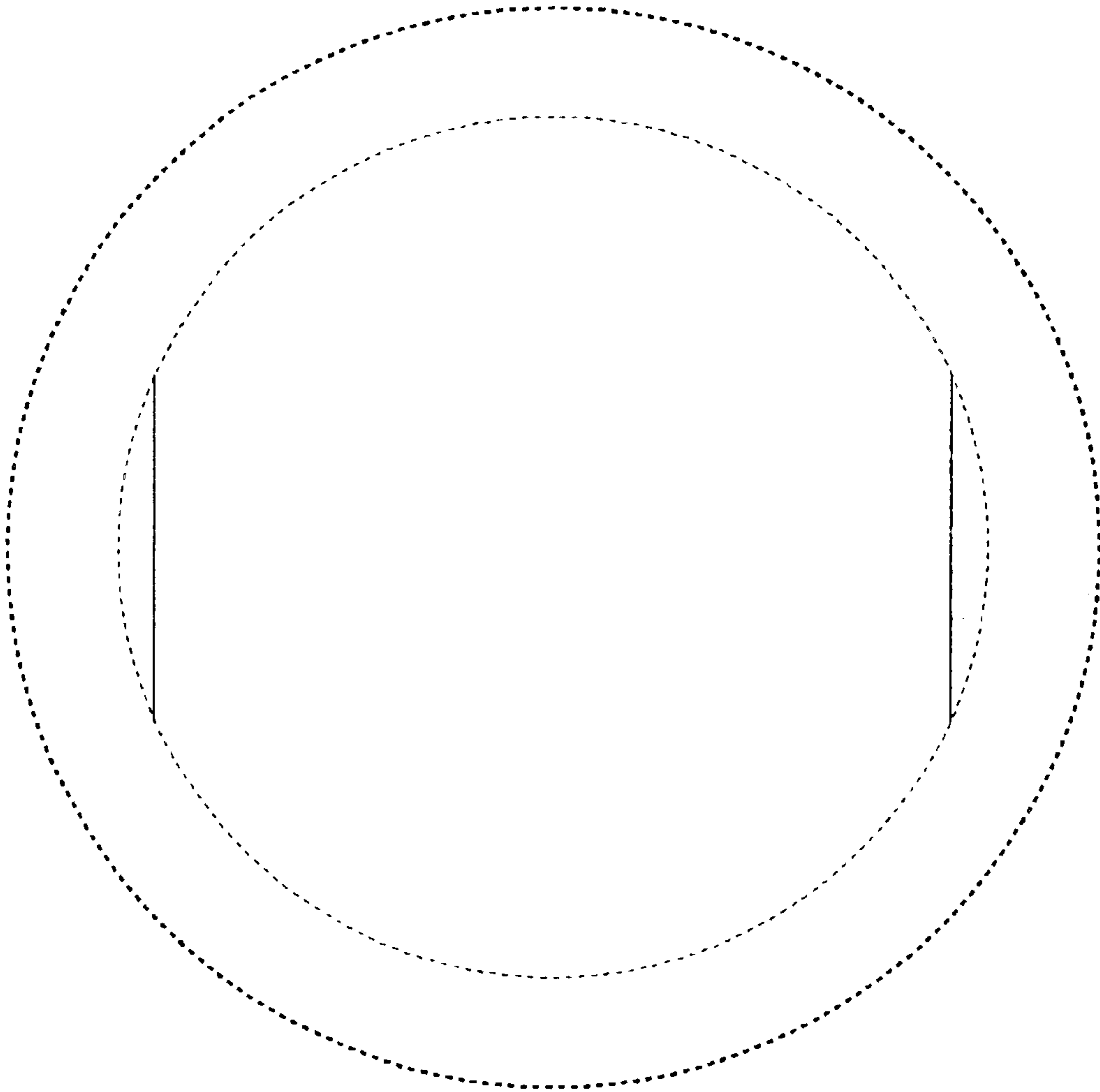


FIG. 4

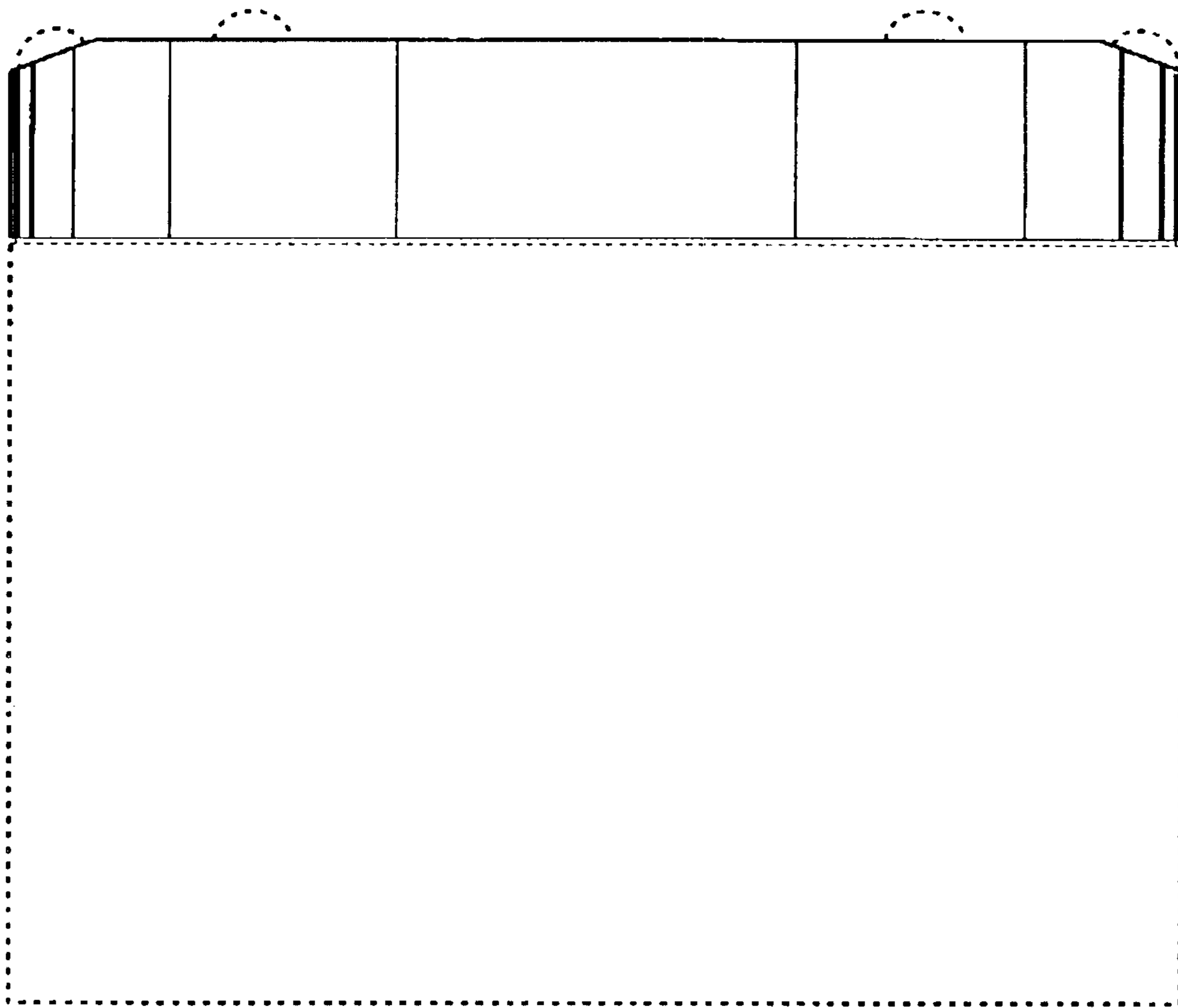


FIG. 5

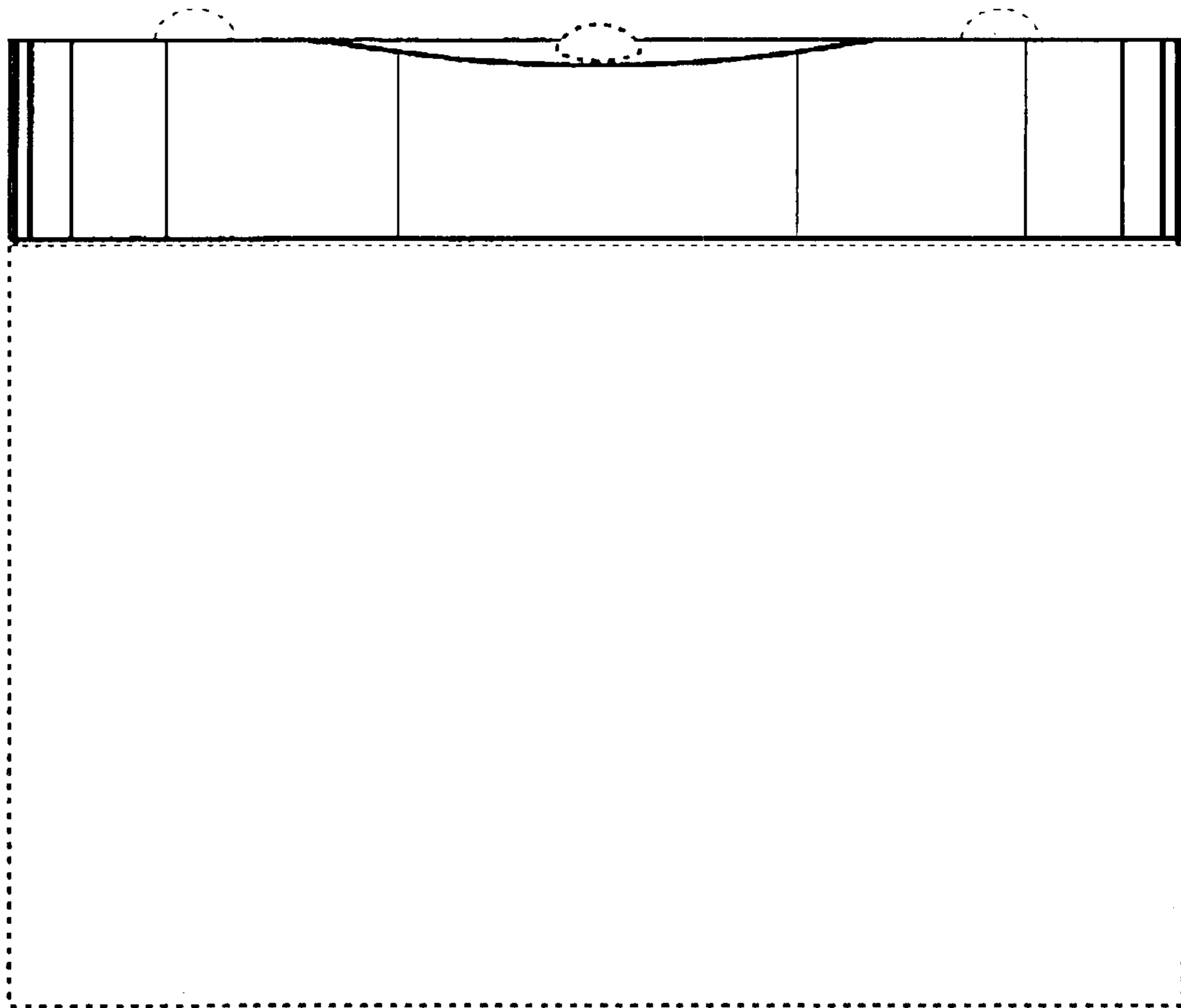


FIG. 6

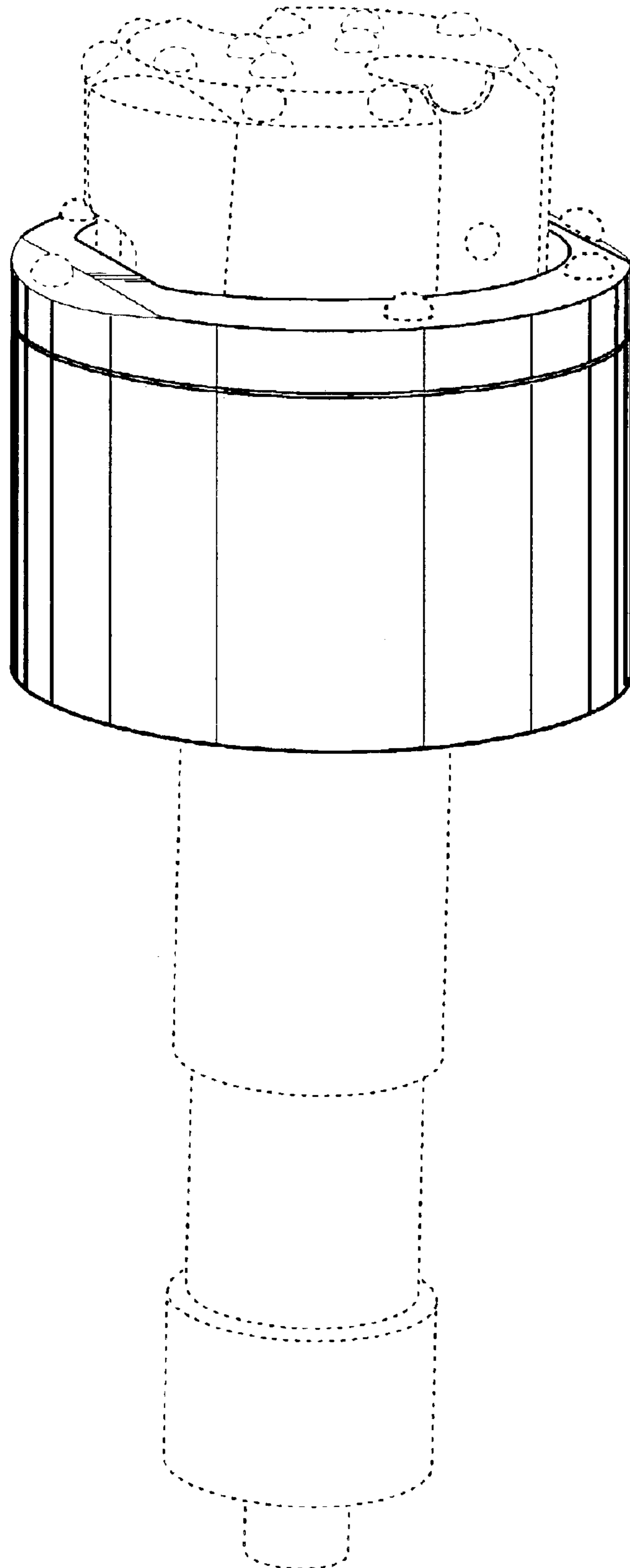


FIG. 7