

US00D505434S

(12) **United States Design Patent**
Bordignon

(10) **Patent No.:** **US D505,434 S**

(45) **Date of Patent:** **** May 24, 2005**

(54) **MOLD FORM**

(75) **Inventor:** **Riccardo Bordignon, Cassola (IT)**

(73) **Assignee:** **Tecnoplast Srl, Vicenza (IT)**

(**) **Term:** **14 Years**

(21) **Appl. No.:** **29/193,129**

(22) **Filed:** **Nov. 5, 2003**

(51) **LOC (7) Cl.** **15-09**

(52) **U.S. Cl.** **D15/136**

(58) **Field of Search** **D15/135-137;**
249/118-134, 160, 175, 203; 264/299; 425/117,
515

(56) **References Cited**

U.S. PATENT DOCUMENTS

1,494,237	A	*	5/1924	Haddad	249/165
1,705,328	A	*	3/1929	Griffith	249/120
D97,216	S	*	10/1935	Vernin	D15/135
3,662,693	A	*	5/1972	Dana	425/117

D281,505	S	*	11/1985	Larsen et al.	D15/136
6,209,849	B1	*	4/2001	Dickmeyer	249/120
6,231,910	B1	*	5/2001	Ellingsworth	249/119

* cited by examiner

Primary Examiner—Antoine D. Davis

(74) *Attorney, Agent, or Firm*—Dykema Gossett PLLC

(57) **CLAIM**

The ornamental design for a mold form, as shown and described.

DESCRIPTION

FIG. 1 is a top plan view of a mold form according to the invention.

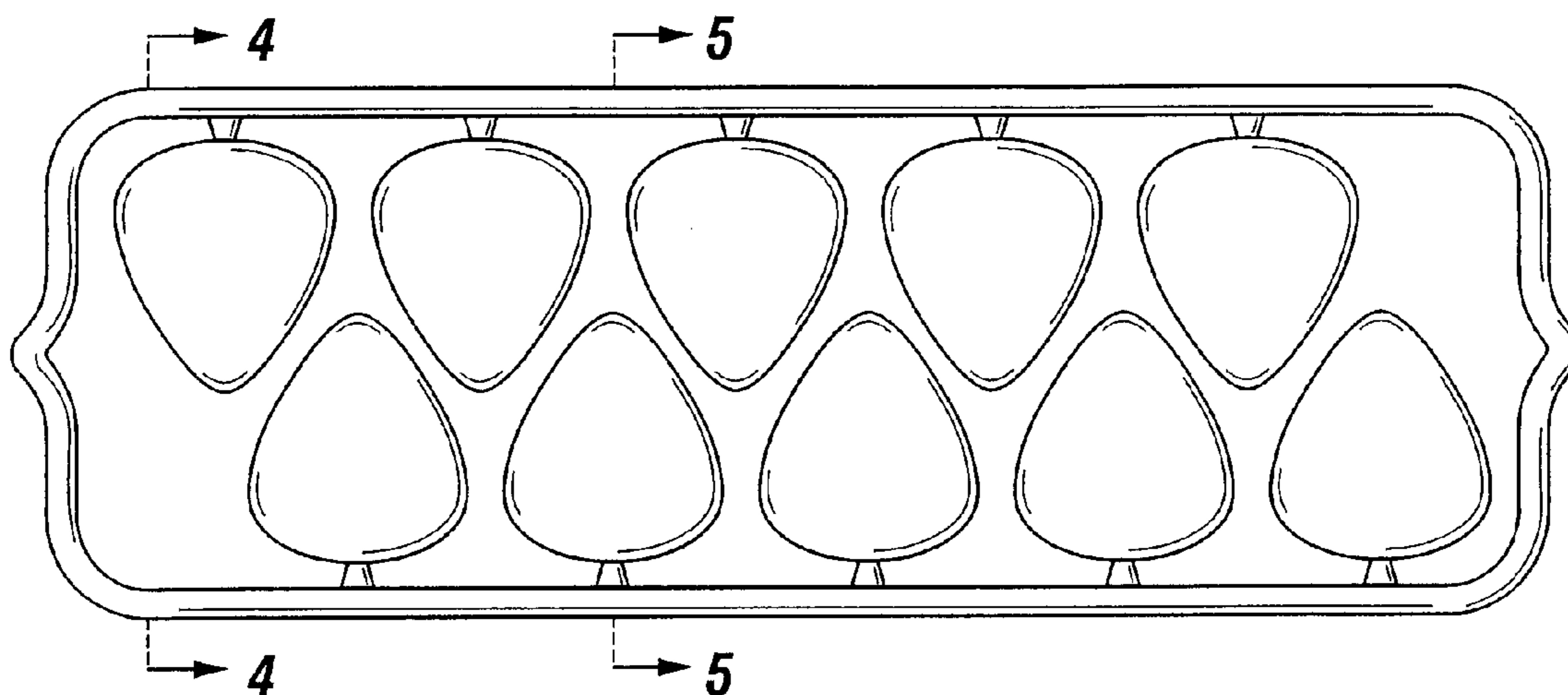
FIG. 2 is an end view taken from the left of FIG. 1, the opposite end is identical.

FIG. 3 is a side view taken from the left in FIG. 1, the opposite side is identical.

FIG. 4 is a sectional view taken along line 3—3 of FIG. 1; and,

FIG. 5 is a sectional view taken along line 5—5 of FIG. 1.

1 Claim, 1 Drawing Sheet



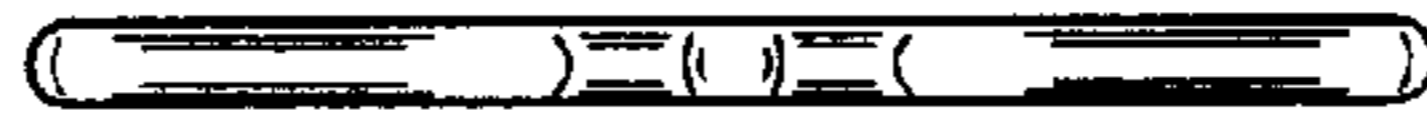
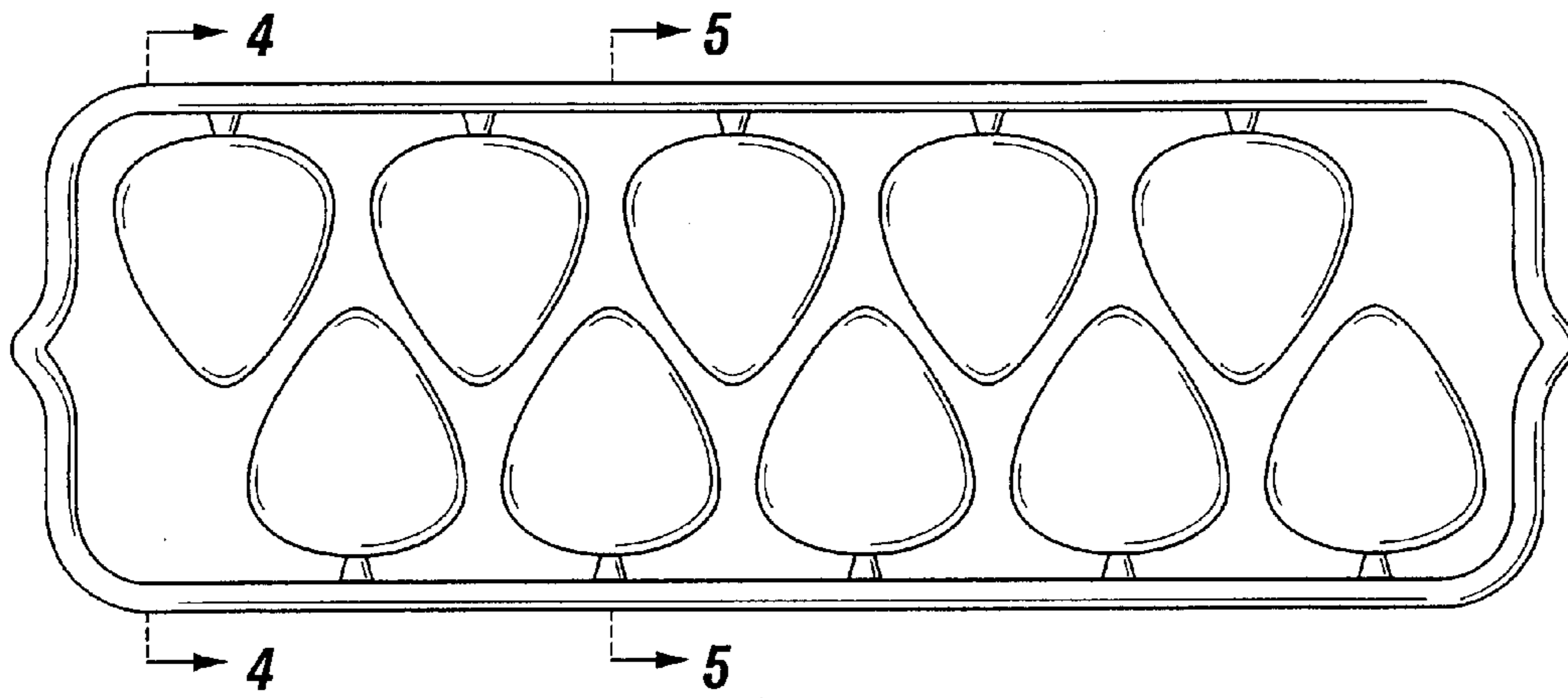


FIG. 2

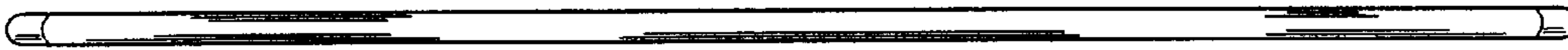


FIG. 3



FIG. 4



FIG. 5

UNITED STATES PATENT AND TRADEMARK OFFICE
CERTIFICATE OF CORRECTION

PATENT NO. : Des. 505,434 S
APPLICATION NO. : 29/193129
DATED : May 24, 2005
INVENTOR(S) : Riccardo Bordignon

Page 1 of 1

It is certified that error appears in the above-identified patent and that said Letters Patent is hereby corrected as shown below:

Title Page Please delete Item (73) and Insert (73) Tecnoplast Srl, Romano D'Ezzelino (VI) - Italy

Signed and Sealed this

Fifteenth Day of April, 2008

A handwritten signature in black ink that reads "Jon W. Dudas". The signature is written in a cursive style with a large, looped initial "J".

JON W. DUDAS

Director of the United States Patent and Trademark Office