

US00D505433S

(12) **United States Design Patent**
Kuroki

(10) **Patent No.:** **US D505,433 S**

(45) **Date of Patent:** **** May 24, 2005**

(54) **SEWING MACHINE**

(75) **Inventor:** **Nobufusa Kuroki, Tokyo (JP)**

(73) **Assignee:** **Janome Sewing Machine Company Limited, Tokyo (JP)**

(**) **Term:** **14 Years**

(21) **Appl. No.:** **29/200,390**

(22) **Filed:** **Feb. 27, 2004**

(30) **Foreign Application Priority Data**

Aug. 29, 2003 (JP) 2003-025179

(51) **LOC (7) Cl.** **15-06**

(52) **U.S. Cl.** **D15/69**

(58) **Field of Search** D15/66, 69; 112/258-261,
112/63, 217.1-217.4, 444

(56) **References Cited**

U.S. PATENT DOCUMENTS

- D195,795 S * 7/1963 Rellis D12/333
- D195,797 S * 7/1963 Sixten D15/4
- D200,390 S * 2/1965 Staat et al. D23/238
- D200,391 S * 2/1965 Baratelli D16/316

- D289,298 S * 4/1987 Eguchi et al. D15/69
- D433,690 S * 11/2000 Kuroki D15/70
- D450,332 S * 11/2001 Kuroki et al. D15/69
- D450,719 S * 11/2001 Kuroki et al. D15/69
- D459,737 S * 7/2002 Kuroki D15/69

* cited by examiner

Primary Examiner—Mitchell Siegel

(74) *Attorney, Agent, or Firm*—Jacobson Holman PLLC

(57) **CLAIM**

The ornamental design for a sewing machine, as shown and described.

DESCRIPTION

FIG. 1 is a left front perspective view showing my new design for a sewing machine,
 FIG. 2 is a right front perspective view thereof;
 FIG. 3 is a top view thereof;
 FIG. 4 is a bottom view thereof;
 FIG. 5 is a front view thereof;
 FIG. 6 is a rear view thereof;
 FIG. 7 is a left side view thereof; and,
 FIG. 8 is a right side view thereof.

1 Claim, 4 Drawing Sheets

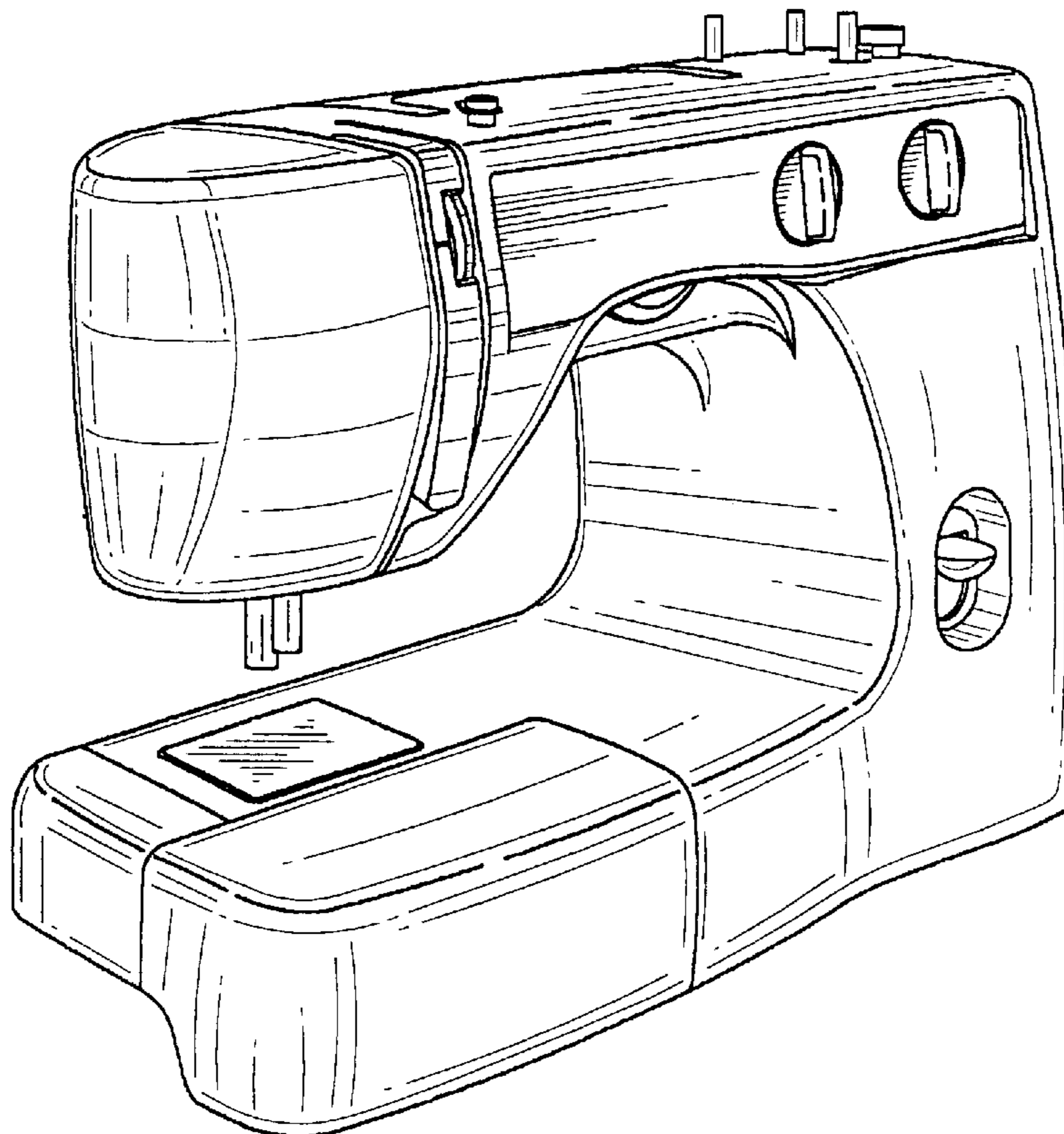


FIG. 1

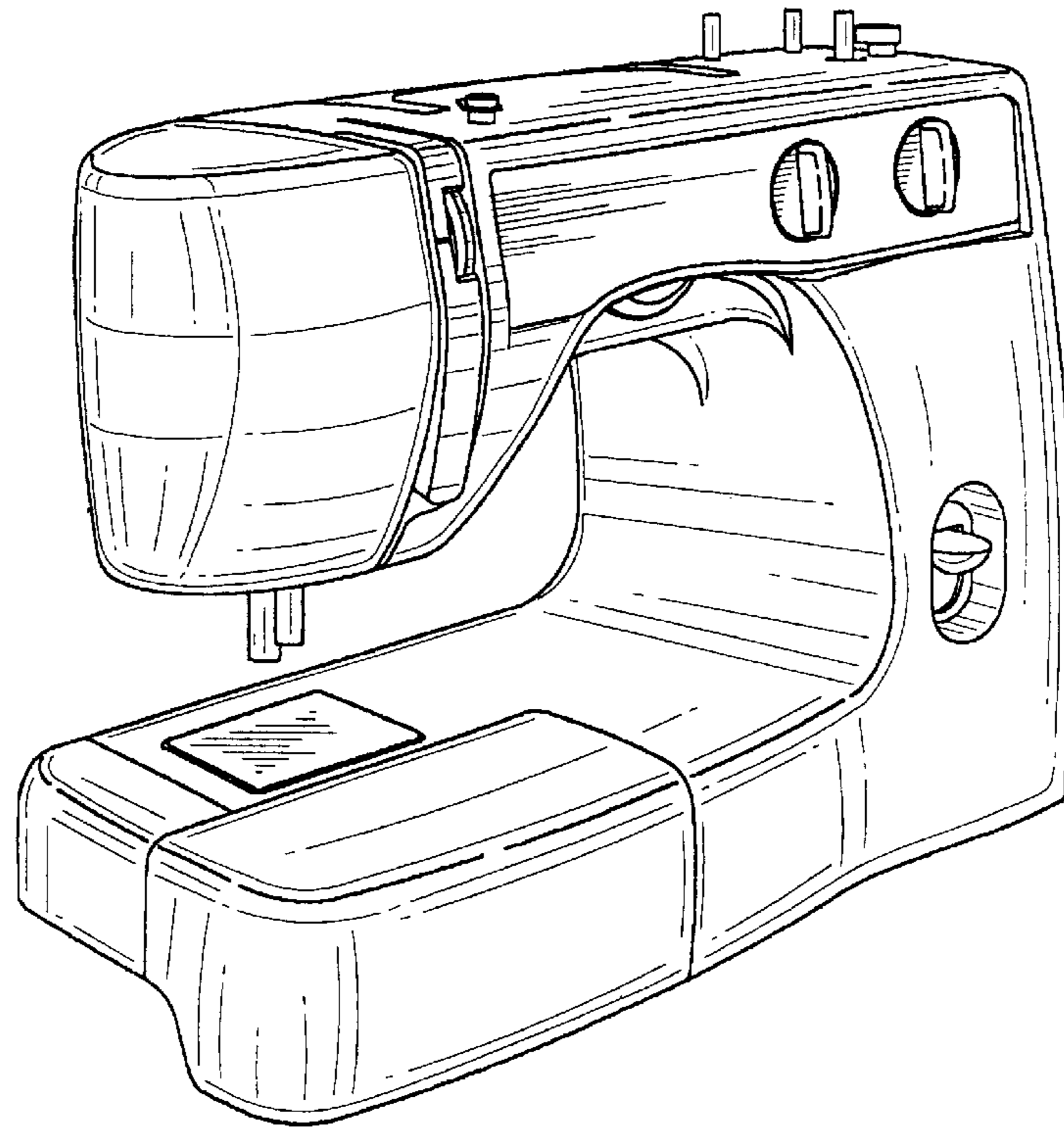


FIG. 2

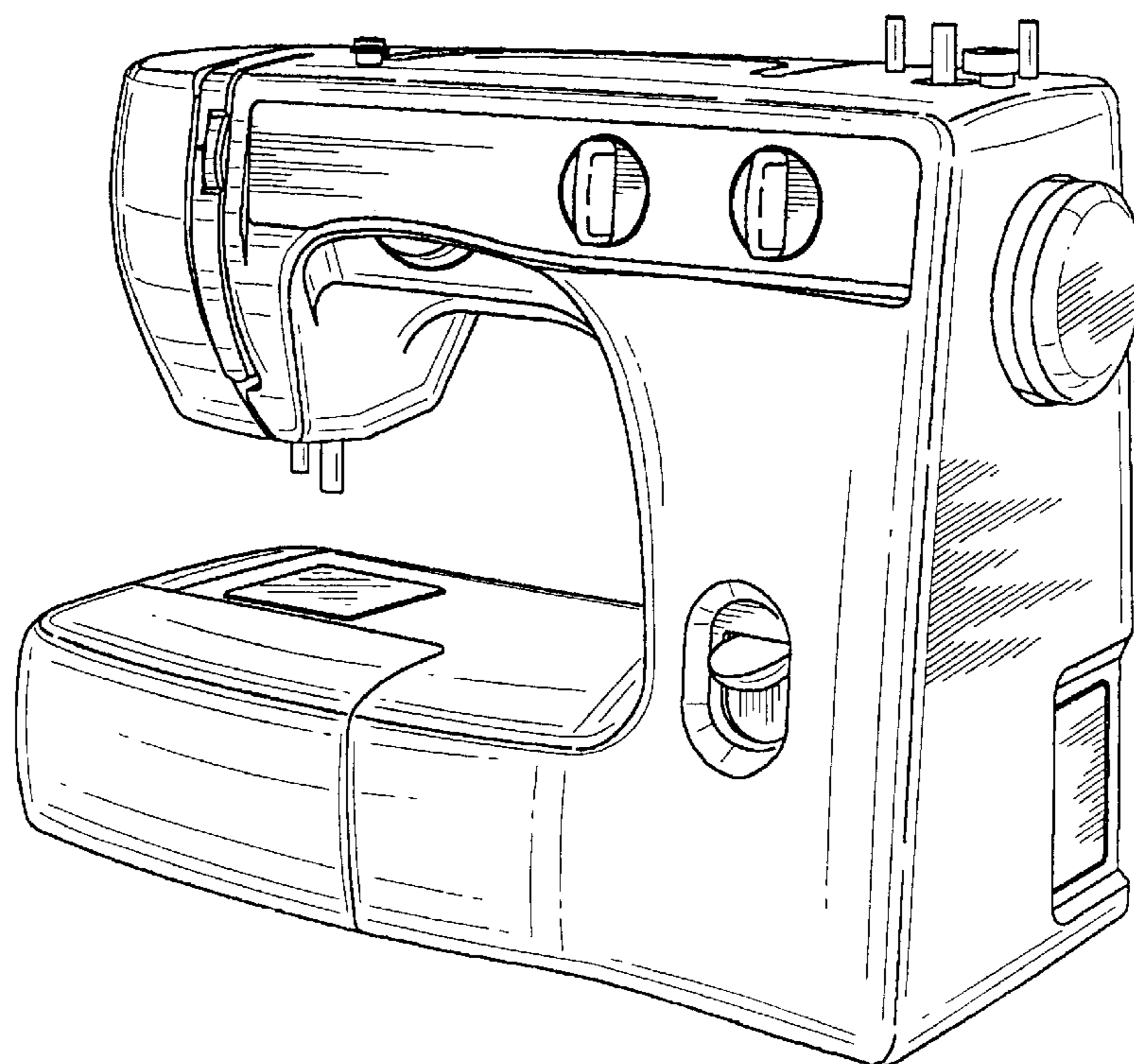


FIG. 3

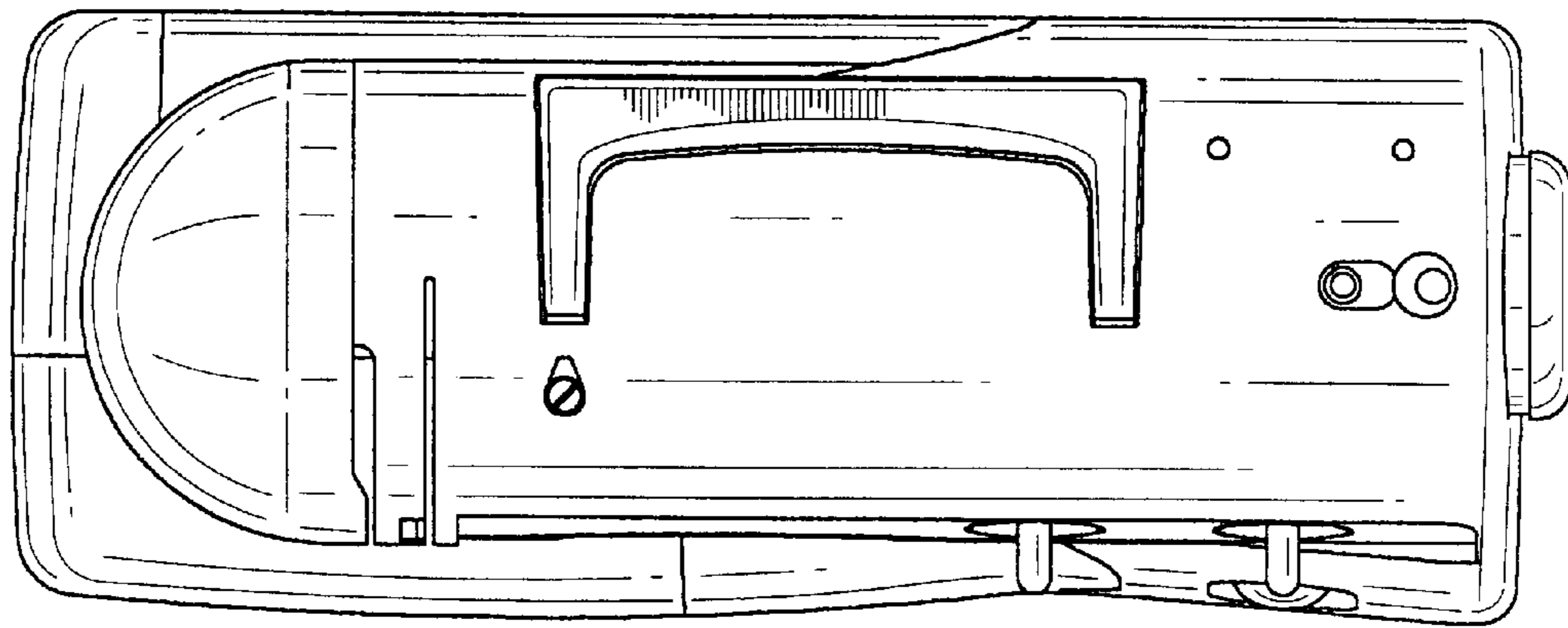


FIG. 4

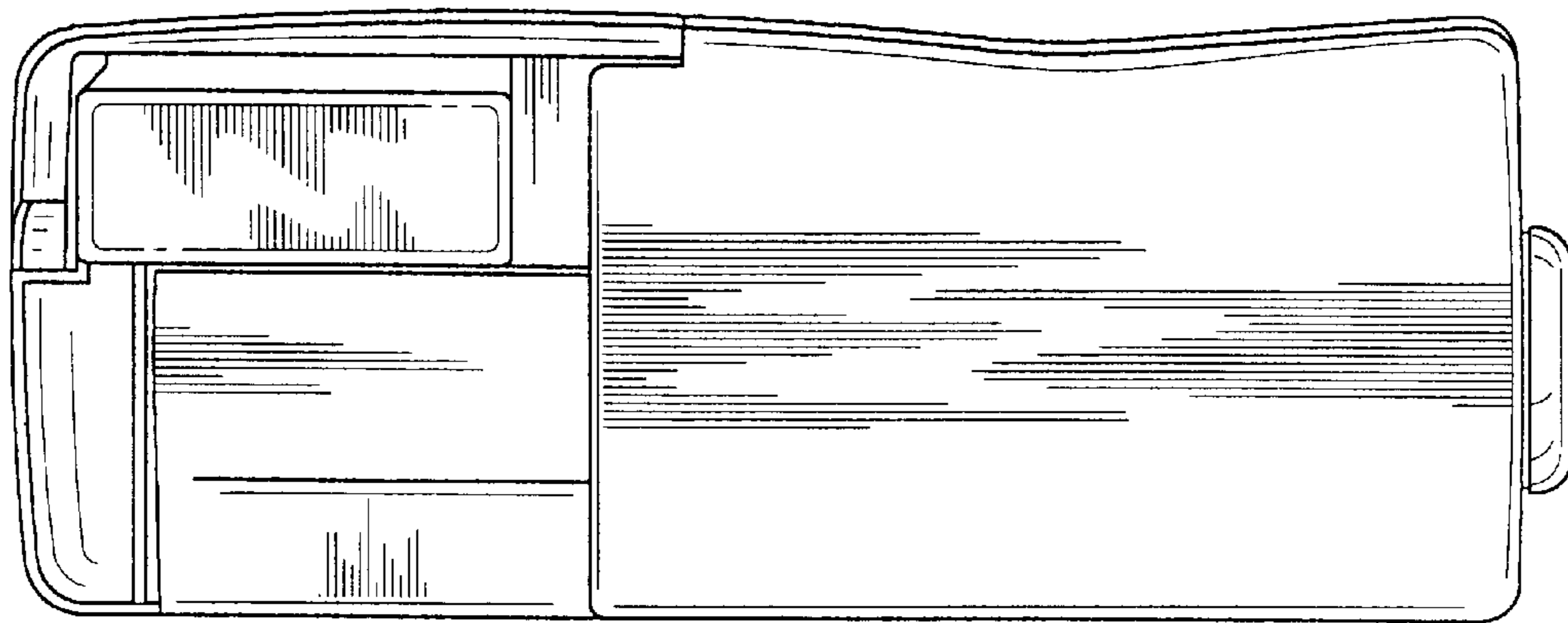


FIG. 5

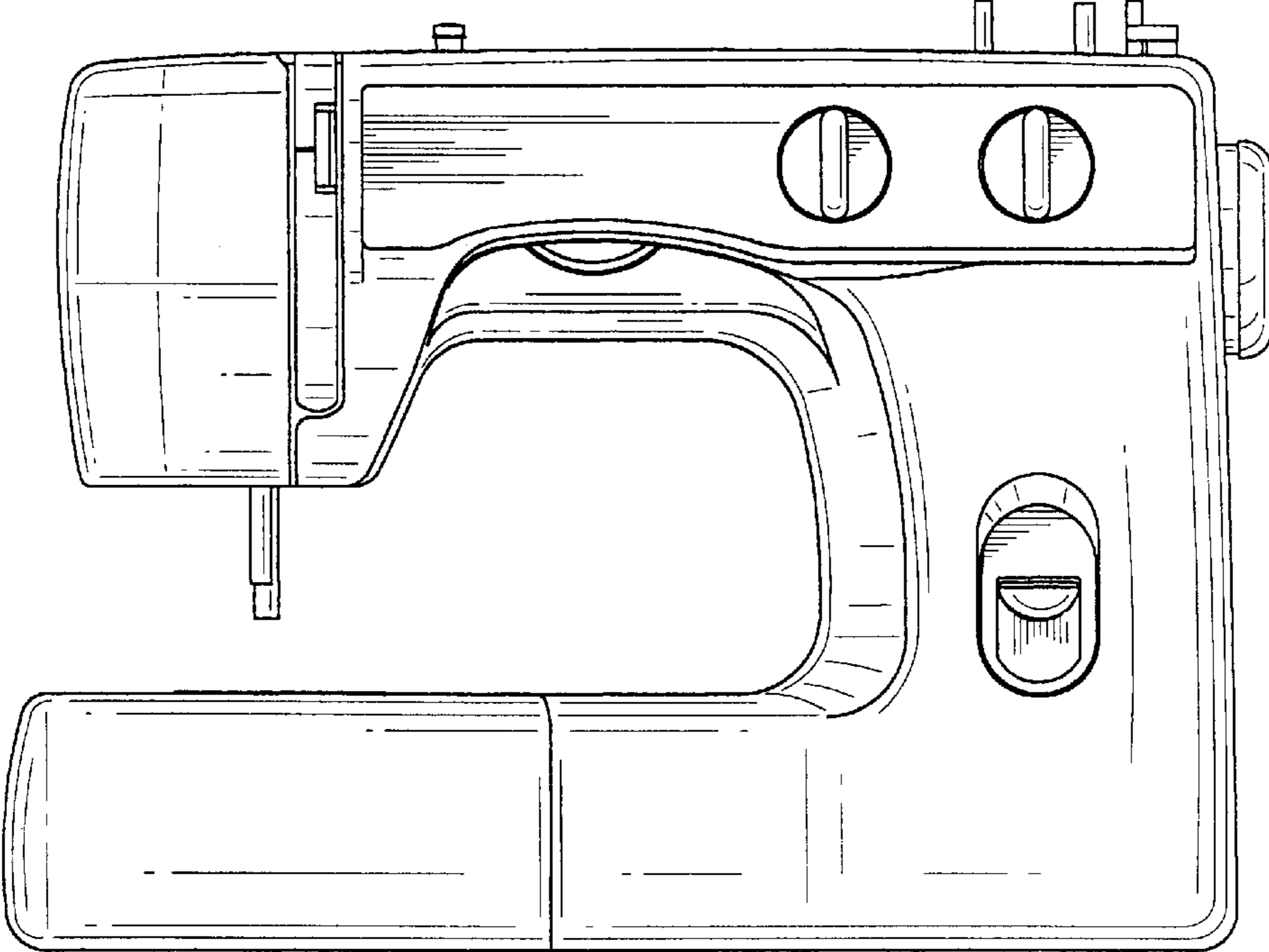


FIG. 6

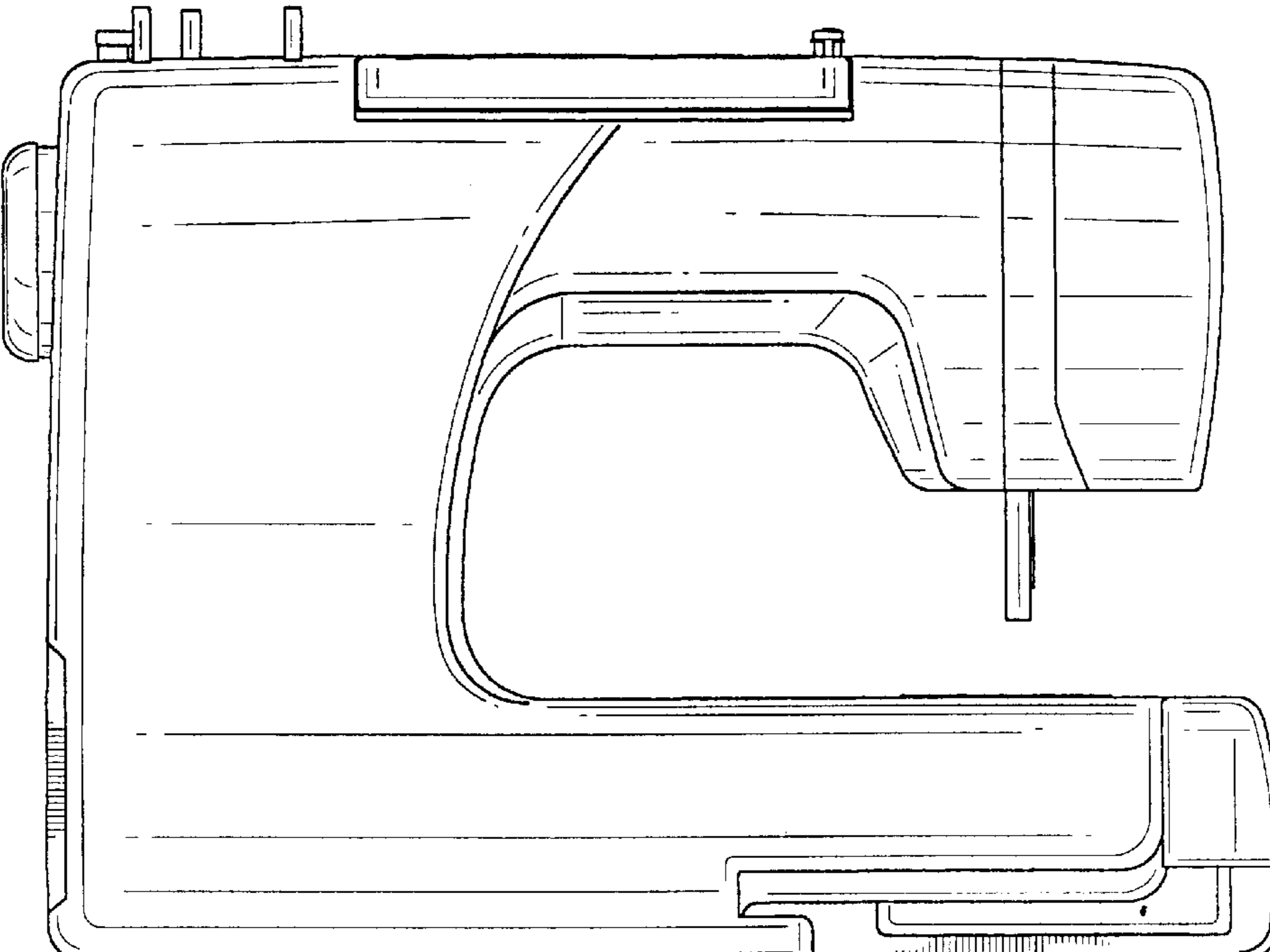


FIG. 7

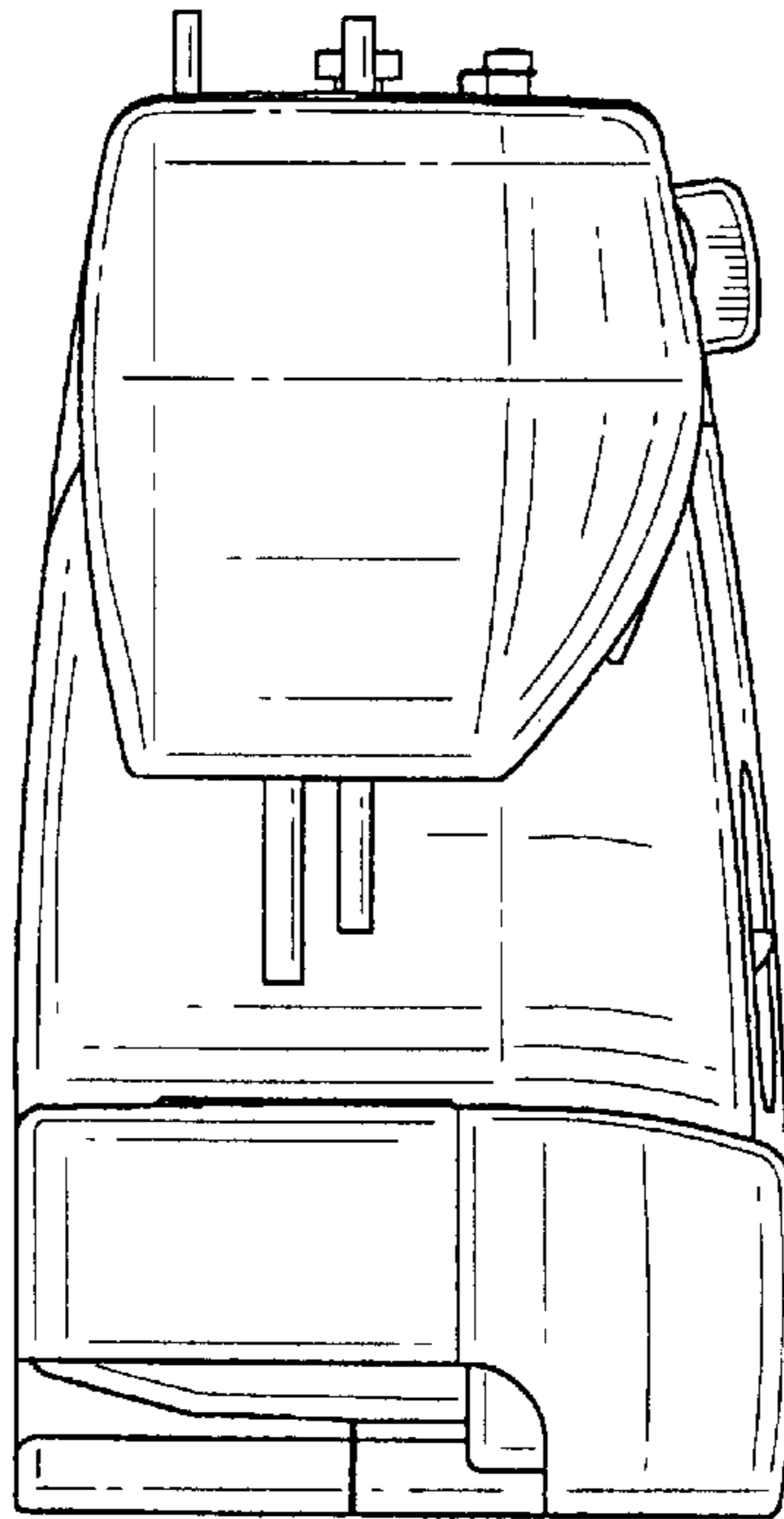


FIG. 8

