

US00D505430S

(12) **United States Design Patent**
Buck

(10) **Patent No.:** **US D505,430 S**

(45) **Date of Patent:** **** May 24, 2005**

(54) **AIR COMPRESSOR**

(75) **Inventor:** **John E. Buck**, Cockeysville, MD (US)

(73) **Assignee:** **Black & Decker Inc.**, Newark, DE (US)

(**) **Term:** **14 Years**

(21) **Appl. No.:** **29/185,115**

(22) **Filed:** **Jun. 20, 2003**

(51) **LOC (7) Cl.** **15-02**

(52) **U.S. Cl.** **D15/9**

(58) **Field of Search** D15/7-9; 417/321,
417/410, 413.1, 415, 423.3, 486, 521, 534;
415/148

D450,061 S * 11/2001 Graber et al. D15/9
6,375,437 B1 4/2002 Nolan
D460,763 S 7/2002 Buck
D461,196 S 8/2002 Buck
D471,918 S 3/2003 Buck
D471,919 S 3/2003 Buck
D482,371 S 11/2003 Buck

OTHER PUBLICATIONS

Extracts from Emglo® Catalog of 2000, including pp. 8 & 9.

Front perspective view of an Emglo® Master Series® air compressor.

Side Perspective view of an Emglo® Master Series® air compressor.

Front perspective view view of a DeWalt® model D55250 air compressor.

* cited by examiner

Primary Examiner—Ralf Seifert

(74) *Attorney, Agent, or Firm*—Michael P. Leary; Charles E. Yocum; Adan Ayala

(56) **References Cited**

U.S. PATENT DOCUMENTS

2,434,675 A 1/1948 Simpson
D170,330 S 9/1953 Miller
D273,493 S 4/1984 Vitaloni
D273,789 S 5/1984 Davis
D273,958 S 5/1984 Mariol
D275,291 S 8/1984 Dunlap
D293,447 S 12/1987 Hefling
D293,682 S 1/1988 Liou
D296,104 S 6/1988 Hung
D301,247 S 5/1989 Prevosto
D327,891 S 7/1992 Morgan
D328,465 S 8/1992 Schwartz et al.
D352,295 S 11/1994 Morgan
D382,883 S 8/1997 Breitzman et al.
D403,330 S 12/1998 Williams
D403,331 S 12/1998 Williams
D409,627 S 5/1999 Wang
D440,578 S 4/2001 Nolan
D444,796 S 7/2001 Morgan
D444,797 S 7/2001 Davis et al.
D449,311 S * 10/2001 Graber et al. D15/9

(57) **CLAIM**

The ornamental design for an air compressor, as shown and described.

DESCRIPTION

FIG. 1 is a right front perspective view of an air compressor showing a first embodiment of my new design.

FIG. 2 is a front view of FIG. 1.

FIG. 3 is a rear view of FIG. 1.

FIG. 4 is a left side view of FIG. 1.

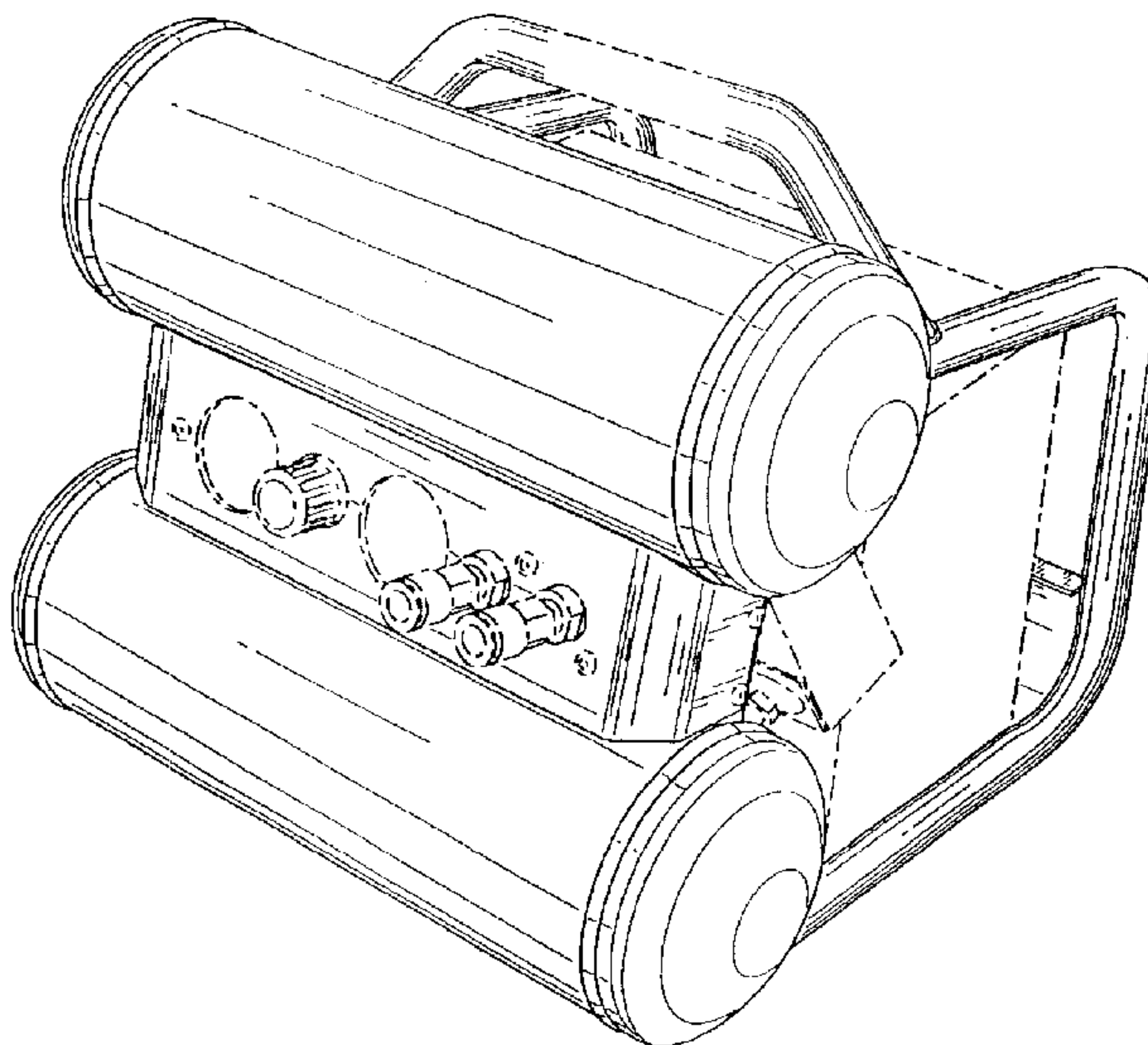
FIG. 5 is a right side view of FIG. 1.

FIG. 6 is a top view of FIG. 1; and,

FIG. 7 is a bottom view of FIG. 1.

The dashed lines and the areas within the dashed lines form no part of the claimed ornamental design.

1 Claim, 7 Drawing Sheets



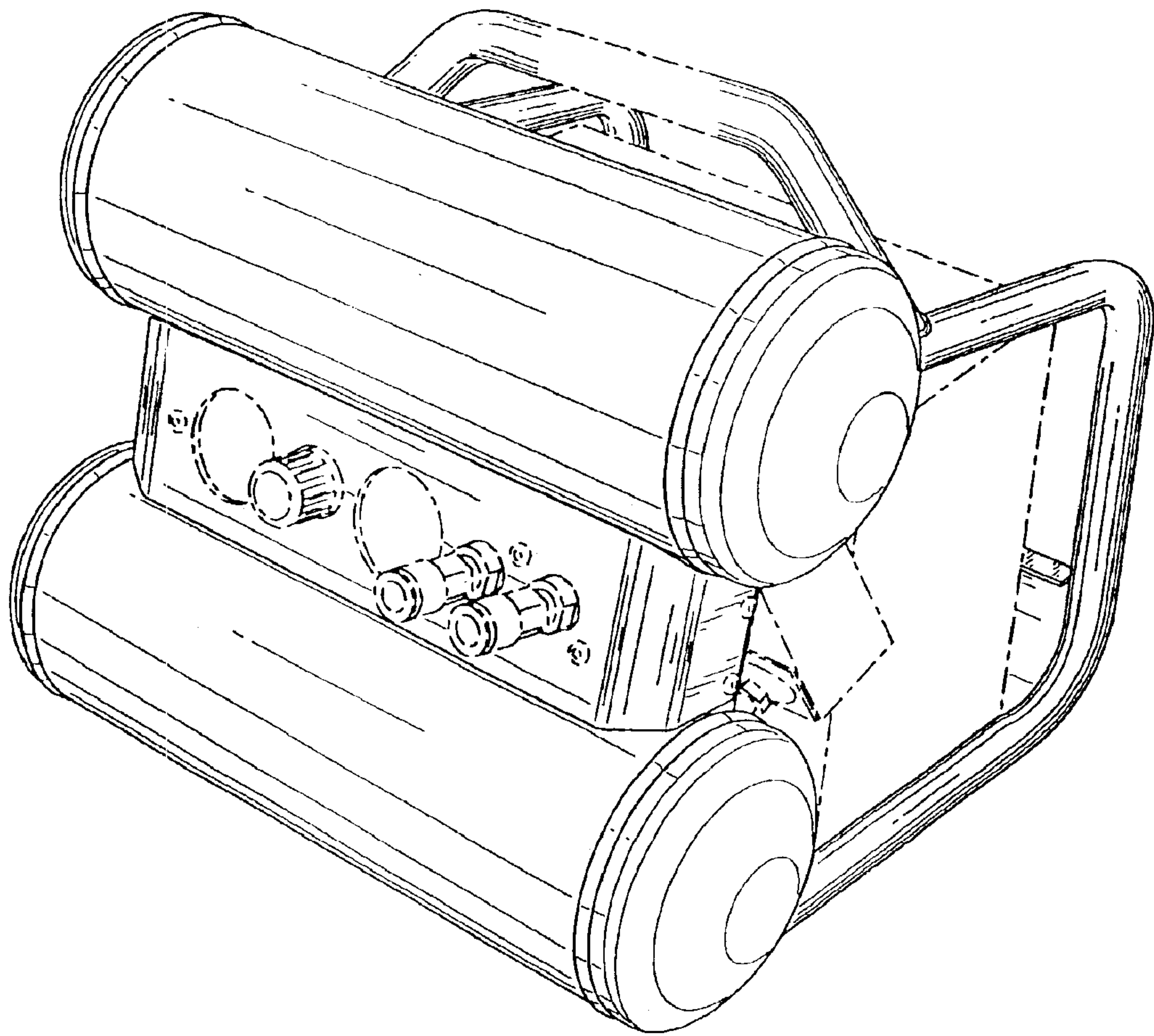


FIG. 1

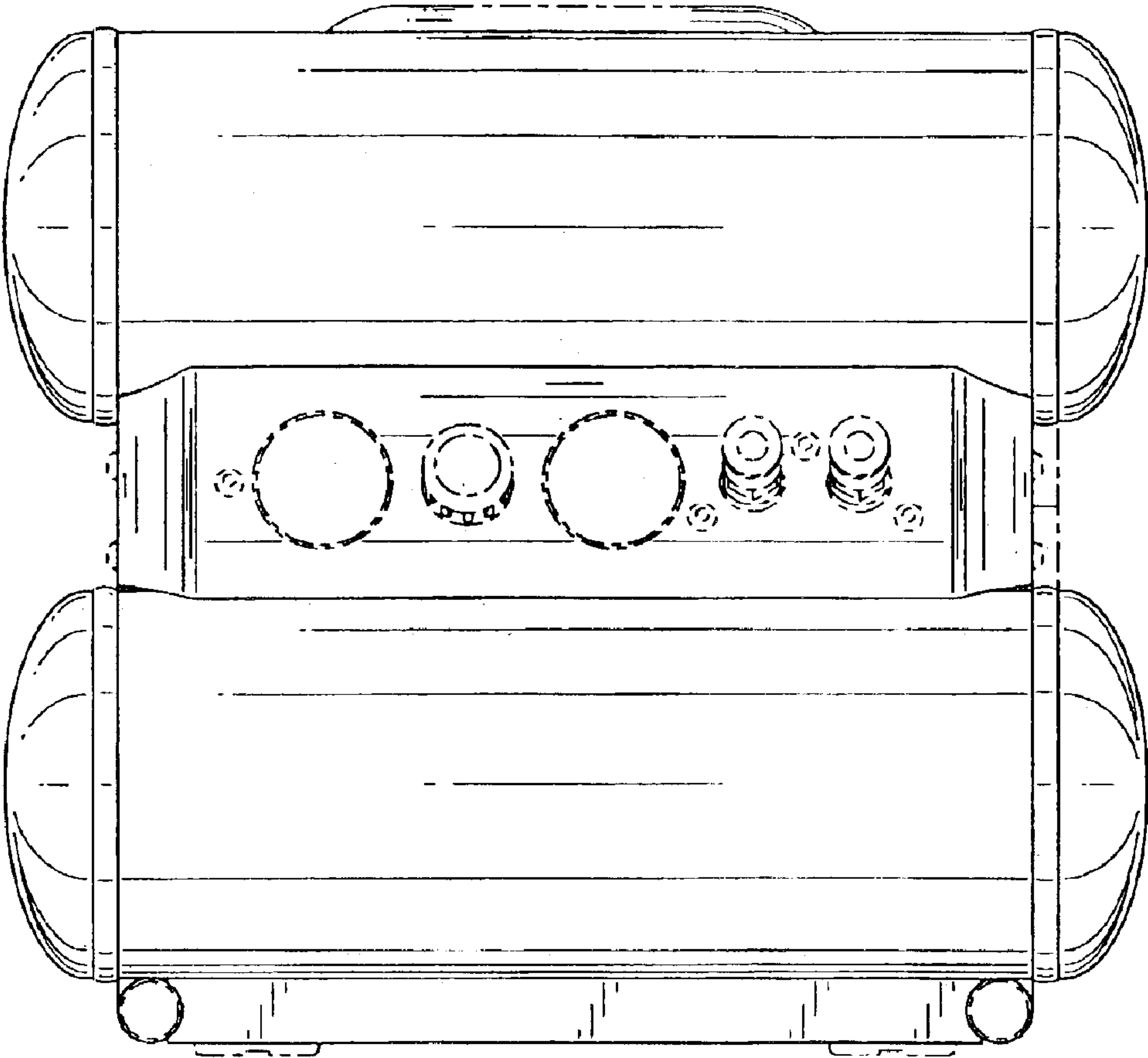


FIG. 2

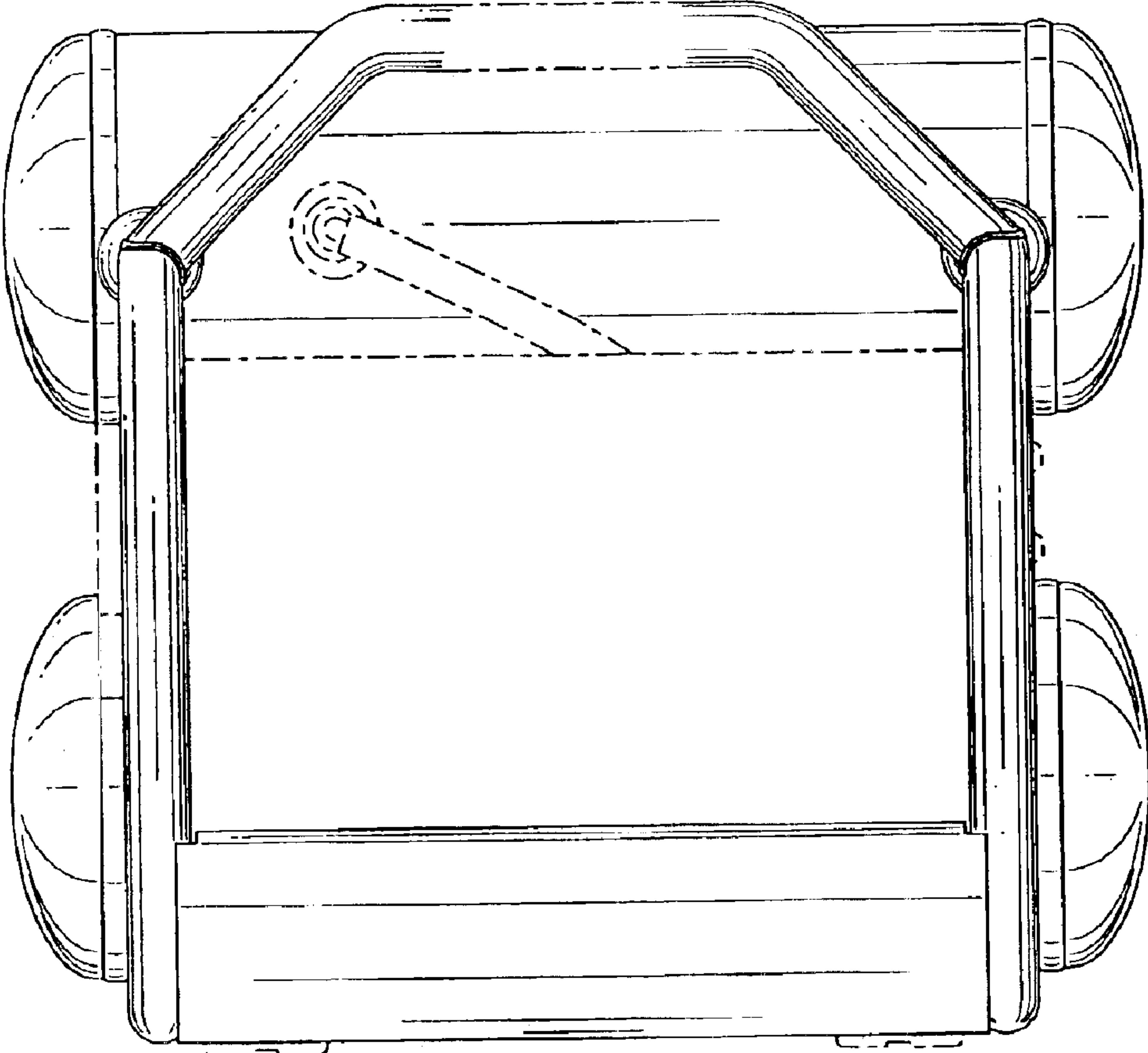


FIG. 3

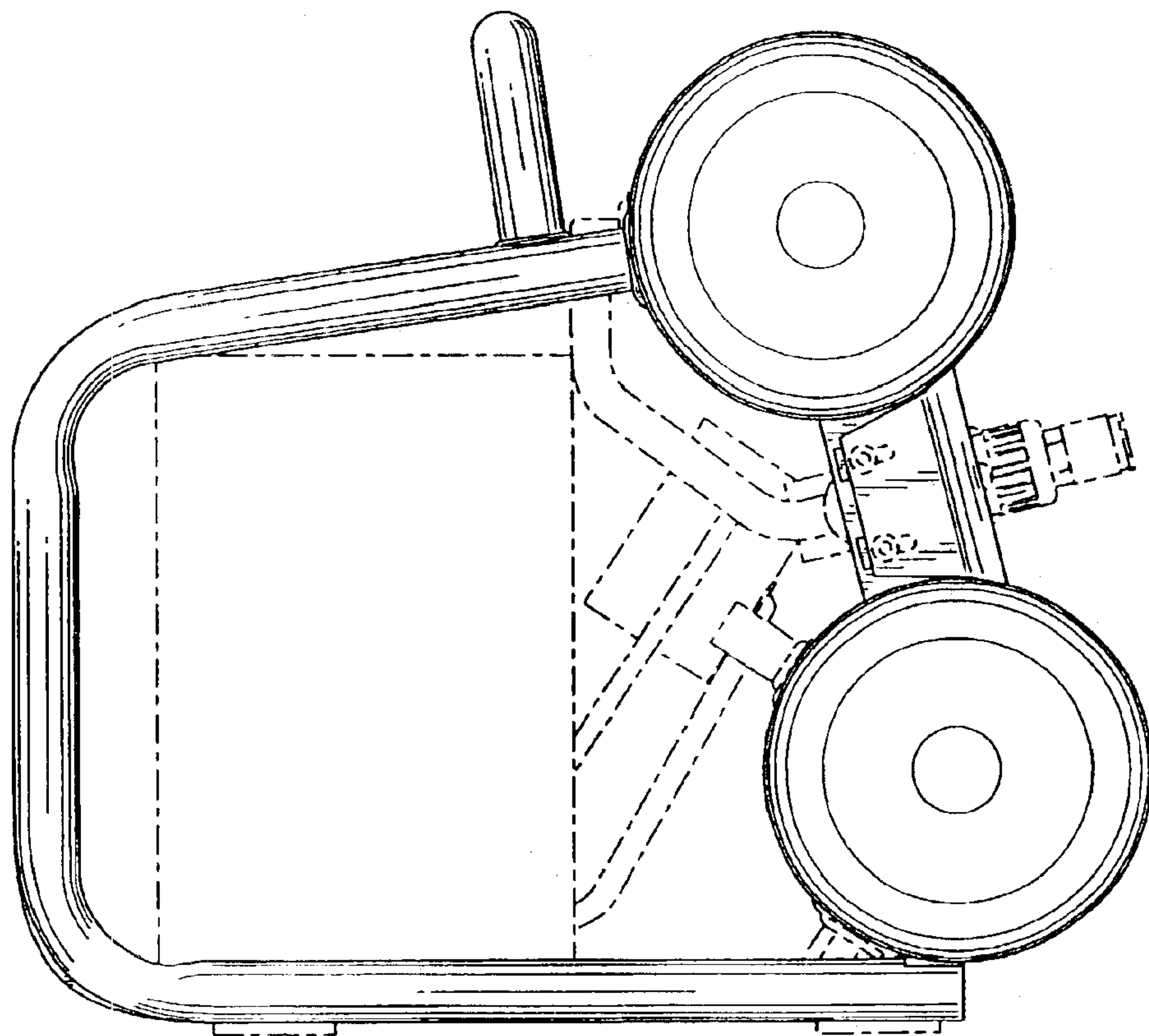


FIG. 4

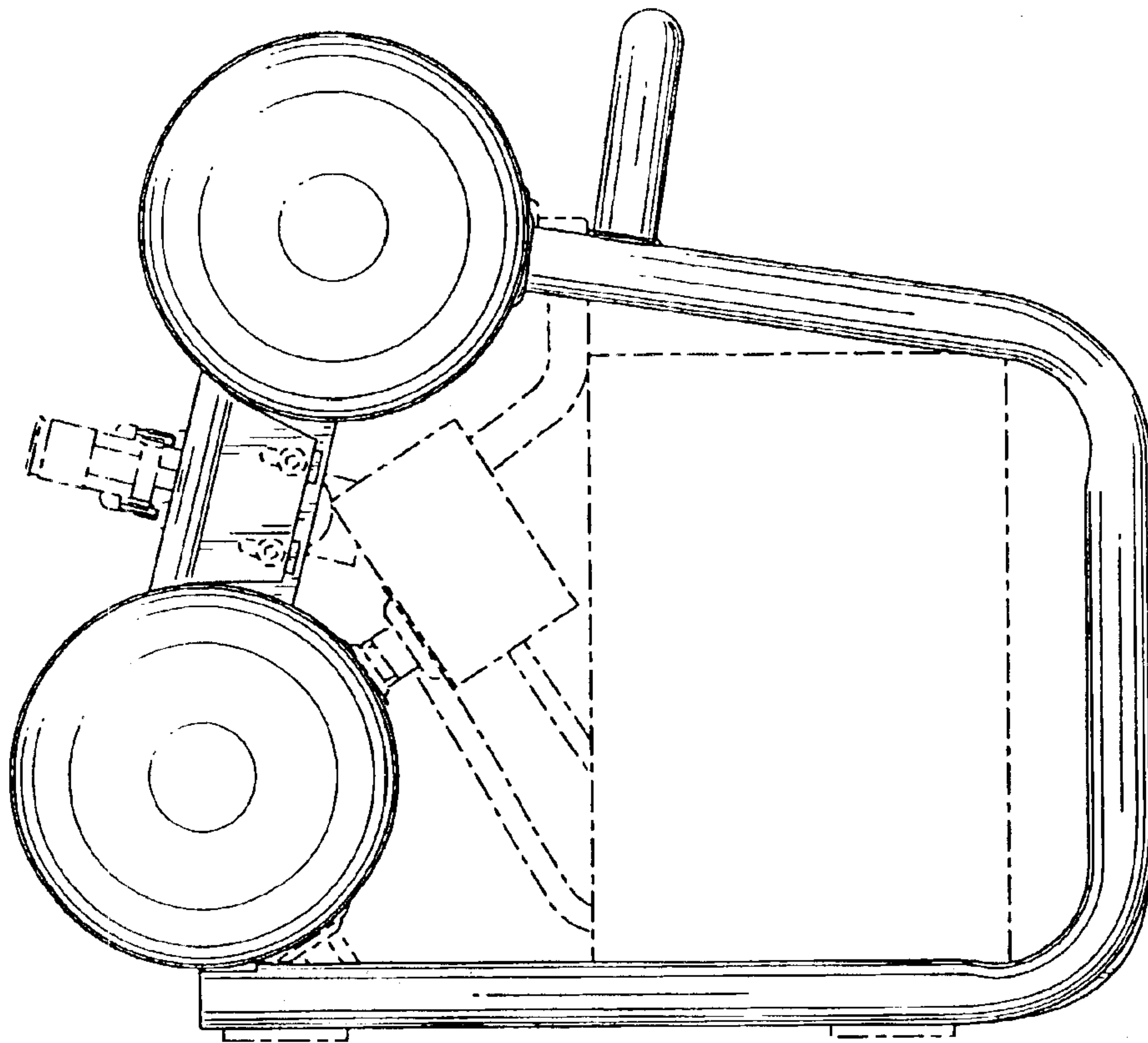


FIG. 5

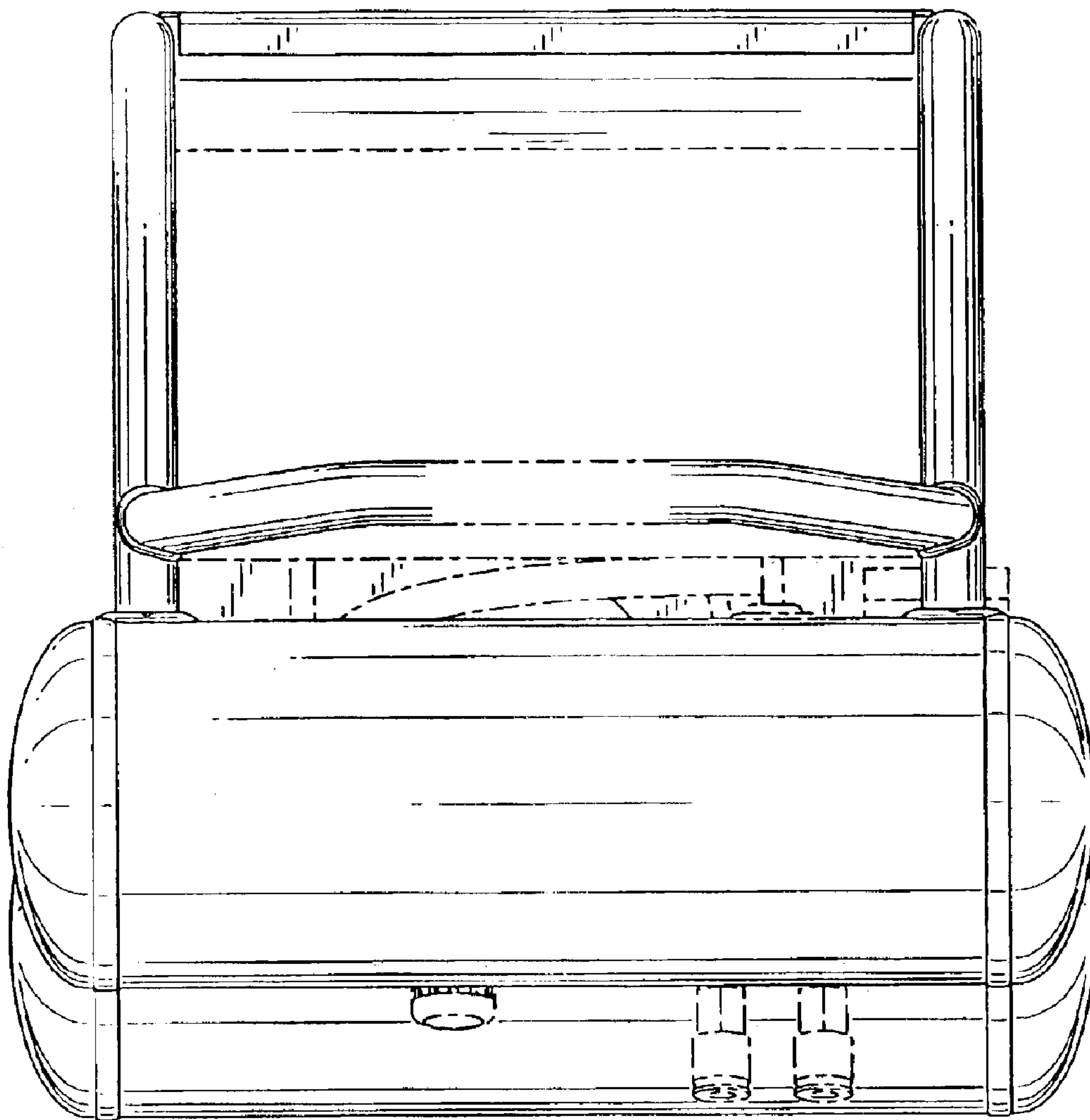


FIG. 6

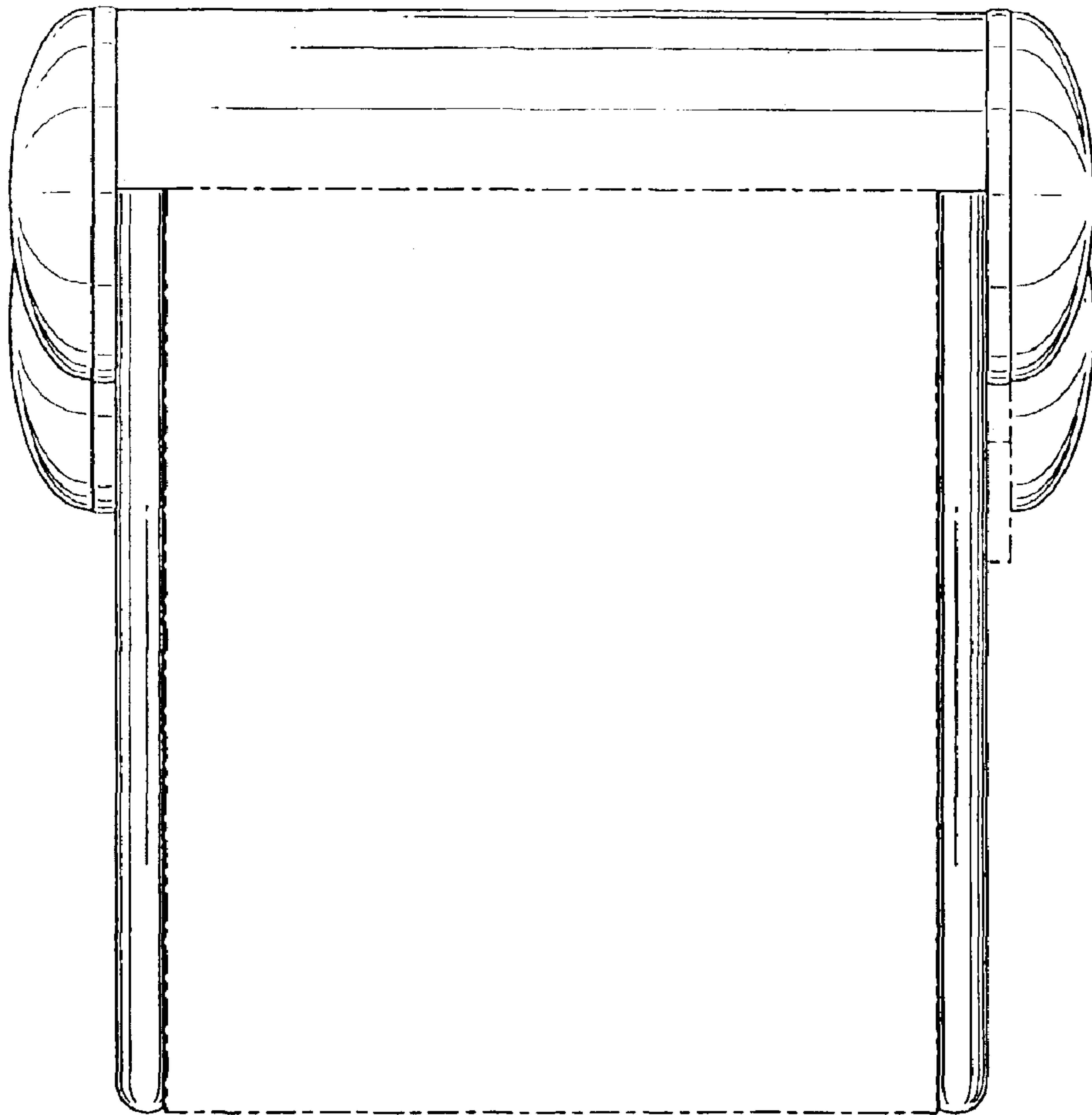


FIG. 7