

US00D505416S

(12) **United States Design Patent**
Ma

(10) **Patent No.:** **US D505,416 S**

(45) **Date of Patent:** **** May 24, 2005**

(54) **ANTENNA**

(75) **Inventor:** **Chun-Chen Ma, Sindian (TW)**

(73) **Assignee:** **Tatung Co., Ltd., Taipei (TW)**

(**) **Term:** **14 Years**

(21) **Appl. No.:** **29/199,356**

(22) **Filed:** **Feb. 17, 2004**

(51) **LOC (7) Cl.** **14-03**

(52) **U.S. Cl.** **D14/230**

(58) **Field of Search** D14/137, 138,
D14/230-238, 299, 358; D12/42, 43; 343/700 R-705,
871-908, 795, 840, 711-713, 819, 846;
455/90.2, 90.3, 91, 347, 128, 269, 344,
562.1

(56) **References Cited**

U.S. PATENT DOCUMENTS

2,339,619 A * 1/1944 Craig 343/869
3,261,019 A * 7/1966 Lundy 343/720

5,606,305 A * 2/1997 Jan 340/384.2
5,978,230 A * 11/1999 Dando et al. 361/777
6,054,961 A * 4/2000 Gong et al. 343/713

* cited by examiner

Primary Examiner—Louis S. Zarfes

Assistant Examiner—John Windmuller

(74) *Attorney, Agent, or Firm*—Bacon & Thomas PLLC

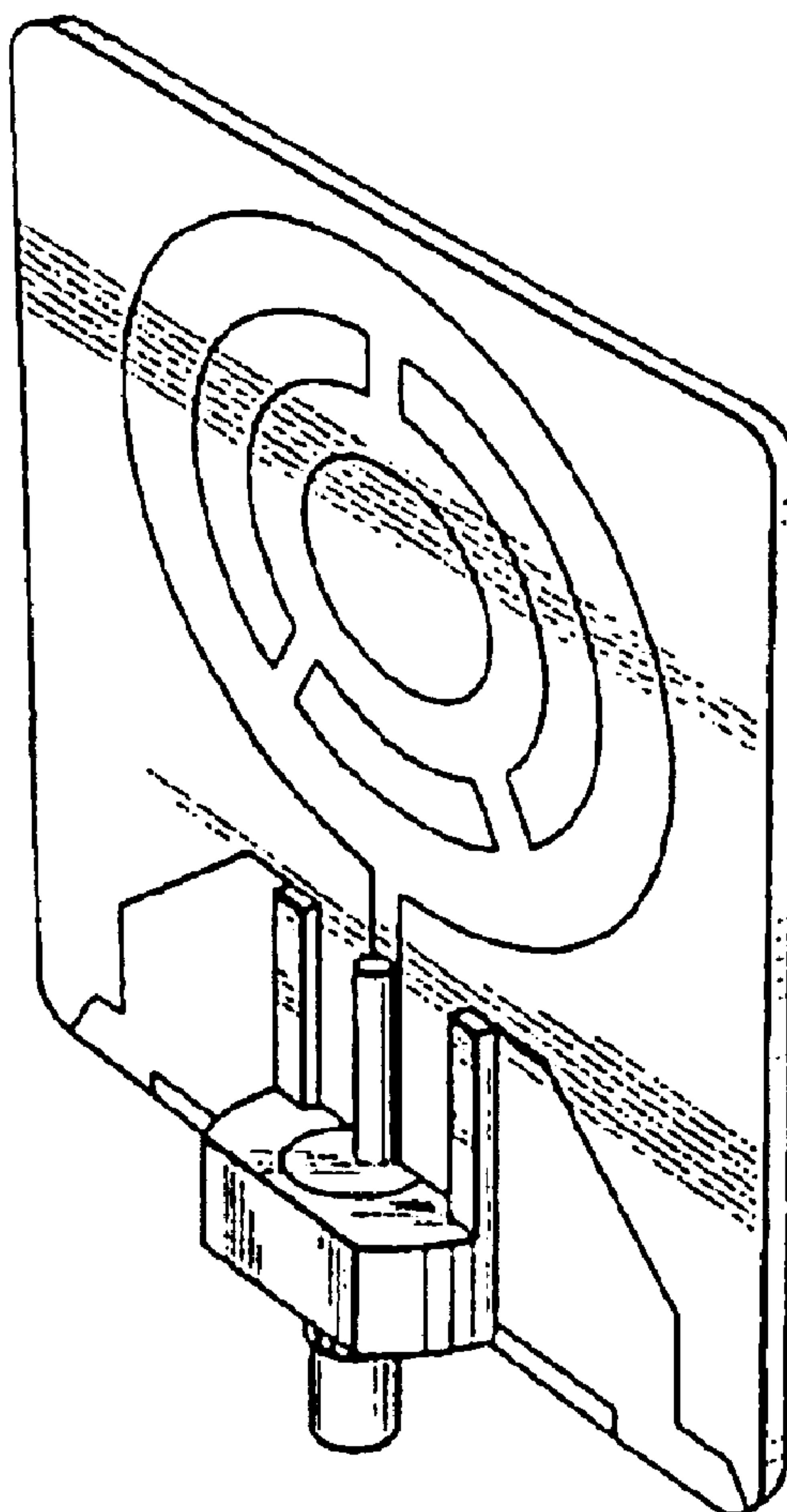
(57) **CLAIM**

The ornamental design for the antenna, as shown and described.

DESCRIPTION

FIG. 1 is a front view thereof;
FIG. 2 is a rear view thereof;
FIG. 3 is a left side view thereof;
FIG. 4 is a right side view thereof;
FIG. 5 is a top view thereof;
FIG. 6 is a bottom view thereof; and,
FIG. 7 is a perspective view of a first embodiment of an antenna showing our new design.

1 Claim, 3 Drawing Sheets



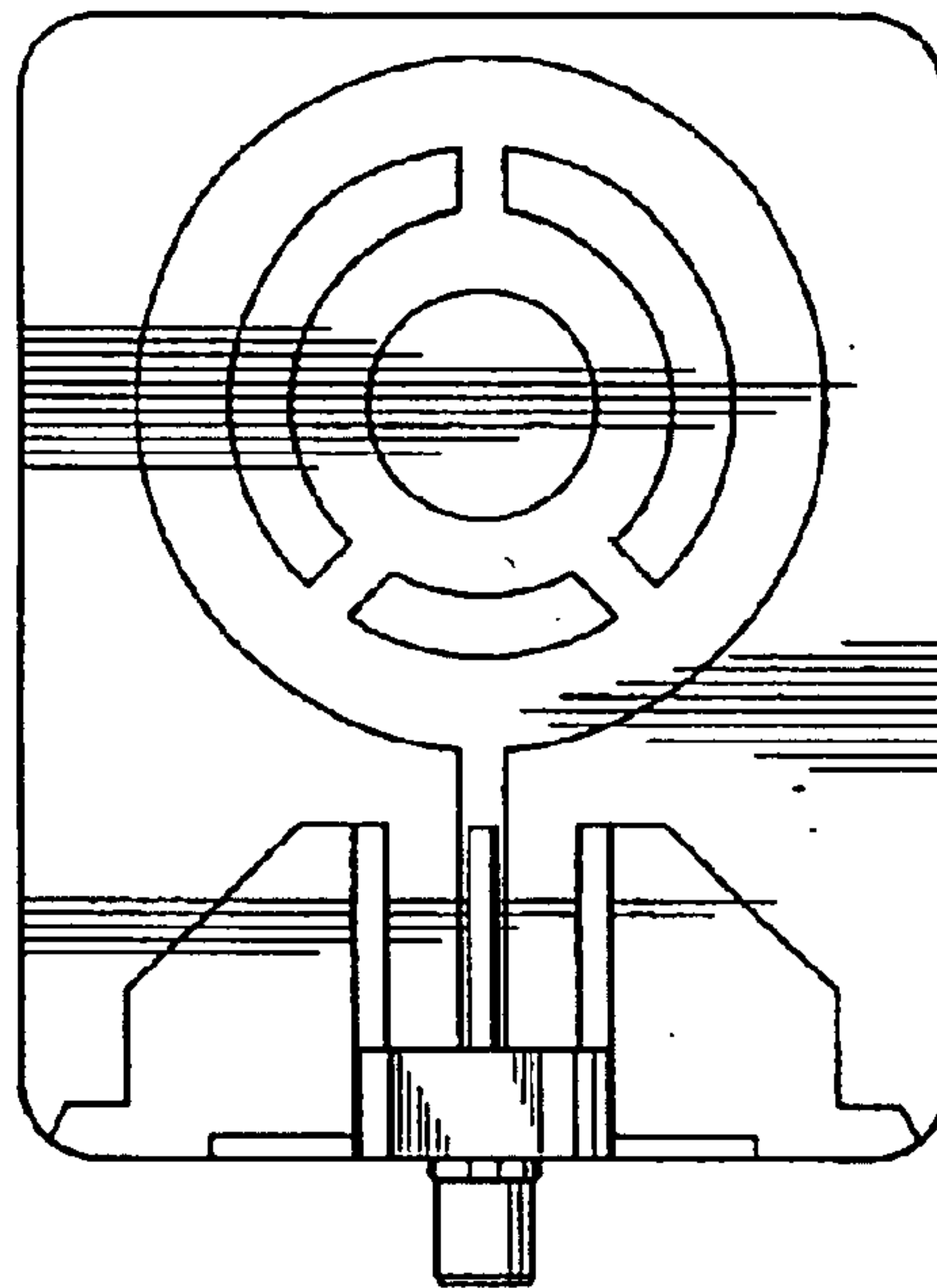


FIG. 1

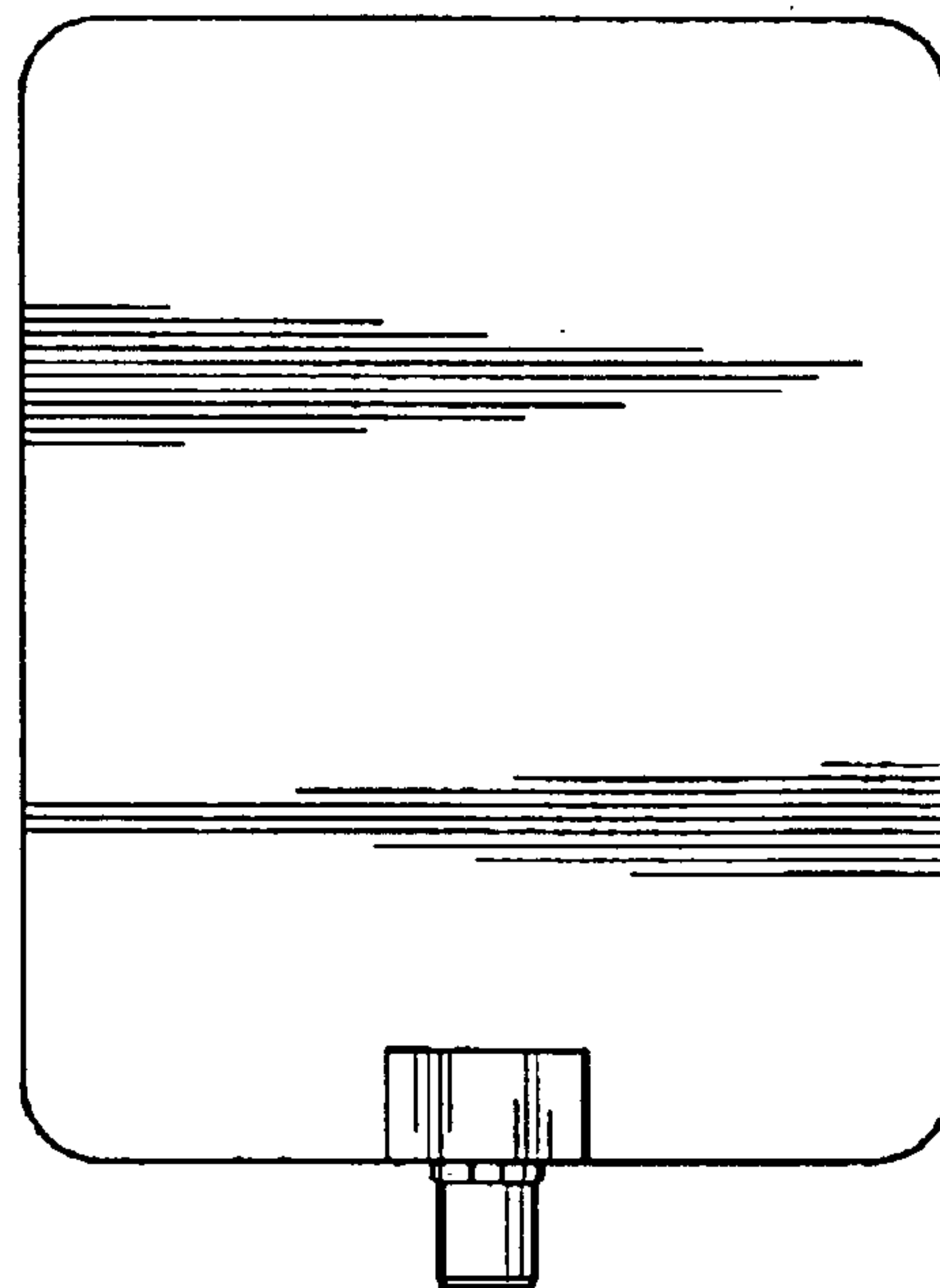


FIG. 2

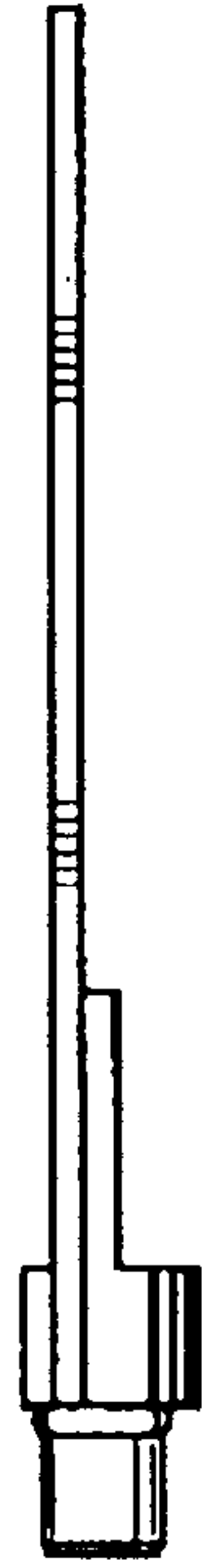


FIG. 3

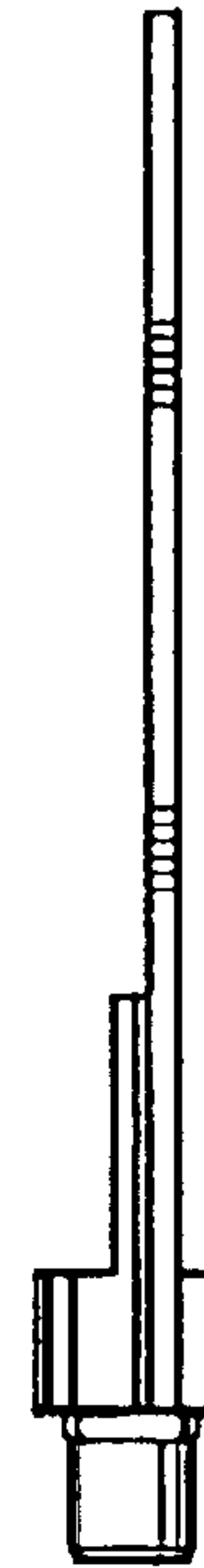


FIG. 4



FIG. 5



FIG. 6

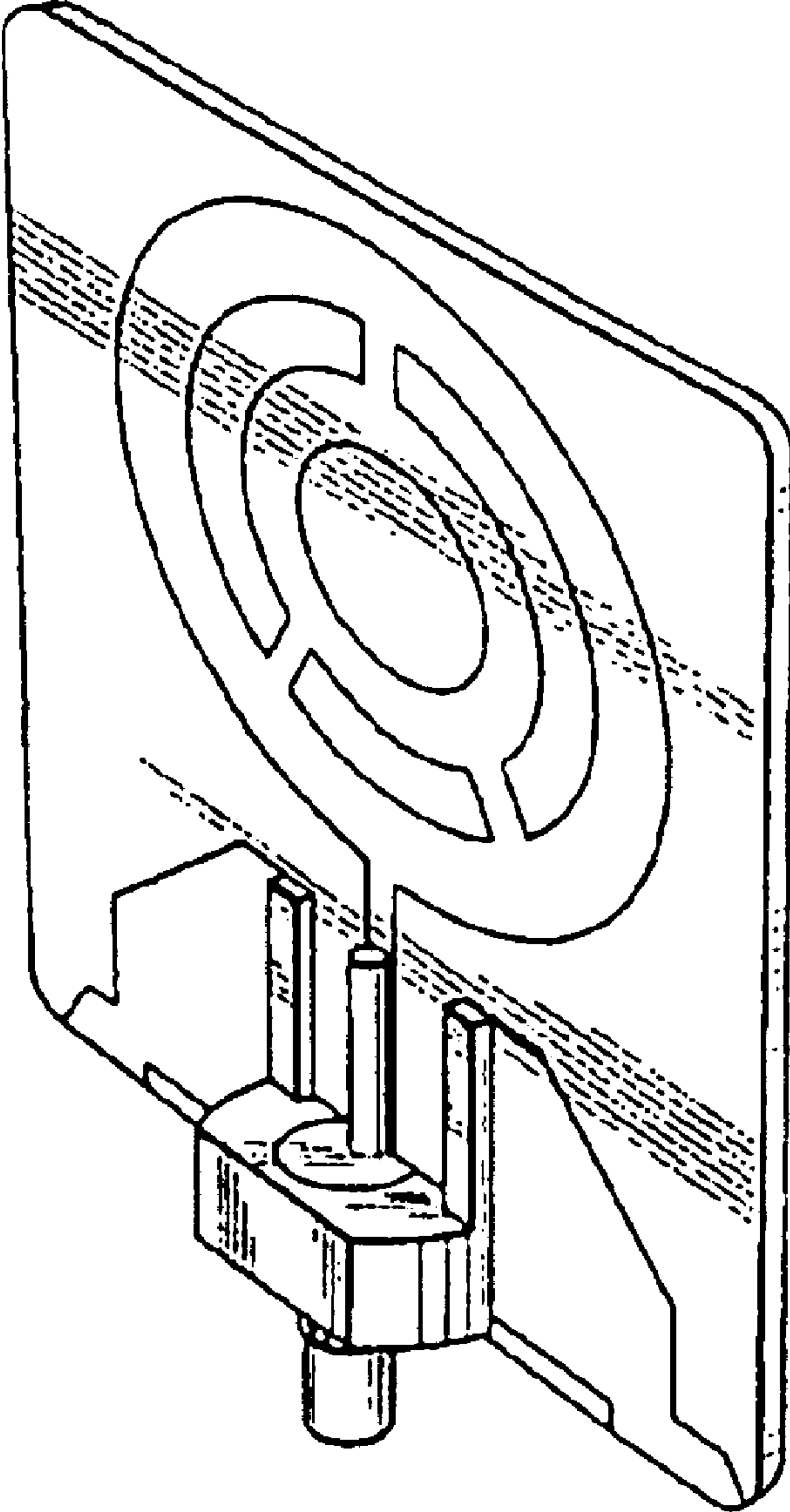


FIG. 7