

US00D505413S

(12) **United States Design Patent** (10) **Patent No.:** **US D505,413 S**  
**Skulley et al.** (45) **Date of Patent:** **\*\* May 24, 2005**

(54) **MICROPHONE BOOM FOR A COMMUNICATIONS HEADSET**

(75) Inventors: **Gerald W. Skulley**, Aptos, CA (US); **Christian R. Trifilio**, St. Paul, MN (US); **Peter B. Madson**, Minneapolis, MN (US)

(73) Assignee: **Plantronics, Inc.**, Santa Cruz, CA (US)

(\*\*) Term: **14 Years**

(21) Appl. No.: **29/190,674**

(22) Filed: **Sep. 23, 2003**

(51) **LOC (7) Cl.** ..... **14-02**

(52) **U.S. Cl.** ..... **D14/223**

(58) **Field of Search** ..... D14/204, 206, D14/223; 181/129, 130; 379/430, 433; 381/381, 370, 376, 377, 378, 379, 380

(56) **References Cited**

**U.S. PATENT DOCUMENTS**

D233,444 S	*	10/1974	Christian	.....	D14/206
4,273,969 A	*	6/1981	Foley et al.	.....	379/430
D371,133 S	*	6/1996	Andrea	.....	D14/206
D403,327 S	*	12/1998	Landreth et al.	.....	D14/223
D439,890 S	*	4/2001	Skulley et al.	.....	D14/223
D451,089 S	*	11/2001	Hohl et al.	.....	D14/223
D464,951 S	*	10/2002	Skulley et al.	.....	D14/223
D470,128 S	*	2/2003	Hlas et al.	.....	D14/223
D470,835 S	*	2/2003	Bey et al.	.....	D14/223
6,622,029 B1	*	9/2003	Skulley et al.	.....	379/430

\* cited by examiner

*Primary Examiner*—Paula A. Greene  
(74) *Attorney, Agent, or Firm*—Peter Hsieh

(57) **CLAIM**

The ornamental design for a microphone boom for a communications headset, as shown and described.

**DESCRIPTION**

This application is related to co-pending U.S. Design patent application Ser. No. 29/190,651, entitled “Communications Headset” filed concurrently herewith.

FIG. 1 is an upper front left perspective view of a microphone boom, the broken line drawings herein of communications headset as well as cord, connector, and clip for the communications headset are for illustrative purposes only and form no part of the claimed design.

FIG. 2 is a lower front right perspective view of the microphone boom of FIG. 1.

FIG. 3 is a left side elevational view of the microphone boom of FIG. 1.

FIG. 4 is a front elevational view of the microphone boom of FIG. 1.

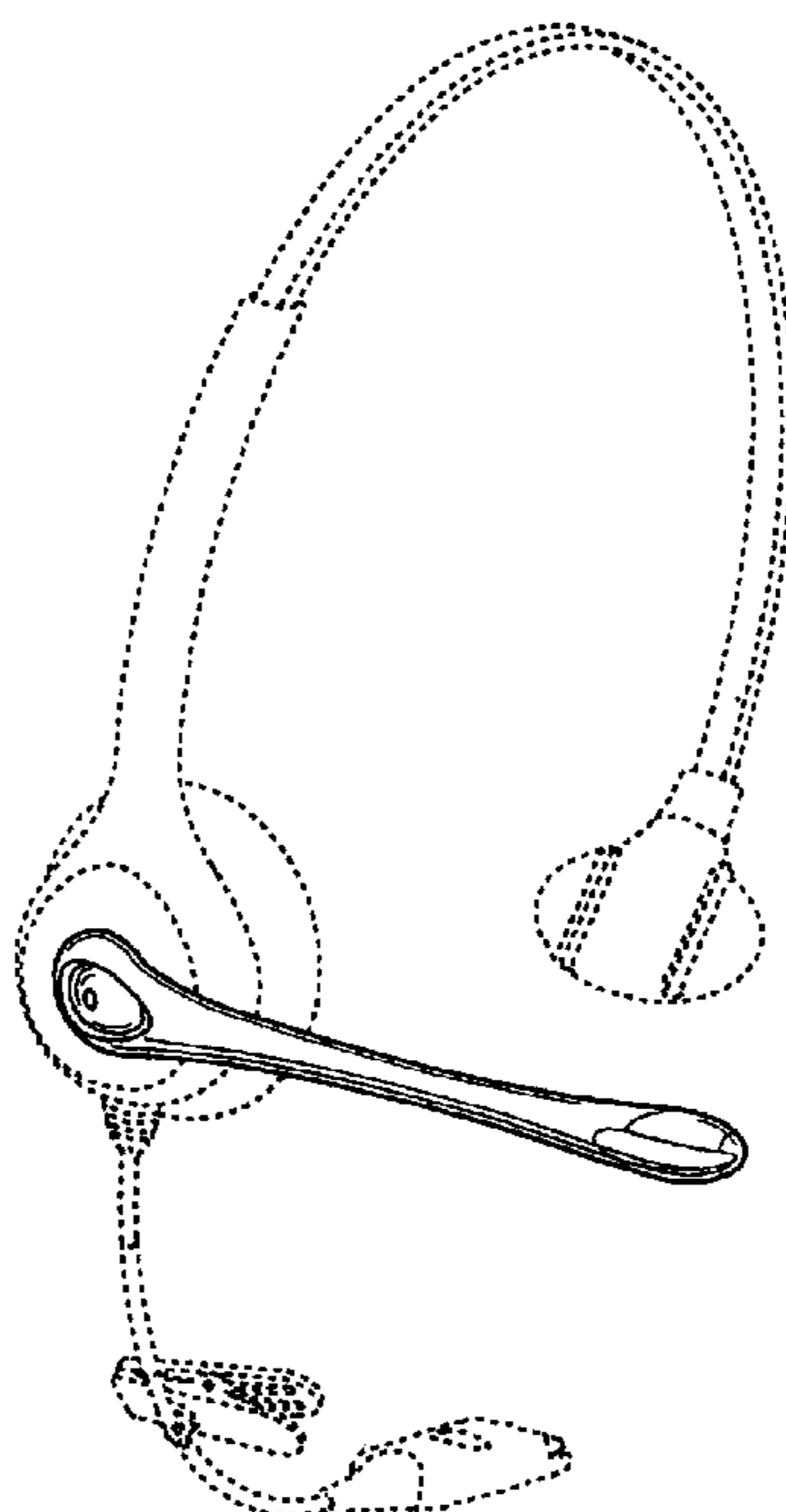
FIG. 5 is a right side elevational view of the microphone boom of FIG. 1.

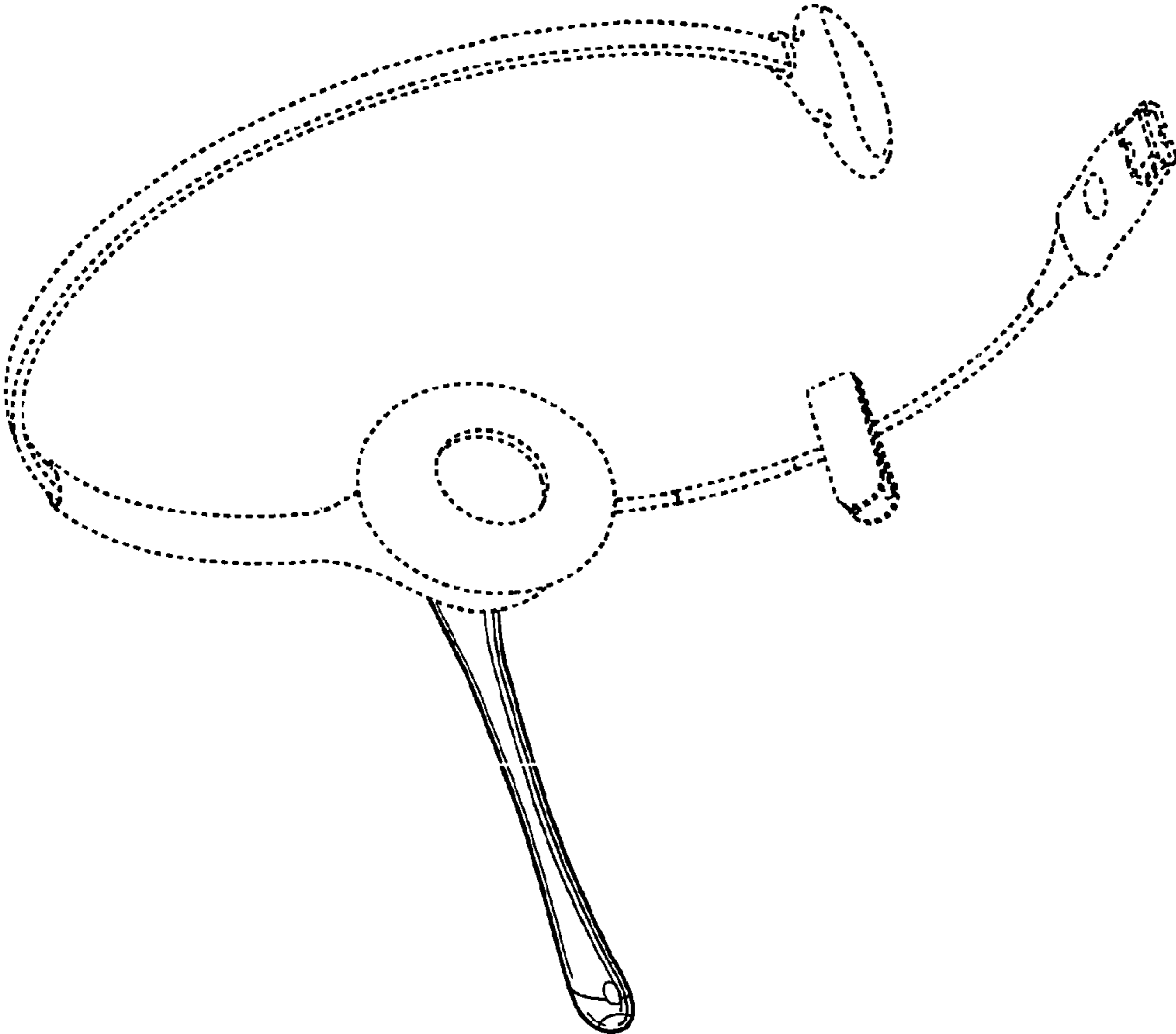
FIG. 6 is a rear elevational view of the microphone boom of FIG. 1.

FIG. 7 is a bottom plan view of the microphone boom of FIG. 1; and,

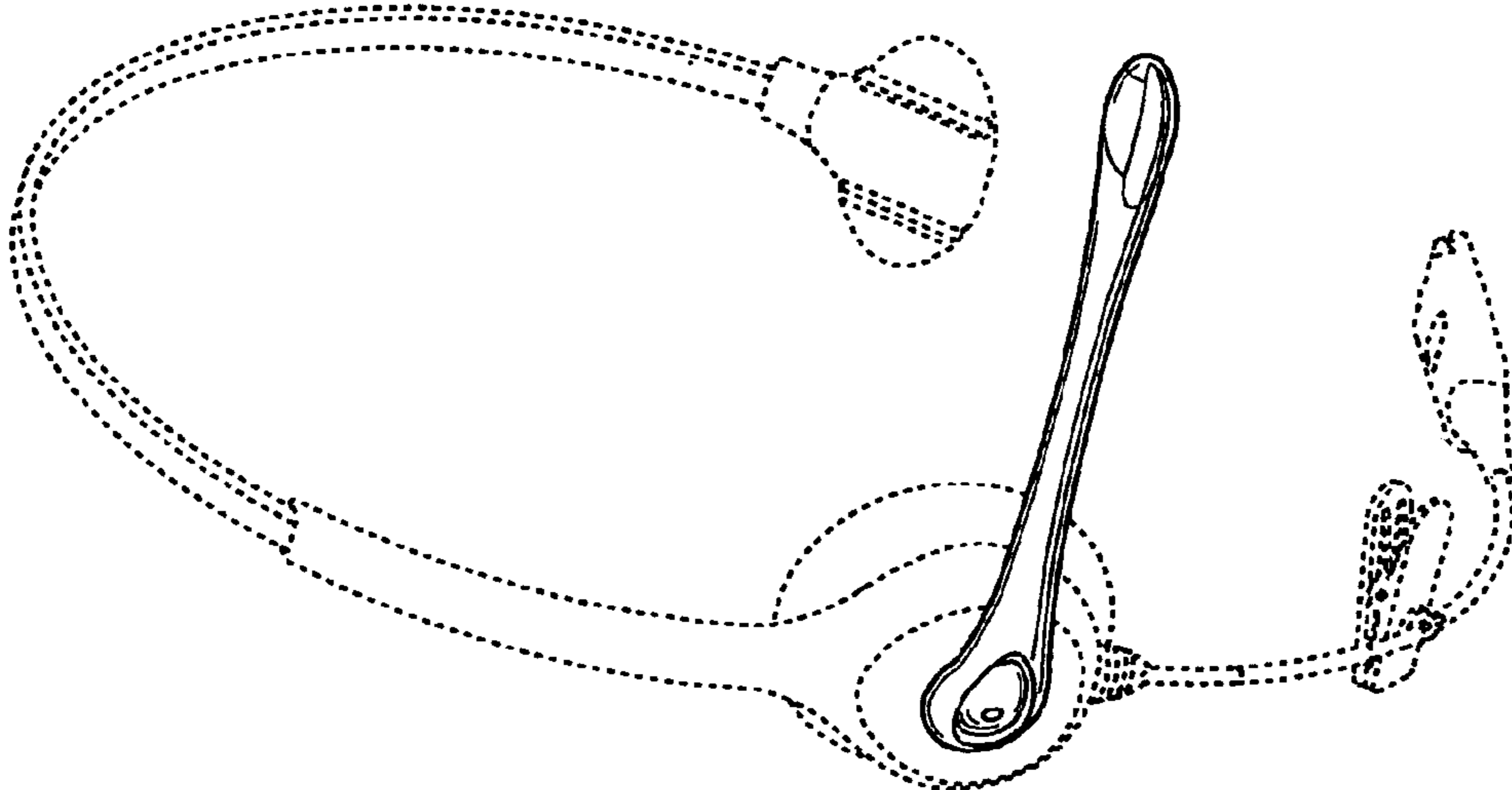
FIG. 8 is a top plan view of the microphone boom of FIG. 1.

**1 Claim, 4 Drawing Sheets**





**FIG. 1**



**FIG. 2**

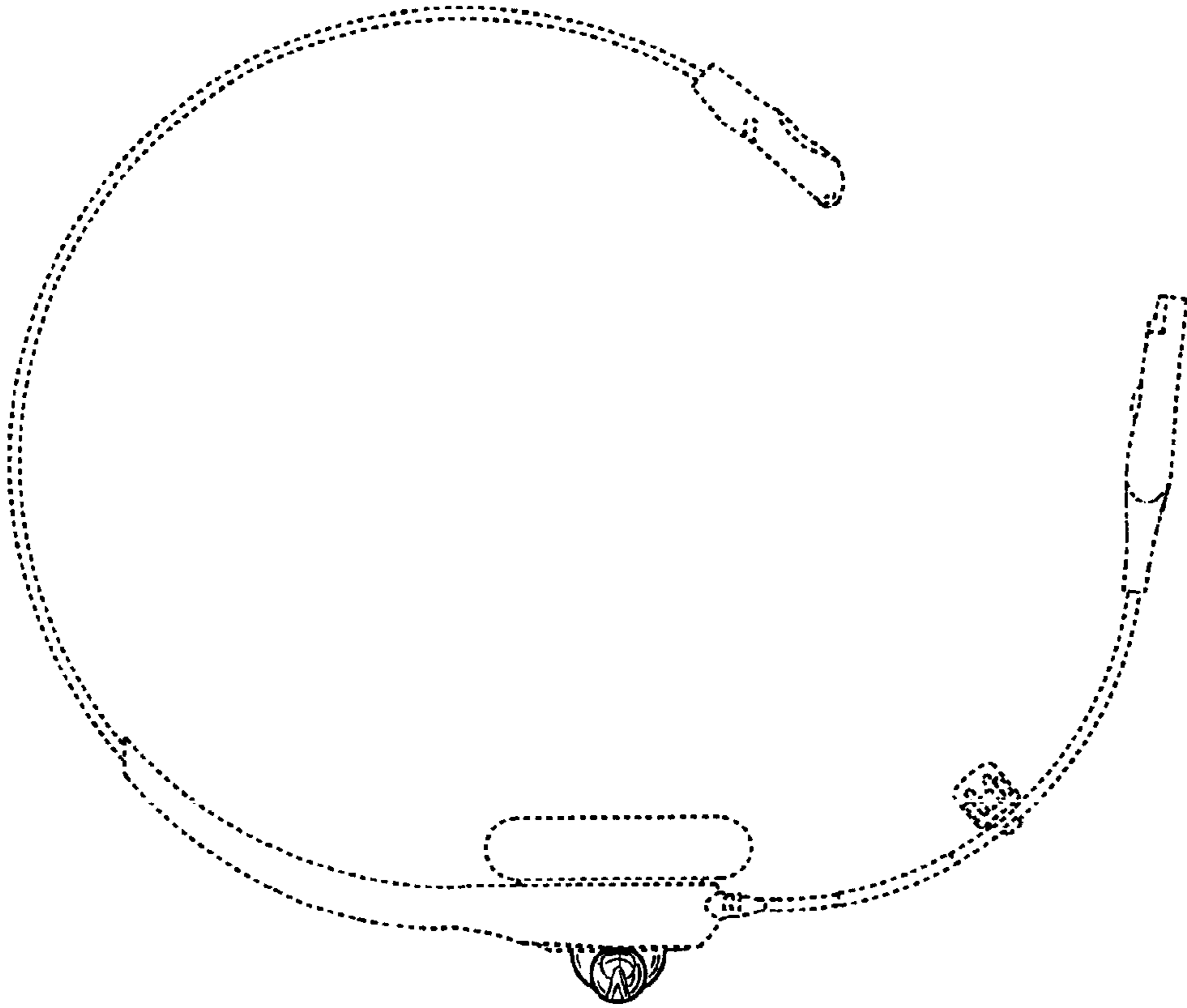


FIG. 4

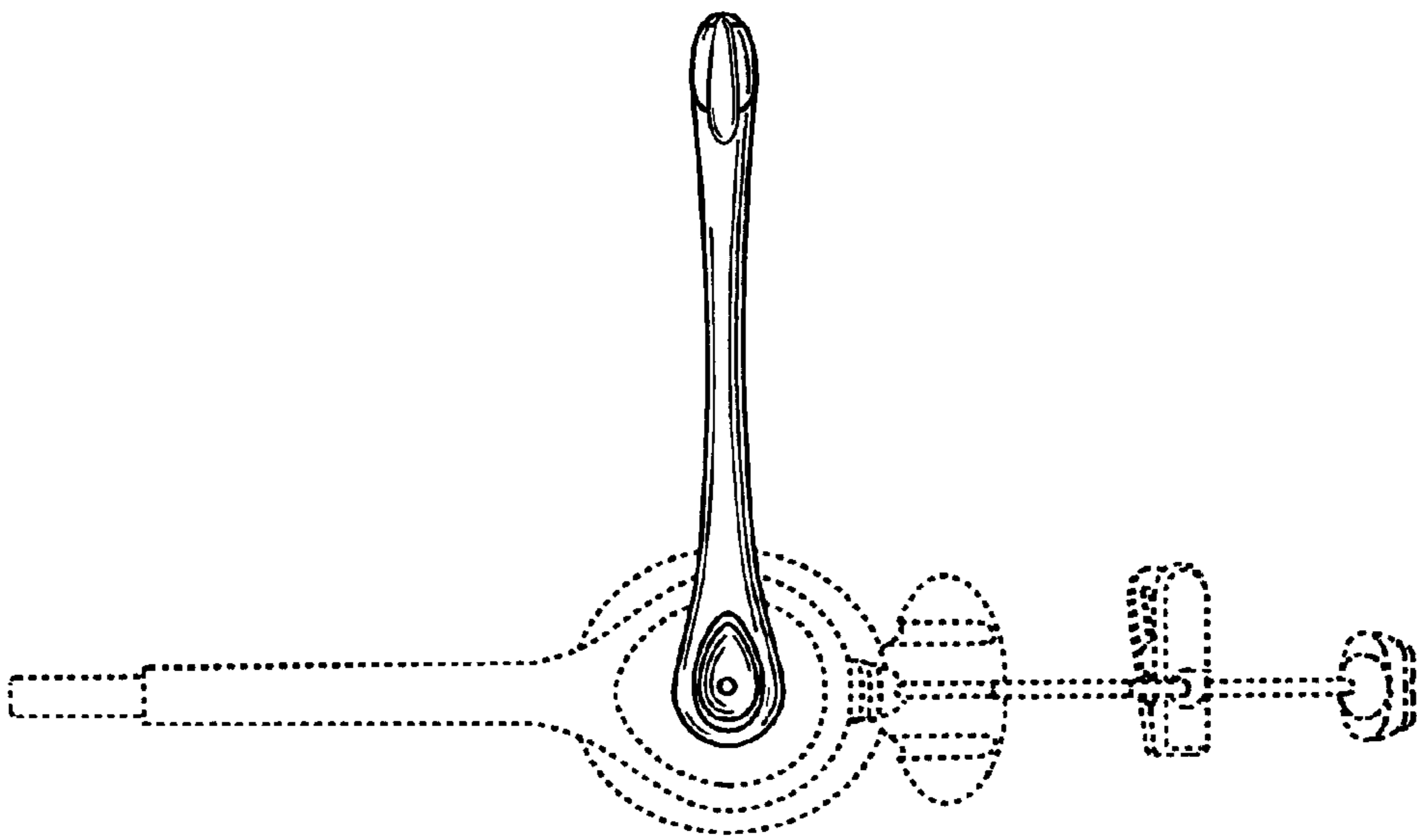
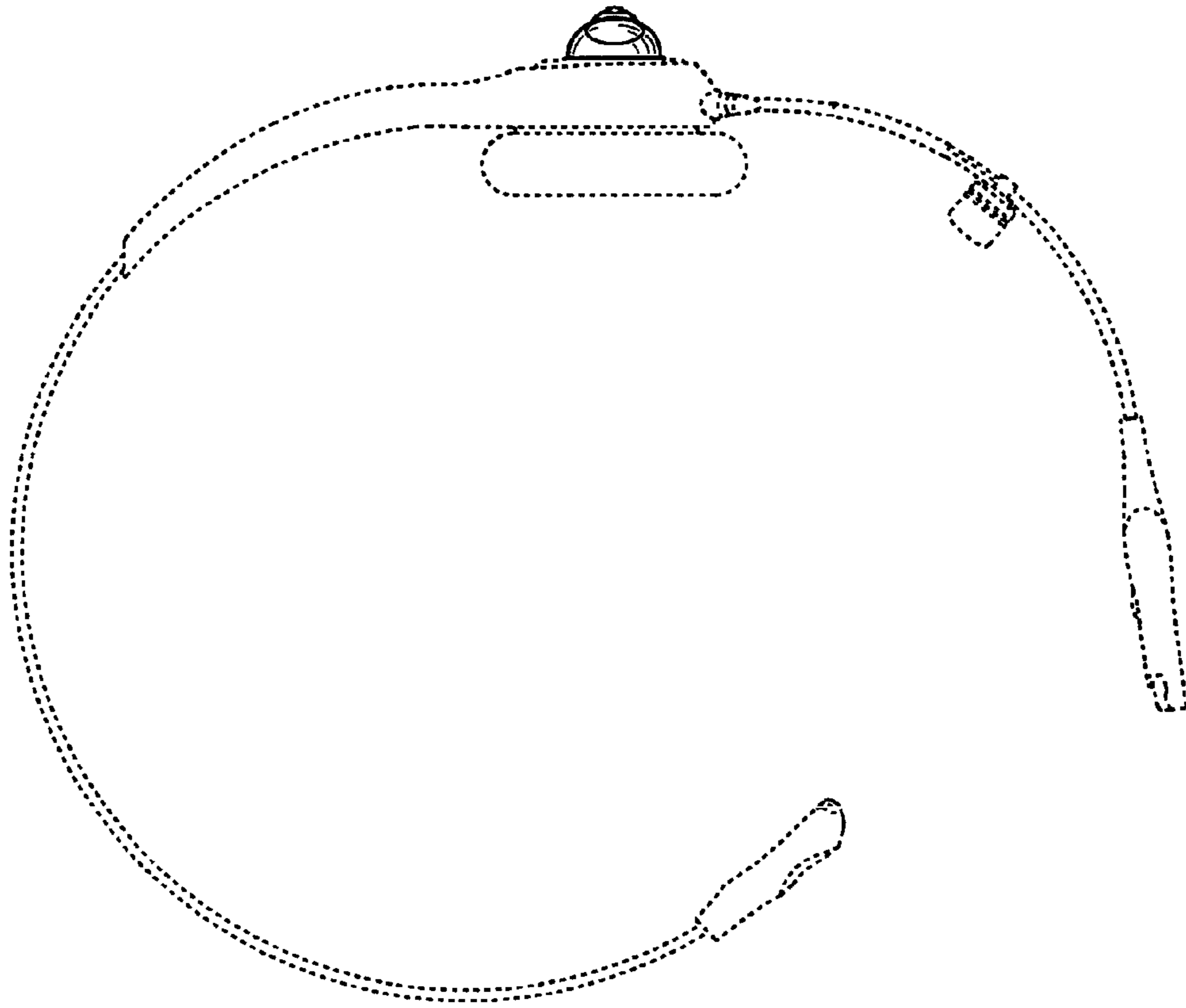
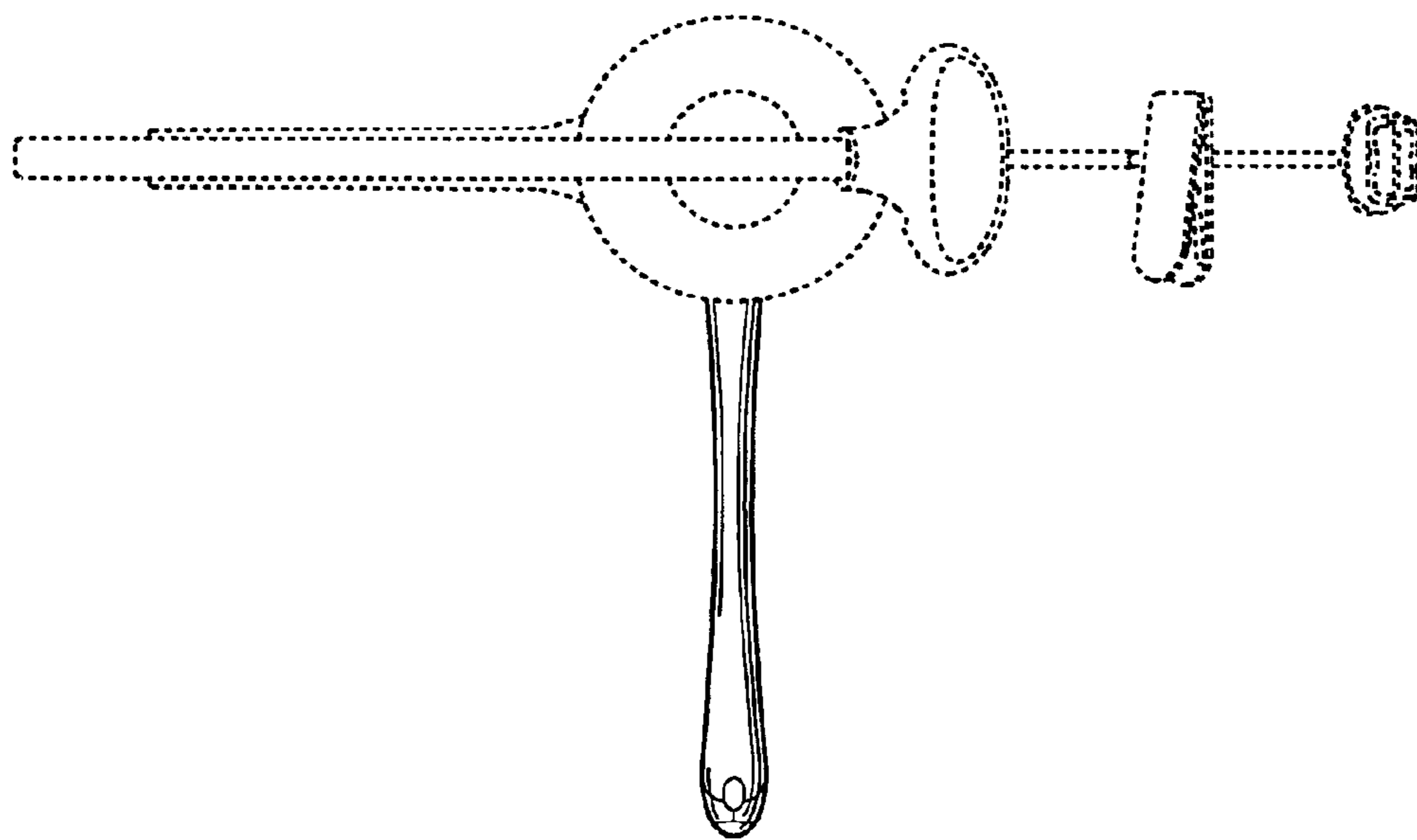


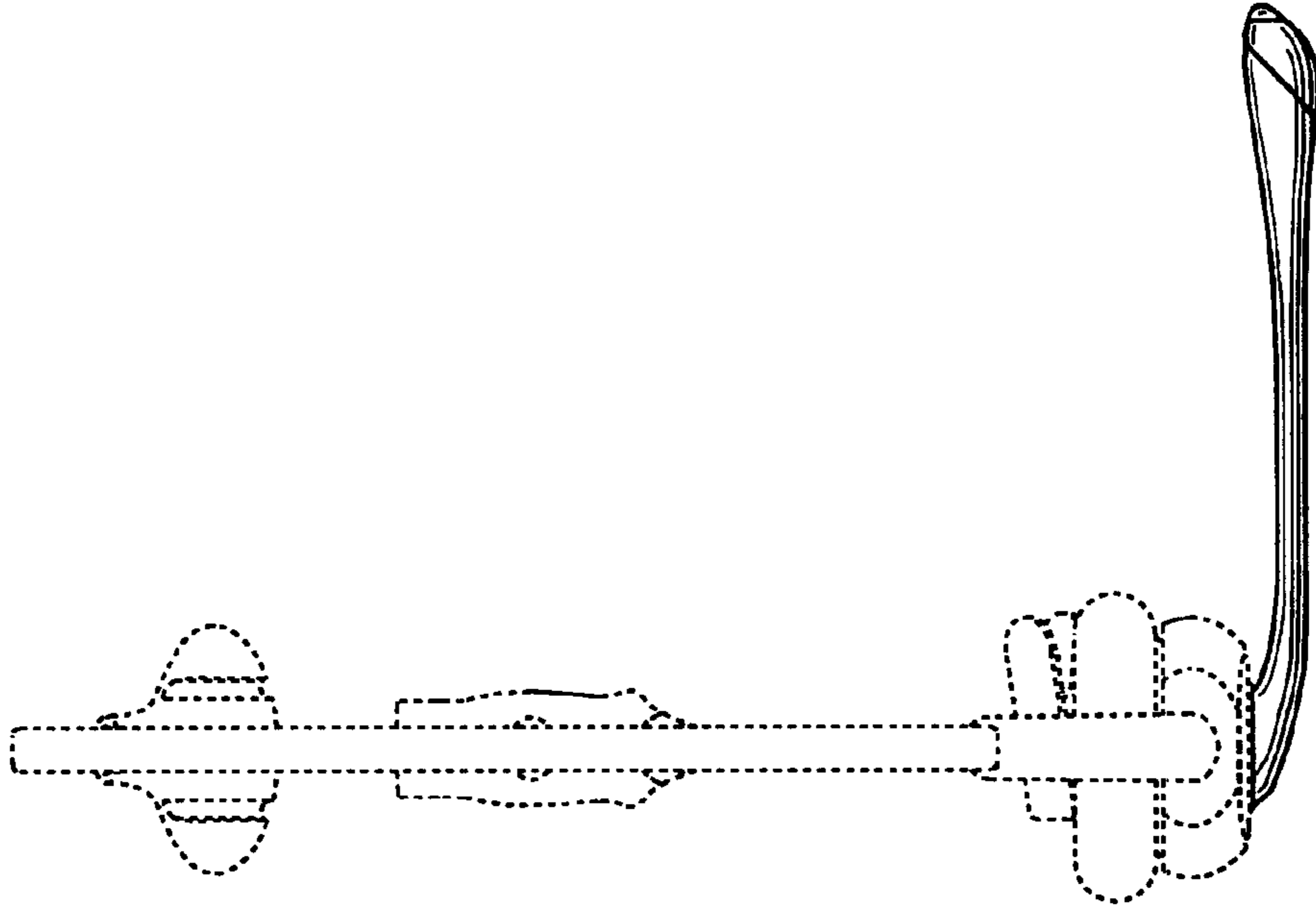
FIG. 3



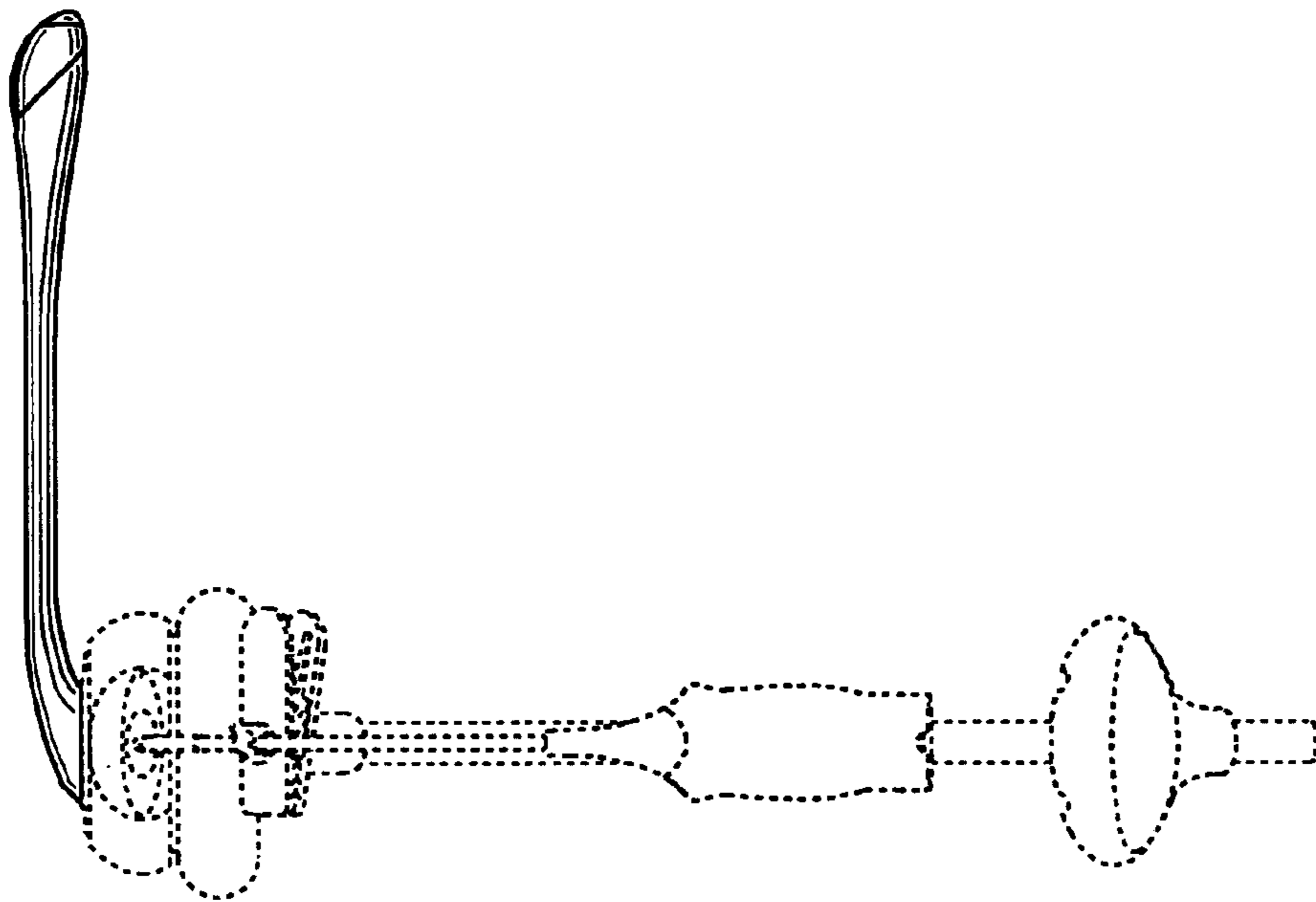
**FIG. 6**



**FIG. 5**



**FIG. 7**



**FIG. 8**