

US00D505411S

(12) **United States Design Patent**
Sakai

(10) **Patent No.:** **US D505,411 S**

(45) **Date of Patent:** **** May 24, 2005**

(54) **COMBINED HEADPHONE AND AUDIO
PLAYER**

(75) Inventor: **Wakaba Sakai, Tokyo (JP)**

(73) Assignee: **Sony Corporation, Tokyo (JP)**

(**) Term: **14 Years**

(21) Appl. No.: **29/205,632**

(22) Filed: **May 19, 2004**

(51) **LOC (7) Cl.** **14-03**

(52) **U.S. Cl.** **D14/192; D14/205**

(58) **Field of Search** D14/191, 192,
D14/204, 205, 223, 249, 248, 137, 138,
147, 148, 188; 381/300, 370, 309-311,
376-381; 379/430, 431, 433.01, 440

(56) **References Cited**

U.S. PATENT DOCUMENTS

3,984,885	A	*	10/1976	Yoshimura et al.	381/309
4,829,571	A	*	5/1989	Kakiuchi et al.	381/309
5,095,382	A	*	3/1992	Abe	398/202
5,333,206	A	*	7/1994	Koss	381/370
D352,036	S	*	11/1994	Sekita	D14/192
5,369,857	A	*	12/1994	Sacherman et al.	29/594
5,740,254	A	*	4/1998	Thompson et al.	381/309
D409,614	S	*	5/1999	Carlton	D14/192
D439,574	S	*	3/2001	Katayama	D14/156

D453,015	S	*	1/2002	Yuyama	D14/205
D467,895	S	*	12/2002	Hirano	D14/192
D481,375	S		10/2003	Suzuki		
D484,485	S		12/2003	Matsuoka		

* cited by examiner

Primary Examiner—Prabhakar Deshmukh

(74) *Attorney, Agent, or Firm*—Rader, Fishman & Grauer
PLLC

(57) **CLAIM**

The ornamental design for a combined headphone and audio player, as shown and described.

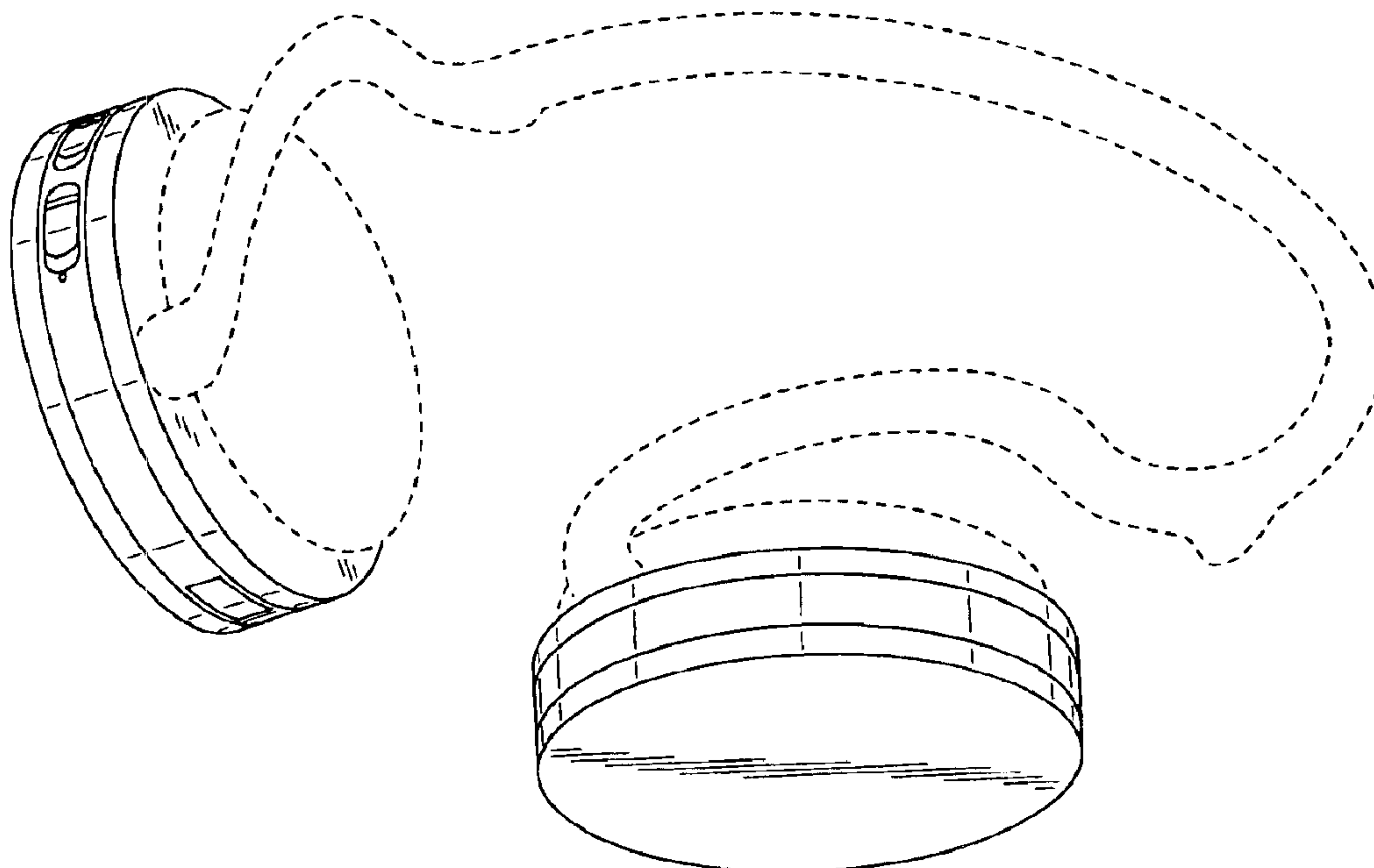
DESCRIPTION

FIG. 1 is a perspective view of a combined headphone and audio player showing my new design; FIG. 2 is a front elevational view thereof; FIG. 3 is a rear elevational view thereof; FIG. 4 is a left side elevational view thereof; FIG. 5 is a right side elevational view thereof; FIG. 6 is a top plan view thereof; and, FIG. 7 is a bottom plan view thereof.

Portions of FIGS. 1-7 that are shown as broken lines are for illustrative purpose only and form no part of the claimed design.

The broken line lines, which also define the bounds of the claimed design form no part thereof.

1 Claim, 4 Drawing Sheets



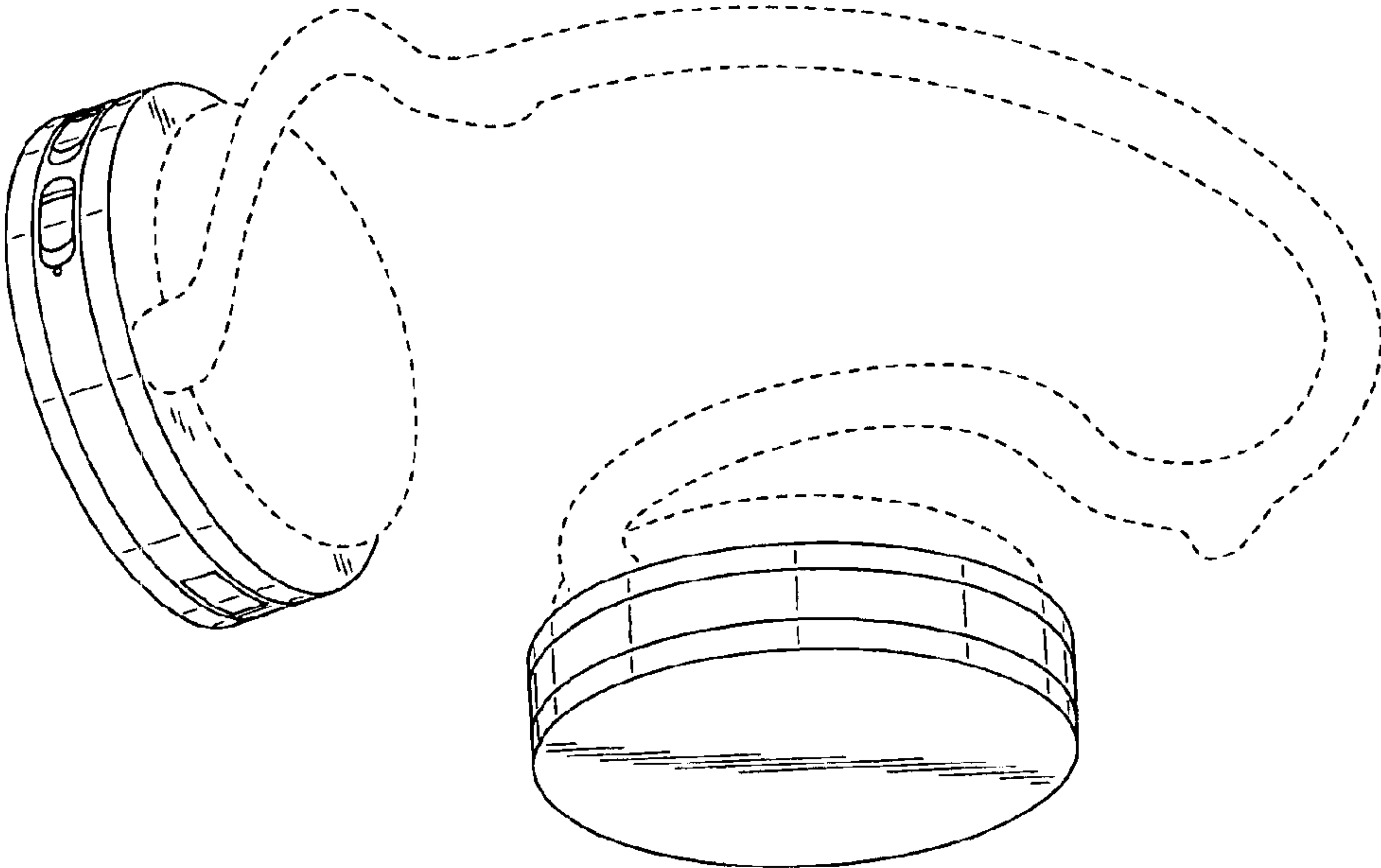


FIG. 1

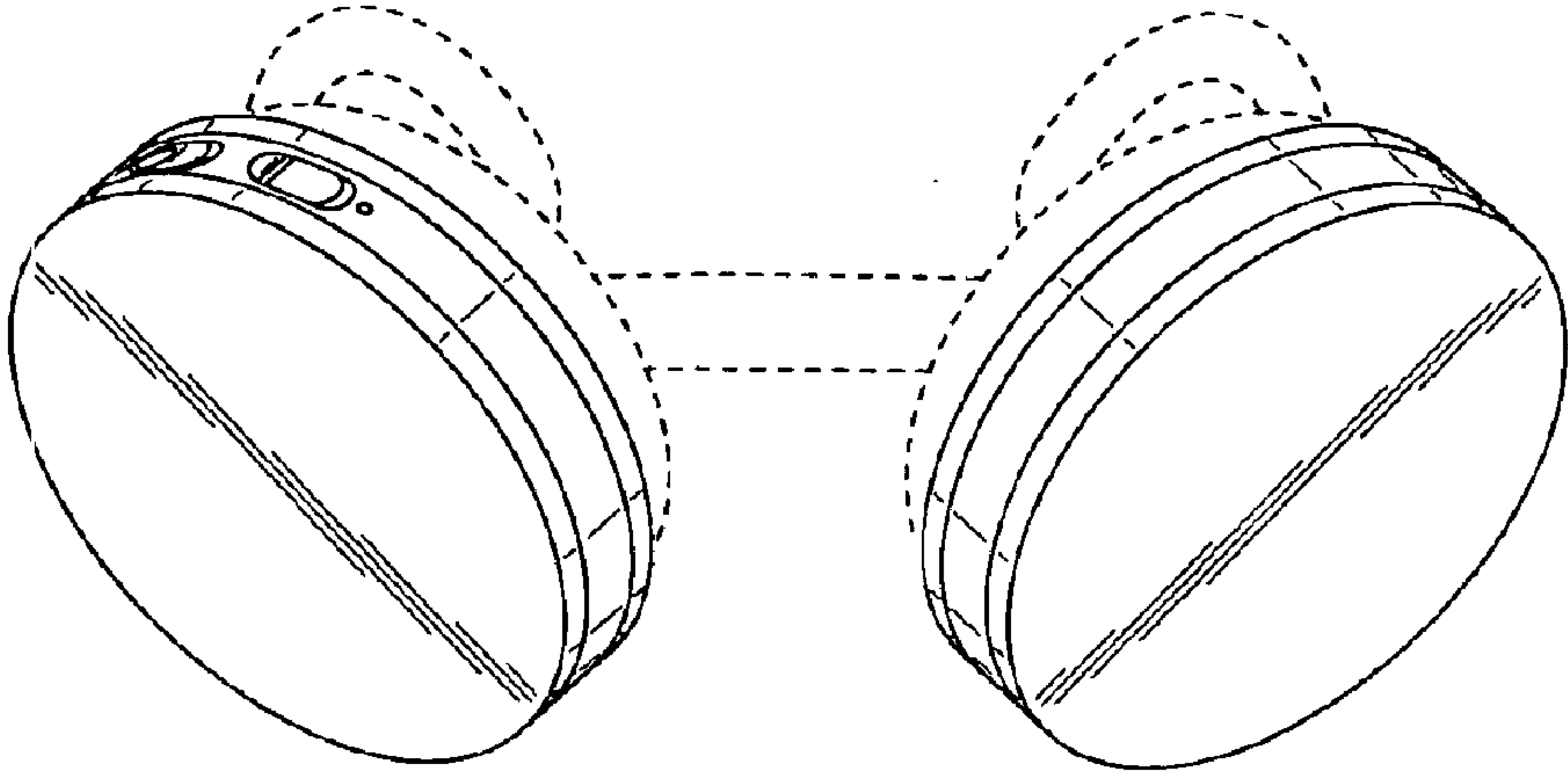


FIG. 2

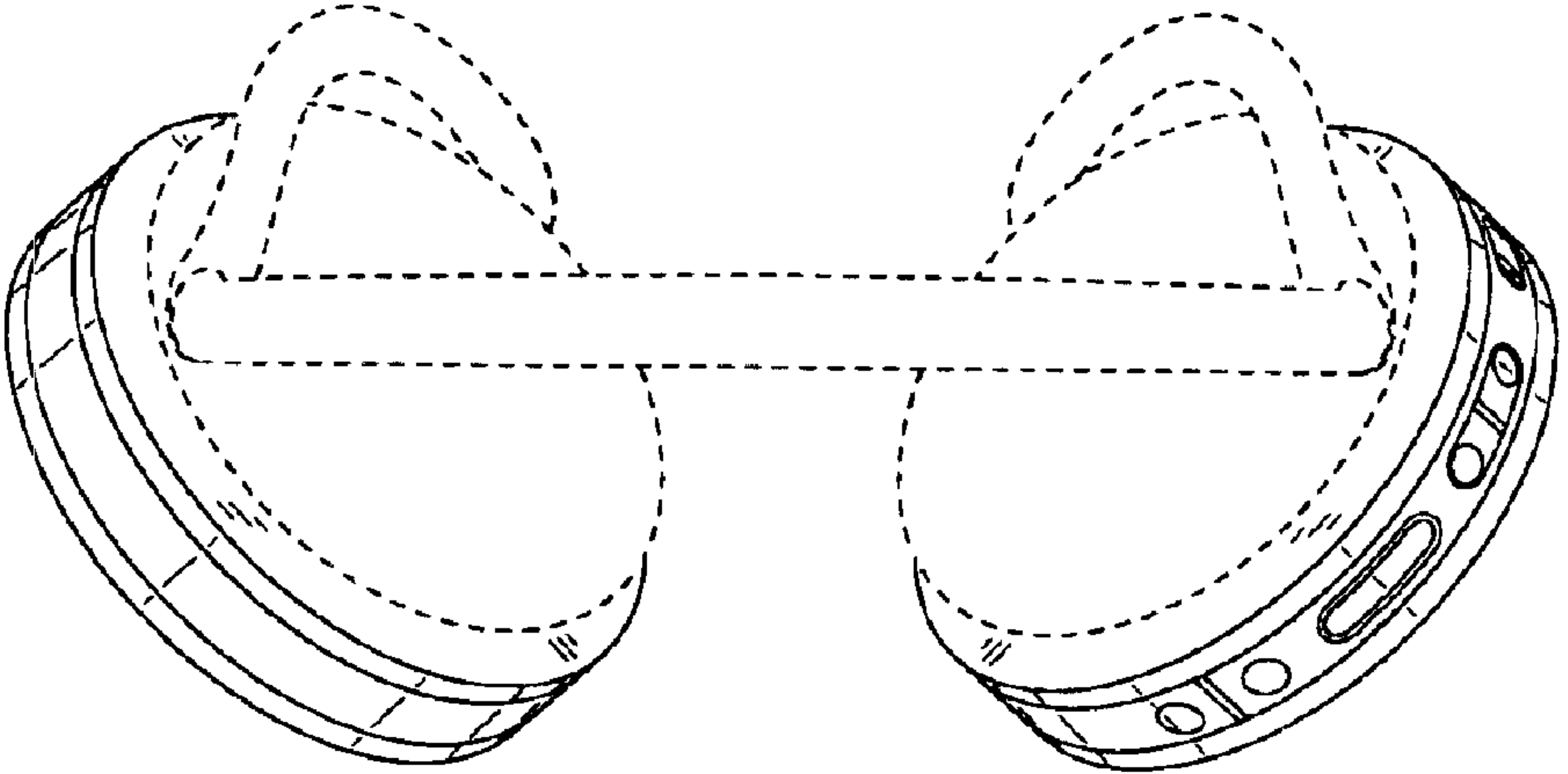


FIG. 3

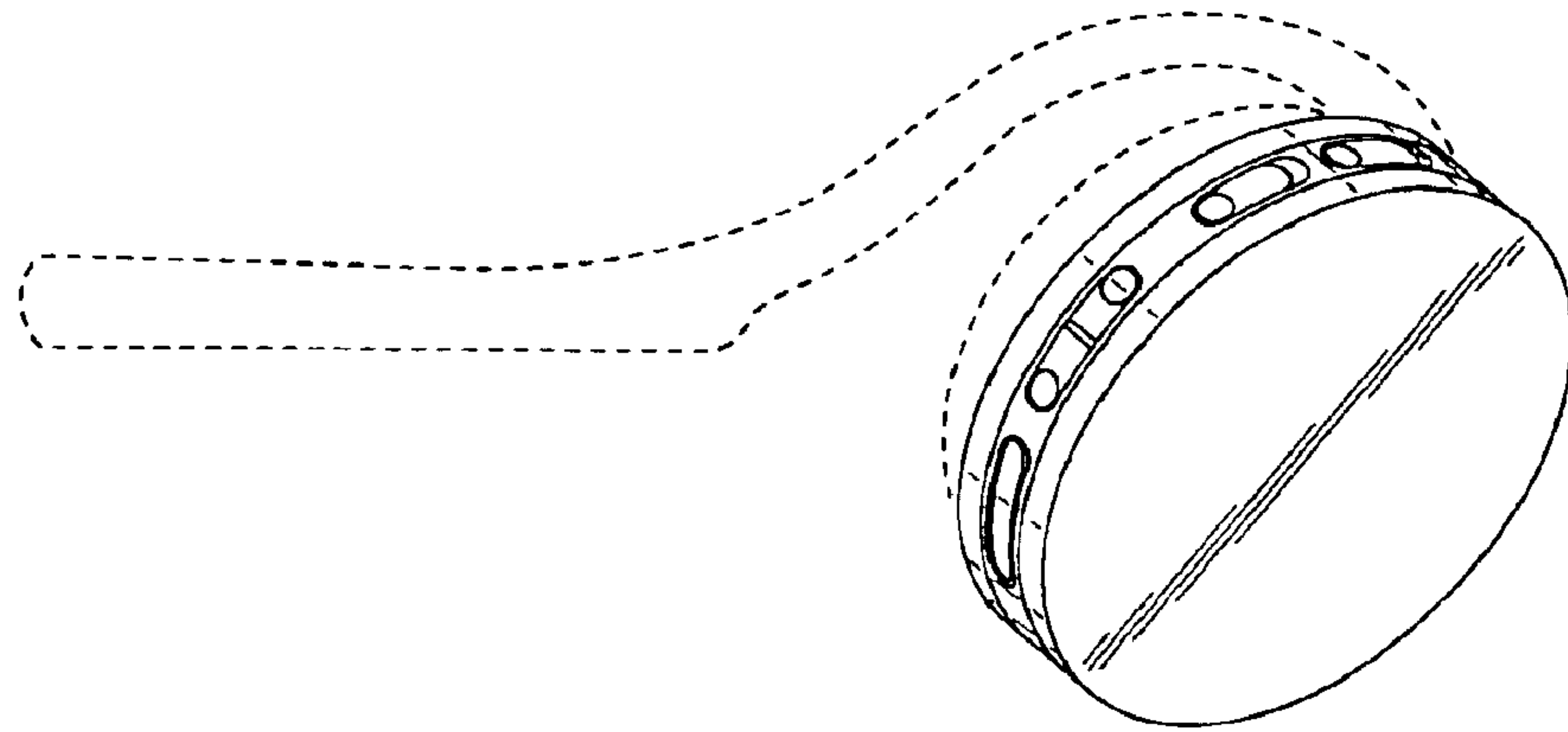


FIG. 4

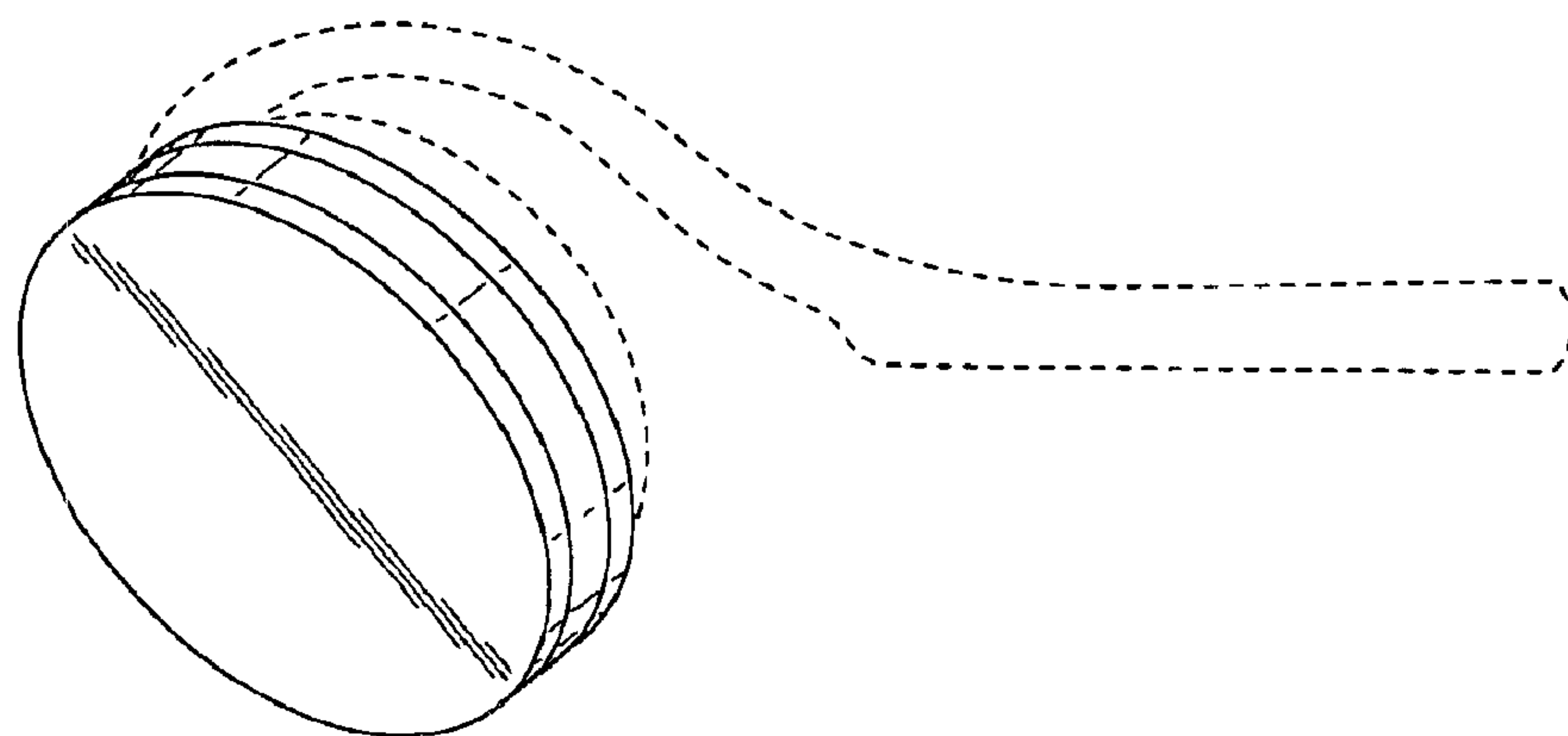


FIG. 5

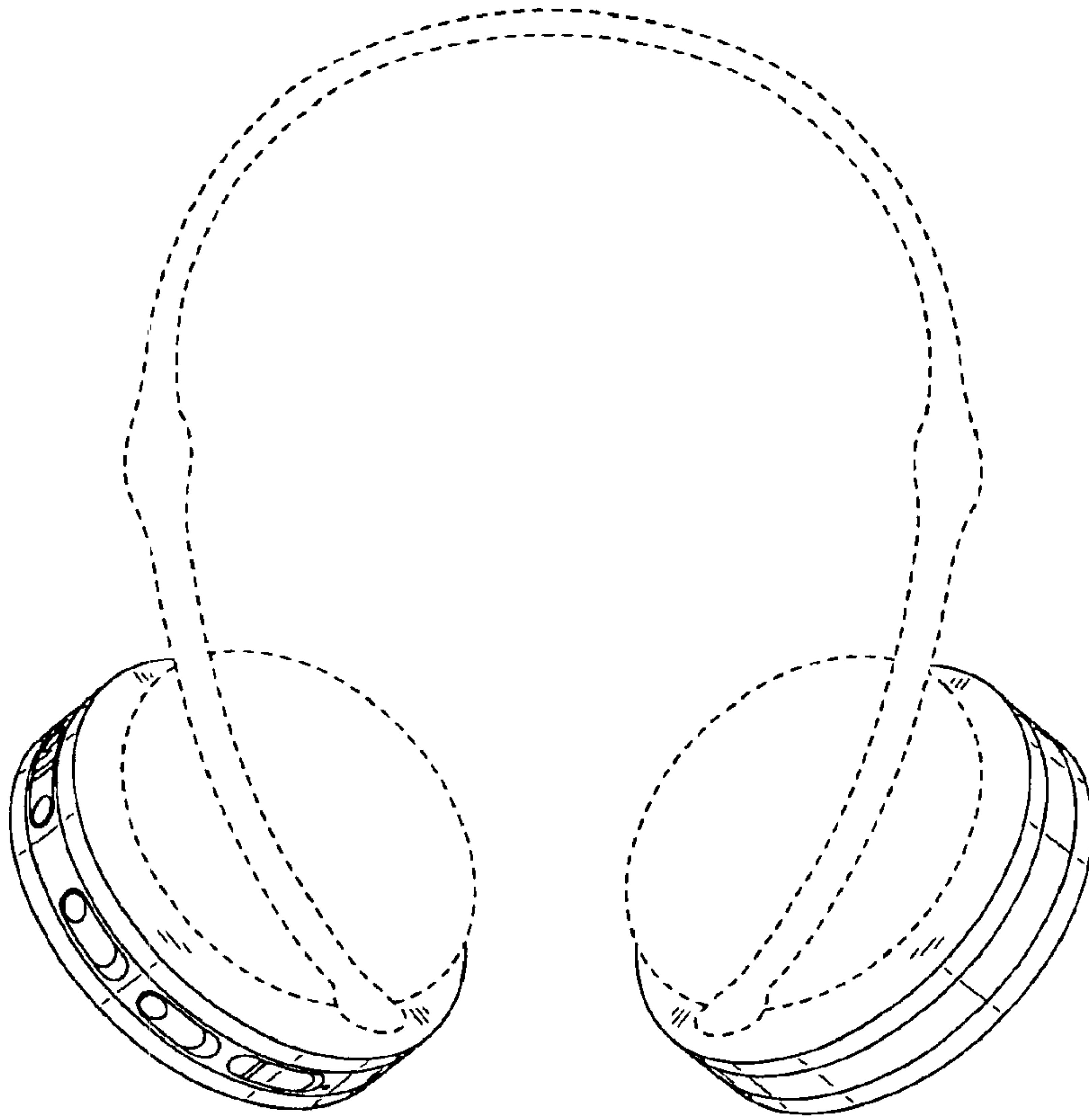


FIG. 6

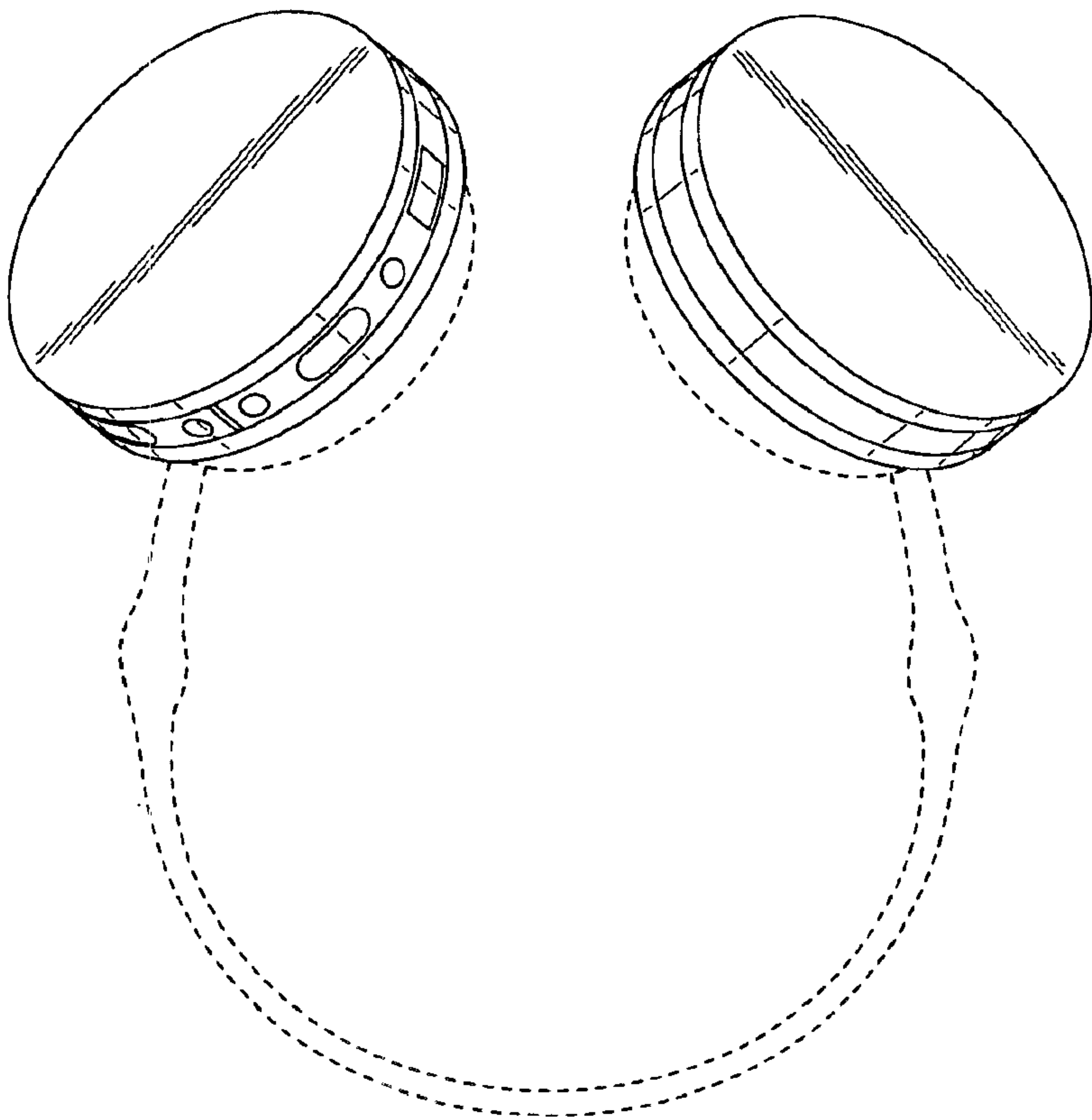


FIG. 7